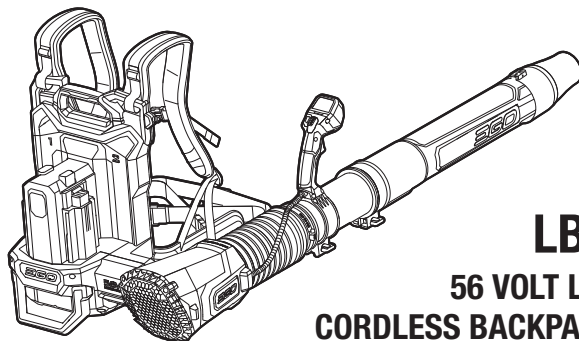


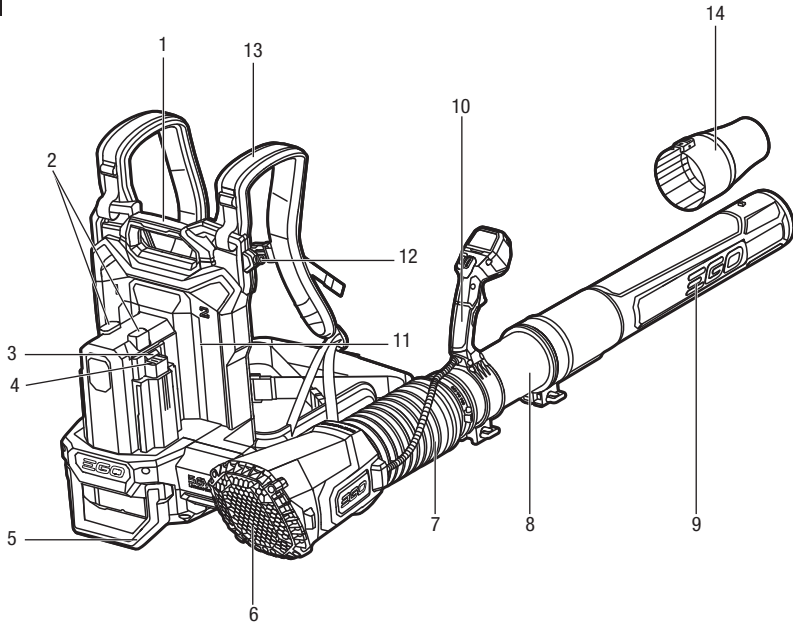
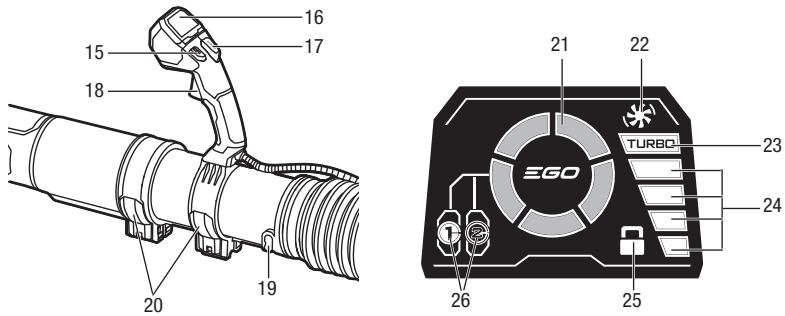
EGO™

POWER⁺ BACKPACK BLOWER

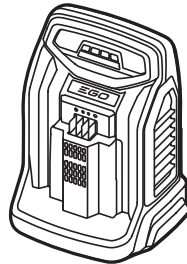


LBP8000E 56 VOLT LITHIUM-ION CORDLESS BACKPACK BLOWER

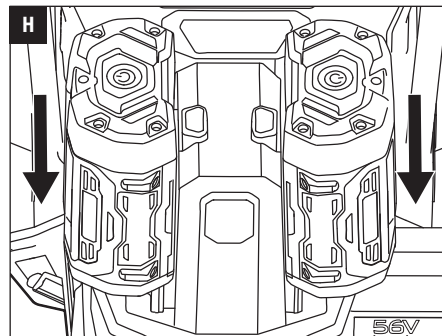
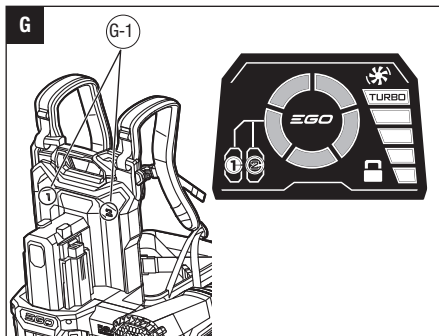
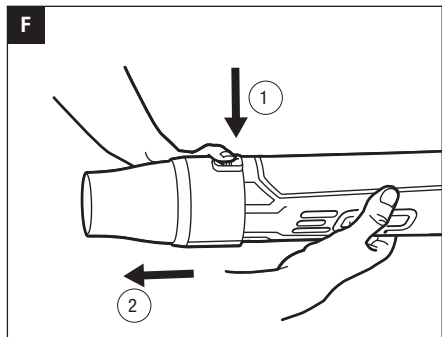
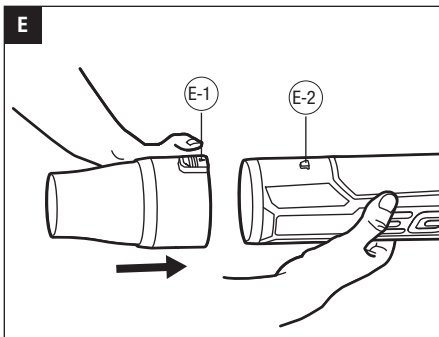
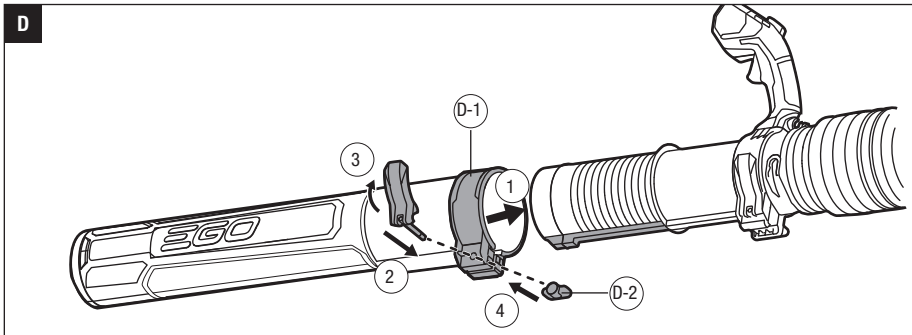
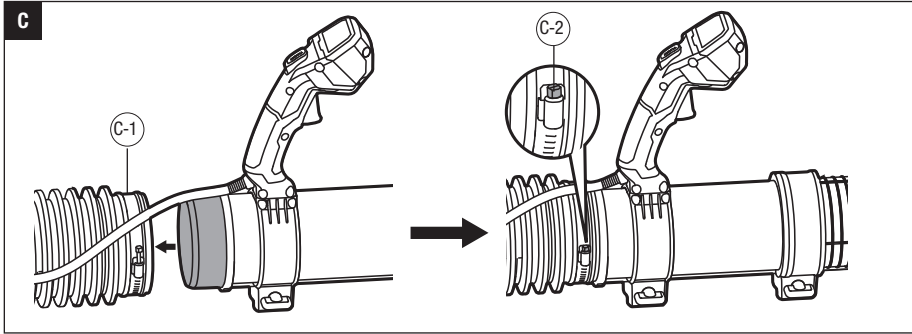
EN	56 Volt lithium-ion cordless Backpack blower	7	SL	56-Voltni litij-ionski brezžični nahrbtni puhalnik	126
DE	Rückentragbarer laubbläser mit 56 volt lithium-ionen-akku	14	LT	Akumulatorinis ant nugaros nešiojamas pūstuvus su 56 v ličio jonų akumuliatoriumi	133
FR	Souffleur à dos sans fil lithium-ion 56 v	21	LV	56 Voltu litija jonu bezvadu mugursomas tipa pūtējs	140
ES	Soplador inalámbrico de mochila con batería de iones de litio de 56 voltios	28	GR	Ασπυματος φυσηκτηρας πλατης ιοντων λιθιου 56 volt	147
PT	Soprador de mochila sem fios de ião de lítio de 56 volts	35	TR	56 Volt lityum-iyon kablosuz sirt tipi üfleyci	154
IT	Soffiatore a zaino cordless li-ion 56 volt	42	ET	56-Voldine liitiumioonakutoitega seljaskantav puhur	161
NL	56 Volt lithium-ion accu rugzak bladblazer	49	UK	56-Вольтна літій-іонна наплічна акумуляторна повітродувка	168
DK	Batteridrevet rygsæk-løvblæser med 56 volt lithium-ion-batteri	56	BG	56 Волта литиево-йонна безкабелна въздуходувка с раница	175
SE	56 Volts sladdlös ryggsäcksblåsar	63	HR	Baterijsko puhalo s 56 voltnom litij-ionskom baterijom i naprtnjačom	182
FI	Akkukäyttöinen 56 voltin selässä kannettava litium-ionipuhallin	70	KA	56 ვოლტიანი ლითიუმ-იონის აკუმულატორიანი უსადენო ელექტრო საბერველა-ჭურჭანთა	189
NO	56 Volt lithium-ion traddløs ryggsekkbløser	77	SR	Bežični ranac duvač sa litijum-jonskom baterijom od 56 volti	197
RU	Беспроводная ранцевая воздуходувка с литий-ионным аккумулятором 56 в	84	BS	Akumulatorski puhač lišća s lednom litij-ionskom baterijom od 56 v	204
PL	Akumulatorowa dmuchawa plecakowa z baterią litowo-jonową 56 woltów	91	HE	מפוח גב אלחוטי עם סוללת ליתיום-יון 56 וולט	223
CZ	56voltový lithium-iontový akumulátorový zádočný foukač	98	AR	منفاخ لاسلكي محمول على الظهر ببطارية ليثيوم-أيون 56 فولت	217
SK	56 V lítium-iónové akumulátorové chrbtové dúchadlo	105			
HU	56 Voltos vezeték nélküli, lítium-ion háti lombfúvó	112			
RO	Suflantă cu suport de spată și acumulator de litiu ion de 56 volți	119			

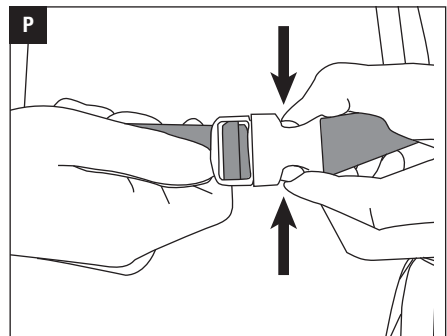
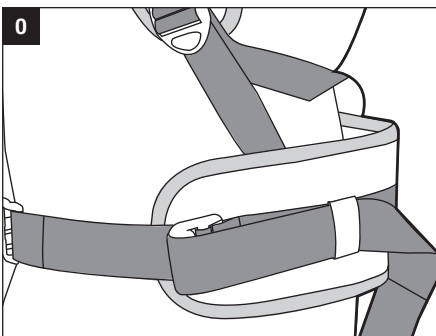
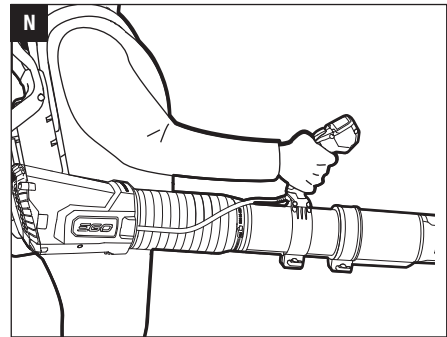
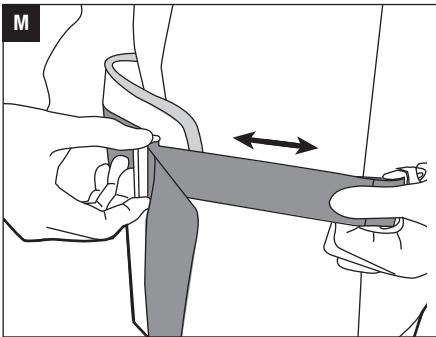
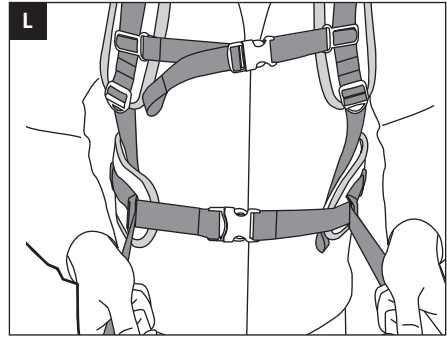
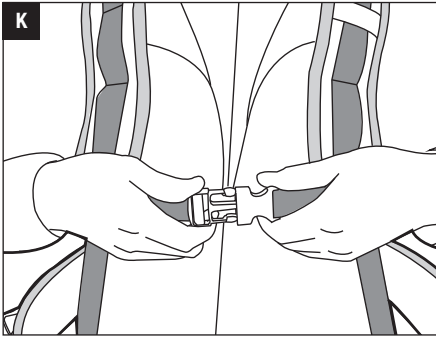
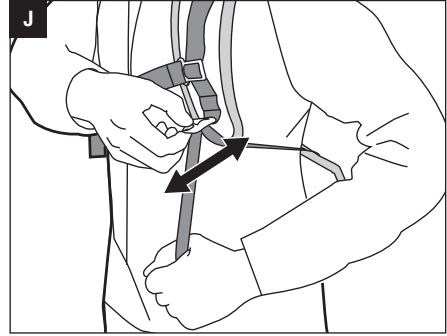
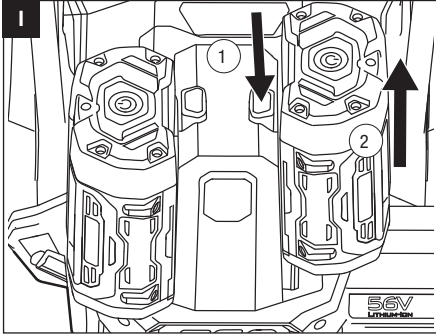
A1**A2****B**

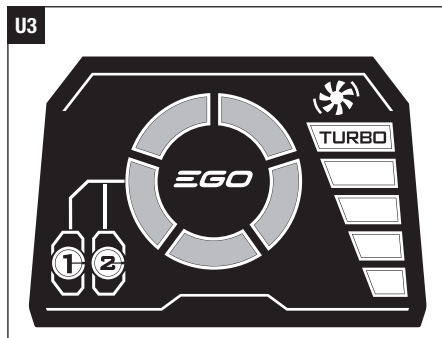
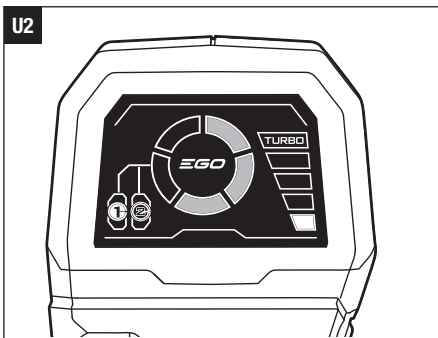
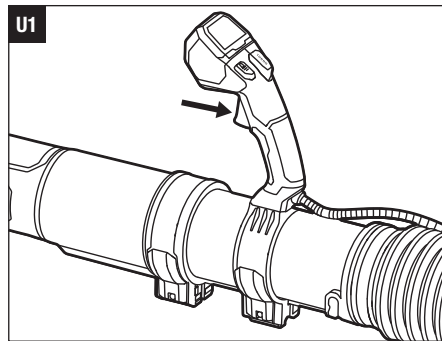
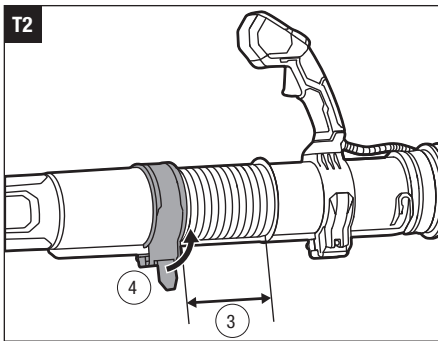
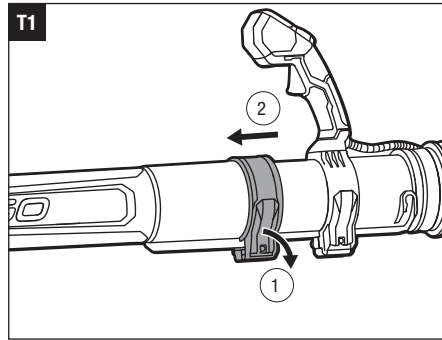
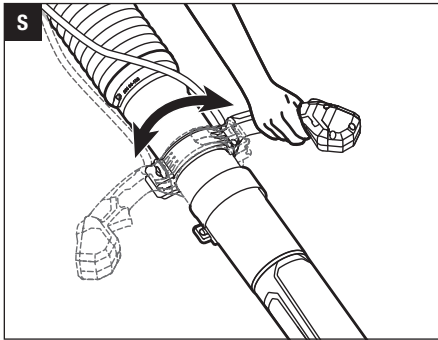
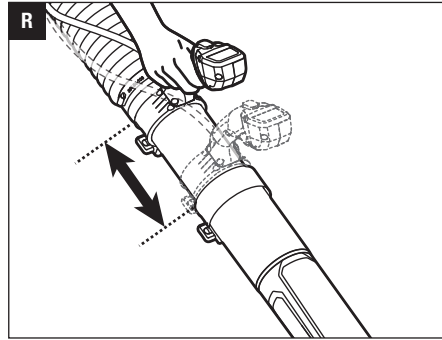
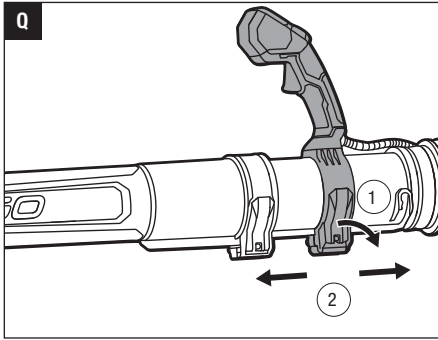
BA1400, BA1400T,
BA2240T, BA2242T,
BA2800, BA2800T,
BA4200, BA4200T,
BA3360T, BA5600T,
BA6720T



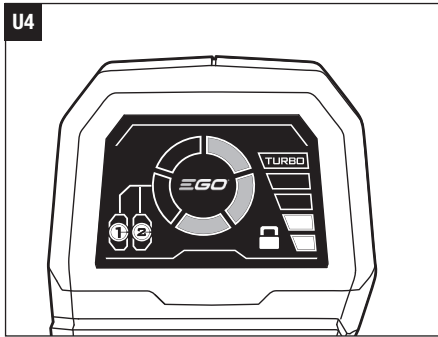
CH5500E,
CH2100E,
CH3200E,
CH7000E



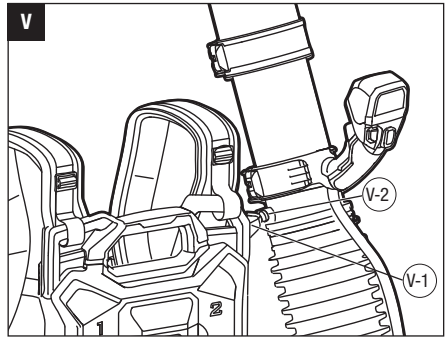




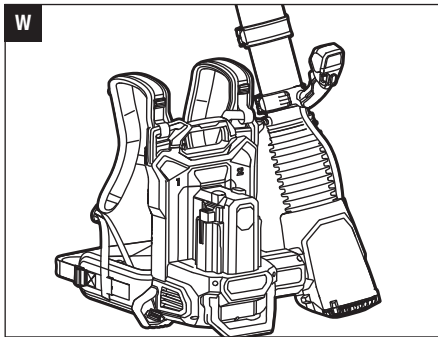
U4



V



W



READ ALL INSTRUCTIONS!

EN



READ OPERATOR'S MANUAL

NOTICE: These instructions shall also be available in an alternative format, e.g. on a website.

⚠ Residual risk! People with electronic devices, such as pacemakers, should consult their physician(s) before using this product. Operation of electrical equipment in close proximity to a heart pacemaker could cause interference or failure of the pacemaker.

⚠ WARNING: To ensure safety and reliability, all repairs and replacements should be performed by a qualified service technician.

SAFETY SYMBOLS

The purpose of safety symbols is to attract your attention to possible dangers. The safety symbols and the explanations with them deserve your careful attention and understanding. The symbol warnings do not, by themselves, eliminate any danger. The instructions and warnings they give are no substitutes for proper accident prevention measures.

⚠ WARNING: Be sure to read and understand all safety instructions in this Operator's Manual, including all safety alert symbols such as "**DANGER**," "**WARNING**," and "**CAUTION**" before using this tool. Failure to following all instructions listed below may result in electric shock, fire, and/or serious personal injury.

DAMAGE PREVENTION AND INFORMATION MESSAGES

These inform the user of important information and/or instructions that could lead to equipment or other property damage if they are not followed. Each message is preceded by the word "**NOTICE**", as in the example below:

NOTICE: Equipment and/or property damage may result if these instructions are not followed.



⚠ WARNING: The operation of any power tools can result in foreign objects being thrown into your eyes, which can result in severe eye damage. Before beginning power tool operation, always wear safety goggles or safety glasses with side shields and a full face shield when needed. We recommend a Wide Vision Safety Mask for use over eyeglasses or standard safety glasses with side shields.

EN SAFETY INSTRUCTIONS

This page depicts and describes safety symbols that may appear on this product. Read, understand, and follow all instructions on the machine before attempting to assemble and operate.



Safety Alert



Always wear safety goggles or safety glasses with side shields and a full face shield when operating this product.



Always wear ear protection when operating this product.



To reduce the risk of injury, user must read operator's manual before using this product.



Keep all bystanders at least 15m away.



This product is in accordance with applicable EC directives.



This product is in accordance with applicable UK legislation.



Waste electrical products should not be disposed of with household waste. Take to an authorized recycler.

V Volt

A Amperes

Hz Hertz

W Watt

min Minutes

m³/h Cubic Meter Per Hour

km/h Kilometers Per Hour

 Direct Current

n₀ No Load Speed

.../min Per Minute

IPX5 Protection From Water Jets

SPECIFICATIONS

Voltage	56 V
Maximum Air Volume	1360 m ³ /h
Maximum Air Velocity	85 m/s
Maximum Blower Force	26 N
Recommended Operating Temperature	-15°C-40°C
Recommended Storage Temperature	-20°C-70°C
Blower Weight (Without battery with tube)	7.4 kg
Measured sound power level L _{WA}	97 dB(A) K=1.2 dB(A)
Sound pressure level at operator's ear L _{PA}	86.2 dB(A) K=2.5 dB(A)
Guaranteed sound power level L _{WA} (according to 2000/14/EC)	98 dB(A)
Vibration a _n	0.4 m/s ² K=1.5 m/s ²

- The declared vibration total value has been measured in accordance with a standard test method and may be used for comparing one tool with another;
- The declared vibration total value may also be used in a preliminary assessment of exposure.

NOTICE: The vibration emission during actual use of the power tool can differ from the declared value in which the tool is used; In order to protect the operator, user should wear gloves and ear protectors in the actual conditions of use.

PACKING LIST (FIG. A1)

DESCRIPTION

KNOW YOUR BLOWER (Fig. A1 & A2)

1. Handle
2. Battery-Release Buttons
3. Latch
4. Electric Contacts
5. Assist Handle
6. Air Inlet
7. Bellows
8. Control-handle Tube
9. Blower Tube
10. Control Handle
11. Backpack Plate
12. Blower-tube Storage Knob
13. Adjustable Support Harness
14. Tapered Nozzle
15. Cruise Control Button
16. LCD Screen
17. Turbo Button
18. Trigger Switch
19. Tube-hanging Groove
20. Quick-release Lever
21. Fuel Gauge
22. Fan Icon
23. Turbo Indicator
24. Air-speed Indicator
25. Cruise Control Icon
26. Battery Icon

⚠ WARNING: The safe use of this product requires an understanding of the information on the tool and in this instruction manual as well as knowledge of the project you are attempting. Before use of this product, familiarize yourself with all operating features and safety rules.

ASSEMBLY

⚠ WARNING: If any parts are damaged or missing, do not operate this product until the parts are replaced. Use of this product with damaged or missing parts could result in serious personal injury.

⚠ WARNING: Do not attempt to modify this product or create accessories not recommended for use with this blower. Any such alteration or modification is misuse and could result in a hazardous condition leading to possible serious personal injury.

⚠ WARNING: To prevent accidental starting that could cause serious personal injury, always remove the batteries from the tool when assembling parts.

ASSEMBLING THE BLOWER TUBES

Connecting the Control-handle Tube Assembly to the Bellows (Fig. C)

1. Insert the upper end of the control-handle tube into the bellows as far as it will go.

2. Fully tighten the screw in the clamping collar on the bellows.

C-1	Clamping Collar
C-2	Screw

Connecting the Blower Tube to the Control-handle Tube (Fig. D)

1. Loosen and remove the quick-release lever and wing nut from the tube clamp assembly fixed on the blower tube.

D-1	Tube Clamp
D-2	Wing Nut

2. Align the groove in the blower tube with the rib on the control-handle tube, slide the blower tube over the control-handle tube as far as it will go.
3. Insert the pin of the quick-release lever and close the lever onto the tube clamp.
4. Tighten the wing nut to secure the tube clamp in place.

Connecting the Tapered Nozzle to the Blower Tube (Fig. E, F)

1. Align the groove in the nozzle with the latch on the tube. Push the nozzle over the tube until it securely snaps into place.
2. To remove the nozzle, press and hold the nozzle-release button to disengage the latch, then pull the nozzle straight away from the blower tube.

E-1	Nozzle-release Button
E-2	Latch

OPERATION

⚠ WARNING: Do not allow familiarity with this product to make you careless. Remember that a careless fraction of a second is sufficient to inflict serious injury.

⚠ WARNING: Do not use any attachments or accessories not recommended by the manufacturer of this product. The use of attachments or accessories not recommended can result in serious personal injury.

⚠ WARNING: Always remove the batteries from the product when you are assembling parts, making adjustments, cleaning, or when not in use. Removing the batteries will prevent accidental starting that could cause serious personal injury.

Before each use, inspect the entire product for damaged,

missing, or loose parts, such as screws, nuts, bolts, caps, etc. Tighten securely all fasteners and caps and do not operate this product until all missing or damaged parts are replaced.

⚠ WARNING: If you encounter an emergency, separate the chest buckle straightly to take off the blower.

APPLICATION

You may use this product for the purposes listed below:

- Clearing hard surfaces such as driveways and walkways.
- Keeping decks and driveways free from leaves and pine needles.

NOTICE: The tool is to be used only for its prescribed purpose. Any other use is deemed to be a case of misuse.

INSTALLING/REMOVING THE BATTERIES

CHARGE BEFORE FIRST USE.

Use only with batteries and chargers listed fig.B.

NOTICE: For best performance, we recommend use of any EGO 56V battery with a capacity higher than 5.0 Ah.

The blower has two active battery compartments on the left and right side of the battery compartment housing.

NOTE: The blower can operate with one or two batteries. Using two batteries gives you a longer run time and efficient power draw managed by PEAK POWER™ technology.

If a battery has been inserted into battery compartment marked with 1 or 2 on the backpack plate, the corresponding battery icon illuminates on the LCD screen (Fig. G) after you turn on the blower.

G-1	Battery Compartment Position Mark
-----	-----------------------------------

■ To Install (Fig. H)

Align the battery ribs with the mounting slots and press the battery down until you hear a “click”. Repeat the process to install the second battery.

■ To Remove (Fig. I)

Depress the battery-release buttons and pull the batteries out.

⚠ WARNING: Always take care to note the location of your feet, children, or pets when pressing the battery-release button. Serious injury could result if the battery falls. NEVER remove the battery when in a high location.

POSITIONING THE BACKPACK BLOWER

⚠ WARNING: Dress properly to reduce the risk of injury when operating this tool. Do not wear loose clothing

or jewelry. Wear eye and ear/hearing protection. Wear heavy, long pants, boots and gloves. Do not wear short pants or sandals or go barefoot.

To Adjust The Support Harness

1. Put your arms through the shoulder straps to support the blower on your back.
2. Adjust both shoulder straps until you feel comfortable with the blower on your back (Fig. J).
3. Snap the chest buckle and adjust its length if necessary (Fig. K).
4. Snap the waist buckle and adjust its length so that the backpack is securely supported by your hips (Fig. L & M).
5. Readjust the shoulder straps for security and comfort. Makes sure that the backpack sits securely on your back, with the weight supported by the waist strap, and without excess movement when you move (Fig. N).
6. Insert any extra length of belt around the waist into the elastic on both sides (Fig. O).
7. To detach the tool from your back, just press the waist and chest buckles to release them (Fig. P).

To Adjust the Control Handle

1. Release the quick-release lever to move the control handle forward or backward as needed (Fig. Q & R) and then engage the quick-release lever to secure the handle in place.
2. You may also rotate the handle as needed for comfort (Fig. S).

To Adjust the Control-handle Tube Length (Fig. T1, T2)

1. Release the quick-release lever to move the blower tube to a comfortable operating position.
2. Engage the quick-release lever to secure the blower tube in place

STARTING/STOPPING THE BLOWER

Trigger Switch (Fig. U1, U2)

- Depress the trigger switch to turn on the blower. The LCD screen displays the fuel gauge, battery icon, air speed indicator.
- The air speed of the blower is controlled with the trigger switch. The further the trigger switch is depressed, the more air flows out of the nozzle. Adjust the speed to suit the task at hand. The corresponding air speed icon displays on the LCD screen.
- Release the trigger to turn off the blower. After 6 seconds the LCD screen turns off.

Turbo Mode

With the trigger depressed and held, press the turbo button to maximize the airflow (Fig. U1). The turbo indicator and the fan icon illuminates on the LCD screen (Fig. U3).

NOTE: The blower returns to the previous speed when the turbo button is released.

Cruise Control Model

The cruise control mode offers operations without trigger switch.

To engage the cruise control mode:

1. Depress and hold the trigger switch at the desired speed (Fig. U1).
2. Press the cruise control button. Release the button after the cruise control icon appears on the LCD screen (Fig. U4).
3. Release the trigger switch, the blower keeps running. Press the turbo button under cruise control mode can temporarily increase the air speed to the maximum level. The blower resumes the previous speed when the turbo button is released.

To disengage the cruise control mode:

Press the cruise control button again to disengage the cruise control mode. The cruise control icon on the LCD screen disappears.

Tips For Using The Blower

- Use rakes and brooms to loosen debris before blowing. In dusty conditions, slightly dampen surfaces if water is available.
- Watch out for children, pets, open windows, or freshly washed cars, and blow debris safely away.
- After using blowers or other equipment, clean up!

MAINTENANCE

⚠ WARNING: When servicing, use only identical replacement parts. Use of any other parts may create a hazard or cause product damage. To ensure safety and reliability, all repairs should be performed by a qualified service technician.

⚠ WARNING: To avoid serious personal injury, always remove the battery from the product when cleaning or performing any maintenance.

GENERAL MAINTENANCE

Avoid using solvents when cleaning plastic parts. Most plastics are susceptible to damage from various types of

EN

commercial solvents and may be damaged by their use. Use clean cloths to remove dirt, dust, oil, grease, etc.

⚠ WARNING: Do not at any time let brake fluids, petrol, petroleum-based products, penetrating oils, etc., come in contact with plastic parts. Chemicals can damage, weaken or destroy plastic which may result in serious personal injury.

STORAGE

- Remove the battery from the blower.
- Clean all foreign material from the air inlets of the blower.
- Align the blower-tube storage knob with the tube-hanging groove and hook the blower tube onto the battery compartment housing (Fig. V & W).
- Store in an enclosed space that is inaccessible to children. Keep away from corrosive agents, such as garden chemicals and de-icing salts.

V-1	Blower-Tube Storage Knob
V-2	Tube-Hanging Groove

Protecting the environment



Do not dispose of electrical equipment, used battery and charger into household waste!

Take this product to an authorized recycler and make it available for separate collection. Electric tools must be returned to an environmentally compatible recycling facility.

TROUBLESHOOTING

EN

PROBLEM	CAUSE	SOLUTION
Blower doesn't work.	<ul style="list-style-type: none">■ No electrical contact between the blower and batteries.■ The batteries are depleted.■ The batteries or blower is too hot.	<ul style="list-style-type: none">■ Remove battery, check contacts and reinsert the battery.■ Charge the batteries.■ Cool the batteries and blower until the temperature drops below 67°C.
The air velocity decreases significantly.	<ul style="list-style-type: none">■ The air inlet is blocked by debris.■ Excessive wearing of motor fan.	<ul style="list-style-type: none">■ Remove the batteries, clear the debris.■ Contact EGO service center for repair.
LCD Screen Fault.	<ul style="list-style-type: none">■ LCD assembly is broken or bad wire connection of the LCD assembly.	<ul style="list-style-type: none">■ Contact EGO service center for repair.

WARRANTY

EGO WARRANTY POLICY

Please visit the website egopowerplus.com for full terms and conditions of the EGO Warranty policy.

**LESEN SIE DIE BETRIEBSANLEITUNG**

HINWEIS: Diese Anleitung wird auch in anderen Formaten zur Verfügung gestellt, z.B. auf einer Website.

⚠ Restrisiko! Menschen mit elektronischen Geräten, wie z.B. Herzschrittmachern, sollten ihren Arzt konsultieren, bevor sie dieses Gerät verwenden. Die Bedienung von Elektrogeräten in unmittelbarer Nähe zu Herzschrittmachern kann zu Interferenzen und Störungen des Schrittmachers führen.

⚠ WARNUNG: Um die Sicherheit und Zuverlässigkeit zu gewährleisten, sollten alle Reparaturen und der Austausch von Teilen nur von qualifizierten Servicetechnikern durchgeführt werden.

WARNSYMBOLE

Der Zweck von Warnsymbolen besteht darin, Ihre Aufmerksamkeit auf mögliche Gefahren zu lenken. Die Warnsymbole und deren Erklärungen verdienen Ihre vollste Aufmerksamkeit und Beachtung. Durch die Warnsymbole allein sind die Gefahren noch nicht ausgeschaltet. Die Anweisungen und Warnhinweise stellen keinen Ersatz für angemessene Unfallverhütungsmaßnahmen dar.

⚠ WARNUNG: Vor der Benutzung des Geräts sollten Sie alle Sicherheitsanweisungen in dieser Bedienungsanleitung gelesen und verstanden haben. Das gilt auch für die Sicherheits- und Gefahrenzeichen wie „**VORSICHT**“, „**WARNUNG**“ und „**ACHTUNG**“. Die Nichtbeachtung sämtlicher Anweisungen kann zu Stromschlägen, Feuer und/oder schweren Verletzungen führen.

SCHADENSVERHÜTUNG UND WICHTIGE HINWEISE

Die Hinweise informieren den Benutzer über wichtige Sachverhalte oder Anweisungen, die zur Beschädigung der Ausrüstung oder zu anderen Sachschäden führen können, wenn sie nicht befolgt werden. Jeder wichtige Hinweis wird, wie in dem Beispiel unten, durch das Wort „**HINWEIS**“ angeführt:

HINWEIS: Schäden an der Ausrüstung und/oder andere Sachschäden können entstehen, wenn die Anweisungen nicht befolgt werden.



⚠ WARNUNG: Beim Betrieb von Elektrowerkzeugen besteht die Gefahr, dass Fremdkörper in Ihre Augen geschleudert werden und Sie dadurch schwerwiegende Augenschäden davontragen. Tragen Sie immer eine Schutzbrille, wenn möglich mit Seitenschutz, oder, falls nötig, einen vollen Gesichtsschutz, bevor Sie Arbeiten mit dem Elektrowerkzeug verrichten. Wir empfehlen Ihnen, einen Gesichtsschutz über Ihrer eigenen Brille oder eine herkömmliche Schutzbrille mit Seitenschutz zu tragen.

SICHERHEITSHINWEISE

Auf dieser Seite werden die Warnsymbole vorgestellt und beschrieben, die sich unter Umständen an dem Gerät befinden. Vor dem Zusammenbau und der Inbetriebnahme müssen sämtliche Anweisungen am Gerät gelesen und genau befolgt werden.

DE



Sicherheitswarnung



Tragen Sie immer eine Schutzbrille, möglichst mit Seitenschutz, und einen vollständigen Gesichtsschutz, wenn Sie das Gerät bedienen.



Tragen Sie immer einen Gehörschutz, wenn Sie das Gerät bedienen.



Um das Verletzungsrisiko zu verringern, muss der Benutzer die Bedienungsanleitung vor der Verwendung des Gerätes gelesen haben.



Halten Sie alle unbefugten Personen mindestens 15 m fern.



Dieses Produkt erfüllt die einschlägigen CE-Richtlinien.



Dieses Produkt erfüllt die einschlägigen Vorschriften in GB.



Elektrische Altgeräte dürfen nicht im Hausmüll entsorgt werden. Bringen Sie das Gerät zu einem Wertstoffhof bzw. zu einer amtlichen Sammelstelle.

V Volt

A Ampere

Hz Hertz

W Watt

min Minuten

m³/h Kubikmeter pro Stunde

km/h Kilometer pro Stunde

≡ Gleichstrom

n₀ Leerlaufdrehzahl

.../min pro Minute

IPX5 Schutz vor Wasserstrahlen

TECHNISCHE DATEN

DE

Spannung	56 V 
Maximale Luftmenge	1360 m ³ /h
Maximale Luftgeschwindigkeit	85 m/s
Maximale Gebläsekraft	26 N
Empfohlene Betriebstemperatur	-15 - 40°C
Empfohlene Lagertemperatur	-20°C - 70°C
Laubbläser-Gewicht (Ohne Akku mit Schlauch)	7,4 kg
Gemessener Schalleistungspegel L _{WA}	97 dB(A) K=1,2 dB(A)
Schalldruckpegel am Ohr des Bedieners L _{PA}	86,2 dB(A) K=2,5 dB(A)
Garantierter Schalleistungspegel L _{WA} (gemäß 2000/14/EG)	98 dB(A)
Vibration a _h	0,4 m/s ² K=1,5 m/s ²

- Der angegebene Vibrationsgesamtwert wurde nach einem Standard-Prüfverfahren gemessen und kann zum Vergleich mit einem anderen Werkzeug herangezogen werden.
- Der angegebene Vibrationsgesamtwert kann auch zur vorläufigen Risikobewertung herangezogen werden.

HINWEIS: Die beim Einsatz des Elektrowerkzeugs entstehenden Istvibrationen können von dem angegebenen Wert abweichen. Zum Schutz des Benutzers sollten Handschuhe und ein Gehörschutz während des Geräteinsatzes getragen werden.

PACKLISTE (ABB. A1)

BESCHREIBUNG

AUFBAU (Abb. A1 und A2)

1. Lenkholm
2. Akku-Entriegelungstaste
3. Verschluss
4. Elektrische Kontakte
5. Zusatzgriff
6. Lufteinlass

7. Faltenbalg
8. Steuergriffrohr
9. Laubbläserrohr
10. Steuergriff
11. Rucksackplatte
12. Knopf für Bläserrohrabgewehrung
13. Verstellbare Tragegurte
14. Konische Düse
15. Tempomat-Taste
16. LC-Display
17. Turbo-Taste
18. Betriebsschalter
19. Rohraufhängungsrielle
20. Schnellspannhebel
21. Kraftstoffanzeige
22. Ventilator-Symbol
23. Turbo-Anzeige
24. Luftgeschwindigkeitsanzeige
25. Tempomat-Symbol
26. Akkusymbol

⚠️ WARNUNG: Nicht nur die Informationen an diesem Gerät und in der Bedienungsanleitung müssen bekannt sein, damit ein sicherer Geräteeinsatz gewährleistet ist. Entscheidend ist auch, welche Arbeiten damit genau ausgeführt werden sollen. Machen Sie sich vor der Nutzung dieses Geräts mit allen Funktionsmerkmalen und mit den Sicherheitsregeln vertraut.

MONTAGE

⚠️ WARNUNG: Wenn irgendwelche Teile beschädigt sind oder fehlen, verwenden Sie das Produkt nicht, bis alle Teile ersetzt worden sind. Die Verwendung dieses Produkts mit beschädigten oder fehlenden Teilen kann zu schweren Verletzungen führen.

⚠️ WARNUNG: Versuchen Sie nicht, dieses Produkt zu verändern oder Zubehörteile zu verwenden, die für den Einsatz dieses Laubbläfers nicht empfohlen werden. Jegliche Änderung oder falsche Anwendung dieses Geräts gilt als Zweckentfremdung und kann sehr riskant sein und zu möglichen schweren Körperverletzungen führen.

⚠️ WARNUNG: Um das unbeabsichtigte Starten, das zu schweren Verletzungen führen könnte, zu verhindern, entfernen Sie immer die Akkus aus dem Werkzeug, wenn Sie Teile montieren.

MONTAGE DER LAUBLÄSERROHRE

Anschließen der Steuergriffrohr-Baugruppe an den Faltenbalg (Abb. C)

1. Führen Sie das obere Ende des Steuergriffrohrs bis zum Anschlag in den Faltenbalg ein.
2. Ziehen Sie die Schraube im Klemmring des Faltenbalgs fest an.

C-1	Klemmring
C-2	Schraube

Verbinden des Laubbläserrohrs mit dem Rohr des Steuergriffs (Abb. D)

1. Lösen und entfernen Sie den Schnellspannhebel und die Flügelmutter von der am Laubbläserrohr befestigten Rohrschelle.

D-1	Rohrschelle
D-2	Flügelmutter

2. Richten Sie die Nut im Laubbläserrohr auf die Rippe am Steuergriffrohr aus und schieben Sie das Laubbläserrohr bis zum Anschlag über das Steuergriffrohr.
3. Stecken Sie den Stift des Schnellspannhebels ein und schließen Sie den Hebel auf der Rohrschelle.
4. Ziehen Sie die Flügelmutter an, um die Rohrschelle zu befestigen.

Anschluss der konischen Düse an das Laubbläserrohr (Abb. E, F)

1. Richten Sie die Nut in der Düse auf den Verschluss am Rohr aus. Schieben Sie die Düse auf das Rohr, bis sie sicher einrastet.
2. Halten Sie zum Entfernen der Düse die Düsenentriegelung gedrückt, um die Verriegelung zu lösen und ziehen Sie die Düse gerade vom Laubbläser ab.

E-1	Düsenentriegelung
E-2	Verschluss

BETRIEB

⚠️ WARNUNG: Auch wenn Sie sich mit dem Gerät auskennen, sollten Sie sich nicht zu einer gewissen Nachlässigkeit verleiten lassen. Denken Sie daran, dass ein kurzer Moment der Unachtsamkeit zu ernsthaften

Verletzungen führen kann.

⚠️ WARNUNG: Verwenden Sie keine Anbauwerkzeuge oder Zubehörteile, die nicht vom Hersteller dieses Produkts empfohlen worden sind. Der Gebrauch von nicht empfohlenen Aufsätzen oder Zubehör kann zu schweren Verletzungen führen.

⚠️ WARNUNG: Entfernen Sie immer die Akkus aus dem Produkt, wenn Sie Teile montieren, Anpassungen vornehmen, etwas säubern oder wenn das Gerät nicht benutzt wird. Das Entfernen der Akkus beugt dem unabsichtlichen Starten vor, das zu schweren Verletzungen führen kann.

Inspizieren Sie das gesamte Produkt vor jeder Benutzung auf beschädigte, fehlende oder lockere Teile, wie z. B. Schrauben, Muttern, Stifte, Kappen usw. Ziehen Sie alle Befestigungsteile und Abdeckungen an und bedienen Sie das Produkt nicht, bis alle beschädigten oder fehlenden Teile ersetzt worden sind.

⚠️ WARNUNG: Im Notfall trennen Sie den Brustgurt sofort, um den Laubbläser abzunehmen.

VERWENDUNGSZWECK

Sie können dieses Produkt für die unten aufgeführten Zwecke einsetzen:

- Freibleasen von harten Oberflächen wie Zufahrtswegen und Gehsteigen.
- Säubern von Terrassen und Zufahrten von Blättern und Kiefernadeln.

⚠️ HINWEIS: Das Gerät darf nur für den bestimmungsgemäßen Zweck verwendet werden. Jede andere Verwendung gilt als Missbrauch.

EINSETZEN/ABNEHMEN DER AKKUS

VOR DER ERSTEN GEBRAUCH AUFLADEN.

Nur mit den in Abb. B aufgeführten Akkus und Ladegeräten verwenden. B.

HINWEIS: Für eine optimale Leistung empfehlen wir die Verwendung eines EGO 56-V-Akkus mit einer Kapazität von mehr als 5,0 Ah.

Der Laubbläser hat zwei aktive Akkufächer auf der linken und rechten Seite des Akkufachgehäuses.

ANMERKUNG: Der Laubbläser kann mit einem oder zwei Akkus betrieben werden. Durch die Verwendung von zwei Akkus erhalten Sie eine längere Laufzeit und eine effiziente Leistungsaufnahme, die durch die PEAK POWER™-Technologie gesteuert wird.

Wenn ein Akku in das mit 1 oder 2 gekennzeichnete

Akkufach eingelegt wurde, leuchtet das entsprechende Batteriesymbol auf dem LC-Display auf (Abb. G), nachdem Sie den Laubbläser eingeschaltet haben.

G-1 Positionsmarkierung im Akkufach

■ Anschließen (Abb. H)

Lassen Sie die Rippen am Akkugehäuse mit den Öffnungen am Gerät fluchten und schieben Sie den Akku bis zum hörbaren Einrasten in das Gerät. Wiederholen Sie den Vorgang, um den zweiten Akku einzusetzen.

■ Abnehmen (Abb. I)

Drücken Sie die Akkuentriegelungstasten und nehmen Sie die Akkus heraus.

⚠️ WARNUNG: Achten Sie immer auf Ihre Füße und auf Kinder oder Haustiere, wenn Sie die Akkuentriegelung drücken. Das Fallenlassen des Akkus kann zu ernsthaften Verletzungen führen. Entfernen Sie den Akku NIEMALS aus einer hohen Position heraus.

POSITIONIERUNG DES RÜCKENTRAGBAREN LAUBBLÄSERS

⚠️ WARNUNG: Tragen Sie geeignete Kleidung, um das Verletzungsrisiko bei der Benutzung dieses Geräts zu reduzieren. Tragen Sie keine weite Kleidung oder Schmuck. Tragen Sie einen Augen- und Gehörschutz. Tragen Sie eine robuste lange Hose, Stiefel und Handschuhe. Tragen Sie keine kurze Hose oder Sandalen und gehen Sie nicht barfuß.

Einstellung der Tragegurte

1. Stecken Sie Ihre Arme durch die Schultergurte, um den Laubbläser auf dem Rücken zu tragen.
2. Stellen Sie beide Schultergurte so ein, dass Sie sich mit dem Laubbläser auf dem Rücken wohlfühlen (Abb. J).
3. Schließen Sie die Schnalle des Brustgurts und stellen Sie die Gurtlänge bei Bedarf ein (Abb. K).
4. Schließen Sie die Schnalle des Hüftgurts und stellen Sie die Gurtlänge so ein, dass das Tragegeschirr von Ihren Hüften sicher gestützt wird (Abb. L und M).
5. Stellen Sie die Schultergurte nach, damit sie sicher und bequem sind. Vergewissern Sie sich, dass das Tragegeschirr sicher auf Ihrem Rücken sitzt und beim Bewegen nicht rutscht und das Gewicht vom Hüftgurt getragen wird (Abb. N).
6. Stecken Sie den überschüssigen Hüftgurt in die Gummilösen auf beiden Seiten (Abb. O).
7. Zum Abnehmen des Geräts von Ihrem Rücken brauchen Sie lediglich die Schnallen des Hüft- und

Brustgurts zu öffnen (Abb. P).

Einstellung des Steuergriffs

1. Lassen Sie den Schnellspannhebel los, um den Steuergriff nach Bedarf vorwärts oder rückwärts zu bewegen (Abb. Q und R), und lassen Sie dann den Schnellspannhebel einrasten, um den Griff zu sichern.
2. Der Griff lässt sich für noch besseren Komfort auch drehen (Abb. S).

Einstellung der Länge des Steuergriffrohrs (Abb. T1, T2)

1. Lassen Sie den Schnellspannhebel los, um das Laubbläserrohr in eine bequeme Betriebsposition zu bringen.
2. Lassen Sie den Schnellspannhebel einrasten, um das Laubbläserrohr zu befestigen.

STARTEN/STOPPEN DES LAUBBLÄSERS

Auslöseschalter (Abb. U1, U2)

- Drücken Sie den Auslöseschalter, um den Laubbläser einzuschalten. Das LC-Display zeigt die Kraftstoffanzeige, das Batteriesymbol und die Luftgeschwindigkeitsanzeige an.
- Die Luftgeschwindigkeit des Laubbläfers wird mit dem Auslöseschalter gesteuert. Je weiter der Auslöseschalter gedrückt wird, desto mehr Luft strömt aus der Düse. Stellen Sie die Gebläsestufe entsprechend ein. Das entsprechende Symbol für die Luftgeschwindigkeit wird auf dem LC-Display angezeigt.
- Lassen Sie den Auslöseschalter los, um den Laubbläser auszuschalten. Nach 6 Sekunden schaltet sich das LC-Display aus.

Turbo-Modus

Halten Sie den Auslöseschalter gedrückt und drücken Sie die Turbotaste, um die Luftgeschwindigkeit zu maximieren (Abb. U1). Die Turboanzeige und das Ventilatorsymbol leuchten auf dem LC-Display auf (Abb. U3).

ANMERKUNG: Der Laubbläser kehrt auf die vorherige Luftgeschwindigkeit zurück, wenn die Turbotaste losgelassen wird.

TEMPOMAT-Modus

Der Tempomat-Modus ermöglicht den Betrieb ohne Auslöseschalter.

Zum Aktivieren des Tempomat-Modus

1. Drücken Sie den Auslöseschalter und halten Sie ihn bei der gewünschten Geschwindigkeit gedrückt (Abb. U1).

2. Drücken Sie die Tempomat-Taste. Lassen Sie die Taste los, wenn das Tempomat-Symbol auf dem LC-Display erscheint (Abb. U4).
3. Lassen Sie den Auslöseschalter los, der Laubbläser läuft nun weiter.

Durch Drücken der Turbotaste im Tempomat-Modus kann die Luftgeschwindigkeit vorübergehend auf die maximale Stufe erhöht werden. Der Laubbläser kehrt zur vorherigen Luftgeschwindigkeit zurück, wenn die Turbotaste losgelassen wird.

Deaktivieren des Tempomat-Modus:

Drücken Sie erneut auf die Tempomat-Taste, um den Tempomat-Modus zu deaktivieren. Das Tempomat-Symbol auf dem LC-Display erlischt.

Tipps für den Gebrauch des Laubbläfers

- Lockern Sie den Schmutz mit einem Rechen oder Besen vor dem Wegblasen. Unter staubigen Bedingungen befeuchten Sie die Oberflächen etwas, wenn Ihnen Wasser zur Verfügung steht.
- Geben Sie auf Kinder, Tiere, offene Fenster oder frisch gewaschene Autos Acht. Blasen Sie den Schmutz vorsichtig weg.
- Säubern Sie den Ort nach der Benutzung des Laubbläfers oder anderer Geräte.

WARTUNG

⚠️ WARNUNG: Bei der Wartung nur identische Ersatzteile verwenden. Die Verwendung anderer Teile kann Unfälle und Schäden am Gerät hervorrufen. Um die Sicherheit und Zuverlässigkeit zu gewährleisten, sollten alle Reparaturen nur von qualifizierten Servicetechnikern durchgeführt werden.

⚠️ WARNUNG: Um ernsthafte Personenschäden zu vermeiden, entfernen Sie immer den Akku aus dem Produkt, wenn Sie das Gerät säubern oder Wartungsarbeiten vornehmen.

ALLGEMEINE WARTUNG

Zum Reinigen von Kunststoffteilen Lösungsmittel vermeiden. Die verschiedenen handelsüblichen Lösungsmittel greifen die meisten Kunststoffe an. Verwenden Sie saubere Lappen zum Entfernen von Schmutz, Staub, Öl, Fett usw.

⚠️ WARNUNG: Achten Sie immer darauf, dass Bremsflüssigkeit, Benzin, Mineralöl-Erzeugnisse, Kriechöle usw. nicht mit den Kunststoffteilen in Kontakt kommen. Chemikalien können Kunststoffe angreifen, schwächen oder zerstören, was zu schweren Verletzungen führen

kann.

LAGERUNG

- Nehmen Sie den Akku aus dem Laubbläser.
- Entfernen Sie alle Fremdkörper von den Lufteinlässen des Laubbläfers.
- Hängen Sie das Bläserrohr mit der Rohraufhängungsrinne auf den dafür vorgesehenen Knopf des Batteriefachs (Abb. V und W).
- Lagern Sie das Gerät in einem geschlossenen Raum, der für Kinder nicht zugänglich ist. Vor zersetzenden Mitteln wie Gartenchemikalien oder Streusalz fern halten.

V-1	Knopf für Bläserrohraufbewahrung
V-2	Rohraufhängungsrinne

Schutz der Umwelt



Elektrogeräte, alte Akkus und Ladegeräte dürfen nicht im Hausmüll entsorgt werden!

Das Gerät muss einer offiziellen Recycling-Sammelstelle zur getrennten Entsorgung zugeführt werden. Elektrowerkzeuge müssen bei einem umweltfreundlichen Recycling-Betrieb abgegeben werden.

STÖRUNGSBEHEBUNG

DE

PROBLEM	URSACHE	LÖSUNG
Laubbläser funktioniert nicht.	<ul style="list-style-type: none">■ Kein elektrischer Kontakt zwischen dem Laubbläser und den Batterien.■ Die Batterien sind erschöpft.■ Die Akkus oder der Laubbläser sind zu heiß.	<ul style="list-style-type: none">■ Akku herausnehmen, Kontakte überprüfen und wieder einsetzen.■ Akkus aufladen.■ Akkus und Laubbläser abkühlen lassen, bis die Temperatur unter 67°C gesunken ist.
Die Luftgeschwindigkeit nimmt erheblich ab.	<ul style="list-style-type: none">■ Der Lufteinlass ist durch Schmutz blockiert.■ Starke Abnutzung des Laubbläsermotors.	<ul style="list-style-type: none">■ Akkus herausnehmen und den Schmutz entfernen.■ Kontaktieren Sie das EGO-Servicezentrum, um das Gerät reparieren zu lassen.
LC-Display-Störung	<ul style="list-style-type: none">■ LC-Display ist defekt oder gestörte Verbindung zum LC-Display.	<ul style="list-style-type: none">■ Kontaktieren Sie das EGO-Servicezentrum, um das Gerät reparieren zu lassen.

GARANTIE

EGO-GARANTIEBEDINGUNGEN

Sämtliche EGO Garantiebedingungen finden Sie auf der Website egopowerplus.com.

LISEZ TOUTES LES INSTRUCTIONS!



LISEZ LE MANUEL D'UTILISATION

FR

REMARQUE : Ce manuel d'utilisation est également disponible dans un format alternatif, par exemple sur un site Web.

⚠ Risques résiduels ! Les personnes portant des appareils électroniques, par exemple des stimulateurs cardiaques, doivent consulter leur(s) médecin(s) avant d'utiliser ce produit. L'utilisation d'un équipement électrique près d'un stimulateur cardiaque peut provoquer des interférences ou la panne du stimulateur cardiaque.

⚠ AVERTISSEMENT : Pour garantir la sécurité et la fiabilité, toutes les réparations et tous les changements de pièce doivent être effectués par un réparateur qualifié.

SYMBOLES DE SÉCURITÉ

L'objectif des symboles de sécurité est d'attirer votre attention sur des dangers potentiels. Les symboles de sécurité et les explications les accompagnant doivent être lus attentivement et compris. Les symboles de mise en garde ne permettent pas par eux-mêmes d'éliminer les dangers. Les consignes et mises en garde ne se substituent pas à des mesures de prévention appropriées des accidents.

⚠ AVERTISSEMENT : Lisez et comprenez impérativement toutes les consignes de sécurité de ce manuel d'utilisation, y compris les symboles de mise en garde de sécurité tels que « **DANGER** », « **AVERTISSEMENT** » et « **ATTENTION** » avant d'utiliser cet outil. Ne pas respecter toutes les consignes listées ci-après peut provoquer un choc électrique, un incendie et/ou des blessures corporelles graves.

PRÉVENTION DES DOMMAGES ET MESSAGES INFORMATIFS

Ils fournissent à l'utilisateur des informations et/ou des consignes importantes dont le non-respect peut conduire à la détérioration de l'équipement ou d'autres biens. Chaque message est précédé par le mot « **REMARQUE** » comme dans l'exemple ci-dessous :

REMARQUE : La détérioration de l'équipement et/ou d'autres biens peut résulter du non-respect de ces consignes.



⚠ AVERTISSEMENT : L'utilisation d'un outil électrique peut provoquer la projection d'objets étrangers dans vos yeux, ce qui peut entraîner des lésions oculaires graves. Avant de commencer à utiliser l'outil électrique, portez toujours un masque de sécurité ou des lunettes de sécurité avec des protections latérales et une visière complète si nécessaire. Nous vous recommandons de porter un masque de sécurité à vision panoramique par-dessus des lunettes de vue ou des lunettes de sécurité standards avec des protections latérales.

CONSIGNES DE SÉCURITÉ

Cette page décrit des symboles de sécurité pouvant être présents sur ce produit. Lisez, comprenez et respectez toutes les instructions présentes sur l'outil avant d'essayer de l'assembler et de l'utiliser.

FR



Alerte de sécurité



Portez toujours une protection auditive lorsque vous utilisez ce produit.



Maintenir toutes les autres personnes éloignées d'au moins 15 m.



Ce produit est conforme à la législation britannique applicable.

V Volts

Hz Hertz

min Minutes

km/h Kilomètres par heure

n_0 Régime à vide

IPX5 Protection contre les projections d'eau



Portez toujours un masque de sécurité ou des lunettes de sécurité avec boucliers latéraux et un masque facial intégral lors de l'utilisation de ce produit.



Pour réduire le risque de blessures, l'utilisateur doit lire le manuel d'utilisation avant d'utiliser ce produit.



Ce produit est conforme aux directives CE applicables.



Les produits électriques usagés ne doivent pas être jetés avec les ordures ménagères. Apportez-les dans un centre de recyclage agréé.

A Ampères

W Watt

m^3/h Mètres cubes par heure

Courant continu

... /min Par minute

SPÉCIFICATIONS

Tension	56 V
Volume d'air maximal	1360 m ³ /h
Vitesse maximale de l'air	85 m/s
Force de soufflage maximale	26 N
Température d'utilisation recommandée	-15°C - 40°C
Température de stockage recommandée	-20°C - 70°C
Poids du souffleur (Sans batterie avec tube)	7,4 kg
Niveau de puissance acoustique mesuré L _{WA}	97 dB(A) K = 1,2 dB(A)
Niveau de pression acoustique au niveau des oreilles de l'opérateur L _{PA}	86,2 dB(A) K = 2,5 dB(A)
Niveau de puissance acoustique garanti L _{WA} (selon 2000/14/CE)	98 dB(A)
Vibration a _n	0,4 m/s ² K=1,5 m/s ²

- La valeur totale des vibrations indiquée a été mesurée selon une procédure conforme à une méthode de test standardisée et peut servir pour comparer différents outils.
- La valeur totale des vibrations déclarée peut également servir pour effectuer une évaluation préliminaire de l'exposition.

REMARQUE : Le niveau de vibrations lors de l'utilisation réelle de l'outil peut être différent de la valeur déclarée totale en fonction de la manière dont l'outil est utilisé ; Afin de protéger l'opérateur, l'utilisateur doit porter des gants et des protecteurs d'oreilles en conditions réelles d'utilisation.

CONTENU DE L'EMBALLAGE (IMAGE A1)

DESCRIPTION

DESCRIPTION DE VOTRE SOUFFLEUR (Images A1 et A2)

1. Guidon
2. Boutons de déblocage de la batterie
3. Verrou
4. Contacts électriques
5. Poignée de manœuvre
6. Entrée d'air
7. Soufflet
8. Tube de poignée de contrôle
9. Tube de soufflage
10. Poignée de contrôle
11. Plaque de sac à dos
12. Boucle de rangement du tube de soufflage
13. Harnais Réglable
14. Buse conique
15. Bouton de régulateur de vitesse
16. Écran LCD
17. Bouton Turbo
18. Interrupteur-gâchette
19. Rainure d'accrochage du tube
20. Levier à retrait rapide
21. Jauge de carburant
22. Icône de ventilateur
23. Indicateur de turbo
24. Indicateur de vitesse de l'air
25. Icône du régulateur de vitesse
26. Icône de batterie

AVERTISSEMENT : L'utilisation sécurisée de ce produit nécessite de comprendre les informations présentes sur l'outil et dans ce manuel d'utilisation, ainsi que de connaître le travail que vous voulez effectuer. Avant d'utiliser ce produit, familiarisez-vous avec toutes ses fonctions et toutes les consignes de sécurité.

ASSEMBLAGE

AVERTISSEMENT : Si une ou plusieurs pièces sont manquantes ou endommagées, n'utilisez pas cet outil tant que toutes les pièces n'ont pas été remplacées. Utiliser cet outil avec des pièces endommagées ou manquantes peut provoquer des blessures corporelles graves.

AVERTISSEMENT : N'essayez pas de modifier ce souffleur ou de créer des accessoires non recommandés pour l'usage avec ce souffleur. De tels modifications et changements constituent un usage impropre et peuvent engendrer des situations dangereuses pouvant conduire à des blessures corporelles graves.

AVERTISSEMENT : Pour éviter un démarrage accidentel pouvant provoquer des blessures corporelles

graves, retirez toujours les batteries de l'outil avant d'assembler des pièces.

FR

ASSEMBLER LES TUBES DU SOUFFLEUR

Insertion du tube de la poignée de contrôle dans le soufflet (Image C)

1. Insérez l'extrémité supérieure du tube de la poignée de contrôle dans le soufflet aussi loin que possible.
2. Serrez à fond le vis du collier de serrage sur le soufflet.

C-1	Collier de serrage
C-2	Vis

Fixation du tube de soufflage au tube de la poignée de contrôle (Image D)

1. Desserrez le levier de retrait rapide et l'écrou papillon et retirez-les du collier de serrage fixé sur le tube de soufflage.

D-1	Collier de serrage
D-2	Écrou papillon

2. Alignez la rainure du tube de soufflage avec la nervure du tube de la poignée de contrôle, glissez le tube de soufflage sur le tube de la poignée de contrôle aussi loin que possible.
3. Insérez la goupille du levier de retrait rapide et fermez le levier sur le collier de serrage.
4. Serrez l'écrou papillon pour fixer le collier de serrage en place.

Fixation de la buse conique au tube de soufflage (Images E, F)

1. Alignez la rainure de la buse avec le loquet situé sur le tube. Poussez la buse sur le tube jusqu'à ce qu'elle s'enclenche.
2. Pour retirer la buse, maintenez le bouton de déblocage de la buse enfoncé pour dégager le loquet, puis tirez sur la buse pour la retirer du tube de soufflage.

E-1	Bouton de déblocage de la buse
E-2	Loquet

FONCTIONNEMENT

AVERTISSEMENT : Veillez à ne pas devenir moins prudent(e) au fur et à mesure que vous vous familiarisez avec cet outil. Gardez à l'esprit qu'une fraction de seconde d'inattention peut suffire pour provoquer des

blessures graves.

AVERTISSEMENT : N'utilisez aucun accessoire ou pièce non recommandé par le fabricant de ce produit. L'utilisation d'accessoires ou de pièces non recommandés peut provoquer des blessures corporelles graves.

AVERTISSEMENT : Retirez toujours les batteries du produit avant d'assembler des pièces, d'effectuer une opération de réglage ou de nettoyage et quand vous n'utilisez pas l'outil. Le retrait des batteries permet d'éviter un démarrage accidentel pouvant provoquer des blessures graves.

Avant chaque utilisation, inspectez le produit complet à la recherche de pièces endommagées, manquantes ou desserrées telles que des vis, écrous, boulons, capuchons, etc. Serrez fermement toutes les fixations et capuchons et ne faites pas fonctionner ce produit tant que toutes les pièces manquantes ou endommagées n'ont pas été remplacées.

AVERTISSEMENT : En cas d'urgence, ouvrez la boucle de poitrine immédiatement pour retirer le souffleur.

APPLICATION

Vous pouvez utiliser cet outil pour les usages listés ci-dessous :

- Nettoyer des surfaces dures, par exemple les voies d'accès et les allées.
- Maintenir les terrasses et les voies d'accès exemptes de feuilles et d'aiguilles de pin.

REMARQUE : L'outil ne doit être utilisé que pour son usage prévu. Toute autre utilisation est considérée comme inappropriée.

INSTALLER/RETIRER LES BATTERIES

RECHARGEZ LA BATTERIE AVANT LA PREMIÈRE UTILISATION.

Utilisez l'outil uniquement avec les batteries et les chargeurs répertoriés sur l'image B.

REMARQUE : Pour de meilleures performances, nous recommandons l'utilisation d'une batterie EGO 56V d'une capacité supérieure à 5,0 Ah.

Le souffleur a deux compartiments de batterie actifs sur les côtés gauche et droit du boîtier du compartiment des batteries.

REMARQUE : Le souffleur peut fonctionner avec une ou deux batteries. L'utilisation de deux batteries vous offre une durée de fonctionnement plus longue ainsi qu'une consommation d'énergie efficace gérée par la technologie PEAK POWER™.

Si une batterie a été insérée dans le compartiment de batterie marqué par 1 ou 2 sur la plaque du sac à dos, l'icône de batterie correspondante s'allume sur l'écran LCD (Image G) après la mise en marche du souffleur.

G-1	Repère de position du compartiment des batteries
-----	--

■ Installation (Image H)

Alignez les arêtes de la batterie avec les rainures d'assemblage et poussez la batterie vers le bas jusqu'à entendre un dé clic. Répétez le processus pour installer la deuxième batterie.

■ Retrait (Image I)

Appuyez sur les boutons de déblocage des batteries et retirez-les.

⚠ AVERTISSEMENT : Faites toujours attention à la position de vos pieds ainsi qu'à la présence d'enfants ou d'animaux lorsque vous appuyez sur le bouton de déblocage de la batterie. La chute de la batterie pourrait entraîner des blessures graves. Ne retirez JAMAIS la batterie si vous vous trouvez en hauteur.

POSITIONNER LE SOUFFLEUR À DOS

⚠ AVERTISSEMENT : Habillez-vous correctement pour réduire les risques de blessures lors de l'utilisation de cet outil. Ne portez pas de vêtement ample ni de bijou. Portez des protections oculaires et auditives. Portez un pantalon long et épais, des chaussures montantes et des gants. Ne portez pas de shorts ni de sandales et ne marchez pas pieds nus.

Régler le harnais

1. Passez vos bras dans les sangles du harnais pour porter le souffleur sur votre dos.
2. Ajustez les deux sangles jusqu'à ce que vous vous sentiez à l'aise avec le souffleur sur le dos (Image J).
3. Fermez la boucle de poitrine et réglez la longueur de la sangle si nécessaire (Image K).
4. Fermez la boucle de taille et réglez la longueur de la sangle de sorte que le harnais dorsal soit fermement soutenu par vos hanches (Images L et M).
5. Réglez les sangles d'épaule pour la sécurité et le confort. Veillez à ce que le harnais repose bien sur votre dos, avec son poids soutenu par la sangle de taille et sans qu'il ne se déplace trop quand vous bougez (Image N).
6. Insérez la longueur en excès de la ceinture autour de la taille dans l'élastique de chaque côté (Image O).
7. Pour retirer l'outil de votre dos, appuyez simplement sur les boucles de poitrine et de taille pour les ouvrir

(Image P).

Pour régler la poignée de commande

1. Ouvrez le levier de retrait rapide pour déplacer la poignée de contrôle vers l'avant ou vers l'arrière selon les besoins (Image Q et R), puis réengagez le levier de retrait rapide pour fixer la poignée en place.
2. Vous pouvez aussi tourner la poignée pour plus de confort (Image S).

Réglage de la longueur du tube de la poignée de contrôle (Images T1, T2)

1. Ouvrez le levier de retrait rapide pour déplacer le tube de soufflage dans une position d'utilisation confortable.
2. Réengagez le levier de retrait rapide pour fixer le tube de soufflage en place.

DÉMARRAGE / ARRÊT DU SOUFFLEUR

Interrupteur-gâchette (Images U1, U2)

- Appuyez sur la gâchette pour mettre en marche le souffleur. L'écran LCD affiche la jauge de carburant, l'icône de la batterie et l'indicateur de vitesse de l'air.
- La vitesse de l'air du souffleur se commande à l'aide de l'interrupteur-gâchette. Plus la gâchette est enfoncée, plus le débit d'air sortant de la buse est important. Ajustez la vitesse en fonction de la tâche à accomplir. L'icône de vitesse correspondante s'affiche sur l'écran LCD.
- Relâchez la gâchette pour éteindre le souffleur. Après 6 secondes, l'écran LCD s'éteint.

Mode Turbo

En maintenant la gâchette enfoncée, appuyez sur le bouton turbo pour maximiser le débit d'air (Image U1). L'indicateur turbo et l'icône de ventilateur s'allument sur l'écran LCD (Image U3).

REMARQUE : Le souffleur revient à la vitesse précédente lorsque vous relâchez le bouton turbo.

Mode régulateur de vitesse

Le mode régulateur de vitesse permet d'utiliser l'outil sans l'interrupteur-gâchette.

Pour activer le mode régulateur de vitesse :

1. Maintenez la gâchette enfoncée à la vitesse souhaitée (Image U1).
2. Appuyez sur le bouton du régulateur de vitesse. Relâchez le bouton après l'apparition de l'icône du régulateur de vitesse sur l'écran LCD (Image U4).
3. Relâchez l'interrupteur-gâchette, le souffleur continue

de fonctionner.

Appuyez sur le bouton turbo en mode régulateur de vitesse pour augmenter temporairement la vitesse de l'air au niveau maximum. Le souffleur repasse à la vitesse précédente lorsque vous relâchez le bouton turbo.

Pour désactiver le mode régulateur de vitesse :

Réappuyez sur le bouton du régulateur de vitesse pour désactiver le mode régulateur de vitesse. L'icône du régulateur de vitesse disparaît de l'écran LCD.

Conseils d'utilisation du souffleur

- Avant de souffler, décoincez les débris avec un râteau et un balai. Dans les environnements poussiéreux, humidifiez légèrement les surfaces si de l'eau si disponible.
- Faites attention aux enfants, animaux de compagnie, fenêtres ouvertes et voitures récemment nettoyées. Soufflez les débris en les éloignant d'une manière non dangereuse.
- Après avoir utilisé un souffleur ou un autre outil, nettoyez-le !

ENTRETIEN

⚠ AVERTISSEMENT : L'outil ne doit être réparé qu'avec des pièces de rechange identiques. L'utilisation de toute autre pièce peut créer un danger ou détériorer l'outil. Pour garantir la sécurité et la fiabilité, toutes les réparations doivent être effectuées par un réparateur qualifié.

⚠ AVERTISSEMENT : Pour vous prémunir contre le risque de blessures graves, retirez toujours la ou les batteries de l'outil avant toute opération de nettoyage ou d'entretien.

ENTRETIEN GÉNÉRAL

N'utilisez pas de solvant pour nettoyer les pièces en plastique. La plupart des plastiques peuvent être détériorés par de nombreux types de solvants vendus dans le commerce. Utilisez des chiffons propres pour enlever les saletés, les poussières, l'huile, la graisse, etc.

⚠ AVERTISSEMENT : Veillez à ce que les pièces en plastique de l'outil n'entrent jamais en contact avec du liquide de frein, de l'essence, des produits à base de pétrole, du dégrissant, etc. Les produits chimiques peuvent endommager, fragiliser ou détruire les pièces en plastique, ce qui peut provoquer des blessures corporelles graves.

RANGEMENT

- Retirez la ou les batteries du souffleur.
- Enlevez toutes les matières étrangères des entrées d'air du souffleur.
- Alignez la boucle de rangement du tube de soufflage avec la rainure d'accrochage du tube et accrochez le tube de soufflage au boîtier du compartiment des batteries (Images V et W).
- Rangez l'outil en intérieur dans un endroit inaccessible aux enfants. Veillez à ce qu'il reste éloigné des produits corrosifs, par exemple des produits chimiques de jardinage et des sels de déverglaçage.

V-1	Boucle de rangement du tube de soufflage
V-2	Rainure d'accrochage du tube

Protection de l'environnement



Ne jetez pas les équipements électriques, les batteries et les chargeurs usagés avec les ordures ménagères !

Apportez ce produit chez un recycleur agréé et rendez-le disponible pour une collecte séparée. Les outils électriques doivent être amenés dans un centre de recyclage pour assurer le respect de l'environnement.

GUIDE DE DÉPANNAGE

PROBLÈME	CAUSE	SOLUTION
Le souffleur ne fonctionne pas.	<ul style="list-style-type: none">■ Il n'y a pas de contact électrique entre le souffleur et les batteries.■ Les batteries sont vides.■ Les batteries ou le souffleur sont trop chauds.	<ul style="list-style-type: none">■ Retirez la batterie, inspectez les contacts, puis réinsérez la batterie.■ Rechargez les batteries.■ Laissez les batteries et le souffleur refroidir jusqu'à ce que leur température soit inférieure à 67°C.
La vitesse de l'air baisse significativement.	<ul style="list-style-type: none">■ L'entrée d'air est bouchée par des débris.■ La turbine du moteur est excessivement usée.	<ul style="list-style-type: none">■ Retirez les batteries, nettoyez les débris.■ Contactez un centre de réparation EGO pour faire réparer l'outil.
Dysfonctionnement de l'écran LCD.	<ul style="list-style-type: none">■ L'ensemble LCD est cassé ou la connexion des fils de l'ensemble LCD est mauvaise.	<ul style="list-style-type: none">■ Contactez un centre de réparation EGO pour faire réparer l'outil.

FR

GARANTIE

POLITIQUE DE GARANTIE EGO

Visitez le site Web egopowerplus.com pour consulter l'intégralité des conditions de la politique de garantie EGO.

¡LEA TODAS LAS INSTRUCCIONES!



LEA EL MANUAL DEL USUARIO

ES

AVISO: estas instrucciones están disponibles también en un formato alternativo, por ejemplo, en una página web.

⚠ ¡Riesgo residual! Las personas con implantes electrónicos, como marcapasos, deberán consultar a su médico antes de utilizar este producto. La utilización de equipos eléctricos en las proximidades inmediatas de un marcapasos podría causar en este interferencias o averías.

⚠ ADVERTENCIA: Para garantizar la seguridad y fiabilidad de la herramienta, las reparaciones y sustituciones debe realizarlas únicamente un técnico cualificado.

SÍMBOLOS RELACIONADOS CON LA SEGURIDAD

El propósito de los símbolos de seguridad es atraer su atención hacia posibles peligros. Los símbolos de seguridad y las explicaciones que los acompañan requieren su máxima atención y comprensión. Por sí solos, los símbolos de advertencia no eliminan los posibles peligros. Las instrucciones y advertencias que proporcionan no sustituyen a las medidas adecuadas de prevención de accidentes.

⚠ ADVERTENCIA: Antes de utilizar esta herramienta, asegúrese de haber leído y entendido perfectamente todas las instrucciones que aparecen en este manual del usuario, incluidos todos los símbolos de aviso sobre seguridad, como «PELIGRO», «ADVERTENCIA» y «PRECAUCIÓN». De no observarse todas las instrucciones proporcionadas a continuación podría existir un riesgo de incendio, electrocución, así como de lesiones físicas graves.

MENSAJES INFORMATIVOS Y DE PREVENCIÓN DE DAÑOS

Proporcionan al usuario información y/o instrucciones importantes que, de ignorarse, podrían dañar la herramienta o provocar daños materiales. Cada mensaje va precedido por la palabra «**AVISO**»; según se muestra en el ejemplo siguiente:

AVISO: De no observarse estas instrucciones podrán producirse daños materiales o en la herramienta.



⚠ ADVERTENCIA: Cuando se utilizan herramientas eléctricas, es posible que salgan despedidos objetos que podrían causar lesiones oculares graves. Antes de empezar a usar herramientas eléctricas, póngase siempre gafas de seguridad, gafas con cristales anti-impacto que cuenten con pantallas de protección lateral, o bien una máscara facial que proteja completamente la cara. Recomendamos usar una máscara de seguridad de amplia visión que pueda utilizarse encima de gafas graduadas, o bien gafas normales de seguridad equipadas con pantallas laterales.

INSTRUCCIONES RELACIONADAS CON LA SEGURIDAD

Esta página muestra y describe los símbolos de seguridad que puede haber en este producto. Antes del montaje y utilización del producto, asegúrese de leer, comprender y seguir todas las instrucciones que están en la máquina.



Aviso de seguridad



Utilice siempre gafas de seguridad, gafas con cristales anti-impacto que cuenten con pantallas de protección lateral, o bien una máscara facial que proteja completamente la cara cuando use este producto.

ES



Lleve siempre protección auditiva cuando utilice este producto.



Para reducir el riesgo de lesiones, el usuario debe leer y comprender perfectamente el manual del usuario antes usar este producto.



Todas las demás personas deben mantenerse a una distancia mínima de 15 m.



Este producto está en conformidad con las directivas de la CE aplicables.



Este producto está en conformidad con la legislación aplicable del Reino Unido.



Los productos eléctricos no deben eliminarse con la basura doméstica. Llévelos a un centro de reciclaje autorizado.

V Voltio

A Amperios

Hz Hercios

W Vatios

min Minutos

m³/h Metros cúbicos/hora

km/h Kilómetros/hora


 Corriente continua

n₀ Velocidad sin carga

... /min Por minuto

IPX5 Protección contra los chorros de agua

ESPECIFICACIONES

Tensión	56 V 
Volumen máximo de aire	1360 m ³ /h
Velocidad máxima del aire	85 m/s
Fuerza máxima del soplador	26 N
Temperatura de funcionamiento recomendada	de -15°C a 40°C
Temperatura de almacenamiento recomendada	de -20°C a 70°C
Peso del soplador (Sin batería con tubo)	7,4 kg
Nivel de potencia acústica medido L _{WA}	97 dB(A) K = 1,2 dB(A)
Nivel de presión acústica medido a la altura del oído del usuario L _{PA}	86,2 dB(A) K = 2,5 dB(A)
Nivel de potencia acústica garantizado L _{WA} (de acuerdo con la directiva 2000/14/CE)	98 dB(A)
Nivel de vibraciones a _n	0,4 m/s ² K = 1,5 m/s ²

- El valor de vibración total ha sido medido de acuerdo con el método de prueba estándar y se puede utilizar para comparar herramientas.
- El valor total de vibración declarado se puede usar además en una evaluación preliminar del grado de exposición.

AVISO: Las vibraciones generadas durante el uso real de la herramienta eléctrica pueden diferir del valor declarado en función de la manera en que se utilice. Como protección, el usuario debería utilizar guantes y protectores auditivos en condiciones reales de uso.

LISTA DE CONTENIDO (FIG. A1)

DESCRIPCIÓN

FAMILIARÍCESE CON EL SOPLADOR (Fig. A1 y A2)

1. Manillar
2. Botones de liberación de la batería
3. Seguro
4. Contactos eléctricos

5. Empuñadura auxiliar
6. Entrada de aire
7. Fuelle
8. Tubo del mango de control
9. Tubo de soplado
10. Mango de control
11. Placa de la mochila
12. Pomo de almacenamiento del tubo del soplador
13. Arnés de soporte ajustable
14. Boquilla cónica
15. Botón de control de crucero
16. Pantalla LCD
17. Botón Turbo
18. Gatillo interruptor
19. Ranura para colgar el tubo
20. Palanca de liberación rápida
21. Indicador de energía
22. Icono del ventilador
23. Indicador Turbo
24. Indicador de velocidad del aire
25. Símbolo del control de crucero
26. Símbolo de la batería

ADVERTENCIA: Para una utilización segura de este producto, se requiere entender perfectamente la información proporcionada en la propia herramienta, así como en este manual de instrucciones, además de poseer buenos conocimientos acerca de la tarea a realizar. Antes de utilizar este producto, familiarícese con todas sus características de funcionamiento y pautas de seguridad a observar.

MONTAJE

ADVERTENCIA: Si alguna pieza falta o está rota, no utilice el producto hasta haber sustituido las piezas. Podrían producirse lesiones graves en caso de utilizar el producto si alguna de sus piezas falta o está dañada.

ADVERTENCIA: No intente modificar este producto ni fabricar accesorios no recomendados para su uso en este soplador. Cualquier alteración o modificación se considerará uso indebido y podría provocar una situación peligrosa con riesgo de sufrir lesiones graves.

ADVERTENCIA: Para evitar una puesta en marcha accidental que podría causar lesiones graves, quite siempre las baterías de la herramienta antes de montar piezas.

MONTAJE DE LOS TUBOS DE SOPLADO

Conexión del conjunto del tubo del mango de control al fuelle (Fig. C)

1. Introduzca el extremo superior del tubo del mango de control en el fuelle hasta el tope.
2. Apriete completamente el tornillo del collarín de sujeción del fuelle.

C-1	Collarín de sujeción
C-2	Tornillo

Conexión del tubo de soplado al tubo del mango de control (Fig. D)

1. Afloje y retire la palanca de cierre rápido y la tuerca de mariposa del conjunto de la abrazadera del tubo fijada en el tubo de soplado.

D-1	Abrazadera del tubo
D-2	Tuerca de mariposa

2. Alinee la ranura del tubo de soplado con la nervadura del tubo del mango de control, deslice el tubo de soplado sobre el tubo del mango de control hasta el tope.
3. Introduzca el pasador de la palanca de liberación rápida y cierre la palanca en la abrazadera del tubo.
4. Apriete la tuerca de mariposa para asegurar la abrazadera del tubo en su lugar.

Conexión de la boquilla cónica al tubo de soplado (Fig. E, F)

1. Alinee la ranura de la boquilla con el seguro del tubo. Empuje la boquilla sobre el tubo hasta que encaje firmemente en su lugar.
2. Para quitar la boquilla, mantenga pulsado el botón de liberación de la boquilla para desenganchar el seguro y, a continuación, tire recto de la boquilla para quitarla del tubo de soplado.

E-1	Botón de liberación de la boquilla
E-2	Seguro

FUNCIONAMIENTO

⚠ ADVERTENCIA: No permita que el hecho de estar familiarizado con el producto le haga descuidarse. Recuerde que cualquier distracción de una fracción de segundo es suficiente para provocar lesiones graves.

⚠ ADVERTENCIA: No utilice piezas o accesorios no recomendados por el fabricante de este producto. La utilización de piezas o accesorios no recomendados puede provocar lesiones graves.

⚠ ADVERTENCIA: Quite siempre las baterías del producto antes de instalar piezas, efectuar ajustes, proceder a su limpieza, o cuando no lo utilice. Quitando las baterías se evita una puesta en marcha accidental de la herramienta que podría provocar lesiones.

Antes de cada uso, examine todo el producto para ver si hay piezas dañadas, extraviadas o sueltas, como tornillos, tuercas, pernos, tapones, etc. Apriete bien todas las sujeciones y los tapones y no ponga en marcha el producto hasta haber reemplazado todas las piezas que falten o que estén dañadas.

⚠ ADVERTENCIA: Si se produce una emergencia, separe la hebilla del pecho directamente para quitarse el soplador.

UTILIZACIÓN

Este producto puede utilizarse para los fines indicados a continuación:

- Despejar superficies duras, como entradas para vehículos y caminos peatonales.
- Mantener despejadas de hojarasca y agujas de pino las terrazas y las entradas para vehículos.

AVISO: La herramienta debe utilizarse únicamente para el fin previsto. Cualquier otro uso se considerará uso indebido.

INSTALAR/QUITAR LAS BATERÍAS

CARGUE LA BATERÍA ANTES DEL PRIMER USO.

Use la herramienta solo con baterías y cargadores incluidos en la lista de la fig. B.

AVISO: Para un mejor rendimiento, recomendamos el uso de cualquier batería EGO de 56 V con una capacidad superior a 5,0 Ah.

El soplador tiene dos compartimentos de batería activos en el lado izquierdo y derecho de la carcasa del compartimento de la batería.

NOTA: El soplador puede funcionar con una o dos baterías. El uso de dos baterías le proporciona un mayor tiempo de funcionamiento y un consumo eficiente de energía gestionado por la tecnología PEAK POWER™.

Si se ha introducido una batería en el compartimento marcado con 1 o 2 en la placa de la mochila, el símbolo de la batería correspondiente se enciende en la pantalla LCD (Fig. G) después de encender el soplador.

G-1 Marca de posición del compartimento de la batería

■ **Para instalarla (Fig. H)**

Alinee las nervaduras de la batería con las ranuras de montaje, e introduzca la batería presionándola hacia abajo hasta oír un «clic». Repita el proceso para instalar la segunda batería.

■ **Para quitarla (Fig. I)**

Pulse los botones de liberación de la batería y saque las baterías.

⚠ ADVERTENCIA: Preste atención siempre a la posición de sus pies, así como a la presencia de niños o mascotas cuando pulse el botón de liberación de la batería. La caída de la batería podría provocar lesiones graves. No quiete NUNCA la batería con la herramienta situada en un lugar elevado.

POSICIÓN DEL SOPLADOR DE MOCHILA

⚠ ADVERTENCIA: Utilice ropa adecuada cuando trabaje con esta herramienta, para reducir el riesgo de lesiones. No lleve puesta ropa holgada ni joyas. Utilice protección auditiva. Utilice pantalones largos, botas y guantes resistentes. No lleve pantalones cortos, sandalias, ni vaya descalzo.

Para ajustar el arnés de soporte

1. Pase los brazos por las correas de los hombros para apoyar el soplador en la espalda.
2. Ajuste las dos correas de los hombros hasta que se sienta cómodo con el soplador en la espalda (Fig. J).
3. Enganche la hebilla del pecho y ajuste su longitud en caso necesario (Fig. K).
4. Enganche la hebilla de la cintura y ajuste su longitud de forma que la mochila quede apoyada de forma segura en sus caderas (Fig. L & M).
5. Vuelva a ajustar las correas de los hombros de forma segura y cómoda. Compruebe que la mochila esté colocada de forma segura en su espalda, con el peso apoyado en la correa de la cintura, y sin que se mueva demasiado cuando se mueve usted (Fig. N).
6. Pase la correa sobrante alrededor de la cintura e insértela en los elásticos que hay a ambos lados (Fig. O).
7. Para quitarse la herramienta de la espalda, presione las hebillas de la cintura y del pecho para abrirlas (Fig. P).

Para ajustar el mando de control

1. Suelte la palanca de liberación rápida para mover el

mango de control hacia adelante o hacia atrás según sea necesario (Fig. Q y R) y, a continuación, enganche la palanca de liberación rápida para sujetar el mango en su lugar.

2. Si lo desea, también puede girar el mango para mayor comodidad (Fig. S).

Para ajustar la longitud del tubo del mango de control (Fig. T1, T2)

1. Suelte la palanca de liberación rápida para mover el tubo de soplado a una posición de funcionamiento cómoda.
2. Enganche la palanca de liberación rápida para fijar el tubo de soplado en su sitio.

PUESTA EN MARCHA / PARADA DEL SOPLADOR

Gatillo interruptor (Fig. U1, U2)

- Apriete el gatillo interruptor para encender el soplador. En la pantalla LCD se muestra el indicador de combustible, el símbolo de la batería y el indicador de velocidad del aire.
- La velocidad del aire del soplador se controla con el gatillo interruptor. Cuanto más se apriete el gatillo interruptor, más aire saldrá de la boquilla. Ajuste la velocidad en función de la tarea que vaya a realizar. El símbolo de la velocidad del aire correspondiente aparecerá en la pantalla LCD.
- Suelte el gatillo para apagar el soplador. Al cabo de 6 segundos, la pantalla LCD se apagará.

Modo Turbo

Manteniendo el gatillo apretado, pulse el botón Turbo para maximizar el flujo de aire (Fig. U1). El indicador Turbo y el símbolo del ventilador se encenderán en la pantalla LCD (Fig. U3).

NOTA: El soplador vuelve a la velocidad anterior cuando se suelta el botón turbo.

Modo de control de crucero

El modo de control de crucero permite usar el aparato sin apretar el gatillo interruptor.

Para activar el modo de control de crucero:

1. Mantenga pulsado el gatillo interruptor a la velocidad deseada (Fig. U1).
2. Pulse el botón de control de crucero. Suelte el botón cuando aparezca el símbolo del control de crucero en la pantalla LCD (Fig. U4).
3. Suelte el gatillo interruptor, y el soplador seguirá funcionando.

Pulsando el botón Ten el modo de control de crucero se puede aumentar temporalmente la velocidad del aire hasta el nivel máximo. El soplador regresa a la velocidad anterior cuando se suelta el botón turbo.

Para desactivar el modo de control de crucero:

Pulse de nuevo el botón de control de crucero para desactivar el modo de control de crucero. El símbolo del control de crucero desaparece de la pantalla LCD.

Consejos para usar el soplador

- Utilice rastrillos y escobas para soltar los materiales antes de despejarlos con el soplador. En entornos polvorientos, humedadza ligeramente las superficies si dispone de agua.
- Esté siempre alerta a la posible presencia de niños, mascotas, ventanas abiertas, automóviles recién lavados, etc. y utilice el soplador para despejar los materiales de manera segura.
- Tras utilizar el soplador o cualquier otro equipo, ¡asegúrese de limpiarlos!

MANTENIMIENTO

⚠ ADVERTENCIA: Cuando repare la herramienta, utilice solo piezas idénticas a las originales. La utilización de otras piezas podría suponer un peligro o causar daños en el producto. Para garantizar la seguridad y fiabilidad de la herramienta, las reparaciones debe realizarlas únicamente un técnico cualificado.

⚠ ADVERTENCIA: Para evitar lesiones graves, quite siempre la batería de la herramienta antes de limpiarla o hacer tareas de mantenimiento.

MANTENIMIENTO GENERAL

Evite utilizar disolventes para limpiar las piezas de plástico. La mayoría de los plásticos podrían dañarse si se limpian con algunos de los tipos de disolventes disponibles en el mercado. Utilice paños limpios para eliminar la suciedad y los residuos de polvo, aceite, grasa, etc.

⚠ ADVERTENCIA: No deje nunca que las piezas de plástico entren en contacto con líquido de frenos, gasolina, productos derivados del petróleo, aceites penetrantes, etc. Las sustancias químicas podrían dañar, debilitar o destruir el plástico, con el consiguiente riesgo de provocar lesiones graves.

ALMACENAMIENTO

- Quite la batería del soplador.

- Elimine cualquier acumulación de suciedad y materias extrañas de las entradas de aire del soplador.
- Alinee el saliente para el almacenamiento del tubo de soplado con la ranura para colgar el tubo, y cuelgue el tubo sobre la carcasa del compartimento de la batería (Fig. V y W).
- Guarde el aparato en un lugar cerrado al que no pueda acceder ningún niño. Manténgalo apartado de agentes corrosivos, como productos químicos de jardinería y sal para deshielo.

V-1	Saliente para el almacenamiento del tubo del soplador
V-2	Ranura para colgar el tubo

Protección del medio ambiente



¡No elimine aparatos eléctricos, baterías usadas ni cargadores de baterías junto con los desperdicios domésticos!

Lleve este producto a un punto de reciclaje autorizado y deposítelo por separado según corresponda. Las herramientas eléctricas se deben llevar a un punto de reciclaje con fin de proteger el medio ambiente.

ES

SOLUCIÓN DE PROBLEMAS

ES

PROBLEMA	CAUSA	SOLUCIÓN
El soplador no funciona.	<ul style="list-style-type: none">■ No hay contacto eléctrico entre las baterías y el soplador.■ Las baterías están agotadas.■ Las baterías o el soplador están demasiado calientes.	<ul style="list-style-type: none">■ Quite la batería, compruebe los contactos eléctricos y vuelva a insertarla.■ Cargue las baterías.■ Enfríe las baterías y el soplador hasta que la temperatura descienda por debajo de los 67°C.
La velocidad del aire soplado disminuye considerablemente.	<ul style="list-style-type: none">■ La entrada de aire está obstruida por acumulación de residuos.■ Desgaste excesivo del ventilador del motor.	<ul style="list-style-type: none">■ Quite las baterías y limpie los residuos.■ Póngase en contacto con el servicio de asistencia técnica de EGO para solicitar la reparación de la herramienta.
Fallo de la pantalla LCD	<ul style="list-style-type: none">■ Rotura del conjunto de la pantalla LCD o mala conexión de cable del conjunto de la pantalla LCD.	<ul style="list-style-type: none">■ Póngase en contacto con el servicio de asistencia técnica de EGO para solicitar la reparación de la herramienta.

GARANTÍA

POLÍTICA DE GARANTÍA DE EGO

Visite la página web egopowerplus.com para conocer los términos y condiciones completos de la política de garantía de EGO.

LEIA TODAS AS INSTRUÇÕES!



LEIA O MANUAL DO UTILIZADOR

AVISO: Estas instruções também estão disponíveis num formato alternativo, como num website.

⚠ Riscos residuais! As pessoas com dispositivos eletrónicos, como pacemakers, deverão consultar o seu médico antes de utilizarem este produto. A utilização de equipamento elétrico perto de um pacemaker pode causar interferências ou falhas no pacemaker.

⚠ AVISO: Para garantir a segurança e bom funcionamento, todas as reparações e substituições deverão ser efetuadas por um técnico de reparação qualificado.

PT

SÍMBOLOS DE SEGURANÇA

O objetivo dos símbolos de segurança é chamar a atenção para possíveis perigos. Os símbolos de segurança e as explicações apresentadas com eles requerem a sua atenção e compreensão. Os avisos de segurança, só por eles, não eliminam o perigo. As instruções e avisos dados não são substitutos para medidas de prevenção adequadas a acidentes.

⚠ AVISO: Certifique-se de que lê e compreende todos os avisos de segurança neste manual do utilizador, incluindo todos os símbolos de alerta de segurança, como "PERIGO", "AVISO" e "CUIDADO" antes de usar esta ferramenta. Não seguir todas as instruções apresentadas abaixo pode resultar em choque elétrico, incêndio e/ou ferimentos graves.

MENSAGENS DE PREVENÇÃO DE DANOS E DE INFORMAÇÃO

Estas informam o utilizador de informação importante e/ou instruções que, caso não sejam seguidas, podem dar origem a danos no equipamento ou danos patrimoniais. Cada mensagem é precedida da palavra "AVISO", conforme o exemplo apresentado abaixo:

AVISO: Se estas instruções não forem seguidas, pode sofrer danos no equipamento e/ou danos patrimoniais.



⚠ AVISO: O funcionamento de qualquer ferramenta elétrica pode dar origem ao ressalto de quaisquer objetos estranhos que podem atingir os olhos, podendo dar origem a sérias lesões oculares. Antes de começar a utilizar a ferramenta elétrica, utilize sempre óculos de segurança com proteções laterais e uma proteção completa para a cara, quando necessário. Recomendamos Máscaras de Segurança com Visão Panorâmica por cima de óculos, ou óculos de segurança padrão com proteção lateral.

INSTRUÇÕES DE SEGURANÇA

Esta página retrata e descreve os símbolos de segurança que podem aparecer neste produto. Leia, compreenda e siga todas as instruções na máquina antes de tentar montar e utilizar.

PT



Alerta de segurança



Utilize sempre proteção auditiva ao utilizar este produto.



Mantenha terceiros a, pelo menos, 15 metros de distância.



Este produto encontra-se em conformidade com a legislação no Reino Unido.

V Volts

Hz Hertz

min Minutos

km/h Quilómetros por hora

n_0 Velocidade Sem Carga

IPX5 Proteção contra jatos de água



Use sempre óculos de segurança com proteção lateral e, se necessário, uma proteção completa do rosto, quando utilizar este produto.



Para reduzir o risco de lesões, o utilizador tem de ler o manual de instruções antes de utilizar este produto.



Este produto encontra-se em conformidade com as diretivas CE aplicáveis.



Os produtos elétricos residuais não deverão ser eliminados juntamente com o lixo doméstico comum. Entregue-os num centro de reciclagem autorizado.

A Amperes

W Watt

m^3/h Metro cúbico por hora

Corrente direta

... /min Por minuto

CARACTERÍSTICAS TÉCNICAS

Voltagem	56V
Volume máximo do ar	1360 m ³ /h
Velocidade máxima do ar	85 m/s
Força máxima de sopro	26 N
Temperatura de funcionamento recomendada	-15°C - 40°C
Temperatura de armazenamento recomendada	-20°C - 70°C
Peso do soprador (sem bateria com tubo)	7,4 kg
Nível de potência do som medido L _{WA}	97 dB(A) K=1,2 dB(A)
Nível da pressão do som no ouvido do operador L _{PA}	86,2 dB(A) K=2,5 dB(A)
Nível de potência do som garantido L _{WA} (de acordo com a 2000/14/CE)	98 dB(A)
Vibração a _v	0,4 m/s ² K=1,5 m/s ²

- O valor total declarado da vibração foi medido de acordo com um método de teste padrão e pode ser usado para comparar duas ferramentas.
- O valor total declarado da vibração também pode ser usado numa avaliação preliminar da exposição.

AVISO: A emissão de vibrações durante a utilização da ferramenta elétrica pode diferir do valor declarado em que a ferramenta é usada. De modo a proteger o utilizador, este deverá usar luvas e proteção auditiva nas condições atuais de utilização.

LISTA DE PEÇAS (IMAGEM A1)

DESCRIÇÃO

CONHEÇA O SEU SOPRADOR (Imagem A1 e A2)

1. Pega
2. Botões de libertação da bateria
3. Trinco
4. Contactos elétricos
5. Pega auxiliar
6. Entrada de ar

7. Foles
8. Tubo da pega de controlo
9. Tubo do soprador
10. Pega de controlo
11. Placa da mochila
12. Manípulo de arrumação do tubo do soprador
13. Arnês de suporte ajustável
14. Bocal afunilado
15. Botão de “cruise control”
16. Ecrã LCD
17. Botão do turbo
18. Gatilho do interruptor
19. Ranhura de suspensão do tubo
20. Alavanca de libertação rápida
21. Manómetro do combustível
22. Ícone da ventoinha
23. Indicador de turbo
24. Indicador da velocidade do ar
25. Ícone de “cruise control”
26. Ícone da bateria

AVISO: A utilização segura deste produto requer uma compreensão da informação na ferramenta e neste manual de instruções, bem como o conhecimento do trabalho que vai efetuar. Antes de utilizar este produto, familiarize-se com as características de funcionamento e regras de segurança.

MONTAGEM

AVISO: Se quaisquer peças estiverem danificadas ou em falta, não utilize este produto até as peças serem substituídas. Utilizar este produto com peças danificadas ou em falta pode dar origem a ferimentos sérios.

AVISO: Não tente modificar este produto nem criar acessórios que não sejam recomendados para utilizar com este soprador. Qualquer alteração ou modificação é considerada uma má utilização e pode dar origem a perigos, que podem levar a ferimentos sérios.

AVISO: Para evitar um arranque acidental que possa causar ferimentos sérios, retire sempre as baterias do produto durante a montagem das peças.

MONTAR OS TUBOS DO SOPRADOR

Ligar o conjunto do tubo da pega de controlo aos foles (Imagem C).

1. Insira a extremidade superior do tubo da pega de

controlo nos foles, até ao fundo.

2. Aperte por completo o parafuso na braçadeira de fixação nos foles.

C-1	Braçadeira de fixação
C-2	Parafuso

PT

Ligar o tubo do soprador ao tubo da pega de controlo (Imagem D).

1. Desaperte e retire a alavanca de libertação rápida e a porca de asas do conjunto da braçadeira do tubo no tubo do soprador.

D-1	Braçadeira do tubo
D-2	Porca de asas

2. Alinhe a ranhura no tubo do soprador com a saliência no tubo da pega de controlo, faça deslizar o tubo do soprador sobre o tubo da pega de controlo até ao fundo.
3. Insira a cavilha da alavanca de libertação rápida e feche a alavanca na braçadeira do tubo.
4. Aperte a porca de asas para fixar a braçadeira do tubo no respetivo lugar.

Ligar o bocal afunilado no tubo do soprador (Imagem E, F)

1. Alinhe a ranhura no bocal com o trinco no tubo. Pressione o bocal sobre o tubo até encaixar fixamente no respetivo lugar.
2. Para retirar o bocal, prima e mantenha o botão de libertação do bocal para libertar o trinco, depois, puxe o bocal a direito para fora do tubo do soprador.

E-1	Botão de libertação do bocal
E-2	Trinco

FUNCIONAMENTO

AVISO: Não permita que a familiarização com este produto o torne descuidado. Lembre-se de que uma fração de segundo de desatenção é o suficiente para sofrer um ferimento sério.

AVISO: Não utilize quaisquer acessórios para além dos recomendados pelo fabricante deste produto. A utilização de acessórios que não sejam recomendados pode dar origem a ferimentos sérios.

AVISO: Retire sempre as baterias do produto quando estiver a montar peças, fazer ajustes, limpar ou

quando não utilizar o produto. Retirar as baterias evita um arranque accidental que poderia causar ferimentos sérios.

Antes de cada utilização, inspecione todo o produto quanto a peças danificadas, em falta ou soltas, como parafusos, porcas, tampas, etc. Aperte bem todos os fixadores e tampas e não utilize este produto até que todas as peças em falta ou danificadas sejam substituídas.

AVISO: Se encontrar uma emergência, separe a fivela do peito a direito para retirar o soprador.

APLICAÇÃO

Pode utilizar este produto com os intuitos listados abaixo:

- Limpeza de superfícies duras, como passeios e passagens.
- Manter terraços e serventias sem folhas ou caruma.

AVISO: A ferramenta tem de ser usada apenas conforme descrito. Qualquer outra utilização será considerada má utilização.

INSTALAR/RETIRAR AS BATERIAS

CARREGUE ANTES DA PRIMEIRA UTILIZAÇÃO.

Utilize apenas com as baterias e carregadores listados na Imagem B.

AVISO: Para um melhor desempenho, recomendamos a utilização de uma bateria EGO de 56V com uma capacidade superior a 5.0 Ah.

O soprador tem dois compartimentos de baterias ativas do lado esquerdo e direito da estrutura do compartimento da bateria.

NOTA: O soprador pode funcionar com uma ou duas baterias. Usar duas baterias permite um maior tempo de funcionamento e maior eficiência energética gerida pela tecnologia PEAK POWER™.

Se a bateria tiver sido inserida no compartimento da bateria com a marca 1 ou 2 na placa da mochila, o ícone da respetiva bateria acende no ecrã LCD (Imagem G) após ligar o soprador.

G-1	Marca da posição do compartimento da bateria
-----	--

■ Para instalar (Imagem H)

Alinhe as abas da bateria com as ranhuras de fixação e pressione a bateria para baixo até ouvir um “clique”. Repita o processo para instalar a segunda bateria.

■ Para retirar (Imagem I)

Prima os botões de libertação da bateria e puxe as baterias para fora.

⚠ AVISO: Certifique-se sempre da localização dos seus pés, de crianças ou animais quando premir o botão de libertação da bateria. Se a bateria cair, podem ocorrer ferimentos sérios. **NUNCA** retire a bateria num local elevado.

POSICIONAMENTO DO SOPRADOR

⚠ AVISO: Vista-se adequadamente para reduzir o risco de ferimentos quando utilizar este aparelho. Não use roupa larga nem joalheria. Use proteções oculares e auditivas. Use calças compridas e resistentes, mangas compridas, botas e luvas. Não utilize roupa curta, sandálias nem ande descalço.

Ajustar o arnês de suporte

1. Coloque os seus braços através das alças para suportar o soprador nas suas costas.
2. Ajuste ambas as alças para os ombros até se sentir confortável com o soprador às costas (Imagem J).
3. Fixe a fivela para o peito e ajuste o seu comprimento, se necessário (Imagem K).
4. Fixe a fivela para a cintura e ajuste o seu comprimento, de modo a que o soprador fique bem suportado pelas suas ancas (Imagem L e M).
5. Reajuste as alças para os ombros, para segurança e conforto. Certifique-se de que o soprador assenta em segurança nas suas costas, com o peso suportado pela alça para a cintura, e sem movimentos em excesso quando se mover (Imagem N).
6. Insira qualquer comprimento extra de correia à volta da cintura no elástico em ambos os lados (Imagem O).
7. Para libertar o aparelho das suas costas, basta premir as fivelas para o peito e cintura para as libertar (Imagem P).

Ajustar a pega de controlo

1. Liberte a alavanca de libertação rápida para mover a pega de controlo para a frente ou para trás conforme necessário (Imagem Q e R) e depois encaixe a alavanca de libertação rápida para fixar a pega no respetivo lugar.
2. Também pode rodar a pega conforme necessário, para maior conforto (Imagem S).

Para ajustar o comprimento do tubo da pega de controlo (Imagem T1, T2)

1. Liberte a alavanca de libertação rápida para mover o tubo do soprador para uma posição de funcionamento confortável.
2. Encaixe a alavanca de libertação rápida para fixar o

tubo do soprador no respetivo lugar.

LIGAR/DESLIGAR O SOPRADOR

Gatilho do interruptor (Imagem U1, U2)

- Prima o gatilho do interruptor para ligar o soprador. O ecrã LCD apresenta o manómetro do combustível, ícone da bateria, indicador da velocidade do ar.
- A velocidade do ar do soprador é controlada com o gatilho do interruptor. Quanto mais o gatilho do interruptor for pressionado, mais ar sai do bocal. Ajuste a velocidade para se adequar à tarefa a ser efetuada. O respetivo ícone da velocidade do ar é apresentado no ecrã LCD.
- Liberte o gatilho para desligar o soprador. Passados 6 segundos, o ecrã LCD desliga-se.

Modo turbo

Com o gatilho mantido pressionado, prima o botão do turbo para maximizar o fluxo do ar (Imagem U1). O indicador do turbo e o ícone da ventoinha acendem no ecrã LCD (Imagem U3).

NOTA: O soprador volta à velocidade anterior quando libertar o botão do turbo.

Modo de “cruise control”

O modo de “cruise control” oferece um funcionamento sem que use o gatilho do interruptor.

Para ativar o modo de “cruise control”:

1. Prima e mantenha premido o gatilho do interruptor à velocidade desejada (Imagem U1).
2. Prima o botão de “cruise control”. Liberte o botão após o ícone de “cruise control” aparecer no ecrã LCD (Imagem U4).
3. Liberte o gatilho do interruptor e o soprador continua a funcionar.

Prima o botão do turbo enquanto estiver no modo de “cruise control” para aumentar temporariamente a velocidade do ar para o nível máximo. O soprador volta à velocidade anterior quando libertar o botão do turbo.

Para libertar o modo de “cruise control”:

Prima de novo o botão de “cruise control” para libertar o modo de “cruise control”. O ícone de “cruise control” desaparece do ecrã LCD.

Dicas para usar o soprador

- Use ancinhos e vassouras para libertar o lixo antes de soprar. Em condições poeirentas, humedeça ligeiramente as superfícies, se tiver água disponível.
- Tenha cuidado com as crianças, animais, janelas

abertas ou carros lavados recentemente, e afaste o lixo em segurança.

- Após utilizar o soprador ou outro equipamento, proceda à limpeza!

MANUTENÇÃO

PT

⚠ AVISO: Quando fizer reparações, utilize apenas peças de substituição idênticas. A utilização de outras peças pode dar origem a perigos ou danos no produto. Para garantir a segurança e bom funcionamento, todas as reparações deverão ser efetuadas por um técnico de reparação qualificado.

⚠ AVISO: Para evitar ferimentos sérios, retire sempre a bateria do produto quando limpar ou efetuar qualquer manutenção.

MANUTENÇÃO GERAL

Evite usar solventes quando limpar peças de plástico. Grande parte dos plásticos é suscetível a danos devido a vários tipos de solventes comerciais. Use panos limpos para retirar a sujidade, pó, óleo, gordura, etc.

⚠ AVISO: Nunca permita que o líquido dos travões, gasolina, produtos à base de petróleo, óleos penetrantes, etc., entrem em contacto com as peças de plástico. Os químicos podem danificar, enfraquecer ou destruir o plástico o que pode dar origem a ferimentos sérios.

ARMAZENAMENTO

- Retire a bateria do soprador.
- Limpe todo o material estranho das entradas de ar do soprador.
- Alinhe o manípulo de arrumação do tubo do soprador com a ranhura de suspensão do tubo e fixe o tubo do soprador na estrutura do compartimento da bateria (Imagem V e W).
- Guarde-o num espaço fechado e inacessível a crianças. Mantenha afastado de agentes corrosivos, como químicos de jardinagem e sais de degelo.

V-1	Manípulo de arrumação do tubo do soprador
V-2	Ranhura de suspensão do tubo

Proteja o ambiente



Não elimine equipamento elétrico, bateria gasta nem carregador juntamente com o lixo doméstico comum!

Leve este produto a um centro de reciclagem autorizado para que possa haver uma separação das peças.

As ferramentas elétricas têm de ser devolvidas em instalações de reciclagem ambientalmente compatíveis.

RESOLUÇÃO DE PROBLEMAS

PROBLEMA	CAUSA	SOLUÇÃO
O soprador não funciona.	<ul style="list-style-type: none">■ Não existe contacto elétrico entre o soprador e as baterias.■ As baterias estão gastas.■ As baterias ou o soprador estão demasiado quentes.	<ul style="list-style-type: none">■ Retire a bateria, verifique os contactos e volte a instalar a bateria.■ Carregue as baterias.■ Deixe as baterias e o soprador arrefecerem até que a temperatura atinja menos de 67°C.
A velocidade do ar diminui significativamente.	<ul style="list-style-type: none">■ A entrada do ar está obstruída por resíduos.■ Desgaste excessivo da ventoinha do motor.	<ul style="list-style-type: none">■ Retire as baterias e limpe os resíduos.■ Contacte o centro de reparação da EGO para efetuar a reparação.
Falha no ecrã LCD.	<ul style="list-style-type: none">■ O conjunto do LCD está partido ou há uma má ligação do fio do conjunto do LCD.	<ul style="list-style-type: none">■ Contacte o centro de reparação da EGO para efetuar a reparação.

PT

GARANTIA

POLÍTICA DE GARANTIA EGO

Visite o website egopowerplus.com para os termos e condições completos da política de garantia da EGO.

LEGGERE TUTTE LE ISTRUZIONI.



LEGGERE IL MANUALE DI ISTRUZIONI.

NOTA: queste istruzioni devono essere disponibili anche in un formato alternativo, ad esempio su un sito web.

IT **⚠ Rischio residui!** Le persone portatrici di dispositivi elettronici, ad esempio pacemaker, devono consultare il proprio medico prima di usare questo apparecchio. L'uso di apparecchi elettrici in prossimità di pacemaker cardiaci comporta il rischio di interferenze o malfunzionamento del pacemaker.

⚠ AVVERTENZA! Per garantire sicurezza e affidabilità, tutte le riparazioni e sostituzioni devono essere eseguite da un tecnico qualificato.

SIMBOLI DI SICUREZZA

Lo scopo dei simboli di sicurezza è attirare l'attenzione dell'operatore su possibili pericoli. I simboli di sicurezza e le relative spiegazioni richiedono la massima attenzione e comprensione da parte dell'operatore. Le avvertenze espresse dai simboli, da sole, non eliminano tutti i rischi. Le istruzioni e le avvertenze non sostituiscono le adeguate misure di prevenzione contro gli incidenti.

⚠ AVVERTENZA! Accertarsi di aver letto e compreso tutte le istruzioni di sicurezza in questo manuale, inclusi tutti i simboli di avvertenza come "PERICOLO", "AVVERTENZA" e "ATTENZIONE", prima di usare l'apparecchio. Il mancato rispetto di tutte le istruzioni elencate di seguito comporta il rischio di scossa elettrica, incendio e/o lesioni gravi.

MESSAGGI INFORMATIVI E DI PREVENZIONE DEI DANNI

Questi messaggi comunicano all'utente informazioni importanti e/o istruzioni che, se non rispettate, possono danneggiare l'apparecchio o altre proprietà. Ogni messaggio è preceduto dalla parola "NOTA", come nel seguente esempio:

NOTA: il mancato rispetto di queste istruzioni può causare danni all'apparecchio e/o altre proprietà.



⚠ AVVERTENZA! L'uso di apparecchi elettrici può causare il lancio di oggetti estranei verso l'operatore, con il rischio di lesioni gravi agli occhi. Durante l'uso dell'apparecchio, indossare sempre occhiali protettivi o occhiali di sicurezza con protezioni laterali e, se necessario, una maschera facciale. Si raccomanda di indossare una maschera di sicurezza con ampio campo visivo sopra gli occhiali o occhiali di sicurezza standard con protezioni laterali.

ISTRUZIONI DI SICUREZZA

Questa pagina illustra e descrive i simboli di sicurezza che possono essere presenti sull'apparecchio. Leggere, comprendere e seguire tutte le istruzioni sull'apparecchio prima di tentare di assemblarlo e ripararlo.



Avvertenza di sicurezza



Durante l'uso dell'apparecchio, indossare sempre occhiali protettivi o occhiali di sicurezza con protezioni laterali e una maschera facciale.



Durante l'uso dell'apparecchio, indossare sempre protezioni per le orecchie.



Per ridurre il rischio di infortuni, l'utente deve leggere e comprendere tutte le istruzioni prima di usare l'apparecchio.



Tenere eventuali altre persone ad almeno 15 metri di distanza.



Questo apparecchio è conforme alle direttive europee applicabili.



Questo apparecchio è conforme alle direttive britanniche applicabili.



Gli apparecchi elettrici non devono essere smaltiti insieme ai rifiuti domestici. Portarli presso un centro di riciclaggio autorizzato.

V Volt

A Ampere

Hz Hertz

W Watt

min Minuti

m³/h Metri cubi all'ora

km/h Chilometri all'ora

Corrente continua


n₀ Velocità a vuoto

.../min Al minuto

IPX5 Protezione dai getti d'acqua

IT

SPECIFICHE TECNICHE

Tensione	56 V 
Volume dell'aria max	1360 m ³ /h
Velocità dell'aria max	85 m/s
Forza di soffiaggio max	26 N
Temperatura di funzionamento raccomandata	Da -15°C a 40°C
Temperatura di conservazione raccomandata	Da -20°C a 70°C
Peso del soffiatore (senza batteria, con tubo)	7,4 kg
Livello di potenza sonora misurato L _{WA}	97 dB(A) K=1,2 dB(A)
Livello di pressione sonora a livello dell'orecchio dell'operatore L _{PA}	86,2 dB(A) K=2,5 dB(A)
Livello di potenza sonora garantito L _{WA} (conformemente a 2000/14/EC)	98 dB(A)
Vibrazioni a _n	0,4 m/s ² K=1,5 m/s ²

- Il valore totale di emissione delle vibrazioni dichiarato è stato misurato con un metodo di valutazione standard e può essere utilizzato per confrontare l'apparecchio con altri prodotti analoghi.
- Il valore totale di emissione delle vibrazioni dichiarato può essere utilizzato anche per una valutazione preliminare dei livelli di esposizione.

NOTA: il valore di emissione delle vibrazioni durante l'uso effettivo dell'apparecchio può variare rispetto al valore totale dichiarato in base alla modalità di utilizzo dell'apparecchio. Per proteggersi, l'operatore deve indossare guanti e dispositivi di protezione per le orecchie in base alle condizioni di utilizzo effettive.

CONTENUTO DELL'IMBALLAGGIO (FIG. A1)

DESCRIZIONE

COMPONENTI DEL SOFFIATORE (Fig. A1, A2)

1. Impugnatura di trasporto
2. Pulsanti di rilascio della batteria
3. Linguetta

4. Contatti elettrici
5. Impugnatura ausiliaria
6. Apertura di ingresso dell'aria
7. Soffietto
8. Tubo con impugnatura di comando
9. Tubo di soffiaggio
10. Impugnatura di comando
11. Piastra dello zaino
12. Perno di aggancio del tubo
13. Imbracatura regolabile
14. Bocchetta conica
15. Pulsante della modalità Cruise control
16. Display LCD
17. Pulsante della modalità Turbo
18. Interruttore a grilletto
19. Scanalatura di aggancio del tubo
20. Leve a rilascio rapido
21. Indicatore di carica
22. Icona della ventola
23. Icona della modalità Turbo
24. Indicatori della velocità dell'aria
25. Icona della modalità Cruise Control
26. Icona della batteria

AVVERTENZA! L'uso sicuro di questo apparecchio richiede la comprensione delle informazioni riportate sull'apparecchio e in questo manuale e la conoscenza del progetto di lavoro. Prima di usare l'apparecchio, familiarizzarsi con tutte le funzioni operative e le norme di sicurezza.

ASSEMBLAGGIO

AVVERTENZA! In caso di componenti danneggiati o mancanti, non usare l'apparecchio finché i componenti non vengono sostituiti. L'uso dell'apparecchio con componenti danneggiati o mancanti comporta il rischio di lesioni gravi.

AVVERTENZA! Non tentare di modificare l'apparecchio o creare accessori non raccomandati per l'uso con questo soffiatore. Tali alterazioni o modifiche costituiscono un uso improprio e comportano condizioni pericolose e il rischio di lesioni gravi.

AVVERTENZA! Per evitare l'avvio accidentale e il conseguente rischio di lesioni gravi, rimuovere sempre le batterie dall'apparecchio durante l'assemblaggio dei

componenti.

ASSEMBLAGGIO DEI TUBI DI SOFFIAGGIO

Collegamento del tubo con impugnatura di comando al soffietto (Fig. C)

1. Inserire l'estremità superiore del tubo con impugnatura di comando nel soffietto, fino in fondo.
2. Serrare completamente la vite del collare di bloccaggio sul soffietto.

C-1	Collare di bloccaggio
C-2	Vite

Collegamento del tubo di soffiaggio al tubo con impugnatura di comando (Fig. D)

1. Allentare la leva a rilascio rapido e rimuoverla, insieme al dado a farfalla, dal morsetto del tubo di soffiaggio.

D-1	Morsetto del tubo
D-2	Dado a farfalla

2. Allineare la scanalatura sul tubo di soffiaggio con la sporgenza sul tubo con impugnatura di comando, quindi far scorrere il tubo di soffiaggio sopra il tubo con impugnatura di comando, fino in fondo.
3. Inserire il perno della leva a rilascio rapido e chiudere la leva sul morsetto del tubo.
4. Serrare il dado a farfalla per fissare il morsetto del tubo in posizione.

Collegamento della bocchetta conica al tubo di soffiaggio (Fig. E, F)

1. Allineare la scanalatura sulla bocchetta con il fermaglio sul tubo. Spingere la bocchetta sul tubo finché non si incastra in posizione.
2. Per rimuovere la bocchetta, tenere premuto il pulsante di rilascio della bocchetta per sganciarla dal fermaglio, quindi tirarla in linea retta.

E-1	Pulsante di rilascio della bocchetta
E-2	Fermaglio

UTILIZZO

AVVERTENZA! La familiarità con questo apparecchio non deve rendere l'operatore disattento. Anche un solo momento di disattenzione comporta il rischio di lesioni gravi.

AVVERTENZA! Non usare accessori non raccomandati dal costruttore dell'apparecchio. L'uso di accessori non raccomandati comporta il rischio di lesioni gravi.

AVVERTENZA! Rimuovere le batterie dall'apparecchio prima di pulirlo, regolarlo o assemblare i componenti e quando non è in uso. La rimozione delle batterie impedisce l'avvio accidentale e il conseguente rischio di lesioni gravi.

Prima di ogni utilizzo, ispezionare l'intero apparecchio per verificare che nessun elemento sia mancante e non siano presenti componenti danneggiati o allentati, ad esempio viti, bulloni, cappucci, ecc. Serrare saldamente tutti i dispositivi di fissaggio e non usare l'apparecchio finché tutti i componenti mancanti o danneggiati non vengono sostituiti.

AVVERTENZA! In caso di emergenza, slacciare la fibbia della cinghia toracica per rimuovere rapidamente il soffiatore.

DESTINAZIONE D'USO

Questo apparecchio può essere usato per gli scopi elencati di seguito.

- Pulire superfici dure come vialetti e passerelle.
- Mantenere pedane e vialetti privi di foglie e aghi di pino.

NOTA: l'apparecchio deve essere utilizzato esclusivamente per gli scopi previsti. Altri utilizzi sono da considerarsi impropri.

INSTALLAZIONE/RIMOZIONE DELLE BATTERIE

RICARICARE LE BATTERIE PRIMA DEL PRIMO UTILIZZO.

Usare l'apparecchio esclusivamente con le batterie e caricabatteria elencate in Fig. B.

NOTA: per le migliori prestazioni, si raccomanda l'uso di batterie EGO 56 V di capacità superiore a 5,0 Ah.

Il soffiatore è dotato di due scomparti per batteria sul lato destro e sul lato sinistro del vano batterie.

NOTA: il soffiatore può essere alimentato a una o due batterie. L'uso di due batterie aumenta l'autonomia e l'efficienza energetica grazie alla tecnologia PEAK POWER™.

All'accensione del soffiatore, sul display apparirà l'icona corrispondente allo scomparto (1 o 2) in cui è stata inserita la batteria; i numeri degli scomparti sono riportati sulla piastra dello zaino (Fig. G).

G-1 Numero dello scomparto per batteria

■ Installazione (Fig. H)

Allineare i rilievi sulla batteria con le scanalature di assemblaggio e spingere la batteria fino a udire un "clic". Ripetere l'operazione per installare la seconda batteria.

■ Rimozione (Fig. I)

Premere i pulsanti di rilascio della batteria ed estrarre le batterie.

⚠ AVVERTENZA! Prestare attenzione ai propri piedi e all'eventuale presenza di bambini o animali attorno a sé durante la pressione dei pulsanti di rilascio della batteria. La caduta della batteria comporta il rischio di lesioni gravi. NON rimuovere la batteria quando si è in posizione sopraelevata.

POSIZIONAMENTO DEL SOFFIATORE A BATTERIA

⚠ AVVERTENZA! Vestirsi adeguatamente per ridurre il rischio di infortunio durante l'uso dell'apparecchio. Non indossare indumenti ampi o gioielli. Indossare dispositivi di protezione per gli occhi/orecchie. Indossare pantaloni lunghi e pesanti, stivali e guanti. Non indossare pantaloni corti o sandali e non usare l'apparecchio a piedi nudi.

Regolazione dell'imbracatura

1. Infilare le braccia sotto gli spillacci per indossare il soffiatore sulla schiena.
2. Regolare entrambi gli spillacci per indossare il soffiatore sulla schiena in modo confortevole (Fig. J).
3. Allacciare la fibbia della cinghia toracica e regolare la lunghezza della cinghia (Fig. K).
4. Allacciare la fibbia della cintura e regolare la lunghezza della cintura affinché lo zaino sia sostenuto saldamente dal bacino (Fig. L, M).
5. Regolare nuovamente gli spillacci finché non sono sicuri e confortevoli. Assicurarsi che lo zaino sia appoggiato saldamente sulla schiena, con il peso sostenuto dalla cintura, e verificare che non si sposti eccessivamente durante i propri movimenti (Fig. N).
6. Inserire le estremità libere della cintura negli elastici su entrambi i lati (Fig. O).
7. Premere la fibbia della cintura e la fibbia della cinghia toracica per staccarle (Fig. P).

Regolazione dell'impugnatura di comando

1. Aprire la leva a rilascio rapido per spostare l'impugnatura di comando in avanti o all'indietro (Fig. Q e R), quindi chiudere la leva a rilascio rapido per bloccare l'impugnatura in posizione.

2. È anche possibile ruotare l'impugnatura (Fig. S).

Regolazione della lunghezza del tubo con impugnatura di comando (Fig. T1, T2)

1. Aprire la leva a rilascio rapido per spostare il tubo in una posizione confortevole.
2. Chiudere la leva a rilascio rapido per bloccare il tubo in posizione.

AVVIO/ARRESTO DEL SOFFIATORE

Interruttore a grilletto (Fig. U1, U2)

- Premere l'interruttore a grilletto per avviare il soffiatore. Sul display apparirà il livello di carica, l'icona della batteria e la velocità dell'aria.
- La velocità dell'aria è controllata dall'interruttore a grilletto. Maggiore è la pressione sull'interruttore, maggiore è il flusso d'aria in uscita dalla bocchetta. Regolare la velocità in base al lavoro da svolgere. Gli indicatori della velocità dell'aria si illumineranno sul display.
- Rilasciare l'interruttore a grilletto per arrestare il soffiatore. Il display si spegnerà dopo 6 secondi.

Modalità Turbo

Tenendo premuto l'interruttore a grilletto, premere il pulsante Turbo per aumentare la velocità dell'aria al livello massimo (Fig. U1). L'icona della modalità Turbo e l'icona della ventola si illumineranno sul display (Fig. U3).

NOTA: al rilascio del pulsante Turbo, il soffiatore ritornerà alla velocità precedente.

Modalità Cruise control

È possibile usare il soffiatore senza dover tenere premuto l'interruttore a grilletto.

Attivazione della modalità Cruise control

1. Premere l'interruttore a grilletto fino a raggiungere la velocità desiderata (Fig. U1).
2. Premere il pulsante della modalità Cruise control. Rilasciare il pulsante quando sul display appare l'icona della modalità Cruise control (Fig. U4).
3. Rilasciare l'interruttore a grilletto; il soffiatore rimarrà in funzione.

Quando il soffiatore è in modalità Cruise control è possibile premere il pulsante Turbo per aumentare temporaneamente la velocità dell'aria al livello massimo. Al rilascio del pulsante Turbo, il soffiatore ritornerà alla velocità precedente.

Disattivazione della modalità Cruise control

Premere nuovamente il pulsante della modalità Cruise control per disattivare la modalità Cruise control. L'icona della modalità Cruise Control scomparirà dal display.

Suggerimenti per l'uso del soffiatore

- Usare rastrelli e scope per smuovere i detriti prima di soffiarli. In aree di lavoro polverose, inumidire leggermente le superfici, se possibile.
- Fare attenzione all'eventuale presenza di bambini, animali, finestre aperte o automobili appena lavate e soffiare i detriti in direzione opposta.
- Pulire l'area di lavoro dopo aver usato soffiatori o altri apparecchi.

MANUTENZIONE

AVVERTENZA! Per la riparazione dell'apparecchio, usare esclusivamente parti di ricambio identiche. L'uso di altri ricambi comporta situazioni pericolose o il rischio di danni all'apparecchio. Per garantire sicurezza e affidabilità, tutte le operazioni di riparazione e sostituzione devono essere effettuate da un tecnico qualificato.

AVVERTENZA! Per evitare il rischio lesioni gravi, rimuovere la batteria dall'apparecchio prima di sottoporlo a pulizia o manutenzione.

MANUTENZIONE GENERALE

Evitare l'uso di solventi durante la pulizia delle parti in plastica. La maggior parte dei materiali plastici può essere danneggiata da molti tipi di solventi in commercio. Usare un panno pulito per rimuovere sporcizia, polvere, olio, grasso, ecc.

AVVERTENZA! Impedire il contatto di liquido per freni, benzina, prodotti a base di petrolio, oli penetranti, ecc. con le parti in plastica. Le sostanze chimiche possono danneggiare, indebolire o distruggere la plastica, con il rischio di lesioni gravi.

CONSERVAZIONE

- Rimuovere la batteria dal soffiatore.
- Rimuovere tutti i materiali estranei dalle aperture di ventilazione del soffiatore.
- Allineare il perno di aggancio del tubo con la scanalatura di aggancio sul tubo di soffiaggio e fissare il tubo al vano batteria (Fig. V e W).
- Conservare l'apparecchio in un luogo inaccessibile ai bambini e al riparo da agenti corrosivi, ad esempio sostanze chimiche per il giardinaggio e sale per disgelo.

V-1	Perno di aggancio del tubo
V-2	Scanalatura di aggancio del tubo

Protezione dell'ambiente



Non smaltire apparecchi elettrici, caricabatteria e batterie insieme ai rifiuti domestici.

Portare il prodotto presso un centro di riciclaggio autorizzato affinché venga raccolto separatamente. Gli apparecchi elettrici devono essere portati presso un centro di riciclaggio ecocompatibile.

RISOLUZIONE DEI PROBLEMI**IT**

PROBLEMA	CAUSA	SOLUZIONE
Il soffiatore non funziona.	<ul style="list-style-type: none">■ Nessun contatto elettrico tra il soffiatore e le batterie.■ Le batterie sono scariche.■ Le batterie o il soffiatore sono troppo caldi.	<ul style="list-style-type: none">■ Rimuovere la batteria, ispezionare i contatti e reinstallare la batteria.■ Ricaricare le batterie.■ Attendere che la temperatura delle batterie e del soffiatore scenda al di sotto di 67°C.
La velocità dell'aria diminuisce significativamente.	<ul style="list-style-type: none">■ L'apertura di ingresso dell'aria è ostruita da detriti.■ La ventola del motore è usurata.	<ul style="list-style-type: none">■ Estrarre le batterie e rimuovere i detriti.■ Contattare il centro di assistenza EGO per la riparazione.
Malfunzionamento del display.	<ul style="list-style-type: none">■ Il display è danneggiato o i cavi non sono collegati correttamente.	<ul style="list-style-type: none">■ Contattare il centro di assistenza EGO per la riparazione.

GARANZIA**CONDIZIONI DELLA GARANZIA EGO**

Visitare il sito web egopowerplus.com per consultare le condizioni complete della garanzia EGO.

LEES ALLE INSTRUCTIES!



LEES DE GEBRUIKSAANWIJZING

OPMERKING: Deze instructies zijn ook in een alternatief formaat verkrijgbaar, bijv. op een website.

⚠ Restrisico! Personen met elektronische apparaten zoals pacemakers, moeten eerst hun arts(en) raadplegen voordat ze dit product gebruiken. De werking van een elektrisch apparaat in de nabijheid van een pacemaker kan een storing of defect van de pacemaker veroorzaken.

⚠ WAARSCHUWING: Om een continue veiligheid en betrouwbaarheid te waarborgen, dienen alle reparaties en vervangingen van onderdelen uitgevoerd te worden door een gekwalificeerde servicemonteur.

NL

VEILIGHEIDSSYMBOLEN

Het doel van de veiligheidssymbolen is om u te wijzen op mogelijke gevaren. Besteed daarom voldoende aandacht hieraan en begrijp de veiligheidssymbolen en bijbehorende uitleg. De symboolwaarschuwingen op zich elimineren geen enkel gevaar. De verstrekte instructies en waarschuwingen gelden niet als vervanging voor gepaste voorzorgsmaatregelen tegen ongevallen.

⚠ WAARSCHUWING: Lees en begrijp alle veiligheidsinstructies die in deze gebruiksaanwijzing staan vermeld, waaronder alle veiligheidssymbolen zoals “GEVAAR”, “WAARSCHUWING”, en “OPGELET” voordat u dit gereedschap in gebruik neemt. Het negeren van onderstaande instructies kan leiden tot elektrische schokken, brand en/of ernstig persoonlijk letsel.

SCHADEPREVENTIE EN INFORMATIEBERICHTEN

Deze informeren de gebruiker over belangrijke informatie en/of instructies wat kan leiden tot schade aan het apparaat of andere eigendommen als deze niet correct worden opgevolgd. Elk bericht wordt voorafgegaan door het woord “MEDEDELING”, zoals in onderstaand voorbeeld:

OPMERKING: Schade aan apparaten en/of eigendommen kunnen zich voordoen als deze instructies niet worden opgevolgd.



⚠ WAARSCHUWING: Het gebruik van elektrische gereedschappen kan leiden tot het rondslingeren van (vreemde) objecten die in uw ogen kunnen terechtkomen. Dit kan leiden tot ernstig oogletsel. Wanneer u elektrische apparaten gebruikt, zorg er dan voor dat u altijd een veiligheidsbril (met zijschermen) of een gelaatsscherm draagt. We bevelen aan om een gelaatsscherm over uw bril of standaard veiligheidsbril met zijschermen te gebruiken.

VEILIGHEIDSVOORSCHRIFTEN

Deze pagina toont en beschrijft alle veiligheidssymbolen die zich op dit product kunnen bevinden. Lees, begrijp en volg alle instructies op de machine voordat u deze in elkaar steekt en gebruikt.



Veiligheidswaarschuwing



Draag altijd een veiligheidsbril (met zijschermen) en een gelaatsscherm als u dit product gebruikt.



Draag altijd gehoorbescherming wanneer u dit product gebruikt.



De gebruiker dient de gebruiksaanwijzing voor gebruik van dit product te lezen om risico op letsel te beperken.

NL



Houd alle omstanders minstens 15 meter uit de buurt.



Dit product is in overeenstemming met de EG-richtlijnen.

UK
CA

Dit product is in overeenstemming met de toepasselijke richtlijnen van het VK.



Gooi elektrisch afval niet via het huishoudelijk afval weg. Breng het naar een geautoriseerd recyclingbedrijf.

V Volt

A Ampère

Hz Hertz

W Watt

min Minuten

m³/h Kubieke meter per uur

km/h Kilometer per uur

 Gelijkstroom

n₀ Snelheid zonder belasting

.../min Per minuut

IPX5 Bescherming tegen waterstralen

SPECIFICATIES

Spanning	56V
Maximaal luchtvolume	1360 m ³ /h
Maximale luchtsnelheid	85 m/s
Maximale blaaskracht	26 N
Aanbevolen bedrijfstemperatuur	-15°C-40°C
Aanbevolen opslagtemperatuur	-20°C-70°C
Gewicht bladblazer (Zonder accu, met buis)	7,4 kg
Gemeten geluidsniveau L _{WA}	97 dB(A) K=1,2 dB(A)
Geluidsdrukniveau bij het oor van de bediener L _{PA}	86,2 dB(A) K=2,5 dB(A)
Gewaarborgd geluidsvermogensniveau L _{WA} (in overeenstemming met 2000/14/EC)	98 dB(A)
Trilling a _n	0,4 m/s ² K=1,5 m/s ²

- De opgegeven totale vibratiewaarde is gemeten volgens de standaard testmethode en kan worden gebruikt om het apparaat met een ander apparaat te vergelijken;
- De opgegeven totale vibratiewaarde kan tevens worden gebruikt in een voorafgaande beoordeling op blootstelling.

OPMERKING: De trillingsemmissie tijdens het werkelijk gebruik van het elektrisch gereedschap kan verschillen van de opgegeven totale waarde; Om de gebruiker te beschermen dient de gebruiker tijdens het gebruik handschoenen en gehoorbescherming te dragen.

PAKLIJST (AFB. A1)

BESCHRIJVING

KEN UW BLADBLAZER (afb. A1 & A2)

- Handgreep
- Accu-ontgrendelingsknoppen
- Vergrendeling
- Elektrische contacten
- Ondersteunende handgreep
- Luchtinlaat
- Balg
- Bedienhandgreep buis
- Blaasbuis
- Bedienhandgreep
- Rugzak plaat
- Bladblazerbuis opslagknop
- Instelbaar ondersteunend harnas
- Conisch mondstuk
- Cruise control knop
- Lcd-scherm
- Turboknop
- Drukschakelaar
- Groef van de inhaakbuis
- Snelle ontgrendelingshendel
- Vermogensmeter
- Ventilator icoon
- Turbo-indicator
- Luchtsnelheidsindicator
- Cruisecontrol icoon
- Accusymbool

⚠ WAARSCHUWING: Om dit product op een veilige manier te gebruiken moet men zowel de informatie vermeld op het apparaat en in deze gebruikershandleiding goed begrijpen alsmede een goede kennis hebben van de taak die u wilt uitvoeren. Voordat u dit product gebruikt, maak u zich vertrouwd met alle gebruiksfuncties en veiligheidsvoorschriften.

MONTAGE

⚠ WAARSCHUWING: Als er onderdelen beschadigd zijn of ontbreken, gebruik dit product niet totdat alle onderdelen vervangen of aanwezig zijn. Dit product gebruiken met beschadigde of ontbrekende onderdelen kan ernstig persoonlijk letsel veroorzaken.

⚠ WAARSCHUWING: Probeer niet om dit product aan te passen of accessoires te maken die niet voor gebruik met deze bladblazer zijn aanbevolen. Een dergelijke aanpassing of wijziging is misbruik en kan leiden tot gevaar en een ernstig persoonlijk letsel.

⚠ WAARSCHUWING: Om het toevallig starten van het apparaat, dat ernstig persoonlijk letsel kan veroorzaken, te voorkomen, verwijder altijd de accu's uit

het gereedschap voordat u onderdelen monteert.

DE BLAASBUIZEN MONTEREN

Aansluiting van de bedieningshandgreep buis montage op de balg (afb. C)

1. Steek het bovenste uiteinde van de bedieningshandgreep buis tot aan de aanslag in de balg.
2. Draai de schroef in de klemkraag op de balg volledig vast.

NL

C-1	Klemkraag
C-2	Schroef

Aansluiting van de bladblazerbuis op de bedieningshandgreep buis (afb. D)

1. Draai de snelle ontgrendelingshendel en de vleugelmoer los en verwijder deze van de buisklem die op de bladblazerbuis is bevestigd.

D-1	Buisklem
D-2	Vleugelmoer

2. Breng de groef in de bladblazerbuis op één lijn met de ribbel op de bedieningshandgreep buis, schuif de bladblazerbuis over de bedieningshandgreep buis tot aan de aanslag.
3. Steek de pen van de snelle ontgrendelingshendel in en sluit de hendel op de buisklem.
4. Draai de vleugelmoer aan om de buisklem vast te zetten.

Aansluiting van het conische mondstuk op de bladblazerbuis (afb. E, F)

1. Lijn de groef in het mondstuk uit met de vergrendeling op de buis. Duw het mondstuk over de buis totdat het stevig vastklikt.
2. Om het mondstuk te verwijderen, druk op de ontgrendelingsknop voor het mondstuk en houd deze ingedrukt om de vergrendeling te ontkoppelen. Trek het mondstuk vervolgens recht van de buis van de bladblazer af.

E-1	Mondstuk-vrijgaveknop
E-2	Vergrendeling

GEBRUIK

WAARSCHUWING: Vertrouwdheid kan leiden tot onvoorzichtigheid. Opgelet, één seconde van

onoplettendheid kan ernstig letsel teweegbrengen.

WAARSCHUWING: Gebruik geen opzetstukken of toebehoren die niet door de fabrikant van dit product zijn aanbevolen. Het gebruik van niet aanbevolen opzetstukken of toebehoren kan leiden tot ernstig persoonlijk letsel.

WAARSCHUWING: Verwijder altijd de accu's uit het product wanneer u onderdelen monteert, aanpassingen uitvoert, het product reinigt of wanneer niet in gebruik. Het verwijderen van het accu's voorkomt een toevallige inschakeling dat ernstig persoonlijk letsel kan veroorzaken.

Voor elk gebruik dient u het complete product op beschadigingen, missende of los zittende onderdelen zoals schroeven, moeren, bouten, doppen etc. te controleren. Draai alle bevestigingen en doppen goed vast en gebruik dit product niet totdat alle missende of beschadigde onderdelen zijn vervangen.

WAARSCHUWING: In geval van nood maakt u de borstgesp recht los om de bladblazer uit te doen.

TOEPASSING

U kunt dit product gebruiken voor onderstaand vermelde doeleinden:

- Reinigen van harde oppervlakken zoals opritten en paden.
- Houd terrassen en opritten vrij van bladeren en dennennaalden.

OPMERKING: Het gereedschap mag alleen voor het voorheen genoemde doeleinde worden gebruikt. Ieder ander gebruik is in dit geval misbruik.

INSTALLEREN/VERWIJDEREN VAN DE ACCU'S

OPLADEN VOOR EERSTE INGEBRUIKNAME.

Gebruik alleen met accu's en opladers vermeld in afb. B.

OPMERKING: Voor de beste prestaties adviseren wij het gebruik van een EGO 56V accu met een capaciteit van meer dan 5,0 Ah.

De bladblazer heeft twee actieve accuvakken aan de linker- en rechterzijde van de accuvakbehuizing.

OPMERKING: De bladblazer werkt op een of twee accu's. Het gebruik van twee accu's geeft u een langere looptijd en een efficiënt stroomverbruik dat wordt beheerd door de PEAK POWER™-technologie.

Als een accu is geplaatst in het met 1 of 2 gemarkeerde accuvak op de rugzak plaat, gaat het bijbehorende accu-symbool branden op het LCD-scherm (afb. G) nadat u de bladblazer heeft ingeschakeld.

G-1	Plaatsaanduiding accuvak
-----	--------------------------

■ Hoe te installeren (afb. H)

Breng de ribbels van de accu in een lijn met de montagesleuven en druk de accu naar beneden totdat u “klik” hoort. Herhaal de procedure om de tweede accu te installeren.

■ Hoe te verwijderen (afb. I)

Druk op de accu-ontgrendelingsknoppen en trek de accu's eruit.

⚠ WAARSCHUWING: Houd altijd rekening met de positie van uw voeten, kinderen of huisdieren die zich in de buurt bevinden in het oog wanneer u op de accu-ontgrendelingsknop drukt. Ernstig letsel kan zich voordoen wanneer de accu valt. Verwijder de accu NOOIT wanneer u zich op een hoge positie bevindt.

POSITIONEREN VAN DE RUGZAK BLADBLAZER

⚠ WAARSCHUWING: Draag gepaste kleding om het risico op letsel tijdens gebruik van dit gereedschap te beperken. Draag geen los hangende kleding of sieraden. Draag oog- en oor/gehoorbescherming. Draag een stevige lange broek, laarzen en handschoenen. Draag geen korte broek of sandalen of ga niet blootsvoets.

Het ondersteunende harnas instellen

1. Steek uw armen door de schouderriemen om de bladblazer op uw rug te positioneren.
2. Pas beide schouderriemen aan tot u zich comfortabel voelt met de bladblazer op uw rug (afb. J).
3. Bevestig de borstgesp en stel de lengte indien nodig in (afb. K).
4. Bevestig de heupgesp en stel de lengte in, zodat de rugzak goed wordt ondersteund door uw heupen (afb. L & M).
5. Stel de schouderriemen opnieuw in voor uw veiligheid en comfort. Zorg ervoor, dat de rugzak veilig op uw rug zit, waarbij het gewicht wordt ondersteund door de heupriem en zonder te veel te bewegen als u beweegt (afb. N).
6. Mocht er nog een stuk riem over zijn rond de middel, kunt u deze tussen het elastiek aan één van beide zijden steken (afb. O).
7. Om het gereedschap weer los te maken van uw rug, drukt u gewoon op de heup- en borstgespen om deze los te maken (afb. P).

Aanpassen van de bedienhandgreep

1. Laat de snelle ontgrendelingshendel los om de

bedienhandgreep naar voren of naar achteren te bewegen (afb. Q & R) en vergrendel vervolgens de snelle ontgrendelingshendel om de hendel vast te zetten.

2. U kunt de handgreep indien gewenst voor uw comfort ook draaien (afb. S).

Instellen van de lengte van de bedienhandgreep buis (afb. T1, T2)

1. Maak de snelle ontgrendelingshendel los om de bladblazerbuis in een comfortabele werkpositie te zetten.
2. Zet de snelle ontgrendelingshendel vast om de bladblazerbuis op zijn plaats te houden.

DE BLADBLAZER STARTEN/STOPPEN

Drukschakelaar (afb. U1, U2)

- Druk de drukschakelaar in om de bladblazer aan te zetten. Het LCD-scherm toont de brandstofmeter, het accusymbool en de luchtsnelheidsmeter.
- De luchtsnelheid van de bladblazer wordt geregeld met de drukschakelaar. Hoe verder de drukschakelaar wordt ingedrukt, hoe meer lucht er uit het mondstuk stroomt. Pas de snelheid aan de hand van de taak aan. Het bijbehorende luchtsnelheidssymbool verschijnt op het LCD-scherm.
- Laat de schakelaar los om de bladblazer uit te zetten. Na 6 seconden gaat het LCD-scherm uit.

Turbo-modus

Houd de schakelaar ingedrukt en druk op de turboknop om de luchtstroom te maximaliseren (afb. U1). De turbo-indicator en het ventilatorsymbool branden op het LCD-scherm (afb. U3).

OPMERKING: De bladblazer keert terug naar de vorige snelheid wanneer de turboknop wordt losgelaten.

Cruisecontrol model

De cruisecontrol-modus biedt bediening zonder drukschakelaar.

Om de cruisecontrol-modus in te schakelen:

1. Druk de drukschakelaar in op de gewenste snelheid en houd hem ingedrukt (afb. U1).
2. Druk op de cruisecontrol-knop. Laat de knop los wanneer het symbool van de cruisecontrol op het LCD-scherm verschijnt (afb. U4).
3. Laat de drukschakelaar los, de bladblazer blijft ingeschakeld.

Druk in de cruisecontrol-modus op de turboknop om de luchtsnelheid tijdelijk te verhogen tot het maximum niveau. De bladblazer hervat de vorige snelheid wanneer de turboknop wordt losgelaten.

Om de cruisecontrol-modus uit te schakelen:

Druk nogmaals op de cruisecontrol-knop om de cruisecontrol-modus uit te schakelen. Het cruisecontrol-symbool op het LCD-scherm verdwijnt.

Tips voor het gebruik van de bladblazer

- Gebruik een hark of bezem om het afval los te maken voordat u het wegblaast. In een stoffige omgeving, maak het oppervlak lichtjes nat als geval water aanwezig is.
- Let op voor kinderen, huisdieren, open vensters of pas gewassen auto's. Blaas het vuil op een veilige manier weg.
- Na gebruik van een accubladblazer of ander apparaat, ruim het vuil op!

NL

ONDERHOUD

⚠ WAARSCHUWING: Gebruik voor reparaties uitsluitend identieke reserve-onderdelen. Het gebruik van andere onderdelen kan gevaar opleveren of schade aan het product veroorzaken. Laat alle reparaties uitvoeren door een vakbekwame reparateur om een continue veiligheid en betrouwbaarheid te waarborgen.

⚠ WAARSCHUWING: Om ernstig persoonlijk letsel te voorkomen, dient u de accu voor de reiniging of het onderhoud altijd uit het product te verwijderen.

ALGEMEEN ONDERHOUD

Maak de kunststof onderdelen niet schoon met oplosmiddelen. De meeste kunststoffen kunnen worden beschadigd wanneer ze in contact komen met commerciële oplosmiddelen. Gebruik een schone doek voor het verwijderen van vuil, stof, olie, smeer, etc.

⚠ WAARSCHUWING: Zorg dat remvloeistoffen, benzine, producten op basis van aardolie, oliën, etc. op geen enkel moment met de kunststof onderdelen in aanraking komen. Chemicaliën kunnen de kunststof onderdelen beschadigen, verzwakken of vernietigen en ernstig persoonlijk letsel veroorzaken.

OPSLAG

- Haal de accu uit de bladblazer.
- Verwijder alle vreemde materialen uit de luchtinlaten van de accubladblazer.
- Breng de bladblazerbuis opslagknop in één lijn met de ophanggroef van de buis en haak de buis van de bladblazer op de behuizing van het accuvak (afb. V & W).
- Berg binnenshuis op in een ruimte die voor kinderen ontoegankelijk is. Houd uit de buurt van corrosieve middelen, zoals tuinchemicaliën en strooizout.

V-1	Bladblazerbuis opslagknop
V-2	Groef van de inhaakbuis

Het milieu beschermen



Gooi geen elektrische apparatuur, gebruikte accu's en laders weg via het huishoudelijk afval!

Geef dit product af bij een geautoriseerd recyclingbedrijf en zorg dat het apart kan worden ingezameld. Elektrisch gereedschap moet worden afgegeven voor een milieuvriendelijke recycling.

PROBLEEMOPLOSSING

PROBLEEM	OORZAAK	OPLOSSING
De bladblazer werkt niet.	<ul style="list-style-type: none">■ Er is geen elektrisch contact tussen de bladblazer en accu's.■ De accu's zijn leeg.■ De accu's of de bladblazer zijn te heet.	<ul style="list-style-type: none">■ Verwijder de accu, controleer de contacten en bevestig de accu weer.■ Laad de accu's op.■ Koel de accu's en bladblazer af totdat de temperatuur lager dan 67°C is.
De lichtsnelheid neemt significant af.	<ul style="list-style-type: none">■ De luchtinlaat is verstopt door vuil.■ Buitensporige slijtage van de motorventilator.	<ul style="list-style-type: none">■ Verwijder de accu's, ontdoe van vuil.■ Neem contact op met het servicecentrum van EGO voor reparatie.
Lcd-scherm storing	<ul style="list-style-type: none">■ Lcd-scherm is stuk of slechte bedrading van het lcd-scherm.	<ul style="list-style-type: none">■ Neem contact op met het servicecentrum van EGO voor reparatie.

NL

GARANTIE

EGO-GARANTIEBELEID

Bezoek alstublieft de website egopowerplus.com voor de volledige voorwaarden van het EGO-garantiebeleid.

LÆS ALLE ANVISNINGER!



LÆS BRUGERVEJLEDNINGEN

BEMÆRK: Disse anvisninger skal også være tilgængelige i et alternativt format, f.eks. på et websted.

⚠ Resterende risiko! Folk med elektroniske enheder, såsom pacemakere, skal spørge deres læge til råds, før de bruger dette produkt. Betjening af elektrisk udstyr i umiddelbar nærhed af et hjerte pacemaker kan forårsage forstyrrelser eller svigt af pacemakere.

⚠ ADVARSEL: For at sikre sikkerhed og pålidelighed bør alle reparationer og udskiftninger udføres af en kvalificeret servicetekniker.

DK

SIKKERHEDSSYMBOLER

Formålet med sikkerheds- symboler er at tiltrække din opmærksomhed på mulige farer. Du skal være meget opmærksom på sikkerhedssymbolerne og forklaringerne til dem og lære at forstå dem. Symbolernes advarsler fjerner ikke i sig selv eventuelle farer. De anvisninger og advarsler, de giver ingen erstatninger for ordentlig forebyggelse af ulykker foranstaltninger.

⚠ ADVARSEL: Sørg for at læse og forstå alle sikkerhedsanvisninger i denne brugsanvisning, herunder alle sikkerhedssymboler, såsom "FARE", "ADVARSEL" og »FORSIGTIG", før du bruger dette værktøj. Manglende følge alle anvisninger, der er anført nedenfor, kan det medføre elektrisk stød, brand og / eller alvorlig personskade.

FOREBYGGELSE AF SKADER OG INFORMATIONSMEDELELSER

Disse informerer brugeren om vigtige oplysninger og/eller anvisninger, der kan føre til skader på udstyr eller anden ejendom, hvis de ikke følges. Hver meddelelse indledes med ordet "BEMÆRK", som i eksemplet nedenfor:

BEMÆRK: Der kan ske skade på udstyr og / eller ejendom, hvis disse anvisninger ikke følges.



⚠ ADVARSEL: Når elværktøjer bruges, er der altid en risiko for at genstande slynges ind i øjnene, som kan føre til alvorlige øjenskader. Inden du begynder elværktøj drift, altid bære beskyttelsesbriller eller sikkerhedsbriller med side skjolde og en fuld ansigtsmaske når det er nødvendigt. Vi anbefaler en Wide Vision Safety Maske til brug over briller eller standard sikkerhedsbriller med sideskærme.

SIKKERHEDSANVISNINGER

Denne side viser og beskriver sikkerhedssymboler, der kan være på dette produkt. Læs, forstå og følg alle anvisninger på maskinen, før du forsøger at samle og betjene.



Sikkerhedsadvarsel



Bær altid beskyttelsesbriller eller sikkerhedsbriller med side skjolde og en fuld ansigtsskærm, når du betjener dette produkt.



Bær altid høreværn ved betjening af dette produkt.



For at mindske risikoen for skade skal brugeren læse brugervejledningen, inden produktet tages i brug.



Hold alle omkringstående mindst 15m væk.



Dette produkt er i overensstemmelse med gældende EU-direktiver.

DK



Dette produkt er i overensstemmelse med lovgivningen i Storbritannien.



Elektriske affaldsprodukter må ikke bortskaffes sammen med husholdningsaffald. Tag det til en godkendt genbrugsplads.

V Volt

A Ampere

Hz Hertz

W Watt

min Minutter

m³/h Kubikmeter pr. time

km/h Kilometer pr. time


Jævnstrøm (DC)

n₀ Hastighed uden belastning

... /min Per minut

IPX5 Beskyttelse mod vandstråler

SPECIFIKATIONER

Spænding	56 V 
Maksimal luftmængde	1360 m ³ /t
Maksimal lufthastighed	85 m/s
Maksimal blæsestyrke	26 N
Anbefalet driftstemperatur	-15°C-40°C
Anbefalet opbevaringstemperatur	-20°C-70°C
Løvbleserens vægt (Uden batteri med rør)	7,4 kg
Målt lydeffektniveau L _{WA}	97 dB(A) K = 1,2 dB(A)
Lydtryk ved brugerens øre L _{PA}	86,2 dB(A) K = 2,5 dB(A)
Garanteret lydeffekt L _{WA} (i henhold til 2000/14/EF)	98 dB(A)
Vibration a _h	0,4 m/s ² K=1,5 m/s ²

DK

- Den samlede erklærede vibrationsværdi er målt i overensstemmelse med en standard testmetoden, og den kan bruges til at sammenligne et værktøj med et andet;
- Den samlede angivne vibrationsværdi kan også bruges ved en foreløbig vurdering af eksponeringen.

BEMÆRK: Vibrationsemissionen ved faktisk brug af elværktøjet kan afvige fra den angivne værdi, hvor værktøjet bruges. For at beskytte brugeren, skal brugeren bruge handsker og høreværn i de faktiske brugsforhold.

LISTE OVER DELE I PAKKEN (FIG. A1)

BESKRIVELSE

KEND DIN LØVBLÆSER (fig. A1 og A2)

1. Håndtag
2. Batteriudløserknapper
3. Lås
4. Elektriske kontakter
5. Forreste støttehåndtag
6. Luftindtag
7. Bælge
8. Betjeningsgreb-rør

9. Blæserrør
10. Betjeningsgreb
11. Rygsæk-plade
12. Dup til brug ved opbevaring af blæserør
13. Justerbar bæresele
14. Spids mundstykke
15. Fartpilot-knap
16. LCD-skærm
17. Turbo-knap
18. Tænd/sluk-knap
19. Rille til ophæng af rør
20. Låsehåndtag
21. Energimåler
22. Ventilator-ikon
23. Turbo-indikator
24. Indikator til ventilatorhastighed
25. Fartpilot-ikon
26. Batteri-ikon

⚠ ADVARSEL: Sikker brug af dette produkt kræver en forståelse af oplysningerne om værktøjet og i denne brugsanvisning samt kendskab til det arbejde, du vil udføre. Før brug af dette produkt, fortrolig med alle operativsystemer funktioner og sikkerhedsregler.

SAMLING

⚠ ADVARSEL: Hvis der er dele, der er beskadigede eller mangler, anvendes apparatet ikke, før delene er udskiftet. Brug af dette produkt med beskadigede eller manglende dele kan medføre alvorlig personskade.

⚠ ADVARSEL: Forsøg ikke at ændre dette produkt eller fremstille tilbehør, der ikke anbefales til brug med denne løvblæser. Enhver sådan ændring eller modifikation er misbrug og kan resultere i en farlig situation og føre til eventuel alvorlig personskade.

⚠ ADVARSEL: For at forhindre, at apparatet startes ved et uheld, skal batteripakkerne altid tages ud, når delene sættes på.

MONTERING AF BLÆSERRØRET

Montering af betjeningsgreb-røret på bælgen (fig. C)

1. Sæt den øverste ende af betjeningsgreb-røret så langt ind i bælge, som muligt.
2. Spænd skruen helt i spænderingen på bælgen.

C-1	Spændering
C-2	Skrue

Montering af blæserrøret på betjeningsgreb-røret (fig. D)

- Løsn låsehåndtaget og fjern det og vingemøtrikken på rørklemmen, der sidder fast på blæserrøret.

D-1	Rørklemme
D-2	Vingemøtrik

- Sørg for, at rillen på blæserrøret passer med hævnningen på betjeningsgreb-røret. Tryk blæserrøret så langt som muligt på betjeningsgreb-røret.
- Sæt stiften på låsehåndtaget, og luk håndtaget på rørklemmen.
- Spænd vingemøtrikken for, at spænde rørklemmen på plads.

Montering af det tilspidsede mundstykke på blæserrøret (Fig. E, F)

- Sørg for, at rillen på mundstykket passer med låsen på røret. Tryk mundstykket på røret, indtil det sidder ordentligt fast.
- For at tage mundstykket af, skal du holde udløserknappen til mundstykket nede for, at åbne låsen, og træk derefter mundstykket lige af blæserrøret.

E-1	Udløserknop til mundstykke
E-2	Lås

BETJENING

ADVARSEL: Lad ikke fortrolighed med dette produkt gøre dig skodesløs. Husk på, at det kan føre til alvorlige skader, hvis du ikke er opmærksom i blot et sekund.

ADVARSEL: Anvend ikke tilbehør eller påmonteringer, der ikke anbefales af fabrikanten af dette produkt. Brug af tilbehør eller påmonteringer, der ikke anbefales, kan forårsage alvorlig personskade.

ADVARSEL: Fjern altid batterierne fra produktet, når du monterer dele, foretager justeringer, ved rengøring, eller når det ikke bruges. Fjernelse af batteripakkerne vil forhindre utilsigtet start, der kan forårsage alvorlig personskade.

Før hver brug skal du undersøge hele produktet for skader, manglende eller løse dele, såsom skrue,

møtrikker, bolte, hætter osv. Tilspænd omhyggeligt alle dele og hætter, og betjen ikke dette produkt, før alle manglende eller beskadigede dele er udskiftet.

ADVARSEL: I en nødsituation skal du løsne spændet på brystet, så du kan tage løvblæseren af.

BRUG

Du kan bruge dette produkt til de formål, der er nævnt nedenfor:

- Rydning af hårde overflader, såsom indkørsler og fortove.
- Holde terrasser og indkørsler fri for blade og fyrrenåle.

BEMÆRK: Værktøjet må kun bruges til dets tilsigtede formål. Enhver anden anvendelse anses for at være et tilfælde af misbrug.

INSTALLATION/AFMONTERING AF BATTERIERNE

OPLAD INDEN FØRSTE BRUG.

Må kun bruges med batterier og opladere, der er vist i fig. B.

BEMÆRK: For at få det meste ud af produktet, anbefaler vi at du bruger EGO 56V batterier, med en kapacitet over 5,0 Ah.

Løvblæseren har to aktive batterirum på venstre og højre side af kabinettet.

BEMÆRK: Løvblæseren kan køre med et og to batterier. Hvis der bruges to batterier, forlænges driftstiden og produktet er mere energieffektivt med teknologien PEAK POWER™.

Hvis der er sat et batteri i batterirummet, der er markeret med 1 eller 2 på rygsækpladen, lyser det tilsvarende batteriikon på LCD-skærmen (fig. G) når løvblæseren tændes.

G-1	Mærkning af batterirummenes placering
-----	---------------------------------------

■ Sådan sættes batteriet i (fig. H)

Sørg for at rillerne på batteripakken passer med rillerne i batterirummet, og tryk batteriet ned, indtil du hører et "klik". Gentag processen for at installere det andet batteri.

■ Sådan tages batteriet ud (fig. I)

Tryk på batteriudløserknapperne, og træk batterierne ud.

ADVARSEL: Vær altid opmærksom på dine fødders placering og på børn eller kæledyr omkring dig, når du trykker på udløserknappen til batteripakken. Alvorlig personskade kan opstå, hvis batteriet falder.

DK

Batteripakken på ALDRIG tages ud i en høj højde.

PLACERING AF "RYGSÆK"-BLÆSER

⚠ ADVARSEL: Brug rigtig påklædning for at mindske risikoen for skader, når du betjener dette værktøj. Undgå, at bære løstsiddende tøj eller smykker. Bær øjen- og øre-/hørevern. Bær kraftige, lange bukser, støvler og handsker. Gå ikke i korte bukser, sandaler eller på bare fødder.

Justering af bæreselen

1. Stik armene gennem skulderstropperne, så løvblæseren sidder på ryggen.
2. Juster begge skulderstropper, så løvblæseren sidder behageligt (fig. J).
3. Spænd brystspændet, og justér længden, hvis det er nødvendigt (Fig. K).
4. Spænd taljespændet, og justér længden, så "rygsækken" er godt understøttet af dine hofter (Fig. L og M).
5. Justér skulderstropperne for sikkerhed og komfort. Sørg for, at rygsækken sidder sikkert fast på ryggen, med vægten støttet af taljerebberne, og uden at sidde for løst, når du bevæger dig (fig. N).
6. Stik resten af bæltet omkring taljen ind i elastikken på begge sider (fig. O).
7. For at tage værktøjet af ryggen, skal du blot trykke på talje- og brystspænderne, så de udløses (fig. P).

Justering af betjeningsgrebet

1. Løsn låsehåndtaget for, at flytte betjeningsgrebet frem og tilbage efter behov (fig. Q og R). Lås derefter låsehåndtaget for, at spænde håndtaget på plads.
2. Du kan også dreje grebet, så det sidder mere behageligt (fig. S).

Sådan justeres rørets længde på betjeningsgrebet (fig. T1, T2)

1. Løsn låsehåndtaget for at flytte blæserrøret til en behagelig driftsposition.
2. Lås låsehåndtaget for, at spænde blæserrøret på plads.

SÅDAN STARTES/STOPPES LØVBLÆSEREN

Tænd/sluk-knap (fig. U1, U2)

- Tryk på tænd/sluk-knappen, for at tænde løvblæseren. LCD-skærmen viser brændstofmåleren, batteriikonet og blæsestyrke-indikatoren.
- Løvblæserens luft hastighed styres med tænd/sluk-knappen. Jo længere tænd/sluk-knappen trykkes ned, jo mere luft blæser ud af mundstykket. Juster styrken i

henhold til opgaven. Det tilsvarende lufthastighedsikon vises på LCD-skærmen.

- Slip udløseren for at slukke for blæseren. Efter 6 sekunder slukker LCD-skærmen.

Turbo-tilstand

Hold tænd/sluk-knappen nede, og tryk på turbo-knappen for, at skrue helt op for blæsestyrken (fig. U1). Turbo-indikatoren og ventilatorikonet lyser på LCD-skærmen (fig. U3).

BEMÆRK: Blæseren går tilbage til den forrige hastighed, når turbo-knappen slippes.

Model med fartpilot

Med fartpiloten kan produktet bruges uden tænd/sluk-knappen.

Sådan slås fartpiloten til:

1. Hold tænd/sluk-knappen nede på den ønskede styrke (fig. U1).
2. Tryk på fartpilot-knappen. Slip knappen, når fartpilot-ikonet vises på LCD-skærmen (fig. U4).
3. Slip tænd/sluk-knappen, hvorefter blæseren fortsætter med at køre.

Tryk på turbo-knappen, når fartpiloten er slået til, for at skrue helt op for blæsestyrken midlertidigt. Blæseren går tilbage til den forrige hastighed, når turboknappen slippes.

Sådan slås fartpiloten fra:

Tryk på fartpilot-knappen igen for, at slå fartpiloten fra. Fartpilot-ikonet på LCD-skærmen forsvinder.

Tips til brug af blæseren

- Brug river og koste til at løse skidt og snavs, før der blæses. Hvis der er støvet, så fugt overfladerne let, hvis der er vand i nærheden.
- Hold øje med børn, kæledyr, åbne vinduer eller nyvaskede biler, og blæs skidt og snavs sikkert i den rigtige retning.
- Efter at have brugt løvblæsere eller andet udstyr: Ryd op!

VEDLIGEHOLDELSE

ADVARSEL: Ved service må der kun bruges originale reservedele. Brug af andre reservedele kan medføre fare eller forårsage skader på produktet. For at sikre sikkerhed og pålidelighed, bør alle reparationer udføres af en kvalificeret servicetekniker.

ADVARSEL: For at undgå alvorlig personskade, altid fjern batteriet fra produktet ved rengøring eller udfører vedligeholdelse.

GENEREL VEDLIGEHOLDELSE

Undgå, at bruge opløsningsmidler til rengøring af plastdele. De fleste plastmaterialer risikerer at blive ødelagt, ved brug af forskellige slags alment tilgængelige opløsningsmidler. Brug rene klude til at fjerne snavs, støv, olie, fedt osv.

ADVARSEL: Plastikdelene må aldrig komme i kontakt med bremsevæske, benzin, petroleum-baserede produkter, gennemtrængende olie, osv. Kemikalier kan beskadige, svække og ødelægge plastic, hvilket kan føre til alvorlige personskader.

DK

OPBEVARING

- Fjern batteriet fra blæseren.
- Fjern alle fremmedlegemer fra løvblæserens luftindtag.
- Flugt duppen på blæserrøret med rillen til ophængning af røret, og fastgør blæserslangen på batterihuset (fig. V og W).
- Opbevares indendørs på et sted, der er utilgængeligt for børn. Holdes væk fra ætsende stoffer, såsom havekemikalier og vejsalt.

V-1	Dup til brug ved opbevaring af blæserør
V-2	Rille til ophæng af rør

Beskyttelse af miljøet



Elektrisk udstyr, batterioplader og batterier må ikke smides ud sammen med almindelig husholdningsaffald!

Tag dette produkt til en autoriseret genbrugsplads, og sørg for at det sendes til genbrug. Elektriske værktøjer skal returneres til et miljøkompatibelt genvindingsanlæg.

FEJLFINDING

PROBLEM	ÅRSAG	LØSNING
Løvbløser virker ikke.	<ul style="list-style-type: none">■ Ingen elektrisk kontakt mellem blæseren og batterierne.■ Batterierne er udtømt.■ Batterierne eller blæseren er for varme.	<ul style="list-style-type: none">■ Tag batteriet ud, se kontakterne efter og sæt batteriet i igen.■ Oplad batterierne.■ Afkøl batterierne og løvbløseren, indtil temperaturen falder til under 67°C.
Luftstrømmen bliver betydeligt mindre kraftig.	<ul style="list-style-type: none">■ Luftindtaget er blokeret af skidt og snavs.■ Stærkt slid på motorventilator.	<ul style="list-style-type: none">■ Tag batterierne ud, og fjern skidt.■ Kontakt EGO's servicecenter for reparation
LCD-skærmfejl	<ul style="list-style-type: none">■ LCD-enheden er gået i stykker, eller der er en dårlig ledningsforbindelse til LCD-enheden.	<ul style="list-style-type: none">■ Kontakt EGO's servicecenter for reparation

DK

GARANTI

EGO GARANTI POLITIK

Besøg venligst hjemmesiden egopowerplus.com for fuldstændige vilkår og betingelser for EGO's garantipolitik.

LÄS IGENOM ALLA INSTRUKTIONER!



LÄS IGENOM BRUKSANVISNINGEN

UPPMÄRKSAMMA: Dessa instruktioner skall även vara tillgängliga i ett alternativt format, t.ex. på en webbplats.

⚠ Dolda risker! Personer med elektroniska enheter såsom pacemaker skall rådfråga sin läkare innan denna produkt används. Användning av elektronisk utrustning i närheten av en pacemaker kan orsaka störningar eller fel på pacemakern.

⚠ VARNING: För att garantera säkerheten och pålitligheten skall alla reparationer och utbyten utföras av en kvalificerad servicetekniker.

SÄKERHETSSYMBOLER

SE

Syftet med säkerhetssymboler är att uppmärksamma eventuella faror. Säkerhetssymbolerna och förklaringarna av dessa kräver din fullständiga uppmärksamhet och förståelse. Symbolvarningarna i sig eliminerar inte några faror. Instruktionerna och varningarna som ges är inte något substitut för korrekta åtgärder för förhindrande av olyckor.

⚠ VARNING: Var noga med att läsa igenom och förstå alla säkerhetsinstruktioner i denna bruksanvisning, inklusive alla varningssymboler såsom **"FARA"**, **"VARNING"** och **"FÖRSIKTIGHET"** innan detta verktyg används. Underlåtenhet att läsa alla instruktioner som listas nedan kan resultera i elektrisk stöt, brand och/eller allvarlig personskada.

FÖREBYGGANDE AV SKADA OCH INFORMATIONSMEDDELANDEN

Dessa informerar användaren om viktig information och/eller instruktioner som kan leda till att utrustningen eller annan egendom kan skadas om de inte följs. Varje meddelande föregås av ordet **"UPPMÄRKSAMMA"**, såsom i exemplet nedan:

UPPMÄRKSAMMA: Utrustningen och/eller egendom kan skadas om dessa instruktioner inte följs.



⚠ VARNING: Användning av något elverktyg kan resultera i att främmande föremål kastas in i dina ögon vilket kan resultera i allvarliga ögonskador. Innan elverktyget börjar användas skall alltid skyddsglasögon eller skyddsglasögon med sidoskydd och full ansiktsskydd användas när så behövs. Vi rekommenderar att en ansiktsmask med brett synfält används ovanpå glasögonen eller standard skyddsglasögon med sidoskydd.

SÄKERHETSINSTRUKTIONER

Denna sida framställer och beskriver säkerhetssymboler som kan visas på denna produkt. Läs igenom, förstå och följ alla instruktioner på maskinen innan försök görs att montera och hantera den.



Säkerhetslarm



Använd alltid skyddsglasögon eller säkerhetsglasögon med sidoskydd och en full ansiktsmask när denna produkt används.



Använd alltid hörselskydd när denna produkt används.



För att minska risken för personskador måste användaren läsa igenom och förstå bruksanvisningen innan denna produkt används.

SE



Håll alla åskådare på ett avstånd av minst 15 meter.



Denna produkt är i enlighet med gällande EG-direktiv.

UK
CA

Denna produkt uppfyller tillämpliga lagar i Storbritannien.



Förbrukade elektriska produkter får inte kastas i hushållssoporna. Lämna in dem till en auktoriserad återvinningsstation.

V Volt

A Ampere

Hz Hertz

W Watt

min Minuter

m³/h Kubikmeter per timme

km/h Kilometer per timme

≡ Likström

n₀ Tomgångshastighet

.../min Per minut

IPX5 Skydd mot vattenstrålar

SPECIFIKATIONER

Spänning	56 V
Maximal luftvolym	1360 m ³ /h
Maximal lufthastighet	85 m/s
Maximal fläktkraft	26 N
Rekommenderad drifttemperatur	-15°C-40°C
Rekommenderad förvaringstemperatur	-20°C-70°C
Lövlåsarens vikt (Utan batteri med rör)	7,4 kg
Uppmätt ljudeffektnivå L _{WA}	97 dB(A) K=1,2 dB(A)
Ljudtrycksnivå vid operatörens öra L _{PA}	86,2 dB(A) K=2,5 dB(A)
Garanterad ljudeffektnivå L _{WA} (enligt 2000/14/EC)	98 dB(A)
Vibration a _n	0,4 m/s ² K=1,5 m/s ²

- Det deklarerade totala vibrationsvärdet har uppmätts i enlighet med en standardtestmetod och kan användas för att jämföra ett verktyg med ett annat.
- Det deklarerade totala vibrationsvärdet kan också användas i en preliminär utvärdering av exponeringen.

UPPMÄRKSAMMA: Vibrationsutstrålningen under verklig användning av elverktyg kan skilja sig från det deklarerade värdet i vilken verktyget används. För att skydda användaren skall skyddshandskar och hörselskydd användas under faktiska användningsförhållandet.

FÖRPACKNINGSLISTA (BILD A1)

BESKRIVNING

LÄRA KÄNNA DIN LÖVBLÅS (bild A1 och A2)

1. Handtag
2. Låsknapp för batteriet
3. Spärrhake
4. Elektriska kontakter
5. Hjälpbandtag
6. Luftintag
7. Bälge
8. Kontrollhandtag rör

9. Blåsrör
10. Styrhandtag
11. Ryggsäcksplatta
12. Blåsrörets förvaringsvred
13. Justerbar stödele
14. Spetsigt munstycke
15. Farthållare knapp
16. LCD-skärm
17. Turbo-knapp
18. Avtryckare
19. Skåra för rörupphängning
20. Snabbblåsspak
21. Bränslemätare
22. Fläktikon
23. Turbo-indikator
24. Indikator för luft
25. Ikon farthållare
26. Batteriikon

⚠ VARNING: För att använda denna produkt på ett säkert sätt krävs det att verktygets information och bruksanvisning har förståtts samt kunskap om det projekt som påbörjas. Innan du använder denna produkt, bekanta dig med alla driftfunktioner och säkerhetsregler.

MONTERING

⚠ VARNING: Om någon del är skadad eller saknas skall inte denna produkt användas innan delarna ersatts. Användning av denna produkt om den är skadad eller saknar delar kan resultera i allvarliga personskador.

⚠ VARNING: Försök inte att modifiera denna produkt eller skapa tillbehör som inte rekommenderas för användning med denna lövblåsa. Alla sådana ändringar eller modifieringar är missbruk och kan resultera i allvarliga situationer som kan leda till allvarliga personskador.

⚠ VARNING: För att förhindra oavsiktlig start som kan orsaka allvarliga personskador skall alltid batteripaketet tas bort från verktyget innan delar monteras.

MONTERA BLÅSRÖREN

Ansluta styrhandtagets rörenhet till bälgen (bild C)

1. Sätt in den övre änden av kontrollhandtagets rör i bälgen så långt det går.
2. Dra åt skruven helt i klämkragen på bälgen.

SE

C-1	Fastklämmingsspak
C-2	Skruv

Ansluta blåsroret till kontrollhandtagets rör (bild D)

- Lossa och ta bort snabbspaken och vingmuttern från rörklämenheten som är fäst på blåsroret.

D-1	Rörklämma
D-2	Vingmutter

- Rikta in spåret i blåsroret med ribban på kontrollhandtagets rör, skjut blåsroret över kontrollhandtagets rör så långt det går.
- Sätt in stiftet på snabbspaken och stäng spaken på rörklämmen.
- Dra åt vingmuttern för att fästa rörklämmen på plats.

Anslut det avsmalnande munstycket till blåsroret (bild E, F)

- Rikta in spåret i munstycket med spärren på röret. Tryck munstycket över röret tills det snäpper på plats.
- Tryck in och håll ner munstyckets låsknapp för att öppna spärren och dra sedan munstycket rakt ut från lövblåsarens rör.

E-1	Låsknapp för munstycke
E-2	Spärrhake

DRIFT

⚠ VARNING: Bli inte vårdslös bara för att du är bekant med denna produkt. Kom ihåg att oaktsamhet under en bråkdel av en sekund är tillräcklig för att orsaka allvarliga skador.

⚠ VARNING: Använd inga andra tillsatser eller tillbehör än de som rekommenderas av tillverkaren av denna produkt. Användning av tillbehör eller tillsatser som inte rekommenderas kan resultera i allvarlig personskada.

⚠ VARNING: Ta alltid bort batteripaketet från produkten vid montering av delar, justeringar, rengöring eller när den inte ska användas. När batteripaketet tas bort förhindrar det oavsiktliga starter som kan orsaka allvarliga personskador.

Inspektera hela produkten innan varje användning om där finns skador, saknade eller lösa delar såsom skruvar, muttrar, bultar, höljen etc. Dra åt alla fästelement och lock och använd inte denna produkt innan alla saknade eller skadade delar bytts ut.

⚠ VARNING: Om du stöter på en nödsituation, separera bröstspännet rakt för att ta av blåsaren.

ANVÄNDNING

Du kan använda denna produkt för de tillämpningar som listas nedan:

- Rensa hårda ytor som t.ex. uppfarter och gångvägar.
- Hålla däck och uppfarter fritt från löv och kottar.

UPPMÄRKSAMMA: Verktøget får enbart användas för det föreskrivna ändamålet. All annan användning betraktas som missbruk.

INSTALLERA/TA BORT BATTERIERNA

LADDA INNAN FÖRSTA ANVÄNDNING.

Använd endast med batterier och laddare listade bild B.

UPPMÄRKSAMMA: För bästa prestanda rekommenderar vi att du använder ett EGO 56V-batterier med en kapacitet högre än 5,0 Ah.

Lövblåsaren har två aktiva batterifack på vänster och höger sida av batterifackets hölje.

NOTERA: Lövblåsaren kan fungera med ett eller två batterier. Användning av två batterier ger dig en längre körtid och effektiv effektutdragning som hanteras av PEAK POWER™-tekniken.

Om ett batteri har satts in i batterifacket märkt med 1 eller 2 på ryggsäckplattan tänds motsvarande batteriikon på LCD-skärmen (bild G) när du slår på lövblåsaren.

G-1	Positionsmarkering batterifack
-----	--------------------------------

▪ Installation (bild H)

Rikta in batteriets räfflor mot öppningarna i monteringsöppningen och tryck ned batteripaketet tills du hör ett "klick". Upprepa processen för att installera det andra batteriet.

▪ Borttagning (bild I)

Tryck ner batteriets låsknappar och dra ut batterierna.

⚠ VARNING: Var alltid noga med att se var du har dina fötter, barn eller husdjur när du trycker in låsknappen för batteriet. Allvarliga personskador kan inträffa om batteripaketet tappas. Ta ALDRIG ut batteripaketet när du är på en hög plats.

POSITIONERA LÖVBLÅSAREN MED AXELSELE

⚠ VARNING: Använd korrekta kläder för att minska risken för personskador vid användning av detta verktyg. Bär inte löst sittande kläder eller smycken. Använd ögon- och öron-/hörselskydd. Använd rejäla långbyxor, kängor och handskar. Använd inte kortbyxor, sandaler eller gå barfota.

Justera stödselen

1. För armarna genom axelselens remmar för att stödja lövblåsaren på din rygg.
2. Justera båda axelremmarna tills du känner dig bekväm med fläkten på ryggen (bild J).
3. Knäpp fast bröstspännet och justera längden om nödvändigt (bild K).
4. Knäpp fast midjespännet och justera dess längd så att axelselen stöds ordentligt av dina höfter (bild L och M).
5. Justera axelremmarna för säker och bekväm användning. Se till att selen sitter korrekt över ryggen, med vikten som stöds av midjebältet, och utan att den flyttas för mycket när du rör dig (bild N).
6. För in bältets extralängd runt midjan i resåren på båda sidorna (bild O).
7. För att ta bort verktyget från ryggen, tryck bara på midje- och bröstspännena för att lossa dem (bild P).

Justera kontrollhandtaget

1. Lossa snabbspaken för att flytta manöverhandtaget framåt eller bakåt efter behov (bild Q & R) och sätt sedan in snabbblåsspaken för att fästa handtaget på plats.
2. Du kan även vrida handtaget om det blir bekvämare (bild S).

Justera kontrollhandtagets rörlängd (bild T1, T2)

1. Lossa snabbblåsspaken för att flytta lövblåsröret till ett arbetsläge.
2. Koppla in snabbblåsspaken för att fästa fläktröret på plats.

STARTA/STOPPA LÖVBLÅSAREN

Avtryckaromkopplare (bild U1, U2)

- Tryck på avtryckaren för att slå på lövblåsaren. LCD-skärmen visar bränslemätaren, batteriikonen, lufthastighetsindikatorn.
- Lövblåsarens lufthastighet styrs med avtryckaren. Ju längre avtryckaren är nedtryckt, desto mer luft strömmar ut ur munstycket. Ställ in hastigheten så den passar uppgiften. Motsvarande lufthastighetsikon visas på LCD-skärmen.
- Släpp avtryckaren för att stänga av lövblåsaren. Efter 6 sekunder stängs LCD-skärmen av.

Turbo-läge

Tryck på turbo-knappen med avtryckaren nedtryckt för att maximera luftflödet (bild U1). Turbo-indikatorn och fläktikonen tänds på LCD-skärmen (bild U3).

NOTERA: Lövblåsaren återgår till föregående hastighet när turboknappen släpps.

Farthållarmodell

Farthållarläget erbjuder drift utan avtryckaren.

Så här aktiverar du farthållarläget:

1. Tryck ned och håll avtryckaren intryckt vid önskad hastighet (bild U1).
2. Tryck på farthållarknappen. Släpp knappen efter att farthållaren visas på LCD-skärmen (bild U4).
3. Släpp avtryckaren, fläkten fortsätter att blåsa.

Tryck på turbo-knappen under farthållarläge kan tillfälligt öka lufthastigheten till den maximala nivån. Fläkten återupptar föregående hastighet när turboknappen släpps.

SE

Så här kopplar du ur farthållarläget:

Tryck på farthållarknappen igen för att koppla ur farthållarläget. Farthållaren på LCD-skärmen försvinner.

Tips för att använda fläkten

- Använd krattor och sopborstar för att lossa på skräpet före lövblåsaren används. I dammiga förhållanden, fukta ytan något när vatten finns tillgängligt.
- Se upp för barn, husdjur, öppna fönster och nytvättade bilar och blås sedan bort skräpet på ett säkert sätt.
- Plocka upp småskräp efter att du har använt lövblåsaren eller annan utrustning!

UNDERHÅLL

⚠ VARNING: Vid service ska enbart identiska utbyteskomponenter användas. Användning av andra delar kan skapa risker eller orsaka produktskador. För att garantera en säker och pålitlig användning måste alla reparationer utföras av en kvalificerad servicetekniker.

⚠ VARNING: För att undvika allvarliga personsador, ta alltid ut batteripaketet ur produkten vid rengöring eller underhåll.

ALLMÄNT UNDERHÅLL

Använd inte lösningsmedel när du rengör plastdelarna. De flesta plaster är känsliga för skador från olika typer av kommersiella lösningsmedel och kan skadas av dess användning. Använd rena trasor för att ta bort smuts, damm, olja, fett osv.

⚠ VARNING: Låt aldrig bromsvätska, bensin, petroleumbaserade produkter, penetrerande oljor etc. komma i kontakt med plastdelar. Kemikalier kan skada, försvaga eller förstöra plast, vilket kan resultera i allvarliga personskador.

FÖRVARING

- Ta bort batteriet från fläkten.
- Ta bort allt främmande material från luftintagen på lövblåsaren.
- Rikta in blåsrörets utstickare med skåran för upphängning och haka blåsröret på batterifackets hölje (bild V och W).
- Förvara i ett slutet utrymme som är utom räckhåll för barn. Håll den borta från frätande medel som t.ex. trädgårdskemikalier och vägsalt.

SE

V-1	Blåsrörets förvaringsvred
V-2	Skåra för upphängning

Skydda miljön



Kasta inte elektrisk utrustning, använt batteri och laddare i hushållssoporna!

Ta denna produkt till en auktoriserad återvinnare och gör den tillgänglig för separat insamling. Elektriska verktyg måste returneras till en miljöanpassad återvinningsanläggning.

FELSÖKNING

PROBLEM	ORSAK	LÖSNING
Lövlåsaren fungerar inte.	<ul style="list-style-type: none">■ Ingen elektrisk kontakt mellan fläkten och batterierna.■ Batterierna är tömda.■ Batterierna eller fläkten är för varmt.	<ul style="list-style-type: none">■ Ta bort batteriet, kontrollera kontaktarna och sätt tillbaka batteriet.■ Ladda batterierna.■ Låt batteripaketet och lövlåsaren svalna tills temperaturen sjunker under 67°C.
Lufthastigheten minskas avsevärt.	<ul style="list-style-type: none">■ Luftintaget är blockerat av skräp.■ Kraftigt slitage på motorfläkten.	<ul style="list-style-type: none">■ Ta bort batterierna, rensa skräpet.■ Kontakta ett EGO servicecenter för reparation.
LCD-skärmfel.	<ul style="list-style-type: none">■ LCD-enheten är trasig eller dålig kabelanslutning för LCD-enheten.	<ul style="list-style-type: none">■ Kontakta ett EGO servicecenter för reparation.

SE

GARANTI

EGO GARANTIPOLICY

Besök webbsidan egopowerplus.com för fullständiga villkor för EGO garantipolicy.

LUE KAIKKI OHJEET!



LUE KÄYTTÖOPAS

HUOMAUTUS: Nämä ohjeet ovat saatavilla myös vaihtoehtoisessa formaatissa, esim. verkkosivustolla.

⚠ Jäännösriski! Henkilöiden, joilla on sydämentahdistin tai muu vastaava elektroninen laite, tulisi keskustella lääkärin kanssa ennen tämän tuotteen käyttöä. Sähkölaitteiden käyttö sydämentahdistimen lähettyvillä saattaa häiritä tahdistimen toimintaa tai aiheuttaa vakavan toimintahäiriön.

⚠ VAROITUS: Anna asiantuntevan huoltoteknikon tehdä kaikki korjaukset ja osien vaihdot, jotta laite on varmasti turvallinen ja luotettava.

TURVALLISUUSYMBOLIT

FI

Turvallisuussymbolien tarkoituksena on kiinnittää huomiota mahdollisiin vaaroihin. Turvallisuussymbolit ja niiden selitykset on syytä lukea tarkkaan ja ymmärtää perusteellisesti. Varoitussymbolit eivät yksin poista vaaran mahdollisuutta. Niiden antamat ohjeet ja varoitukset eivät korvaa kunnollisia onnettomuuksien ehkäisytoimenpiteitä.

⚠ VAROITUS: Lue ja ymmärrä tämän käyttöoppaan kaikki turvallisuusohjeet, mukaan lukien turvallisuusvaroitussymbolit, kuten "VAARA", "VAROITUS" ja "HUOMIO" ennen laitteen käyttämistä. Alla olevien ohjeiden noudattamatta jättäminen saattaa aiheuttaa sähköiskun, tulipalon ja/tai vakavan henkilökohtaisen vamman.

VAHINKOJEN EHKÄISEMINEN JA TIEDOTUSVIESTIT

Viestit kertovat käyttäjälle tärkeää tietoa ja/tai ohjeita, joiden noudattamatta jättäminen saattaa aiheuttaa laitteen tai muun omaisuuden vahingoittumisen. Ennen jokaista viestiä on sana "HUOMAUTUS", kuten alla olevassa esimerkissä:

⚠ HUOMAUTUS: Ohjeiden noudattamatta jättäminen saattaa aiheuttaa laitteen tai muun omaisuuden vahingoittumisen.



⚠ VAROITUS: Minkä tahansa sähkötyökalun käyttö saattaa aiheuttaa vierasesineiden sinkoutumisen silmiin, mikä voi aiheuttaa vakavia silmävammoja. Käytä aina suojalaseja, joissa on sivusuojat, ja tarvittaessa koko kasvat peittävää suojaa, kun käytät sähkötyökaluja. Silmälasien päällä suosittelemme käytettäväksi suojamaskia, jossa on laaja näkökenttä, tai tavallisia suojalaseja, joissa on sivusuojat.

TURVALLISUUSOHJEET

Tällä sivulla kuvataan ja esitellään turvallisuussymbolit, jotka saattavat esiintyä tässä tuotteessa. Lue, ymmärrä ja noudata kaikkia laitteen ohjeita ennen kuin yrität koota sen tai käyttää sitä.



Turvallisuushälytys



Käytä aina suojalaseja tai sivusuojilla varustettuja suojalaseja ja kokonaamarina, kun käytät tätä tuotetta.



Käytä aina kuulosuojaimia, kun käytät laitetta.



Käyttäjän tulee ennen tuotteen käyttämistä lukea käyttöopas loukkaantumisvaaran pienentämiseksi.



Pidä kaikki sivulliset ainakin 15 metrin päässä.



Tämä tuote vastaa sovellettavia EU-direktiivejä.

FI



Tämä tuote vastaa sovellettavaa UK-lainsäädäntöä.



Vanhoja sähkölaitteita ei saa hävittää kotitalousjätteen mukana. Vie laite valtuutettuun kierrätyslaitokseen.

V Voltti

A Ampeeri

Hz Hertsiä

W Wattia

min Minuutti

m³/h Kuutiometriä per tunti

km/t Kilometriä per tunti


☰ Tasavirta

n₀ Tyhjäkäyntinopeus

... /min per minuutti

IPX5 Suojaus vesisuihkuilt

TEKNISET TIEDOT

Jännite	56 V 
Suurin ilmamäärä	1360 m ³ /h
Suurin ilmannoisuus	85 m/s
Suurin puhallusvoima	26 N
Suosittelut käyttölämpötila	-15°C-40°C
Suosittelut säilytyslämpötila	-20°C-70°C
Puhaltimen paino (ilman akkua putkella)	7,4 kg
Mitattu äänitehotaso L _{WA}	97 dB(A) K=1,2 dB(A)
Äänenpaineen taso käyttäjän korvien tasolla L _{PA}	86,2 dB(A) K=2,5 dB(A)
Taattu äänitehotaso L _{WA} (direktiivin 2000/14/EY mukaan)	98 dB(A)
Tärinä a _n	0,4 m/s ² K=1,5 m/s ²

- Ilmoitettu tärinän kokonaispäästöarvo on mitattu standarditestausmenetelmän mukaisesti, ja sen avulla voidaan vertailla työkaluja keskenään;
- Ilmoitettua tärinän kokonaispäästöarvoa voidaan käyttää myös altistumisen alustavaan arviointiin.

HUOMAUTUS: Työkalun käytön aikana mitattu todellinen tärinäpäästöarvo voi poiketa ilmoitetusta kokonaispäästöarvosta työkalun käyttötavasta johtuen; käyttäjän suojaamiseksi tulee käyttää käsineitä ja kuulosuojaimia varsinaisissa käyttöolosuhteissa.

PAKKAUSLUETTELO (KUVA A1)

KUVAUS

TUNNE PUHALTIMESI (kuvat A1 ja A2)

1. Kahva
2. Akun vapautuspainikkeet
3. Salpa
4. Sähköliitännät
5. Apukahva
6. Ilmanotto
7. Palkeet
8. Ohjauskahvan putki

9. Puhaltimen putki
10. Ohjauskahva
11. Reppulevy
12. Puhaltimen putken säilytysnappi
13. Säädettävät tukivaljaat
14. Kapeneva suutin
15. Vakionopeussäätimen painike
16. LCD-näyttö
17. Turbo-painike
18. Liipaisinkytkin
19. Putken ripustusura
20. Pikavapautusvipu
21. Akkutehomittari
22. Tuulettimen kuvake
23. Turbo-merkivalo
24. Ilmannoisuuden merkivalo
25. Vakionopeussäätimen kuvake
26. Akkukuvake

VAROITUS: Tämän tuotteen turvallinen käyttö vaatii sen, että ymmärrät laitteen ja tämän käyttöohjeen tarjoamat tiedot ja että tunnet projektin, jonka aiot toteuttaa. Ennen kuin käytät laitetta, tutustu kaikkiin sen käyttöominaisuuksiin ja turvallisuusmääräyksiin.

KOKOAMINEN

VAROITUS: Jos jokin osa on vahingoittunut tai puuttuu, älä käytä tuotetta ennen kuin osat on vaihdettu. Tuotteen käyttö voittuneilla tai puuttuvilla osilla voi aiheuttaa vakavan henkilövahingon.

VAROITUS: Älä yritä muokata tätä laitetta tai luoda sille lisävarusteita, joita ei suositella käytettäväksi tämän puhaltimen kanssa. Mikä tahansa tällainen muokaus tai muutos on väärinkäyttö ja saattaa aiheuttaa vaarallisen tilan, joka saattaa johtaa vakavaan henkilövammaan.

VAROITUS: Poista akut työkalusta aina, kun kokoat osia. Näin varmistat, ettei laite käynnisty vahingossa eikä aiheuta vakavia henkilövahinkoja.

PUHALTIMEN PUTKIEN KOKOAMINEN

Ohjauskahvan putkikokoonpanon liittäminen palkeisiin (kuva C)

1. Työnnä ohjauskahvan putken yläpää palkeisiin niin pitkälle kuin se menee.
2. Kiristä palkeiden kiinnityskauluksen ruuvi kokonaan.

C-1	Kiinnityskaulus
C-2	Ruuvi

Puhaltimen putken liittäminen ohjauskahvan putkeen (kuva D)

1. Löysää ja irrota pikavapautusvipu ja siipimutteri puhaltimen putken kiinnitetystä putken kiinnityskokoonpanosta.

D-1	Putken puristin
D-2	Siipimutteri

2. Kohdista puhaltimen putken ura ohjauskahvan putken kohoumaan, liu'uta puhaltimen putki ohjauskahvan putken yli niin pitkälle kuin se menee.
3. Työnnä pikavapautusvivun tappi paikalleen ja sulje vipu putken puristimeen.
4. Kiristä siipimutteri kiinnittäaksesi putken puristimen paikalleen.

Kapenevan suuttimen liittäminen puhaltimen putkeen (kuvat E, F)

1. Kohdista suuttimen ura putken salpaan. Paina suutin putken päälle, kunnes se napsahtaa kunnolla paikalleen.
2. Poista suutin pitämällä suuttimen vapautuspainiketta painettuna salvan vapauttamiseksi, vedä sitten suutin suoraan irti puhaltimen putkesta.

E-1	Suuttimen vapautuspainike
E-2	Salpa

KÄYTTÖ

VAROITUS: Älä anna tämän laitteen tuttuuden tehdä sen käsittelystä huolimattomuutta. Muista, että sekunnin sadasosan huolimattomuus riittää vakavan vamman aiheutumiseen.

VAROITUS: Älä käytä lisälaitteita tai lisävarusteita, jos tämän tuotteen valmistaja ei ole suositellut niitä. Tällaisten lisävarusteiden tai apuvälineiden käyttö saattaa aiheuttaa vakavia henkilövahinkoja.

VAROITUS: Poista akut laitteesta aina, kun kokoat osia, teet muutoksia tai puhdistat laitetta tai kun et käytä sitä. Näin varmistat, ettei laite käynnisty vahingossa, mikä voi aiheuttaa vakavia henkilövahinkoja.

Ennen jokaista käyttökertaa tarkista laite kokonaisuudessaan vahingoittuneiden, puuttuvien tai

löysin osien varalta (esim. mutterit, pultit, korkit yms.). Kiinnitä kaikki kiinnittimet ja kannet tiukasti, äläkä käytä laitetta ennen kuin kaikki puuttuvat tai vahingoittuneet osat on vaihdettu.

VAROITUS: Jos joudut hätätilanteeseen, irrota rintasolki suoraan puhaltimen poistamiseksi.

KÄYTTÄMINEN

Tätä laitetta voi käyttää seuraavassa mainittuihin tarkoituksiin:

- Koven pintojen, kuten ajoteiden ja jalkakäytävien, puhdistamiseen.
- Tasanteiden ja ajoteiden puhdistaminen lehdistä ja neulasista.

HUOMAUTUS: Työkalua tulee käyttää vain sille määritettyyn tarkoitukseen. Kaikki muu käyttö katsotaan väärinkäytöksi.

PARISTOJEN ASENTAMINEN/IRROTTAMINEN

LATAA ENNEN ENSIMMÄISTÄ KÄYTTÖKERTAA.

Käytä vain akkujen ja laturien kanssa, jotka on luettu kuvassa B.

HUOMAUTUS: Parhaan suorituskyvyn saavuttamiseksi suosittelemme minkä tahansa EGO 56 V akun käyttöä, jonka kapasiteetti on yli 5,0 Ah.

Puhaltimessa on kaksi aktiivista akkulokeroa akkulokeron kotelon vasemmalla ja oikealla puolella.

HUOMAA: Puhallin voi toimia yhdellä tai kahdella paristolla. Kahden akun käyttö antaa sinulle pidemmän käyttöajan ja tehokkaan virranoton, jota hallitaan PEAK POWER™ -tekniikalla.

Jos akku on asetettu akkulokeroon, jossa on merkintä 1 tai 2 reppulevyssä, vastaava akkukuvake syttyy LCD-näytössä (kuva G), kun olet käynnistänyt puhaltimen.

G-1	Akkulokeron sijaintimerkki
-----	----------------------------

■ Asentaminen (kuva H)

Aseta akun urat kiinnitysaukkoihin ja paina akkua alaspäin, kunnes kuulet "naksahduksen". Toista prosessi toisen akun asentamiseksi.

■ Poistaminen (kuva I)

Paina akun vapautuspainikkeita ja vedä akut ulos.

VAROITUS: Huomioi aina, missä omat jalkasi, lapset tai lemmikit ovat, kun painat akun vapautuspainiketta. Jos akku putoaa, se voi aiheuttaa vakavan vamman. Älä IKINÄ poista akkua, jos se sijaitsee korkealla.

SELÄSSÄ KANNETTAVAN PUHALTIMEN

ASETTAMINEN

VAROITUS: Pukeudu asianmukaisesti välttääksesi loukkaantumisvaaran työkalua käyttäessäsi. Älä käytä väliä vaatteita tai koruja. Käytä suojalaseja ja kuulosuojaimia. Käytä paksuja, pitkälahkeisia housuja, kunnollisia jalkineita ja suojakäsineitä. Älä käytä lyhyttahkeisia housuja, sandaaleita tai ole paljain jaloin.

Tukivaljaiden säätäminen

1. Työnnä kätesi olkahihnojen läpi tukemaan puhallinta selässäsi.
2. Säädä molempia olkahihnoja, kunnes tunnet olosi mukavaksi puhallin selässäsi (kuva J).
3. Napsauta rintahihnan solkea ja säädä se tarvittavaan pituuteen (kuva K).
4. Napsauta vyötäröhihnan solkea ja säädä se sellaiseen pituuteen, että selkänannatin on kunnolla tuettu lanteeseen (kuvat L ja M).
5. Säädä olkahihnat uudelleen turvallisuuden ja mukavuuden takia. Varmista, että selkäreppu istuu tukevasti selässäsi, vyötäröhihna tukee painoa, eikä laite siirry, kun liikut (kuva N).
6. Työnnä kaikki ylimääräinen hihnanpituus vyötärön ympäriltä kummassakin sivussa olevaan kuminauhaan (kuva O).
7. Voit irrottaa työkalun selästä avaamalla vyötärö- ja rintahihnan soljet painamalla (kuva P).

Ohjaukshavan säätäminen

1. Vapauta pikavapautusvipu siirtääksesi ohjaukshavaa eteen- tai taaksepäin tarpeen mukaan (kuvat Q ja R) ja kiinnitä sitten pikavapautusvipu kiinnittääksesi kahvan paikalleen.
2. Voit myös kiertää kahvaa tarpeen mukaan käyttömukavuuden lisäämiseksi (kuva S).

Ohjaukshavan putken pituuden säätäminen (kuvat T1, T2)

1. Vapauta pikavapautusvipu siirtääksesi puhaltimen putken mukavaan käyttöasentoon.
2. Kiinnitä pikavapautusvipu kiinnittääksesi puhaltimen putken paikalleen.

PUHALTIMEN KÄYNNISTÄMINEN/PYSÄYTTÄMINEN

Liipaisinkytkin (kuvat U1, U2)

- Kytke puhallin päälle painamalla liipaisinkytkintä. LCD-näytössä näkyy akkutehomittari, akkukuvake, ilmannoepuden merkkivalo.

- Puhaltimen ilmannoepuutta säädetään liipaisinkytkimellä. Mitä enemmän liipaisinkytkintä painetaan, sitä enemmän ilmaa virtaa suuttimesta. Säädä ilman nopeus tehtävän työn mukaan. Vastaava ilmannoepuden kuvake näkyy LCD-näytössä.
- Sammuta puhallin vapauttamalla liipaisin. 6 sekunnin kuluttua LCD-näyttö sammuu.

Turbo-tila

Samalla kun pidät liipaisinta painettuna, paina turbo-painiketta maksimoidaksesi ilmavirran (kuva U1). Turbon merkkivalo ja tuulettime kuvake syttyvät LCD-näytössä (kuva U3).

HUOMAA: Puhallin palaa edelliseen nopeuteen, kun turbo-painike vapautetaan.

Vakionopeussäätimen malli

Vakionopeussäädintila tarjoaa toimintoja ilman liipaisinkytkintä.

Vakionopeussäädintilan kytkeminen:

1. Pidä liipaisinkytkintä painettuna halutulla nopeudella (kuva U1).
2. Paina vakionopeussäätimen painiketta. Vapauta painike, kun vakionopeussäätimen kuvake tulee näkyviin LCD-näyttöön (kuva U4).
3. Vapauta liipaisinkytkin, puhallin jatkaa käymistä.

Turbo-painikkeen painaminen vakionopeussäädintilassa voi väliaikaisesti lisätä ilmannoepuden maksimitasolle. Puhallin jatkaa edellisellä nopeudella, kun turbopainike vapautetaan.

Vakionopeussäädintilan kytkeminen pois päältä:

Kytke vakionopeussäädintila pois päältä painamalla vakionopeussäädinpainiketta uudelleen. LCD-näytön vakionopeussäätimen kuvake katoaa.

Vinkejä puhaltimen käyttöön

- Käytä haravia ja luotia irtoaineksen irrottamiseksi ennen puhaltamista. Kostuta pintoja hieman pölyisissä olosuhteissa, jos vettä on saatavilla.
- Varo lapsia, lemmikkejä, avoimia ikkunoita tai juuri pestyjä autoja ja pidä huolta, että puhallat irtoaineksen turvallisesti pois.
- Kun olet käyttänyt puhaltimia tai muita laitteita, siivoa jälkesi!

HUOLTAMINEN

VAROITUS: Käytä huollon yhteydessä vain identtisiä varaosia. Muiden osien käyttö saattaa aiheuttaa vaaran tai laitteen vaurioitumisen. Pätevän huoltoteknikon tulee suorittaa kaikki korjaukset, jotta voidaan taata tuotteen turvallinen ja luotettava käyttö.

VAROITUS: Poista akku aina tuotteesta, kun puhdistat sitä tai teet huoltotoimenpiteitä. Näin vältät vakavat henkilövahingot.

YLEINEN KUNNOSSAPITO

Vältä liuotainaineiden käyttöä, kun puhdistat muoviosia. Useimmat muovit ovat herkkiä vaurioitumaan erilaisista kaupallisista liuottimista ja voivat vaurioitua niiden käytöstä. Poista lika, pöly, öljy, rasva ym. puhtaalla liinalla.

VAROITUS: Älä anna jarrunesteiden, bensiinin, ruosteen irrotusaineiden tai muiden öljypohjaisten tuotteiden joutua kosketuksiin muoviosien kanssa. Kemikaalit voivat vaurioittaa, heikentää tai tuhota muovin, mikä voi johtaa vakavaan henkilövahinkoon.

FI

SÄILYTYS

- Poista akku puhaltimesta.
- Puhdista kaikki vierasperäiset materiaalit puhaltimen ilmanottoaukoista.
- Kohdista puhaltimen putken säilytysnuppi putken ripustusuraan ja ripusta puhallinputki akkulokeroon koteloon (kuvat V ja W).
- Säilytä suljetussa paikassa, johon lapset eivät pääse. Pidä poissa syövyttävien aineiden, kuten puutarhakemikaalien ja jäänestosuolojen, läheltä.

V-1	Puhallinputken säilytysnuppi
V-2	Putken ripustusura

Ympäristönsuojelu



Älä hävitä sähkölaitteita, käytettyjä akkuja tai laturia kotitalousjätteen seassa!

Vie tämä tuote hyväksytyyn kierrätyspaikkaan tai anna se erilliseen keräilyyn. Sähkötyökäluet tulee palauttaa asianmukaiseen ympäristöystävälliseen kierrätyslaitokseen.

VIANMÄÄRITYS

ONGELMA	SYY	RATKAISU
Puhallin ei toimi.	<ul style="list-style-type: none">■ Puhaltimen ja akkujen välillä ei ole sähköliitettä.■ Akut ovat tyhjentyneet.■ Paristot tai puhallin ovat liian kuumia.	<ul style="list-style-type: none">■ Poista akku, tarkista koskettimet ja asenna akku uudelleen paikalleen.■ Lataa akut.■ Jäähdytä akkuja ja puhallinta, kunnes niiden lämpötila on alle 67°C.
Ilman virtausnopeus laskee huomattavasti.	<ul style="list-style-type: none">■ Ilmanottoaukko on irtoaineksen tukkima.■ Moottorituuletin merkittävä kuluminen.	<ul style="list-style-type: none">■ Poista akut ja poista roskat.■ Ota yhteys EGO-huoltokeskukseen korjausta varten.
LCD-näytön vika.	<ul style="list-style-type: none">■ LCD-kokoonpano on rikki tai LCD-kokoonpanon huono johdinliitäntä.	<ul style="list-style-type: none">■ Ota yhteys EGO-huoltokeskukseen korjausta varten.

FI

TAKUU

EGON TAKUUEHDOT

Verkkosivustolta egopowerplus.com löydät EGO:n takuukäytännön täydelliset ehdot.

LES ALLE INSTRUKSJONER!



LES BRUKERHÅNDBOKEN

LEGG MERKE TIL: Disse instruksjonene skal også være tilgjengelige i et alternativt format, for eksempel på en nettside.

⚠ Restrisiko! Personer med elektroniske enheter, for eksempel pacemakere, bør konsultere legen(e) før de bruker dette produktet. Drift av elektrisk utstyr i umiddelbar nærhet av en pacemaker kan føre til at pacemakeren forstyrres eller svikter.

⚠ ADVARSEL: For å ivareta sikkerheten og påliteligheten må alle reparasjoner og utskiftinger utføres av en kvalifisert servicetekniker.

SIKKERHETSSYMBOLER

Hensikten med sikkerhetssymboler er å tiltrekke deg oppmerksomheten mot mulige farer. Sikkerhetssymbolene og forklaringene med dem fortjener nøye oppmerksomhet og forståelse. Symbolvarslene eliminerer ikke i seg selv noen fare. Instruksjonene og advarslene de gir, erstatter ikke riktige tiltak for å forhindre ulykker.

NO

⚠ ADVARSEL: Sørg for å lese og forstå alle sikkerhetsinstruksjonene i denne brukerhåndboken, inkludert alle sikkerhetsvarselssymboler som **“FARE”**, **“ADVARSEL”** og **“FORSIKTIG”** før du bruker dette verktøyet. Hvis du ikke følger alle instruksjonene nedenfor, kan det føre til elektriske støt, brann og/eller alvorlig personskade.

SKADEFOREBYGGING OG INFORMASJONSMELDINGER

Disse forteller brukeren om viktig informasjon og/eller instruksjoner som kan føre til at utstyr tar skade, eller andre materielle skader hvis de ikke følges. Hver melding er innledet med ordet **“MERKNAD”**, som i eksemplet nedenfor:

⚠ LEGG MERKE TIL: Utstyr og/eller materielle skader kan oppstå hvis disse instruksjonene ikke følges.



⚠ ADVARSEL: Bruk av hvilke som helst elektroverktøy kan føre til at fremmedlegemer blir kastet mot øynene, noe som kan gi alvorlige øyeskader. Før du begynner å bruke elektroverktøyet, skal du alltid ta på vernebriller eller vernebriller med sidebeskyttelse, og en full ansiktsskjerm der det trengs. Vi anbefaler en Wide Vision Safety Mask til bruk over briller, eller standard vernebriller med sidebeskyttelse.

SIKKERHETSINSTRUKSJONER

Denne siden viser og beskriver sikkerhetssymboler som kan være på produktet. Les, forstå og følg alle instruksjoner på enheten før du begynner montering og tar den i bruk.



Sikkerhetsvarsel



Bruk alltid vernebriller eller vernebriller med sidebeskyttelse, og full ansiktsskjerm når du bruker dette produktet.



Bruk alltid hørselsvern når du bruker dette produktet.



For å redusere risikoen for skader må brukeren lese bruksanvisningen før produktet tas i bruk.



Hold alle tilskuere minst 15 m unna.



Dette produktet er i samsvar med gjeldende EF-direktiver.

NO



Dette produktet er i samsvar med gjeldende britisk lovgivning.



Elektrisk avfall skal ikke kastes sammen med husholdningsavfall. Send til en autorisert gjenvinner.

V Volt

A Ampere

Hz Hertz

W Watt

min Minutter

m³/h Kubikmeter i timen

km/t Kilometer i timen

 Likestrøm

n₀ Hastighet uten last

.../min Per minutt

IPX5 Beskyttelse mot vannstråler

SPESIFIKASJONER

Spenning	56 V
Maksimalt luftvolum	1360 m ³ /t
Maksimal lufthastighet	85 m/s
Maksimal blåserkraft	26 N
Anbefalt driftstemperatur	-15°C-40°C
Anbefalt lagringstemperatur	-20°C-70°C
Viftevekt (Uten batteri med rør)	7,4 kg
Målt lydeffektnivå L _{WA}	97 dB(A) K=1,2 dB(A)
Lydtrykknivå ved brukerens øre L _{PA}	86,2 dB(A) K=2,5 dB(A)
Garantert lydeffektnivå L _{WA} (iht. 2000/14/EF)	98 dB(A)
Vibrasjon a _h	0,4 m/s ² K=1,5 m/s ²

- Den deklarerte totale vibrasjonsverdien er målt i samsvar med en standard testmetode og kan brukes til å sammenligne ett verktøy med et annet;
- Den deklarerte totale vibrasjonsverdien kan også brukes i en foreløpig vurdering av eksponering.

MERKNAD: Vibrasjonsutslippet under faktisk bruk av elektroverktøyet kan avvike fra den deklarerte verdien som verktøyet brukes i; For å beskytte brukeren, bør brukeren bruke hansker og hørselsvern under de faktiske bruksforholdene.

PAKKELISTE (FIG. A1)

BESKRIVELSE

KJENN BLÅSEREN DIN (Fig. A1 & A2)

1. Håndtak
2. Batteriutløserknapper
3. Klinke
4. Elektriske kontakter
5. Hjelpelandtak
6. Luftinntak
7. Belg
8. Kontrollhåndtaksrør
9. Blåserør

10. Kontrollhåndtak
11. Ryggsekkplate
12. Oppbevaringsknapp for blåserør
13. Justerbar støttelese
14. Avsmalnende dyse
15. Cruisekontrollknapp
16. LCD skjerm
17. Turbo-knapp
18. Utløserbryter
19. Rørhengende spor
20. Hurtigutløserhendel
21. Drivstoffmåler
22. Fan-ikon
23. Turbo indikator
24. Indikator for lufthastighet
25. Cruisekontroll-ikon
26. Batteriikon

⚠ ADVARSEL: Sikker bruk av dette produktet krever at man forstår informasjonen på verktøyet og i denne bruksanvisningen, samt at man har kjennskap til prosjektet du prøver deg på. Før bruk av dette produktet, må man gjøre seg kjent med alle driftsfunksjonene og sikkerhetsreglene.

MONTERING

⚠ ADVARSEL: Hvis noen av delene er skadet eller mangler, må du ikke bruke dette produktet før delene er byttet. Bruk av dette produktet dersom deler er skadet eller mangler, kan føre til alvorlige personskader.

⚠ ADVARSEL: Ikke forsøk å modifisere produktet eller lage tilbehør som ikke er anbefalt for bruk med denne blåseren. Enhver endring eller endring er misbruk og kan føre til en farlig tilstand som kan føre til alvorlig personskade.

⚠ ADVARSEL: For å forhindre utilsiktet start som kan forårsake alvorlig personskade, fjern alltid batteriene fra verktøyet når du monterer deler.

SAMLING AV BLØSERØRENE

Koble kontrollhåndtaksrøret til belgen (fig. C)

1. Sett den øvre enden av kontrollhåndtaksrøret inn i belgen så langt det går.
2. Stram skruen helt i klemkragen på belgen.

NO

C-1	Klemkrage
C-2	Skrue

Koble blåserøret til kontrollhåndtaksrøret (fig. D)

1. Løsne og fjern hurtigutløsningsspaken og vingemutteren fra rørklemmeenheten festet på blåserøret.

D-1	Rørklemme
D-2	Vingemutter

2. Rett inn sporet i viferøret med ribben på kontrollhåndtaksrøret, skyv viferøret over kontrollhåndtaksrøret så langt det går.
3. Sett inn tappen til hurtigutløsningsspaken og lukk spaken på rørklemmen.
4. Stram til vingemutteren for å feste rørklemmen på plass.

NO

Koble den koniske dysen til blåserøret (fig. E, F)

1. Juster sporet i dysen med låsen på røret. Skyv munnstykket over røret til det klikker på plass.
2. For å fjerne dysen, trykk og hold inne dysefrigjøringsknappen for å frigjøre låsen, og trekk deretter dysen rett bort fra blåserøret.

E-1	Dyseutløserknapp
E-2	Klinke

OPERASJON

⚠ ADVARSEL: Ikke føl deg så trygg med dette verktøyet at du blir skjodesløs. Husk at et uforsiktig tiendedel av et sekund er nok til å forårsake alvorlige skader.

⚠ ADVARSEL: Ikke bruk tilbehør eller deler som ikke er anbefalt av produsenten av produktet. Bruk av tilbehør eller deler som ikke anbefales, kan medføre alvorlige personskader.

⚠ ADVARSEL: Fjern alltid batteriene fra produktet når du setter sammen deler, gjør justeringer, rengjør eller når du ikke er i bruk. Fjerning av batteriene vil forhindre utilsiktet start som kan forårsake alvorlig personskade.

Før hver bruk skal hele produktet for inspiseres for skader, mangler eller løse deler, for eksempel skruer, muttere, bolter, heter, osv. Stram alle festemidler og hettet godt og ikke bruk dette produktet før alle manglende eller skadede deler er skiftet ut.

⚠ ADVARSEL: Hvis du støter på en nødsituasjon, må du skille brystspennen rett for å ta av blåseren.

APPLIKASJON

Du kan bruke dette produktet til formålene som er listet opp under:

- Blåsing av harde overflater så som oppkjørsler og gangveier.
- Holde terrasser og innkjørsler frie for løv og barnåler.

MERK: Verktøyet skal bare brukes til sitt foreskrevne formål. All annen bruk er feil.

INSTALLERE/FJERNE BATTERIERNE

LAD FØR FØRSTE BRUK.

Bruk kun med batterier og ladere oppført på fig. B.

MERKNAD: For best ytelse anbefaler vi bruk av et hvilket som helst EGO 56V-batteri med en kapasitet høyere enn 5,0 Ah.

Blåseren har to aktive batterirom på venstre og høyre side av batteriromshuset.

MERK: Blåseren kan operere med ett eller to batterier. Ved å bruke to batterier får du lengre driftstid og effektivt strømforbruk administrert av PEAK POWER™-teknologi.

Hvis et batteri er satt inn i batterirommet merket med 1 eller 2 på ryggsekkplaten, lyser det tilsvarende batteriikonet på LCD-skjermen (fig. G) etter at du har slått på viffen.

G-1	Posisjonsmerke for batterirom
-----	-------------------------------

■ For å installere (fig. H)

Juster batteriribbene med monteringssporene og trykk batteriet ned til du hører et "klikk". Gjenta prosessen for å installere det andre batteriet.

■ Å fjerne (fig. I)

Trykk inn batteriutløserknappene og trekk ut batteriene.

⚠ ADVARSEL: Vær alltid oppmerksom på plasseringen av føttene, barna eller kjæledyrene dine når du trykker på batteriutløserknappen. Alvorlig skade kan oppstå hvis batteriet faller. Fjern ALDRI batteriet når du er på et høyt sted.

PLASSERING AV RYGGSEKKBLÅSEREN

⚠ ADVARSEL: Kle deg ordentlig for å redusere risikoen for skade når du bruker dette verktøyet. Ikke bruk løse klær eller smykker. Bruk øye- og øre-/hørselsvern. Bruk tunge, lange bukser, støvler og hansker. Ikke bruk korte bukser eller sandaler eller gå barbeint.

For å justere støtteselen

1. Sett armene gjennom skulderstroppene for å støtte blåseren på ryggen.
2. Juster begge skulderstroppene til du føler deg komfortabel med blåseren på ryggen (fig. J).
3. Klikk på brystspennen og juster lengden om nødvendig (fig. K).
4. Klikk på midjespennen og juster lengden slik at ryggsekken støttes sikkert av hoftene (fig. L & M).
5. Juster skulderstroppene på nytt for sikkerhet og komfort. Sørg for at ryggsekken sitter trygt på ryggen, med vekten støttet av livremmen, og uten overflødig bevegelse når du beveger deg (fig. N).
6. Sett eventuelt ekstra beltelengde rundt midjen inn i strikken på begge sider (fig. O).
7. For å løsne verktøyet fra ryggen, trykk bare på midje- og brystspennene for å frigjøre dem (fig. P).

For å justere kontrollhåndtaket

1. Slipp hurtigutløserpakken for å flytte kontrollhåndtaket forover eller bakover etter behov (fig. Q & R) og koble deretter inn hurtigutløserpakken for å feste håndtaket på plass.
2. Du kan også rotere håndtaket etter behov for komfort (fig. S).

Slik justerer du kontrollhåndtakets rørlengde (fig. T1, T2)

1. Slipp hurtigutløserpakken for å flytte blåserøret til en komfortabel driftsstilling.
2. Aktiver hurtigutløserpakken for å feste vifterøret på plass.

STARTE/STOPPE BLÅSEREN

Utløserbryter (fig. U1, U2)

- Trykk på utløserbryteren for å slå på viften. LCD-skjermen viser drivstoffmåler, batteriikon, lufthastighetsindikator.
- Lufthastigheten til viften styres med utløserbryteren. Jo lenger utløserbryteren trykkes inn, jo mer luft strømmer ut av dysen. Juster hastigheten for å passe oppgaven. Det tilsvarende lufthastighetsikonet vises på

LCD-skjermen.

- Slipp avtrekkeren for å slå av viften. Etter 6 sekunder slås LCD-skjermen av.

Turbo-modus

Med avtrekkeren trykket og holdt, trykk på turboknappen for å maksimere luftstrømmen (fig. U1). Turboindikatoren og vifteikonet lyser på LCD-skjermen (fig. U3).

MERK: Viften går tilbake til forrige hastighet når turboknappen slippes.

Cruisekontroll modell

Cruise control-modusen tilbyr operasjoner uten utløserbryter.

For å aktivere cruise control-modus:

1. Trykk og hold utløserbryteren i ønsket hastighet (fig. U1).
2. Trykk på cruise control-knappen. Slipp knappen etter at cruise control-ikonet vises på LCD-skjermen (fig. U4).
3. Slipp utløserbryteren, viften fortsetter å gå.

Trykk på turboknappen under cruise control-modus kan midlertidig øke lufthastigheten til maksimalt nivå. Viften gjenopptar forrige hastighet når turboknappen slippes.

For å koble fra cruise control-modus:

Trykk på cruise control-knappen igjen for å koble ut cruise control-modusen. Cruisekontrollikonet på LCD-skjermen forsvinner.

Tips til bruk av blåseren

- Bruk raker og feiekoster for å løsne rusk før du blåser. I støvete omgivelser skal overflater fuktes lett hvis det er vann tilgjengelig.
- Se opp for barn, dyr, åpne vinduer eller nyvaskede biler, og blås rusk unna i en trygg retning.
- Etter å ha brukt blåser eller annet utstyr, må du rydde opp!

NO

VEDLIKEHOLD

⚠ ADVARSEL: Når verktøyet trenger service, må bare identiske reservedeler benyttes. Bruk av andre deler kan skape fare eller forårsake produktskade. For å sikre trygg og pålitelig bruk må alle reparasjoner utføres av en kvalifisert fagperson.

⚠ ADVARSEL: For å unngå alvorlig personskade, fjern alltid batteriet fra produktet når du rengjør eller utfører vedlikehold.

GENERELT VEDLIKEHOLD

Unngå bruk av løsemidler når plastdeler skal rengjøres. De fleste plasttyper kan ta skade av ulike typer løsemidler som er i salg, og kan dermed bli ødelagt. Bruk rene kluter til å fjerne smuss, støv, olje, fett osv.

NO

⚠ ADVARSEL: Ikke på noe tidspunkt skal bremsevæske, bensin, petroleum-baserte produkter, penetrerende oljer, osv. komme i kontakt med plastdeler. Kjemikalier kan skade, svekke eller ødelegge plasten, noe som igjen kan medføre alvorlig personskade.

OPPBEVARING

- Fjern batteriet fra blåseren.
- Fjern alle fremmedlegemer fra luftinntakene til blåseren.
- Juster vifterørets oppbevaringsknott med det rørhengende sporet og hekt blåserøret på batteriromshuset (fig. V & W).
- Oppbevares på et innelukket sted som er utilgjengelig for barn. Hold produktet på avstand fra etsende midler som hagekjemikalier og veisalt.

V-1	Oppbevaringsknott blåserør
V-2	Spor for røroppheng

Beskytter miljøet



Elektrisk utstyr, brukte batterier og batteriladere må ikke kastes i husholdningsavfallet!

Ta med dette produktet til autorisert gjenvinning, og gjør det tilgjengelig for separat innsamling. Elektriske verktøy må returneres til et egnet resirkuleringsanlegg.

FEILSØKING

PROBLEM	ÅRSAK	LØSNING
Blåseren virker ikke.	<ul style="list-style-type: none">■ Ingen elektrisk kontakt mellom blåseren og batteriene.■ Batteriene er utladet.■ Batteriene eller blåseren er for varm.	<ul style="list-style-type: none">■ Ta ut batteriet, sjekk kontaktene og sett inn batteriet igjen.■ Lad batteriene.■ Avkjøl batteriene og blåser til temperaturen synker under 67°C.
Lufthastigheten er betydelig redusert.	<ul style="list-style-type: none">■ Luftinntaket er blokkert av smuss.■ Motorviften er utslitt.	<ul style="list-style-type: none">■ Ta ut batteriene, fjern rusk.■ Kontakt EGO servicesenter for reparasjon.
LCD-skjermfeil.	<ul style="list-style-type: none">■ LCD -enheten er ødelagt eller dårlig ledningstilkobling til LCD -enheten.	<ul style="list-style-type: none">■ Kontakt EGO servicesenter for reparasjon.

GARANTI

NO

EGO GARANTIPOLITIKK

Besøk nettstedet egopowerplus.com for fullstendige vilkår og betingelser for EGO-garantipolicyen.

ПРОЧИТАЙТЕ ВСЕ ИНСТРУКЦИИ!



ПРОЧИТАЙТЕ РУКОВОДСТВО ПОЛЬЗОВАТЕЛЯ

ПРИМЕЧАНИЕ. Данные инструкции должны быть также доступны в альтернативном формате, например на веб-сайте.

⚠ Остаточный риск! Если вы используете такие электронные устройства, как кардиостимулятор, перед эксплуатацией данного устройства проконсультируйтесь с врачом. Использование электрооборудования в непосредственной близости от кардиостимулятора может привести к образованию помех и повреждению кардиостимулятора.

⚠ ПРЕДУПРЕЖДЕНИЕ. Для обеспечения безопасной и надежной работы устройства его ремонт и замену частей должен выполнять квалифицированный специалист.

СИМВОЛЫ БЕЗОПАСНОСТИ

RU

Символы безопасности предназначены для привлечения внимания к возможным рискам. Символы безопасности, а также пояснения к ним, требуют особого внимания и понимания. Предупреждения по технике безопасности сами по себе не устраняют опасность. Инструкции и предупреждения не заменяют соответствующие меры по предотвращению несчастных случаев.

⚠ ПРЕДУПРЕЖДЕНИЕ. Перед использованием устройства внимательно прочитайте все инструкции в данном руководстве пользователя и ознакомьтесь с предупреждающими символами безопасности, такими как **ОПАСНОСТЬ, ПРЕДУПРЕЖДЕНИЕ и ВНИМАНИЕ**. Несоблюдение всех приведенных ниже инструкций может привести к поражению электрическим током, возникновению пожара и/или получению серьезных травм.

ПРЕДОТВРАЩЕНИЕ УЩЕРБА И ИНФОРМАЦИОННЫЕ СООБЩЕНИЯ

Данные сообщения предназначены для предоставления пользователю важной информации и/или инструкций, несоблюдение которых может привести к повреждению оборудования и имущества. Каждое сообщение начинается со слова **ПРИМЕЧАНИЕ**, как в примере ниже.

⚠ ПРИМЕЧАНИЕ. Несоблюдение данных инструкций может привести к повреждению оборудования и/или имущества.



⚠ ПРЕДУПРЕЖДЕНИЕ. В результате работы электроинструмента в глаза могут попасть посторонние предметы, что приведет к серьезному повреждению глаз. Перед началом использования электроинструмента всегда надевайте защитную маску или защитные очки с боковыми щитками и полнопрофильную защитную маску (при необходимости). Поверх очков или стандартных защитных очков рекомендуется надевать безопасную маску с широким обзором.

ИНСТРУКЦИЯ ПО ТЕХНИКЕ БЕЗОПАСНОСТИ

Далее приведено изображение и описание символов безопасности, которые могут присутствовать на данном устройстве. Перед сборкой или использованием внимательно прочитайте все инструкции, приведенные на устройстве, и соблюдайте их.



Предупреждение об опасности



При использовании устройства всегда надевайте средства защиты органов слуха.



Следите за тем, чтобы посторонние лица находились на расстоянии не менее 15 м.

UK
CA

Данное изделие соответствует действующему законодательству Великобритании.

V Вольт

Гц Герц

мин. Минуты

км/ч Километров в час

n_0 Скорость работы без нагрузки

IPX5 Защита от струй воды



При работе с данным устройством всегда используйте защиту для глаз или защитные очки с боковыми щитками и полнопрофильную защитную маску.



Чтобы уменьшить риск получения травм, перед использованием устройства необходимо прочитать руководство по эксплуатации.



Соответствует основным требованиям стандартов безопасности Европейских директив.



Неисправные электрические устройства нельзя выбрасывать вместе с бытовым мусором. Сдавайте их в авторизованные пункты сбора и утилизации.

A Ампер

Вт Ватт


м³/ч Кубический метр в час

— — Постоянный ток

об/мин В минуту

RU

ТЕХНИЧЕСКИЕ ХАРАКТЕРИСТИКИ

Напряжение	56 В 
Макс. объем воздуха	1360 м³/ч
Максимальная скорость воздуха	85 м/с
Максимальная сила выдувания	26 Н
Рекомендуемая рабочая температура	-15...40°C
Рекомендуемая температура хранения	-20...70°C
Масса устройства (без аккумулятора, с трубой)	7,4 кг
Измеренный уровень звуковой мощности L_{WA}	97 дБ(A) K=1,2 дБ(A)
Уровень звукового давления на уши оператора L_{PA}	86,2 дБ(A) K=2,5 дБ (A)
Гарантированный уровень звуковой мощности L_{WA} (в соответствии со стандартом 2000/14/ЕС)	98 дБ (A)
Вибрация a_h	0,4 м/с² K=1,5 м/с²

RU

- Указанное общее значение вибрации было определено с помощью стандартного теста и может быть использовано для сравнения разных инструментов.
- Указанное общее значение вибрации также может использоваться для предварительной оценки уровня воздействия.

ПРИМЕЧАНИЕ. Реальное вибрационное воздействие электроинструмента может отличаться от указанного в зависимости от способа использования. В целях безопасности оператор должен надевать перчатки и средства защиты органов слуха во время использования устройства.

КОМПЛЕКТ ПОСТАВКИ (РИС. А1)

ОПИСАНИЕ

ЧАСТИ ВОЗДУХОДУВКИ (Рис. А1 и А2)

1. Рукоятка
2. Кнопки фиксации аккумулятора
3. Фиксатор

4. Электрические контакты
5. Вспомогательная рукоятка
6. Воздухозаборное отверстие
7. Сильфон
8. Трубка с рукояткой управления
9. Труба воздуходувки
10. Рукоятка управления
11. Задняя панель
12. Фиксатор для крепления трубы воздуходувки
13. Регулируемая ременная обвязка
14. Коническая насадка
15. Кнопка круиз-контроля
16. ЖК-дисплей
17. Кнопка турборежима
18. Курковый переключатель
19. Паз для подвешивания трубы
20. Быстроразъемный рычаг
21. Указатель уровня заряда
22. Значок вентилятора
23. Индикатор TURBO
24. Индикатор скорости воздуха
25. Значок круиз-контроля
26. Символ аккумулятора

⚠ ПРЕДУПРЕЖДЕНИЕ. Для безопасного использования устройства необходимо изучить и понять информацию, указанную на самом устройстве и в настоящем руководстве пользователя, а также иметь ясное представление о планируемой работе. Перед использованием устройства ознакомьтесь со всеми функциями и правилами безопасности.

СБОРКА

⚠ ПРЕДУПРЕЖДЕНИЕ. Если какие-либо части повреждены или отсутствуют, не используйте устройство, пока они не будут установлены. Использование устройства в случае повреждения или отсутствия частей может привести к получению серьезной травмы.

⚠ ПРЕДУПРЕЖДЕНИЕ. Не пытайтесь изменить конструкцию воздуходувки или использовать нерекондованные для нее дополнительные приспособления. Подобное изменение считается ненадлежащим использованием и способствует возникновению опасной ситуации, которая приведет к получению серьезной травмы.

⚠ ПРЕДУПРЕЖДЕНИЕ. Чтобы предотвратить случайное включение устройства и получение серьезной травмы, во время сборки извлекайте аккумуляторы.

УСТАНОВКА ТРУБ ВОЗДУХОДУВКИ

Подключение трубки с рукояткой управления к сильфону (Рис. С)

1. Вставьте верхний конец трубки с рукояткой управления в сильфон до упора.
2. Полностью затяните винт в зажимном хомуте на сильфоне.

C-1	Зажимной хомут
C-2	Винт

Подключение трубы воздуходувки к трубке с рукояткой управления (Рис. D)

1. Ослабьте и снимите быстроразъемный рычаг и барашковую гайку с зажима на трубе воздуходувки.

D-1	Зажим трубы
D-2	Барашковая гайка

2. Совместите паз в трубе нагнетателя с ребром на трубке с рукояткой управления и надвиньте трубу нагнетателя на трубку с рукояткой управления до упора.
3. Вставьте штифт быстроразъемного рычага и закройте рычаг на зажиме трубы.
4. Затяните барашковую гайку, чтобы зафиксировать зажим трубы на месте.

Подключение конической насадки к трубе воздуходувки (Рис. E, F)

1. Совместите паз в насадке с защелкой на трубе. Наденьте насадку на трубу так, чтобы она надежно защелкнулась.
2. Чтобы снять насадку, нажмите и удерживайте кнопку извлечения насадки, чтобы открыть защелку, затем снимите насадку с трубы воздуходувки.

E-1	Кнопка фиксации насадки
E-2	Фиксатор

ИСПОЛЬЗОВАНИЕ

⚠ ПРЕДУПРЕЖДЕНИЕ. Не допускайте небрежности и беспечности при работе с устройством. Помните, что потери бдительности на долю секунды достаточно для получения серьезной травмы.

⚠ ПРЕДУПРЕЖДЕНИЕ. Не используйте насадки или дополнительные приспособления, не рекомендованные производителем устройства. Использование нерекондованных насадок и дополнительных приспособлений может привести к серьезным травмам.

⚠ ПРЕДУПРЕЖДЕНИЕ. Перед сборкой, регулировкой, очисткой, а также когда устройство не используется, всегда извлекайте из него аккумуляторы. Извлечение аккумуляторов поможет предотвратить непредвиденный запуск устройства, который может привести к серьезным травмам.

Перед каждым использованием полностью проверяйте устройство на наличие поврежденных, отсутствующих или плохо закрепленных частей, таких как винты, гайки, болты, заглушки и т. д. Надежно закрепите все фиксаторы и заглушки и не пользуйтесь устройством до тех пор, пока не будут заменены поврежденные или отсутствующие части.

⚠ ПРЕДУПРЕЖДЕНИЕ. При возникновении чрезвычайной ситуации расстегните нагрудную пряжку, чтобы снять воздуходувку.

ПРИМЕНЕНИЕ

Данное устройство можно использовать в следующих целях.

- Для очистки твердых поверхностей, таких как подъездные пути и дорожки.
- Для очистки поверхностей и подъездных путей от листьев и хвоя.

ПРИМЕЧАНИЕ. Инструмент должен использоваться только по назначению. Любое другое использование, кроме упомянутого, считается ненадлежащим.

УСТАНОВКА И ИЗВЛЕЧЕНИЕ АККУМУЛЯТОРОВ

ЗАРЯДИТЕ ПЕРЕД ПЕРВЫМ ИСПОЛЬЗОВАНИЕМ.

Используйте только аккумуляторы и зарядные устройства, указанные на Рис. В.

ПРИМЕЧАНИЕ. Для получения наилучшей производительности рекомендуется использовать любой аккумулятор EGO 56 В емкостью более 5,0 Ач.

RU

Воздуходувка имеет два активных батарейных отсека на левой и правой стороне корпуса.

ПРИМЕЧАНИЕ. Воздуходувка может работать от одного или двух аккумуляторов. Использование двух аккумуляторов обеспечивает более длительное время работы и эффективное потребление энергии благодаря технологии PEAK POWER™.

Если аккумулятор был вставлен в отсек, обозначенный цифрой 1 или 2 на задней панели, то после включения воздуходувки на ЖК-дисплее (Рис. G) светится значок соответствующего аккумулятора.

G-1 Маркировка батарейных отсеков

■ Установка (Рис. H)

Совместите ребра аккумулятора с крепежными отверстиями и вставьте аккумулятор до щелчка. Повторите ту же процедуру для установки второго аккумулятора.

■ Извлечение (Рис. I)

Нажмите кнопку фиксации аккумулятора и извлеките его.

⚠ ПРЕДУПРЕЖДЕНИЕ. Всегда следите за положением своих ног, а за также за местонахождением детей и животных, когда нажимаете на кнопку фиксации аккумулятора. Падение аккумулятора может привести к серьезным травмам. НИКОГДА не извлекайте аккумулятор, если находитесь на возвышенности.

РАЗМЕЩЕНИЕ РАНЦЕВОЙ ВОЗДУХОДУВКИ

⚠ ПРЕДУПРЕЖДЕНИЕ. Одевайтесь надлежащим образом, чтобы снизить риск получения травм при использовании данного инструмента. Не надевайте свободную одежду и украшения. Используйте средства защиты органов зрения и слуха. Надевайте плотные длинные брюки, прочную обувь и перчатки. Не надевайте шорты, сандалии и не работайте босиком.

Регулировка ременной обвязки

1. Проденьте руки в наплечные ремни, чтобы повесить воздуходувку на спину.
2. Отрегулируйте оба плечевых ремня так, чтобы воздуходувка удобно располагалась на спине (Рис. J).
3. Защелкните пряжку на груди и отрегулируйте ее длину, если требуется (Рис. K).
4. Защелкните пряжку на талии и отрегулируйте ее длину таким образом, чтобы ранец удобно опирался на бедра (Рис. L и M).

5. Отрегулируйте плечевые ремни так, чтобы ранец сидел надежно и удобно. Убедитесь, что ранец надежно закреплен на спине, а основной вес перенесен на талию. Кроме того, ранец не должен сильно перемещаться во время движения (Рис. N).
6. Слишком длинные концы ремней вставьте в эластичные крепления с обеих сторон талии (Рис. O).
7. Чтобы снять устройство со спины, просто откройте пряжки на груди и талии и снимите ранец (Рис. P).

Регулировка рукоятки управления

1. Отпустите быстросъемный рычаг для перемещения рукоятки управления вперед или назад по мере необходимости (Рис. Q и R), а затем зажмите быстросъемный рычаг, чтобы зафиксировать рукоятку на месте.
2. Рукоятку также можно вращать при необходимости (Рис. S).

Регулировка длины трубки с рукояткой управления (Рис. T1, T2)

1. Отпустите быстросъемный рычаг, чтобы переместить трубу воздуходувки в удобное рабочее положение.
2. Зажмите быстросъемный рычаг, чтобы зафиксировать трубу воздуходувки на месте.

ЗАПУСК И ОСТАНОВКА ВОЗДУХОДУВКИ

Курковый переключатель (Рис. U1, U2)

- Нажмите на курковый переключатель, чтобы включить воздуходувку. На ЖК-дисплее будут отображаться указатель уровня заряда, значок аккумулятора, индикатор скорости воздуха.
- Скорость воздуха в воздуходувке регулируется с помощью куркового переключателя. Чем сильнее нажат курковый переключатель, тем больше воздуха выходит из насадки. Отрегулируйте скорость в соответствии с выполняемой задачей. На ЖК-дисплее будет отображаться соответствующий значок скорости воздуха.
- Отпустите курок, чтобы выключить воздуходувку. Через 6 секунд ЖК-дисплей выключится.

Турбо-режим

Нажмите и удерживайте курковый переключатель, затем нажмите кнопку турбо-режима, чтобы увеличить поток воздуха (Рис. U1). На ЖК-дисплее будет светиться индикатор TURBO и значок вентилятора (Рис. U3).

ПРИМЕЧАНИЕ. Воздуходувка возвращается к предыдущей скорости при отпускании кнопки турбо-режима.

Режим круиз-контроля

Режим круиз-контроля обеспечивает работу без куркового переключателя.

Включение режима круиз-контроля

1. Нажмите курковый переключатель и удерживайте на нужной скорости (Рис. U1).
2. Нажмите кнопку круиз-контроля. Отпустите кнопку после того, как на ЖК-дисплее появится значок круиз-контроля (Рис. U4).
3. Отпустите курковый переключатель, воздуходувка будет продолжать работу.

Нажатие кнопки турбо-режима в режиме круиз-контроля позволяет временно увеличить скорость движения воздуха до максимального уровня. Когда кнопка будет отпущена, воздуходувка продолжит работать с прежней скоростью.

Отключение режима круиз-контроля

Нажмите кнопку круиз-контроля еще раз, чтобы отключить режим круиз-контроля. Значок круиз-контроля на ЖК-дисплее погаснет.

Советы по использованию воздуходувки

- Используйте грабли и метлу, чтобы убрать мусор перед использованием воздуходувки. В пыльных условиях по возможности слегка увлажните поверхность.
- Следите за тем, чтобы сдуваемый мусор не попадал на детей, домашних животных, в открытые окна и на свежевымытые автомобили.
- После использования воздуходувок и другого оборудования наведите порядок!

ОБСЛУЖИВАНИЕ

⚠ ПРЕДУПРЕЖДЕНИЕ. При ремонте используйте только идентичные запасные части. Использование других запасных частей может привести к возникновению опасной ситуации или повреждению устройства. Для обеспечения безопасности и надежности устройства его ремонт должен выполнять квалифицированный специалист.

⚠ ПРЕДУПРЕЖДЕНИЕ. Во избежание травм всегда извлекайте аккумуляторы из устройства

перед чистой или обслуживанием.

ОБЩЕЕ ОБСЛУЖИВАНИЕ

Не используйте растворители для очистки пластиковых частей. Большинство пластиковых частей чувствительны к различным бытовым растворителям и могут быть повреждены. Для очистки от грязи, пыли, масла, смазки и т. п. используйте чистую ткань.

⚠ ПРЕДУПРЕЖДЕНИЕ. Не допускайте попадания на пластиковые части тормозной жидкости, бензина, продуктов на нефтяной основе, пропитывающих масел и т. д. Химические вещества могут повредить, ослабить или разрушить пластик, что приведет к получению серьезных травм.

ХРАНЕНИЕ

- Извлеките аккумулятор из воздуходувки.
- Уберите все посторонние материалы из воздухозаборного отверстия воздуходувки.
- Совместите фиксатор для крепления трубы воздуходувки с пазом для подвешивания трубы и повесьте трубу воздуходувки на корпус батарейного отсека (Рис. V и W).
- Храните в закрытом, недоступном для детей месте. Храните вдали от источников коррозии, таких как садовые удобрения и техническая соль.

V-1	Фиксатор для крепления трубки воздуходувки
V-2	Паз для подвешивания трубки

Защита окружающей среды



Не выбрасывайте электроприборы, зарядные устройства и аккумуляторные батареи вместе с бытовыми отходами!

Отправьте данное изделие на переработку в специализированное предприятие или сдайте его для раздельного сбора.

Электроинструменты должны быть возвращены на перерабатывающее предприятие, не наносящее ущерб окружающей среде.

RU



УСТРАНЕНИЕ НЕПОЛАДКОВ

ПРОБЛЕМА	ПРИЧИНА	РЕШЕНИЕ
Воздуходувка не работает.	<ul style="list-style-type: none">■ Нет электрического контакта между воздуходувкой и аккумуляторами.■ Аккумуляторы разряжены.■ Аккумуляторы или воздуходувка перегрелись.	<ul style="list-style-type: none">■ Извлеките аккумулятор, проверьте контакты и установите его снова.■ Зарядите аккумуляторы.■ Дайте аккумуляторам и воздуходувке остыть, пока температура не упадет ниже 67°C.
Скорость воздушного потока значительно снизилась.	<ul style="list-style-type: none">■ Воздухозаборное отверстие засорилось.■ Чрезмерный износ вентилятора двигателя.	<ul style="list-style-type: none">■ Извлеките аккумуляторы, устранили засор.■ Обратитесь в сервисный центр EGO для ремонта.
Неисправность ЖК-дисплея.	<ul style="list-style-type: none">■ Узел ЖК-дисплея поврежден или плохое соединение проводов ЖК-дисплея.	<ul style="list-style-type: none">■ Обратитесь в сервисный центр EGO для ремонта.

RU

ГАРАНТИЯ

ГАРАНТИЙНАЯ ПОЛИТИКА EGO

Посетите веб-сайт egopowerplus.com, чтобы ознакомиться со всеми условиями и сроками гарантийной политики EGO.

PRZECZYTAJ WSZYSTKIE INSTRUKCJE!



PRZECZYTAJ INSTRUKCJĘ OBSŁUGI

UWAGA: Niniejsza instrukcja powinna być także dostępna w innym formacie, np. na stronie internetowej.

⚠ Ryzyko resztkowe! Osoby z urządzeniami elektronicznymi, takimi jak rozruszniki serca, powinny przed użyciem produktu skonsultować się ze swoim(i) lekarzem/-ami. Używanie urządzeń elektrycznych blisko rozrusznika serca może spowodować zakłócenia lub uszkodzić rozrusznik.

⚠ OSTRZEŻENIE: Aby zagwarantować bezpieczeństwo i niezawodność, wszystkie naprawy i wymiany części powinny być wykonywane przez wykwalifikowanych techników serwisu.

SYMBOLE BEZPIECZEŃSTWA

Celem symboli bezpieczeństwa jest zwrócenie uwagi użytkownika na możliwe zagrożenia. Symbole bezpieczeństwa i objaśnienia do nich zasługują na to, aby je uważnie przestudiować i zrozumieć. Symbole bezpieczeństwa nie eliminują same z siebie jakichkolwiek zagrożeń. Podawane w nich instrukcje i ostrzeżenia nie zastępują odpowiednich środków zapobiegania wypadkom.

⚠ OSTRZEŻENIE: Przed użyciem narzędzia należy koniecznie przeczytać ze zrozumieniem wszystkie instrukcje dotyczące bezpieczeństwa podane w podręczniku użytkownika, łącznie z wszystkimi symbolami ostrzegawczymi takimi jak „**NIEBEZPIECZEŃSTWO**”, „**OSTRZEŻENIE**” i „**OSTROŻNIE**”. Niestosowanie się do wszystkich podanych niżej instrukcji może doprowadzić do porażenia prądem, pożaru i/lub poważnych obrażeń.

PL

ZAPOBIEGANIE USZKODZENIOM I KOMUNIKATY INFORMACYJNE

Przekazują one użytkownikowi ważne informacje i/lub instrukcje, których zignorowanie może prowadzić do uszkodzenia urządzenia lub innego mienia. Każdy komunikat jest poprzedzony słowem „**UWAGA**”, tak jak w przykładzie poniżej:

⚠ UWAGA: Nieprzestrzeżenie instrukcji grozi uszkodzeniem urządzenia i/lub mienia.



⚠ OSTRZEŻENIE: Praca elektronarzędziami może spowodować wyrzucenie ciał obcych w oczy użytkownika, co może doprowadzić do poważnych urazów oczu. Przed rozpoczęciem pracy elektronarzędziem należy zawsze założyć gogle ochronne lub okulary z osłonami bocznymi, a w stosownych przypadkach także pełną osłonę na twarz. Zalecamy nakładanie na zwykłe okulary maski zabezpieczającej o szerokim polu widzenia lub stosowanie standardowych okularów zabezpieczających z osłonami bocznymi.

INSTRUKCJE DOTYCZĄCE BEZPIECZEŃSTWA

Na tej stronie pokazano i opisano symbole bezpieczeństwa, które mogą występować na produkcie. Przed podjęciem próby złożenia i użycia urządzenia należy przeczytać i zrozumieć wszystkie instrukcje dotyczące maszyny oraz zastosować się do nich.



Ostrzeżenie dotyczące bezpieczeństwa



Podczas używania produktu należy zawsze nosić gogle ochronne lub okulary ochronne z osłonami bocznymi, a także pełną osłonę na twarz.



Podczas pracy urządzeniem należy zawsze nosić ochronniki słuchu.



Aby zmniejszyć ryzyko urazów, przed rozpoczęciem korzystania z produktu użytkownik musi przeczytać instrukcję.



Osoby postronne muszą stać w odległości co najmniej 15 m.



Ten produkt jest zgodny z obowiązującymi dyrektywami WE.

PL

UK
CA

Produkt jest zgodny z dyrektywami obowiązującymi w Wielkiej Brytanii.



Zużytych wyrobów elektrycznych nie należy wyrzucać razem ze zwykłymi odpadami domowymi. Należy je oddać do autoryzowanego punktu recyklingu.

V Wolt

A Ampery

Hz Herc

W Wat

min. Minuty

m³/h Metr sześcienny na godzinę

km/h Kilometry na godzinę

— Prąd stały

n₀ Prędkość bez obciążenia

... /min Na minutę

IPX5 Zabezpieczenie przed strugami wody

SPECYFIKACJA

Napięcie	56 V
Maksymalny strumień powietrza	1360 m ³ /h
Maksymalna prędkość powietrza	85 m/s
Maksymalna siła dmuchawy	26 N
Zalecana temperatura użytkowania	-15°C-40°C
Zalecana temperatura przechowywania	-20°C-70°C
Ciężar dmuchawy (bez akumulatora, z rurą)	7,4 kg
Zmierzony poziom mocy akustycznej L _{WA}	97 dB(A) K=1,2 dB(A)
Poziom ciśnienia akustycznego na wysokości ucha operatora L _{PA}	86,2 dB(A) K=2,5 dB(A)
Gwarantowany poziom mocy akustycznej L _{WA} (zgodnie z dyrektywą 2000/14/WE)	98 dB(A)
Drgania a _h	0,4 m/s ² K=1,5 m/s ²

- Deklarowana całkowita wartość drgań została zmierzona zgodnie ze standardowymi metodami testowania i może służyć do porównywania różnych narzędzi.
- Deklarowana całkowita wartość drgań może również służyć do wstępnej oceny narażenia na drgań.

UWAGA: Emisja drgań podczas rzeczywistego stosowania elektronarzędzia może różnić się od deklarowanej wartości, w której narzędzie jest używane. Aby się zabezpieczyć, w rzeczywistych warunkach użytkowania użytkownik powinien nosić rękawice i nauszniki ochronne.

LISTA ELEMENTÓW W OPAKOWANIU (RYS. A1)

OPIS

ZAPOZNANIE SIĘ Z DMUCHAWĄ (Rys. A1 i A2)

1. Uchwyt
2. Przyciski odblokowujące akumulator
3. Zatrask

4. Styki elektryczne
5. Uchwyt pomocniczy
6. Wlot powietrza
7. Miech
8. Rura z uchwytem sterującym
9. Rura nadmuchowa
10. Uchwyt sterujący
11. Płyta plecaka
12. Zaczep na rurę do dmuchawy
13. Regulowana uprząż
14. Dysza stożkowa
15. Przycisk tempomatu
16. Ekran LCD
17. Przycisk turbo
18. Włącznik spustowy
19. Rowek do zawieszania rury
20. Dźwignia szybkiego odblokowywania
21. Wskaźnik paliwa
22. Ikona wentylatora
23. Wskaźnik turbo
24. Wskaźnik prędkości powietrza
25. Ikona tempomatu
26. Ikona akumulatora

⚠ OSTRZEŻENIE: Bezpieczne używanie tego produktu wymaga zrozumienia informacji podanych na narzędziu oraz w niniejszej instrukcji obsługi. Konieczna jest także znajomość realizowanego projektu. Przed użyciem produktu należy zapoznać się z wszystkimi jego funkcjami oraz z zasadami dotyczącymi bezpieczeństwa.

MONTAŻ

⚠ OSTRZEŻENIE: W przypadku braku lub uszkodzenia którejs z części nie należy uruchamiać urządzenia aż do momentu wymiany lub naprawy części. Używanie urządzenia z uszkodzonymi częściami lub gdy którejs z części brakuje może doprowadzić do poważnych urazów ciała.

⚠ OSTRZEŻENIE: Nie należy próbować przerabiać urządzenia lub tworzyć akcesoriów, które nie są zalecane do używania w dmuchawie. Wszelkie tego typu zmiany lub modyfikacje są niedozwolone i mogą prowadzić do niebezpiecznych sytuacji oraz poważnych urazów ciała.

⚠ OSTRZEŻENIE: Aby zapobiec przypadkowemu włączeniu, które mogłoby spowodować urazy ciała, na czas mocowania części z narzędzia należy zawsze wyjmować akumulatory.

MONTAŻ RUR DMUCHAWY

Podłączenie zespołu rury z uchwytem sterującym do miecha (Rys. C)

1. Włożyć do oporu do miecha górny koniec rury z uchwytem sterującym.
2. Całkowicie dokręcić śrubę w kołnierzu zaciskowym na miechu.

C-1	Kołnierz zaciskowy
C-2	Wkręt

Podłączenie rury dmuchawy do rury z uchwytem sterującym (Rys. D)

1. Odkręcić i zdjąć dźwignię szybkiego odblokowywania i nakrętkę motylkową z zespołu zacisku rury zamocowanego na rurze dmuchawy.

D-1	Zacisk rury
D-2	Nakrętka motylkowa

2. Dopasować rowek w rurze dmuchawy do żebra na rurze z uchwytem sterującym i wsunąć do oporu rurę dmuchawy na rurę z uchwytem sterującym.
3. Włożyć trzpień dźwigni szybkiego odblokowywania i zamknąć dźwignię na zacisku rury.
4. Dokręcić nakrętkę motylkową, aby zamocować zacisk rury na miejscu.

Podłączanie dyszy stożkowej do rury dmuchawy (Rys. E, F)

1. Dopasować rowek w dyszy do zatrzasku na rurze. Nasunąć dyszę na rurę, tak aby bezpiecznie zatrzasknęła się na swoim miejscu.
2. Aby zdjąć dyszę, należy nacisnąć i przytrzymać przycisk zwalniania dyszy, aby otworzyć zatrzask, a następnie pociągnąć za dyszę i zsunąć ją prosto z rury dmuchawy.

E-1	Przycisk zwalniania dyszy
E-2	Zatrzask

UŻYTKOWANIE

⚠ OSTRZEŻENIE: Nie wolno dopuścić do tego, aby znajomość narzędzia doprowadziła do nieuwagi. Należy pamiętać, że do spowodowania poważnych obrażeń wystarczy zaledwie chwila nieuwagi.

⚠ OSTRZEŻENIE: Nie należy używać końcówek lub akcesoriów innych niż zalecane przez producenta produktu. Używanie końcówek lub akcesoriów innych niż zalecane może doprowadzić do poważnych obrażeń.

⚠ OSTRZEŻENIE: Przed montażem części, regulacją i czyszczeniem oraz gdy produkt nie jest używany należy zawsze wyjąć z niego akumulatory. Wyjęcie akumulatorów zapobiega przypadkowemu włączeniu, które mogłoby spowodować ciężkie urazy ciała.

Przed każdym użyciem należy skontrolować cały produkt pod kątem uszkodzonych, brakujących lub obluzowanych części takich jak śruby, wkręty, nakrętki, nasadki itp. Wszystkie elementy połączeniowe i nasadki należy mocno dokręcić. Nie wolno używać produktu zanim wszystkie brakujące lub uszkodzone części nie zostaną wymienione.

⚠ OSTRZEŻENIE: W sytuacji awaryjnej, aby zdjąć dmuchawę, należy rozpiąć klamrę piersiową.

ZASTOSOWANIE

Urządzenia można używać wyłącznie do celów podanych poniżej:

- Sprzątanie twardych powierzchni takich jak podjazdy i chodniki.
- Usuwanie z tarasów i podjazdów liści i igieł sosny.

UWAGA: Narzędzia należy używać tylko do celów zgodnych z przeznaczeniem. Wszelkie inne zastosowania uznaje się za niezgodne z przeznaczeniem.

ZAKŁADANIE/WYJMOWANIE AKUMULATORÓW

PRZED PIERWSZYM UŻYCIEM NALEŻY NAŁADOWAĆ AKUMULATOR.

W urządzeniu należy używać wyłącznie akumulatorów i ładowarek wymienionych na Rys. B.

UWAGA: Aby uzyskać najlepszą wydajność, zalecamy stosowanie dowolnego akumulatora EGO 56V o pojemności większej niż 5,0 Ah.

Dmuchawa posiada dwie aktywne komory akumulatorowe po lewej i prawej stronie obudowy komory akumulatorów.

INFORMACJA: Dmuchawa może pracować z jednym lub dwoma akumulatorami. Użycie dwóch akumulatorów zapewni dłuższy czas pracy i efektywne pobieranie energii zarządzane z użyciem technologii PEAK

POWER™.

Jeżeli do komory akumulatora oznaczonej cyfrą 1 lub 2 na płycie plecaka włożony jest akumulator, wówczas po włączeniu dmuchawy na ekranie LCD (Rys. G) zapali się odpowiednia ikona akumulatora.

G-1	Oznaczenie położenia komory akumulatora
-----	---

■ Instalacja (Rys. H)

Należy wyrównać żeberka akumulatora względem szczelin mocujących i wsunąć akumulator do ładowarki, aż da się słyszeć kliknięcie. Powtórzyć procedurę, aby zainstalować drugi akumulator.

■ Wyjmowanie (Rys. I)

Należy wcisnąć przyciski odblokowujące akumulatory i wysunąć akumulatory.

⚠ OSTRZEŻENIE: Gdy użytkownik naciska przycisk wyjmowania akumulatora, należy zawsze uważać na miejsce, w którym znajdują się stopy użytkownika oraz na to gdzie przebywają dzieci i zwierzęta. Upuszczenie akumulatora może doprowadzić do ciężkich urazów. NIGDY nie należy wyjmować akumulatora, gdy znajduje się on wysoko.

USTAWIANIE DMUCHAWY PLECAKOWEJ W ODPOWIEDNIEJ POZYCJI

⚠ OSTRZEŻENIE: Aby ograniczyć ryzyko urazów, podczas pracy narzędziem należy nosić odpowiednią odzież. Nie powinno się nosić luźnych ubrań ani biżuterii. Należy nosić środki ochrony oczu i ochronniki słuchu. Należy nosić ciężkie długie spodnie, solidne buty i rękawice. Nie należy nosić krótkich spodni lub sandałów ani używać narzędzia na bosą.

Regulacja uprząży podtrzymującej

1. Przełożyć ramiona przez paski naramienne, aby włożyć sobie dmuchawę na plecy.
2. Oba pasy naramienne wyregulować tak, aby czuć się wygodnie z dmuchawą założoną na plecy (Rys. J).
3. Zapiąć klamrę piersiową i w razie potrzeby wyregulować jej długość (Rys. K).
4. Zapiąć klamrę biodrową i wyregulować jej długość, tak aby plecak opierał się na biodrach użytkownika (Rys. L i M).
5. Poprawić paski naramienne tak, aby były bezpieczne i wygodne. Upewnić się, że plecak bezpiecznie spoczywa na plecach użytkownika, ciężar plecaka powinien być podtrzymywany pasem biodrowym, plecak nie może się nadmiernie poruszać podczas poruszania się użytkownika (Rys. N).

6. Nadmiarową długość pasa biodrowego zamocować z obu stron gumką (Rys. O).
7. Aby zdjąć narzędzie z pleców, wystarczy nacisnąć i rozciąć klamrę biodrową i piersiową (Rys. P).

Regulacja uchwytu sterującego

1. Aby przesunąć uchwyt sterujący do przodu lub do tyłu odpowiednio do potrzeb (Rys. Q i R), należy zwolnić dźwignię szybkiego odblokowywania, a następnie zatrzasać ją, aby zablokować uchwyt w danej pozycji.
2. W celu zapewnienia wygody uchwyt można też odpowiednio do potrzeb obrócić (Rys. S).

Regulacja długości rury z uchwytem sterującym (Rys. T1, T2)

1. Zwolnić dźwignię szybkiego odblokowywania, aby przesunąć rurę dmuchawy w wygodną pozycję roboczą.
2. Zaciągnąć dźwignię szybkiego odblokowywania, aby zablokować rurę dmuchawy w danej pozycji.

WŁĄCZANIE/WYŁĄCZANIE DMUCHAWY

Wyłącznik spustowy (Rys. U1, U2)

- Aby włączyć dmuchawę, należy nacisnąć przełącznik spustowy. Na ekranie LCD wyświetlany jest wskaźnik paliwa, ikona akumulatora i wskaźnik prędkości powietrza.
- Prędkość powietrza nadmuchiwanego z dmuchawy jest regulowana za pomocą przełącznika spustowego. Im głębiej wciśnięty przełącznik spustowy, tym więcej powietrza jest wydmuchiwane z dyszy. Prędkość należy ustawić odpowiednio do wykonywanej pracy. Na ekranie LCD wyświetlana jest odpowiednia ikona prędkości powietrza.
- Aby wyłączyć dmuchawę, wystarczy puścić spust. Po 6 sekundach wyłączy się ekran LCD.

Tryb turbo

Aby uzyskać maksymalny przepływ powietrza (Rys. U1), należy wcisnąć i przytrzymać spust i nacisnąć przycisk turbo. Na ekranie LCD zapali się wskaźnik turbo i ikona wentylatora (Rys. U3).

INFORMACJA: Po zwolnieniu przycisku turbo dmuchawa wznowia pracę z wcześniejszą prędkością.

Tryb tempomatu

Tryb tempomatu umożliwia pracę bez przytrzymywania przełącznika spustowego.

Aby włączyć tryb tempomatu, należy:

1. Nacisnąć i przytrzymać przełącznik spustowy na żądanej prędkości (Rys. U1).
2. Nacisnąć przycisk tempomatu. Puścić przycisk, gdy na ekranie LCD pojawi się ikona tempomatu (Rys. U4).
3. Puścić przełącznik spustowy – dmuchawa będzie pracować dalej.

Wciśnięcie przycisku turbo w trybie tempomatu pozwala tymczasowo zwiększyć prędkość powietrza do poziomu maksymalnego. Gdy przycisk turbo zostanie puszczone, dmuchawa wraca do poprzedniej prędkości.

Aby wyłączyć tryb tempomatu, należy:

Ponownie nacisnąć przycisk tempomatu, aby wyłączyć tryb tempomatu. Ikona tempomatu na ekranie LCD zniknie.

Wskazówki dotyczące korzystania z dmuchawy

- Należy używać grabi i mioteł, aby przed użyciem dmuchawy wzruszyć zanieczyszczenia. Przy dużym zapyleniu, o ile tylko jest dostępna woda, dobrze jest lekko zwilżyć sprzątaną powierzchnię.
- Należy uważać na dzieci, zwierzęta domowe, otwarte okna i świeżo umyte samochody, zanieczyszczenia należy usuwać w bezpiecznej od nich odległości.
- Po zakończeniu używania dmuchaw i innych urządzeń, należy posprzątać.

KONSERWACJA

⚠ OSTRZEŻENIE: Do serwisowania należy używać wyłącznie części zamiennych identycznych z oryginalnymi. Używanie jakichkolwiek innych części stwarza ryzyko i może spowodować usterkę produktu. Aby zagwarantować bezpieczeństwo i niezawodność, wszystkie naprawy powinny być wykonywane przez wykwalifikowanych techników serwisu.

⚠ OSTRZEŻENIE: Aby uniknąć poważnych urazów ciała, na czas czyszczenia lub wykonywania prac konserwacyjnych należy zawsze wyjmować z urządzenia akumulator.

KONSERWACJA OGÓLNA

Podczas czyszczenia części plastikowych należy unikać używania rozpuszczalników. Pod wpływem kontaktu z różnego rodzaju rozpuszczalnikami dostępnymi w handlu większość tworzyw może ulec uszkodzeniu. Do usuwania zabrudzeń, kurzu, oleju, smaru itp. należy używać czystych ściereczek.

⚠ OSTRZEŻENIE: Nigdy nie należy dopuszczać do zetknięcia się części plastikowych z substancjami takimi jak płyn hamulcowy, benzyna, produkty ropopochodne, oleje penetrujące itp. Substancje chemiczne mogą uszkodzić, osłabić lub zniszczyć tworzywa, co może w konsekwencji spowodować poważne obrażenia.

PRZECHOWYWANIE

- Wyjąć akumulator z dmuchawy.
- Z dmuchawy i jej wlotów powietrza należy usunąć wszystkie zanieczyszczenia.
- Dopasować zaczepek na rurę do dmuchawy do rowka do mocowania rury oraz zaczepić rurę dmuchawy na obudowie schowka na baterie (Rys. V i W).
- Przechowywać w zamkniętych pomieszczeniach, w miejscu niedostępnym dla dzieci. Narzędzie należy chronić przed żrącymi substancjami takimi jak chemia ogrodnicza i sól do usuwania lodu.

V-1	Zaczepek na rurę do dmuchawy
V-2	Rowek do wieszania rury

Ochrona środowiska



Urządzeń elektrycznych, zużytych akumulatorów i ładowarki nie należy wyrzucać do zwykłych zmieszanych śmieci domowych!

Produkt należy oddać do zbiórki selektywnej w autoryzowanym punkcie recyklingu. Elektronarzędzia należy oddawać do przyjaznego dla środowiska zakładu recyklingu.

ROZWIĄZYWANIE PROBLEMÓW

PROBLEM	PRZYCZYNA	ROZWIĄZANIE
Dmuchała nie działa.	<ul style="list-style-type: none"> ■ Dmuchała i akumulatory nie kontaktują. ■ Akumulatory są na wyczerpaniu. ■ Akumulatory lub dmuchała są zbyt gorące. 	<ul style="list-style-type: none"> ■ Wyjąć akumulator, sprawdzić styki i włożyć akumulator z powrotem. ■ Naładować akumulatory. ■ Pozwolić akumulatorom i dmuchawie ostygnąć do temperatury poniżej 67°C.
Znaczny spadek prędkości powietrza.	<ul style="list-style-type: none"> ■ Wlot powietrza jest zapchany odpadami. ■ Przeciążenie silnika. 	<ul style="list-style-type: none"> ■ Wyjąć akumulatory i wyczyścić/usunąć odpady. ■ Skontaktować się z punktem serwisowym EGO w celu dokonania naprawy.
Usterka wyświetlacza LCD.	<ul style="list-style-type: none"> ■ Moduł LCD jest uszkodzony lub niepoprawne połączenie przewodu modułu LCD. 	<ul style="list-style-type: none"> ■ Skontaktować się z punktem serwisowym EGO w celu dokonania naprawy.

GWARANCJA

PL

POLITYKA GWARANCYJNA EGO

W celu zapoznania się z wszystkimi warunkami polityki gwarancyjnej EGO prosimy odwiedzić stronę egopowerplus.com

PŘEČTĚTE SI VŠECHNY POKYNY!



PŘEČTĚTE SI NÁVOD K OBSLUZE

POZNÁMKA: Tyto pokyny jsou k dispozici také v jiném formátu, např. na webových stránkách.

⚠ Zbytkové riziko! Osoby s elektronickými přístroji, jako jsou např. kardiostimulátory, by se měly před použitím toho výrobku poradit se svým lékařem. Použití elektrického zařízení v těsné blízkosti kardiostimulátoru může způsobit narušení činnosti nebo poruchu kardiostimulátoru.

⚠ VAROVÁNÍ: Z důvodu bezpečnosti by měl všechny opravy a výměny provádět kvalifikovaný servisní technik.

BEZPEČNOSTNÍ SYMBOLY

Účelem bezpečnostních symbolů je upoutat vaši pozornost k případným nebezpečím. Bezpečnostní symboly a jejich vysvětlení vyžadují vaši zvýšenou pozornost a porozumění. Výstražné symboly samy o sobě nevylučují žádné nebezpečí. Pokyny a varování nejsou náhradou vhodných opatření pro prevenci úrazů.

⚠ VAROVÁNÍ: Před použitím tohoto nářadí si přečtěte a seznámte se se všemi bezpečnostními pokyny uvedenými v tomto návodu k obsluze včetně veškerých výstražných symbolů jako např. „**NEBEZPEČÍ**“, „**VAROVÁNÍ**“ a „**UPOZORNĚNÍ**“. Nedodržení níže uvedených pokynů může mít za následek úraz elektrickým proudem, požár anebo vážná poranění osob.

CZ

PREVENCE POŠKOZENÍ A INFORMATIVNÍ ZPRÁVY

Upozorňují uživatele na důležité informace anebo pokyny, jejichž nedodržení může vést k poškození zařízení nebo jiného majetku. Každou zprávu přechází slovo „**POZNÁMKA**“ jako v následujícím příkladu:

POZNÁMKA: Nedodržení těchto pokynů může vést k poškození zařízení anebo majetku.



⚠ AROVÁNÍ: Při použití elektrického nářadí může dojít k vymrštění cizích těles do očí, což může způsobit jejich závažné poškození. Před použitím elektrického nářadí si vždy nasadte ochranné brýle, ochranné brýle s bočními kryty nebo v případě potřeby obličejový štít. Na brýle nebo standardní ochranné brýle s bočními kryty doporučujeme použít ochrannou masku.

BEZPEČNOSTNÍ POKYNY

Na této stránce jsou zobrazeny a popsány bezpečnostní symboly, které se mohou na výrobku objevit. Před montáží a provozem si přečtěte, seznámte se a dodržujte veškeré pokyny ke stroji.



Bezpečnostní upozornění



Při práci s tímto výrobkem vždy noste ochranné brýle nebo bezpečnostní brýle s bočními ochrannými štíty nebo obličejový štít.



Při práci s tímto výrobkem vždy používejte chrániče sluchu.



Z důvodu snížení rizika úrazu si musí uživatel před použitím tohoto výrobku přečíst návod k obsluze.



Udržujte ostatní osoby ve vzdálenosti aspoň 15 m.



Tento výrobek je v souladu s platnými směrnici ES.



Tento výrobek je v souladu s platnými předpisy ve Spojeném království.



Odpadní elektrické výrobky se nesmí likvidovat s domovním odpadem. Odevzdejte je do autorizovaného recyklačního střediska.

V Volt

A Ampéry

Hz Hertz

W Watt

min. Minuty

m³/h Metr krychlový za hodinu

km/h Kilometry za hodinu

Stejnoseměrný proud

n₀ Rychlost při chodu naprázdno

... /min Za minutu

IPX5 Ochrana před proudem vody

CZ

TECHNICKÉ ÚDAJE

Napětí	56 V
Maximální objem vzduchu	1360 m ³ /h
Maximální rychlost vzduchu	85 m/s
Maximální síla ventilátoru	26 N
Doporučená provozní teplota	- 15°C - 40°C
Doporučená skladovací teplota	- 20°C - 70°C
Hmotnost foukače (Bez akumulátoru s trubicí)	7,4 kg
Měřená hladina akustického výkonu L_{WA}	97 dB(A) K=1,2 dB(A)
Hladina akustického tlaku na sluch obsluhy L_{PA}	86,2 dB(A) K=2,5 dB(A)
Zaručená úroveň akustického výkonu L_{WA} (podle směrnice 2000/14/ES)	98 dB(A)
Vibrace a_h	0,4 m/s ² K=1,5 m/s ²

CZ

- Celková deklarovaná hodnota vibrací byla naměřena podle standardní zkušební metody a lze ji použít ke srovnání s jiným nářadím;
- Celkovou deklarovanou hodnotu vibrací lze použít také k předběžnému stanovení expozičních limitů.

POZNÁMKA: Emise vibrací při konkrétním použití elektrického nářadí se mohou lišit od deklarované hodnoty, při které se nářadí používá; z důvodu ochrany provozovatele by měl uživatel ve skutečných pracovních podmínkách nosit rukavice a chrániče sluchu.

OBSAH BALENÍ (OBR. A1)

POPIS

SEZNAMTE SE S VAŠÍM FOUKAČEM (obr. A1 a A2)

1. Rukojeť
2. Tlačítko pro uvolnění akumulátoru
3. Západka
4. Elektrické kontakty
5. Pomocná rukojeť
6. Přívod vzduchu
7. Ohebná trubice
8. Trubice ovládací rukojeti

9. Trubice foukače
10. Ovládací rukojeť
11. Batohová deska
12. Skladovací knoflík foukací trubice
13. Nastavitelný nosný popruh
14. Zúžená hubice
15. Tlačítko tempomatu
16. LCD obrazovka
17. Tlačítko turbo
18. Hlavní vypínač
19. Drážka pro pověšení trubice
20. Rychloupínací páčka
21. Ukazatel stavu nabití
22. Ikona ventilátoru
23. Kontrolka pro turbo
24. Ukazatel rychlosti vzduchu
25. Ikona tempomatu
26. Symbol akumulátoru

VAROVÁNÍ: Bezpečné používání tohoto výrobku vyžaduje seznámení s informacemi na nářadí a v tomto návodu k obsluze a také s projektem, na kterém pracujete. Před použitím výrobku se seznáme se všemi provozními funkcemi a bezpečnostními zásadami.

MONTÁŽ

VAROVÁNÍ: Pokud jsou některé díly poškozené, nebo chybí, nepoužívejte výrobek, dokud se díly nevymění. Použití tohoto výrobku s poškozenými nebo chybějícími díly může vést k vážnému úrazu.

VAROVÁNÍ: Nepokoušejte se výrobek upravovat ani vytvářet příslušenství, které se k tomuto foukači nedoporučuje. Každá taková změna nebo úprava je nesprávná a může vést k nebezpečné situaci, která může zapříčinit vážný úraz.

VAROVÁNÍ: Pokud provádíte montáž dílů, vždy vyjměte akumulátor z nářadí, aby nedošlo k neúmyslnému spuštění, které může způsobit vážný úraz.

MONTÁŽ TRUBIC FOUKAČE

Připojení sestavy trubice ovládací rukojeti k ohebné trubicí (obr. C)

1. Zasuňte horní konec trubice ovládací rukojeti do ohebné trubice až na doraz.

- Zcela utáhněte šroub v upínací objímce na ohebné trubici.

C-1	Upínací límeček
C-2	Šroub

Připojení trubice foukače k trubici ovládací rukojeti (obr. D)

- Uvolněte a sejměte rychloupínací páčku a křídlovou matici ze sestavy svorky trubice upevněné na trubici foukače.

D-1	Svorka trubice
D-2	Křídlová matice

- Zarovnejte drážku v trubici foukače s žebrem na trubici ovládací rukojeti, nasuňte trubici foukače přes trubici ovládací rukojeti až na doraz.
- Vložte kolík rychloupínací páčky a zavřete páčku na svorce trubice.
- Utáhněte křídlovou matici, abyste zajistili svorku trubice na místě.

Připojení kuželové hubice k trubce foukače (obr. E, F)

- Zarovnejte drážku v hubici se západkou na trubici. Zatlačte hubici na trubici, dokud bezpečně nezapadne na místo.
- Stiskněte a podržte tlačítko uvolnění hubice pro uvolnění západky a vytáhněte hubici přímo z trubice foukače.

E-1	Tlačítko pro uvolnění hubice
E-2	Západka

OBSLUHA

VAROVÁNÍ: Dbejte na to, abyste po seznámení s výrobkem nepřestali být opatrní. Nezapomínejte, že stačí chvíle nepozornosti a může se stát vážný úraz.

VAROVÁNÍ: Nepoužívejte nástavce nebo příslušenství, které nedoporučuje výrobce tohoto výrobku. Použití nedoporučených nástavců a příslušenství může vést k vážnému úrazu.

VAROVÁNÍ: Pokud provádíte montáž dílů, úpravy, čištění nebo foukač dlouhodobě nepoužíváte, vždy vyjměte akumulátor. Vyjmutím akumulátorů zabráníte náhodnému spuštění, které by mohlo způsobit vážné zranění.

Před každým použitím zkontrolujte celý výrobek, zda není poškozen, nechybí nebo nejsou uvolněné žádné díly, jako např. vruty, matice, šrouby, uzávěry atd. Pevně utáhněte všechny upevňovací prvky a uzávěry a výrobek nepoužívejte, dokud se nevymění všechny chybějící nebo poškozené díly.

VAROVÁNÍ: Pokud narazíte na nouzovou situaci, přímo oddělte hrudní přezku, abyste sundali foukač.

POUŽITÍ

Výrobek lze použít k následujícím účelům:

- Čištění pevných povrchů, jako např. příjezdových cest a chodníků.
- Udržování ploch a příjezdových cest bez listů a jehličí.

POZNÁMKA: Přístroj se smí používat pouze k vyhrazenému účelu. Jakékoliv jiné použití se považuje za zneužití.

INSTALACE/VYJMUTÍ AKUMULÁTORU

NABIJTE AKUMULÁTOR PŘED PRVNÍM POUŽITÍM.

Používejte pouze s akumulátory a nabíječkami uvedenými na obr. B.

POZNÁMKA: Pro nejlepší výkon doporučujeme použít jakýkoli akumulátor EGO 56V s kapacitou vyšší než 5,0 Ah.

Foukač má dvě aktivní přihrádky na akumulátory na levé a pravé straně krytu přihrádky na akumulátory.

POZNÁMKA: Foukač může pracovat s jednou nebo dvěma akumulátory. Použití dvou akumulátorů vám poskytne delší dobu provozu a efektivní odběr energie řízený technologií PEAK POWER™.

Pokud byl akumulátor vložen do akumulátorového prostoru označeného 1 nebo 2 na štítku batohu, rozsvítí se po zapnutí foukače na LCD obrazovce příslušná ikona akumulátoru (obr. G).

G-1	Symbol obsazeného prostoru pro akumulátor
-----	---

■ Instalace (obr. H)

Zarovnejte žebrování akumulátoru s instalačními drážkami a zatlačte na akumulátor dokud neuslyšíte „cvaknutí“. Opakujte postup pro instalaci druhého akumulátoru.

■ Vyjmutí (Obr. I)

Stiskněte tlačítko pro uvolnění akumulátoru a vytáhněte akumulátory.

GZ

⚠ VAROVÁNÍ: Při stisku tlačítka pro uvolnění akumulátoru dávejte pozor na nohy, děti nebo domácí zvířata. Pokud akumulátor upadne, může dojít k vážnému úrazu. NIKDY nevyjímejte akumulátor, když jste ve vysoké poloze.

UMÍSTĚNÍ ZÁDOVÉHO FOUKAČE

⚠ VAROVÁNÍ: Při práci s tímto nářadím se vhodně oblékněte, abyste snížili nebezpečí úrazu. Nenoste volný oděv ani šperky. Používejte ochranu očí a chrániče sluchu. Noste silné, dlouhé kalhoty, pevné boty a rukavice. Nenoste krátké kalhoty, sandály ani nechodte bosí.

Nastavení nosného popruhu

1. Protáhněte paže ramenními popruhy, abyste podepřeli foukač na zádech.
2. Nastavte oba ramenní popruhy, dokud se nebudete cítit pohodlně s foukačem na zádech (obr. J).
3. Zaklapněte hrudní sponu a v případě potřeby (obr. K) nastavte její délku.
4. Zaklapněte pasovou přezku a nastavte délku tak, aby byl foukač na zádech pevně podporován vašimi boky (obr. L a M).
5. Upravte ramenní popruhy pro bezpečnost a pohodlí. Ujistěte se, že batoh pevně sedí na zádech, s váhou podporovanou pasovou přezkou a bez nadměrného pohybu při přesunu (obr. N).
6. Přebývající část popruhu kolem pasu zasuňte do gumičky po obou stranách (obr. O).
7. Chcete-li odpojit nástroj ze zad, stačí stisknout pasovou a hrudní přezku pro jejich uvolnění (obr. P).

Nastavení ovládací rukojeti

1. Uvolněním páčky rychlého uvolnění posuňte ovládací rukojet' vpřed nebo vzad podle potřeby (obr. Q a R) a poté páčku rychlého uvolnění zajistěte, abyste rukojet' zajistili na místě.
2. Pro větší pohodlí můžete také otočit rukojet' podle potřeby (obr. S).

Nastavení délky trubice ovládací rukojeti (obr. T1, T2)

1. Uvolněním rychloupínací páčky přesuňte trubici foukače do pohodlné provozní polohy.
2. Zasuňte rychloupínací páčku, abyste zajistili trubici foukače na místě.

SPUŠTĚNÍ/VYPNUTÍ FOUKAČE

Hlavní vypínač (Obr. U1, U2)

- Zmáčknete hlavní vypínač pro ovládání proudění vzduchu pro zapnutí foukače. Na LCD displeji se zobrazuje palivoměr, ikona akumulátoru, ukazatel rychlosti vzduchu.
- Rychlost vzduchu foukače se ovládá hlavním vypínačem. Čím více je hlavní vypínač stisknutý, tím více vzduchu proudí z hubice. Rychlost proudění vzduchu si upravte podle svých aktuálních potřeb. Na LCD obrazovce se zobrazí odpovídající ikona rychlosti vzduchu.
- Chcete-li foukač vypnout, uvolněte hlavní vypínač. Po 6 sekundách se LCD obrazovka vypne.

Režim turbo

Při stisknutí a přidržení hlavním vypínači stiskněte tlačítko turbo, abyste maximalizovali proudění vzduchu (obr. U1). Na LCD obrazovce se rozsvítí indikátor turbo a ikona ventilátoru (obr. U3).

POZNÁMKA: Po uvolnění tlačítka turbo se ventilátor vrátí na předchozí rychlost.

Režim tempomatu

Režim tempomatu nabízí činnost bez hlavního vypínače.

Zapnutí režimu tempomatu:

1. Stiskněte a podržte hlavní vypínač v požadované rychlosti (obr. U1).
2. Stiskněte tlačítko tempomatu. Po zobrazení ikony tempomatu na LCD obrazovce tlačítko uvolněte (obr. U4).
3. Uvolněte hlavní vypínač, foukač poběží dál.

Stisknutím tlačítka turbo v režimu tempomatu můžete dočasně zvýšit rychlost vzduchu na maximální úroveň. Po uvolnění tlačítka turbo ventilátor obnoví předchozí rychlost.

Postup vypnutí režimu tempomatu:

Dalším stisknutím tlačítka tempomatu režim tempomatu deaktivujete. Ikona tempomatu na LCD obrazovce zmizí.

Tipy pro používání foukače

- K uvolnění nečistot před foukáním použijte hrábě a košťata. V prašném prostředí povrch lehce navlhčete, pokud máte k dispozici vodu.
- Dávejte pozor na děti, domácí zvířata, otevřená okna nebo čerstvě umytá auta a foukejte nečistoty bezpečně jiným směrem.
- Po použití foukačů nebo jiného zařízení uklíďte!

ÚDRŽBA

⚠ VAROVÁNÍ: Při opravách používejte pouze originální náhradní díly. Použití jiných dílů může představovat riziko nebo může způsobit poškození výrobku. Z důvodu zajištění bezpečnosti a spolehlivosti musí všechny opravy provádět kvalifikovaný servisní technik.

⚠ VAROVÁNÍ: Aby nedošlo k vážnému úrazu, vždy při čištění nebo jiné údržbě vyjměte z výrobku akumulátor.

CELKOVÁ ÚDRŽBA

K čištění plastových dílů nepoužívejte rozpouštědla. Většina plastů je náchylná k poškození různými typy komerčních rozpouštědel a jejich použití je může poškodit. K odstranění nečistot, prachu, oleje, maziva atd. použijte čistý hadr.

⚠ VAROVÁNÍ: Dbejte, aby nikdy nedošlo ke styku plastových částí s brzdovými kapalinami, benzinem, ropnými produkty, penetračními oleji atd. Chemické látky mohou poškodit, zeslabit nebo poškodit plast, což může vést k vážnému úrazu.

SKLADOVÁNÍ

- Vyjměte akumulátor z foukače.
- Odstraňte všechny nečistoty z přívodů vzduchu foukače.
- Zarovnejte skladovací knoflík foukací trubice s drážkou pro pověšení trubice a zavěste foukací trubici na kryt prostoru pro akumulátory (viz obr. V a W).
- Skladujte v uzavřeném prostoru, který není přístupný dětem. Uchovávejte v bezpečné vzdálenosti od korozivních látek, jako jsou chemické látky a rozmrazovací soli.

V-1	Skladovací knoflík foukací trubice
V-2	Drážka pro pověšení trubice

Ochrana životního prostředí



Elektrické zařízení, použité akumulátory a nabíječku nevhazujte do domovního odpadu!

Předejte tento výrobek autorizované recyklační společnosti ke tříděnému sběru.

Elektrické nářadí musí být vráceno do zařízení pro ekologickou recyklaci.

GZ



ODSTRAŇOVÁNÍ ZÁVAD

PROBLÉM	PŘÍČINA	ŘEŠENÍ
Foukač nefunguje.	<ul style="list-style-type: none">■ Bez elektrického kontaktu mezi foukačem a akumulátory.■ Akumulátory jsou vybité.■ Akumulátory nebo ventilátor jsou příliš horké.	<ul style="list-style-type: none">■ Vyjměte akumulátor, zkontrolujte kontakty a znovu jej nainstalujte.■ Nabijte akumulátor.■ Akumulátory a ventilátor chladte, dokud teplota neklesne pod 67°C.
Rychlost vzduchu se výrazně snižuje.	<ul style="list-style-type: none">■ Přívod vzduchu je zablokovaný nečistotami.■ Nadměrné opotřebení rotoru motoru.	<ul style="list-style-type: none">■ Vyjměte akumulátory, odstraňte nečistoty.■ S opravou kontaktujte servisní středisko společnosti EGO.
Porucha LCD obrazovky	<ul style="list-style-type: none">■ Došlo k poškození sestavy LCD displeje nebo je špatně připojen vodič sestavy LCD displeje.	<ul style="list-style-type: none">■ S opravou kontaktujte servisní středisko společnosti EGO.

ZÁRUKA

CZ

ZÁRUKA SPOLEČNOSTI EGO

Úplné záruční podmínky společnosti EGO naleznete na webové stránce egopowerplus.com.

PREČÍTAJTE SI VŠETKY POKYNY!



PREČÍTAJTE SI NÁVOD NA OBSLUHU

POZNÁMKA: Tieto pokyny sú tiež k dispozícii aj v inom formáte, napr. na internetových stránkach.

⚠ Potenciálne riziká! Ľudia s elektronickými zariadeniami, napríklad kardiostimulátorom, musia používanie tohto výrobku konzultovať so svojim lekárom. Použitie elektrických zariadení v tesnej blízkosti kardiostimulátora by mohlo spôsobiť rušenie alebo zlyhanie kardiostimulátora.

⚠ VAROVANIE: Pre zaistenie bezpečnosti a spoľahlivosti je nevyhnutné, aby všetky opravy a výmeny vykonával len kvalifikovaný servisný technik.

BEZPEČNOSTNÉ SYMBOLY

Účelom bezpečnostných symbolov je upozorniť na možné nebezpečenstvá. Venujte príslušnú pozornosť a pochopte bezpečnostné symboly a ich vysvetlenia. Varovné symboly, samy o sebe, nedokážu eliminovať nebezpečenstvo. Pokyny a varovania, ktoré obsahujú, nie sú náhradou za vhodné opatrenia na prevenciu úrazov.

⚠ VAROVANIE: Pred použitím tohto nástroja si prečítajte a pochopte všetky bezpečnostné pokyny v tomto návode na obsluhu, vrátane všetkých bezpečnostných výstražných symbolov, ako sú „**NEBEZPEČENSTVO**“, „**VAROVANIE**“ a „**UPOZORNENIE**“. Nedodržanie nižšie uvedených pokynov môže mať za následok úraz elektrickým prúdom, požiar a/alebo vážne zranenie.

PREVENCIA POŠKODENIA A INFORMAČNÉ OZNAMY

Informujú používateľa o dôležitých informáciách a/alebo pokynoch, ktorých nedodržanie by mohlo viesť k poškodeniu zariadenia alebo k iným škodám. Každý oznam predchádza slovo „**POZNÁMKA**“, ako je uvedené v nasledujúcom príklade:

POZNÁMKA: Môže dôjsť k poškodeniu zariadenia a/alebo majetku, ak tieto pokyny nie sú dodržiavané.



⚠ AROVANIE: Prevádzka akéhokoľvek elektrického náradia môže viesť k vymršteniu cudzích predmetov do vašich očí, čo môže spôsobiť vážne poškodenie zraku. Predtým, než začnete používať elektrické náradie, si vždy nasadte ochranné okuliare alebo ochranné okuliare s postrannými krytmi a prípadne celotvárový štít. Odporúčame použiť bezpečnostnú masku so širokým prieszorom na okuliare alebo štandardné bezpečnostné okuliare s postrannými krytmi.

SK

BEZPEČNOSTNÉ POKYNY

Táto strana zobrazuje a popisuje bezpečnostné symboly, ktoré sa objavujú na tomto výrobku. Pred pokusom o zostavenie a prevádzkovanie si prečítajte, pochopte a dodržiavajte všetky pokyny na stroji.



Bezpečnostné upozornenie



Pri práci s týmto výrobkom vždy noste ochranné okuliare alebo ochranné okuliare s postrannými krytmi a celotvárový štít.



Pri práci s týmto výrobkom vždy používajte ochranu sluchu.



Ak chcete znížiť riziko zranenia, používateľ musí pred použitím tohto výrobku prečítať návod na obsluhu.



Udržiavajte okolostojace osoby vo vzdialenosti aspoň 15 m.



Tento výrobok je v súlade s platnými smernicami ES.



Tento výrobok je v súlade s platnou legislatívou Spojeného kráľovstva.



Odpadové elektrické výrobky sa nesmú likvidovať spolu s domovým odpadom. Odovzdajte do autorizovaného recyklačného strediska.

V Volt

A Ampéry

Hz Hertz

W Watt

min Minúty

m³/h Meter kubický za hodinu

km/h Kilometre za hodinu

 Jednosmerný prúd

n₀ Rýchlosť bez zaťaženia

... /min Za minútu

IPX5 Ochrana pred vodnými tryskami

SK

TECHNICKÉ ÚDAJE

Napätie	56 V
Maximálny objem vzduchu	1360 m ³ /h
Maximálna rýchlosť vzduchu	85 m/s
Maximálna sila ventilátora	26 N
Odporúčaná prevádzková teplota	-15°C-40°C
Odporúčaná skladovacia teplota	-20°C-70°C
Hmotnosť dúchadla (bez akumulátora s trubicou)	7,4 kg
Nameraná hladina akustického výkonu L _{WA}	97 dB(A) K=1,2 dB(A)
Hladina akustického tlaku na uši obsluhy L _{PA}	86,2 dB(A) K=2,5 dB(A)
Garantovaná hladina akustického výkonu L _{WA} (podľa 2000/14/ES)	98 dB(A)
Vibrácie a _h	0,4 m/s ² K=1,5 m/s ²

- Deklarovaná celková hodnota vibrácií bola meraná v súlade so štandardnou skúšobnou metódou a môže sa použiť na vzájomné porovnanie jednotlivých náradí;
- Uvádzaná celková hodnota vibrácie sa môže použiť aj na predbežný odhad expozície.

POZNÁMKA: Emisia vibrácií pri skutočnom používaní náradia sa môže odlišovať od deklarovanej hodnoty, pri akej sa nástroj používa; za účelom ochrany obsluhy má používateľ v skutočných podmienkach použitia nosiť rukavice a ochranu sluchu.

OBSAH BALENIA (OBR. A1)

POPIS

ZOZNÁMTE SA S VAŠIM DÚCHADLOM

(obr. A1 a A2)

1. Rukoväť
2. Tlačidlá uvoľnenia akumulátora
3. Západka
4. Elektrické kontakty
5. Pomocná rukoväť
6. Prívod vzduchu
7. Ohybná trubica

8. Trubica ovládacej rukoväti
9. Trubica dúchadla
10. Ovládacia rukoväť
11. Batohová doska
12. Skladovací gombík dúchadlovej trubice
13. Nastaviteľné nosné popruhy
14. Zúžená tryska
15. Tlačidlo ovládania rýchlosti
16. LCD obrazovka
17. Tlačidlo turbo
18. Hlavný vypínač
19. Závesná štrbina trubice
20. Rýchlopúlnacia páčka
21. Stav nabitia
22. Ikona ventilátora
23. Kontrolka turbo
24. Indikátor rýchlosti vzduchu
25. Ikona tempomatu
26. Ikona akumulátora

VAROVANIE: Bezpečné používanie tohto výrobku vyžaduje pochopenie informácií o nástroji, pochopenie tohto návodu na obsluhu, ako aj znalosti o práci, ktorú sa pokúšate vykonávať. Pred použitím tohto výrobku sa oboznámte so všetkými prevádzkovými funkciami a bezpečnostnými pravidlami.

SK

MONTÁŽ

VAROVANIE: Ak akýkoľvek diel chýba, alebo je poškodený, nepoužívajte tento výrobok, kým nie sú vymenené diely. Ak používate tento výrobok s poškodenými alebo chýbajúcimi časťami, môže dôjsť k vážnemu zraneniu.

VAROVANIE: Nepokúšajte sa upravovať tento výrobok alebo vytvoriť príslušenstvo, ktoré nie je odporúčané na použitie s týmto dúchadlom. Každá takáto zmena alebo modifikácia sa považuje za zneužitie a môže spôsobiť nebezpečný stav, ktorý vedie k možnému vážnemu zraneniu.

VAROVANIE: Pri montáži dielov vždy vyberte akumulátory z náradia, aby ste zabránili náhodnému spusteniu, ktoré by mohlo spôsobiť vážne zranenia.

MONTÁŽ TRUBÍC DÚCHADLA

Pripojenie zostavy trubice ovládacej rukoväti k ohybnej trubici (obr. C)

1. Vložte horný koniec trubice ovládacej rukoväti do ohybnej trubice tak ďaleko, ako to pôjde.
2. Úplne utiahnite skrutku v upínacej manžete na ohybnej trubici.

C-1	Upínacia manžeta
C-2	Skrutka

Pripojenie trubice ventilátora k trubici ovládacej rukoväti (obr. D)

1. Uvoľnite a vyberte rýchloupínaciu páčku a krídlovú maticu zo zostavy trubicovej svorky upevnenej na trubici dýchadla.

D-1	Svorka trubice
D-2	Krídlová matica

2. Zarovnajete drážku v trubici dýchadla s rebrom na trubici ovládacej rukoväti, posuňte trubicu dýchadla cez trubicu ovládacej rukoväti tak ďaleko, ako to pôjde.
3. Zasuňte kolík rýchloupínacej páčky a zatvorte páčku na svorku trubice.
4. Utiahnite krídlovú maticu, aby ste upevnili svorku trubice na miesto.

Pripojenie kužeľovej trysky na trubicu dýchadla (obr. E, F)

1. Zarovnajete drážku v tryske so západkou na trubici. Zatlačte trysku cez hadičku, kým bezpečne nezapadne na miesto.
2. Stlačením a podržaním tlačidla uvoľnenia trysky uvoľníte západku, potom trysku vytiahnite priamo z trubice dýchadla.

E-1	Tlačidlo uvoľnenia trysky
E-2	Západka

OBSLUHA

VAROVANIE: Nedovoľte, aby dlhodobá skúsenosť práce s týmto výrobkom spôsobila vašu neopatnosť. Pamätajte na to, že aj chvíľková neopatnosť stačí na to, aby spôsobila vážny úraz.

VAROVANIE: Nepoužívajte žiadne doplnky alebo príslušenstvo, ak ho neodporúča výrobca uvedeného výrobku. Používanie nástavcov alebo príslušenstva, ktoré nie je odporúčané, môže viesť k vážnemu zraneniu osôb.

VAROVANIE: Vždy vyberte akumulátory z nástroja pri montáži dielov, vykonávaní úprav, čistení, alebo keď sa nepoužíva. Vybratie akumulátorov zabráni náhodnému spusteniu, ktoré by mohlo viesť k vážnemu zraneniu.

Pred každým použitím skontrolujte, či na zariadení nie sú poškodené, chýbajúce alebo uvoľnené časti, napríklad skrutky, matice, závitky, uzávery, atď. Bezpečne utiahnite všetky upevňovacie prvky a uzávery a nepoužívajte tento výrobok, kým nebudú vymenené všetky chýbajúce alebo poškodené diely.

VAROVANIE: Ak narazíte na núdzovú situáciu, priamo oddeľte pracku na hrudi, aby ste odtiahli dýchadlo.

POUŽITIE

Tento výrobok môžete použiť na tieto uvedené účely:

- Čistenie tvrdých povrchov, ako sú príjazdové cesty a chodníky.
- Udržiavanie plôch a príjazdových ciest bez listov a ihličia.

POZNÁMKA: Náradie sa musí používať v súlade s účelom použitia. Každé iné použitie sa považuje za prípad nevhodného použitia.

INŠTALÁCIA/VYBRATIE AKUMULÁTOROV

PRED PRVÝM POUŽITÍM AKUMULÁTOR NABITE.

Používajte iba s akumulátormi a nabíjačkami uvedenými na obr. B.

POZNÁMKA: Pre najlepší výkon odporúčame použiť akýkoľvek akumulátor EGO 56 V s kapacitou vyššou ako 5,0 Ah.

Dýchadlo má dve aktívne priehradky na akumulátor na ľavej a pravej strane krytu priestoru pre akumulátor.

POZNÁMKA: Dýchadlo môže pracovať s jedným alebo dvomi akumulátormi. Použitie dvoch akumulátorov vám poskytne dlhšiu dobu prevádzky a efektívny odber energie riadený technológiou PEAK POWER™.

Ak bol akumulátor vložený do priestoru pre akumulátor označený číslom 1 alebo 2 na batohovej doske, na LCD displeji sa rozsvieti príslušná ikona akumulátora (obr. G) po zapnutí dýchadla.

G-1	Značka polohy priestoru pre akumulátor
-----	--

■ Inštalácia (obr. H)

Spojte akumulátor s montážnymi otvormi a stlačte akumulátor nadol, kým nebudete počuť „cvaknutie“. Opakujte postup na inštaláciu druhého akumulátora.

■ Vybratie (obr. I)

Stlačte tlačidlá na uvoľnenie akumulátora a vytiahnite akumulátory.

VAROVANIE: Vždy majte na pamäti umiestnenie vašich nôh, polohu detí, či zvierat pri stlačení tlačidla pre uvoľnenie akumulátora. Mohlo by dôjsť k vážnemu zraneniu v prípade vypadnutia akumulátora. NIKDY nevyberajte akumulátor, ak sa nachádzate vo vysokej polohe.

UMIESTNENIE CHRBTOVÉHO DÚCHADLA

VAROVANIE: Oblečte sa vhodne pri práci s týmto náradím, aby sa znížilo riziko poranenia. Nenoste šperky alebo voľný odev. Používajte ochranu očí a sluchu. Oblečte si odolné, dlhé nohavice, vysoké topánky a rukavice. Nenoste krátke nohavice, sandále alebo nebuďte naboso.

Nastavenie nosných popruhov

1. Preveďte si ruky cez ramenné popruhy, aby ste mohli niesť dýchadlo na chrbte.
2. Nastavte oba ramenné popruhy, kým sa nebudete cítiť pohodlne s dýchadlom na chrbte (obr. J).
3. Zaklapnite hrudnú sponu a v prípade potreby (obr. K) nastavte jej dĺžku.
4. Zaklapnite driekovú pracku a nastavte dĺžku tak, aby batoh bol pevne podporovaný vašimi bokmi (obr. L a M).
5. Upravte ramenné popruhy pre bezpečnosť a pohodlie. Tým zaistíte, že batoh pevne sedí na chrbte, jeho hmotnosť je podporovaná driekovým pásmom bez nadmerného pohybu pri pohybe (obr. N).
6. Zasuňte zvyšnú časť pásu do gumičiek na oboch stranách (obr. O).
7. Ak chcete odpojiť náradie z chrbta, stačí stlačiť driekovú a hrudnú sponu pre ich uvoľnenie (obr. P).

Nastavenie ovládacej rukoväte

1. Uvoľnite rýchlopínaciu páčku a posuňte ovládaciu rukoväť dopredu alebo dozadu podľa potreby (obr. Q a R) a potom dotiahnite rýchlopínaciu páčku, aby ste zaistili rukoväť na mieste.
2. Môžete tiež otočiť rukoväť podľa potreby pre väčšie pohodlie (obr. S).

Nastavenie dĺžky trubice ovládacej rukoväte (obr. T1, T2)

1. Uvoľnite rýchlopínaciu páčku a posuňte trubicu dýchadla do pohodlnej prevádzkovej polohy.
2. Uťahnite rýchlopínaciu páčku pre zaistenie trubice dýchadla na mieste.

SPUSTENIE/ZASTAVENIE DÚCHADLA

Hlavný vypínač (obr. U1, U2)

- Stlačením hlavného vypínača zapnete dýchadlo. Na LCD obrazovke sa zobrazuje stav nabitia, ikona akumulátora, indikátor rýchlosti vzduchu.
- Rýchlosť vzduchu dýchadla sa ovláda hlavným vypínačom. Čím viac je hlavný vypínač stlačený, tým viac vzduchu prúdi z trysky. Nastavte rýchlosť tak, aby vyhovovala vykonávanej úlohe. Na LCD obrazovke sa zobrazí príslušná ikona rýchlosti vzduchu.
- Uvoľnite spúšť a vypnite dýchadlo. Po 6 sekundách sa LCD obrazovka vypne.

Režim turbo

Po stlačení a podržaní hlavného vypínača stlačte tlačidlo turbo, aby ste maximalizovali prúdenie vzduchu (obr. U1). Indikátor turbo a ikona ventilátora sa rozsvieti na LCD obrazovke (obr. U3).

POZNÁMKA: Dýchadlo sa vráti na predchádzajúcu rýchlosť, keď sa uvoľní tlačidlo turbo.

Režim tempomatu

Režim tempomatu ponúka činnosť bez hlavného vypínača.

Ak chcete zapojiť režim tempomatu:

1. Stlačte a podržte hlavný vypínač na požadovanej rýchlosti (obr. U1).
2. Stlačte tlačidlo tempomatu. Uvoľnite tlačidlo po zobrazení ikony tempomatu na LCD obrazovke (Obr. U4).
3. Uvoľnite hlavný vypínač, dýchadlo bude pokračovať v chode.

Stlačením tlačidla turbo v režime tempomatu môžete dočasne zvýšiť rýchlosť vzduchu na maximálnu úroveň. Dýchadlo obnoví predchádzajúcu rýchlosť po uvoľnení tlačidla turbo.

Ak chcete vypnúť režim tempomatu:

Opätovným stlačením tlačidla tempomatu vypnete režim tempomatu. Ikona tempomatu na LCD obrazovke zmizne.

Tipy pre použitie dýchadla

- Pred fúkaním použite hrable a metly na uvoľnenie nečistôt. V prašných podmienkach ľahko navlhčíte povrch, ak je k dispozícii voda.
- Dávajte pozor na deti, domáce zvieratá, otvorené okná alebo čerstvo umyté auta a fúkajte odpad do bezpečnej vzdialenosti.
- Po použití dýchadiel alebo iných zariadení nezabudnite upratať!

ÚDRŽBA

VAROVANIE: Pri servise používajte iba identické náhradné diely. Použitie iných častí môže vyvolať nebezpečenstvo, alebo spôsobiť poškodenie výrobku. Pre zaistenie bezpečnosti a spoľahlivosti je nevyhnutné, aby všetky opravy vykonával len kvalifikovaný servisný technik.

VAROVANIE: Pri čistení alebo vykonávaní údržby vždy vyberte akumulátor z výrobku, aby nedošlo k vážnemu zraneniu.

CELKOVÁ ÚDRŽBA

Na čistenie plastových dielov nepoužívajte rozpúšťadlá. Väčšina plastov je náchylná na poškodenie rôznymi typmi komerčných rozpúšťadiel a môžu sa poškodiť, ak sa rozpúšťadlá použijú. Použite čisté handry na odstránenie nečistôt, prachu, oleja, maziva, atď.

VAROVANIE: Nikdy nedovoľte, aby brzdové kvapaliny, benzín, ropné výrobky, penetračné oleje atď. prišli do styku s plastovými časťami. Chemické látky môžu poškodiť, oslabiť alebo zničiť plast, čo môže viesť k vážnemu zraneniu.

USKLADNENIE

- Vyberte akumulátor z dýchadla.
- Odstráňte všetky nečistoty zo vzduchových prívodov dýchadla.
- Zarovnajete skladovací gombík dýchadlovej trubice so závesnou drážkou trubice a zaháknite trubicu dýchadla na kryt priestoru pre akumulátory (pozrite obr. V a W).
- Skladujte v uzavretom priestore, ktorý nie je prístupný deťom. Chráňte pred agresívnymi látkami, ako sú záhradné chemikálie a rozmrazovacie soli.

V-1	Skladovací gombík dýchadlovej trubice
V-2	Závesná štrbina trubice

Ochrana životného prostredia



Nevyhadzujte elektrické zariadenia, nabíjačku a použité akumulátory do domového odpadu!

Tento výrobok odneste na autorizované recyklačné miesto a poskytnite ho na separovaný zber. Elektrické náradie sa musí odovzdať do príslušného zariadenia na ekologicky šetrnú recykláciu.

ODSTRAŇOVANIE PORÚCH

PROBLÉM	PRÍČINA	RIEŠENIE
Dúchadlo nefunguje.	<ul style="list-style-type: none">■ Žiadny elektrický kontakt medzi dúchadlom a akumulátormi.■ Akumulátory sú vybité.■ Akumulátory alebo dúchadlo sú príliš horúce.	<ul style="list-style-type: none">■ Vyberte akumulátor, skontrolujte kontakty a akumulátor nainštalujte naspäť.■ Nabite akumulátory.■ Nechajte vychladnúť akumulátory alebo dúchadlo, kým teplota neklesne pod 67°C.
Rýchlosť prúdenia vzduchu sa významne znižuje.	<ul style="list-style-type: none">■ Prívod vzduchu je zablokovaný nečistotami.■ Nadmerné opotrebovanie motora dúchadla.	<ul style="list-style-type: none">■ Vyberte akumulátory, vyčistite zvyšky.■ Kontaktujte servisné stredisko EGO pre opravu.
Porucha LCD obrazovky.	<ul style="list-style-type: none">■ Zostava LCD je poškodená alebo je nesprávne pripojená zostava LCD.	<ul style="list-style-type: none">■ Kontaktujte servisné stredisko EGO pre opravu.

ZÁRUKA

ZÁRUČNÁ POLITIKA EGO

Navštívte webové stránky egopowerplus.com pre úplné podmienky záručnej politiky spoločnosti EGO.

SK

OLVASSA EL AZ ÖSSZES UTASÍTÁST!



OLVASSA EL A HASZNÁLATI ÚTMUTATÓT

MEGJEGYZÉS: A használati útmutató alternatív formában, ill. a honlapon is elérhető.

⚠ Maradék kockázat! Az elektronikus készülékekkel, például pacemakerrel élő emberek a termék használata előtt kérjék ki orvos véleményét. Az elektromos felszerelésnek a pacemakerhez közel való működtetése interferenciát vagy meghibásodást okozhat a pacemakerben.

⚠ FIGYELMEZTETÉS: A biztonságosság és megbízhatóság biztosítása érdekében minden javítást és cserét szakképzett szerviztechnikus hajtson végre.

BIZTONSÁGI SZIMBÓLUMOK

A biztonsági szimbólumok célja, hogy felhívják a figyelmet az esetleges veszélyekre. Nagyon figyeljen a biztonsági szimbólumokra és magyarázatokra, ill. ezek megértésére. A szimbólumok figyelmeztetései önmagukban nem hártják el a veszélyeket. Az utasítások és figyelmeztetések nem helyettesítik a megfelelő balesetmegelőző intézkedéseket.

⚠ FIGYELMEZTETÉS: A szerszám használata előtt feltétlenül olvassa el és értse meg a jelen kezelési útmutatóban található valamennyi biztonsági utasítást, valamint a „VESZÉLY”, „FIGYELMEZTETÉS”, és „FIGYELEM” biztonsági figyelmeztető szimbólumokat is. Az alább felsorolt utasítások be nem tartása áramütést, tűzveszélyt és/vagy súlyos személyi sérülést idézhet elő.

KÁRMEGELŐZÉSI ÉS TÁJÉKOZTATÁSI ÜZENETEK

HU

Ezek a használatot a fontos információkról és/vagy utasításokról értesítik, amelyek be nem tartása a felszerelés sérülését vagy más vagyoni kárt okozhat. Minden értesítés előtt a „MEGJEGYZÉS” szó áll, ahogy az alábbi példában is:

MEGJEGYZÉS: A felszerelés sérülése és/vagy vagyoni kár akkor léphet fel, ha nem tartják be ezeket az utasításokat.



⚠ FIGYELMEZTETÉS: Bármely elektromos kéziszerszám működtetése azzal járhat, hogy idegen tárgyak szembe kerülnek, ami súlyos szemsérüléseket okozhat. Az elektromos kéziszerszám működtetése előtt mindig vegyen fel oldalsó védőlemezzel ellátott védőszemüveget és a teljes védőárlarcot, ha szükséges. Javasoljuk, hogy viseljen Wide Vision Safety Mask-ot (védőárlarc) a védőszemüveg fölött vagy standard védőszemüveget oldalsó védőlemezzel.

BIZTONSÁGI UTASÍTÁSOK

Ezen az oldalon olyan biztonsági szimbólumok láthatók és olvashatók, amelyek megjelenhetnek a terméken. Az összeszerelés vagy működtetés előtt olvassa el, értse meg és tartsa be a gép minden utasítását.



Biztonsági figyelmeztetés



Mindig viseljen hallásvédőt a termék működtetése közben.



Minden nézelődő legalább 15 m távolságban legyen.



Ez a termék megfelel az Egyesült Királyság hatályos jogszabályainak.

V Volt

Hz Hertz

perc Perc

km/h Kilométer óránként

n_0 Üresjárat fordulatszám

IPX5 Védelem a vízsugarak ellen



Mindig viseljen védőszemüveget vagy oldalsó védőlemezzel ellátott védőszemüveget és teljes védőárlapot a termék működtetése során.



A sérülések kockázatának csökkentése érdekében a felhasználónak a termék használata előtt el kell olvasnia a használati útmutatót.



A termék megfelel az érvényes EK irányelveknek.



Az elhasznált elektromos termékek nem helyezhetők a háztartási hulladékok közé. Vigye hivatalos újrahasznosító telephelyre.

A Amper

W Watt

m³/h Négyzetméter óránként

— — Egyenáram

.../perc Perccenként

HU

JELLEMZŐK

Feszültség	56 V 
Maximális légmennyiség	1360 m ³ /óra
Maximális levegő sebesség	85 m/s
Maximális fúvóerő	26 N
Javasolt üzemi hőmérséklet	-15°C-40°C
Javasolt tárolási hőmérséklet	-20°C-70°C
A lombfúvó súlya (akkumulátoregység nélkül, csóvel)	7,4 kg
Mért hangteljesítményszint L _{WA}	97 dB(A) K=1,2 dB(A)
Hangnyomásszint a kezelő fülénél L _{PA}	86,2 dB(A) K=2,5 dB(A)
Garantált hangteljesítményszint L _{WA} (a 2000/14/EK szerint)	98 dB(A)
Vibráció a _h	0,4 m/s ² K=1,5 m/s ²

- A névleges rezgési összérték mérése standard bevizsgálási módszerrel történt, és használatával a szerszámok egymással összehasonlíthatók.
- A névleges rezgési összérték a kockázat előzetes felméréséhez is felhasználható.

MEGJEGYZÉS: A rezgés-kibocsátás az elektromos szerszám aktuális használata közben eltérhet attól a névleges értéktől, amellyel a szerszámot használják: a kezelő védelme érdekében a használónak kesztyűt és hallásvédőt kell használnia működtetés közben.

A CSOMAG TARTALMA (A1 ÁBRA)

LEÍRÁS

ISMERJE MEG A LOMBFÚVÓT (A1 és A2 ábra)

1. Fogantyú
2. Akkumulátor kioldógombok
3. Zár
4. Elektromos érintkezők
5. Segédfohantyú
6. Levegőbemenet
7. Fúvókák
8. Szabályozócső

9. Lombfúvó cső
10. Szabályozó fogantyú
11. Háti lemez
12. Lombfúvó cső tároló gomb
13. Állítható tartó hám
14. Kúpos szűrőfej
15. Sebességtartó gomb
16. LCD kijelző
17. Turbo gomb
18. Indítókapcsoló
19. Csőakasztó horony
20. Gyorskioldó kar
21. Üzemanyagmérő
22. Ventilátor ikon
23. Turbó jelzőlámpa
24. Légsebesség-jelző
25. Sebességtartó ikon
26. Akkumulátor ikon

▲ FIGYELMEZTETÉS: A termék biztonságos használatához meg kell értenie a szerszámon és a használati útmutatóban lévő információkat, valamint ismernie kell azt a munkát, amelyet el akar végezni. A termék használata előtt ismerje meg a működési funkciókat és a biztonsági szabályokat.

ÖSSZESZERELÉS

▲ FIGYELMEZTETÉS: Ha bármely alkatrész sérült vagy hiányzik, akkor addig ne használja a terméket, amíg az alkatrész(ek) cseréje meg nem történik. Sérült vagy hiányzó alkatrészekkel történő használat súlyos személyi sérülést okozhat.

▲ FIGYELMEZTETÉS: Ne próbálja megváltoztatni a terméket, és ne készítsen hozzá tartozékokat, amelyek nem javasoltak ehhez a lombfúvóhoz. Bármilyen módosítás vagy változtatás helytelen használatnak minősül, és veszélyes feltételeket teremthet, amely súlyos személyi sérüléssel végződhet.

▲ FIGYELMEZTETÉS: Az akár súlyos személyi sérülést is okozó, véletlenszerű indítás elkerülése érdekében mindig vegye ki az akkumulátoregységet a szerszámból, amikor összeszereli az alkatrészeket.

A LOMBFÚVÓ CSÖVEK FELHELYEZÉSE

A szabályozócső csatlakoztatása a fúvókákhoz (C ábra)

1. Illessze a szabályozócső felső végét a fúvókákba, ameddig csak lehet.
2. Húzza meg teljesen a csavart a fúvókákon lévő rögzítőgallérban.

C-1	Rögzítőgallér
C-2	Csavar

A fúvócső csatlakoztatása a szabályozócsőhöz (D ábra)

1. Lazítsa meg és távolítsa el a gyorskioldó kart és a szárnyas anyát a fúvócsőre rögzített csőbilincs-egységről.

D-1	Csőbilincs
D-2	Szárnyas anya

2. Igazítsa a fúvócső hornyát a szabályozócsővön lévő bordához, és csúsztassa a fúvócsövet a szabályozócsővön, ameddig csak lehet.
3. Illessze be a gyorskioldó kar csapját, és zárja a kart a csőbilincse.
4. Húzza meg a szárnyas anyát a csőbilincs rögzítéséhez.

A kúpos szórófej csatlakoztatása a fúvócsőhöz (E, F ábra)

1. Igazítsa a szórófejen lévő hornyot a csővön lévő reteshez. Nyomja a szórófejet a csőre, amíg biztonságosan a helyére nem pattan.
2. Nyomja meg és tartsa lenyomva a szórófej kioldógombját a retesz kioldásához, majd egyenesen húzza le a szórófejet a lombfúvó csőről.

E-1	Szórófej kioldó gomb
E-2	Zár

HASZNÁLAT

▲ FIGYELMEZTETÉS: Ügyeljen rá nehogy a termékkel szerzett jártassága miatt óvatlanná váljon. Emlékezzon arra, hogy a másodperc töredéke alatt történő óvatlanság súlyos sérülést okozhat.

▲ FIGYELMEZTETÉS: Ne használjon a termék gyártója által nem javasolt tartozékokat. A nem javasolt tartozékok használata súlyos személyi sérülést okozhat.

▲ FIGYELMEZTETÉS: Mindig vegye ki az akkumulátoregységet a termékből, amikor összeszereli az alkatrészeket, beállításokat, tisztítást végez, vagy amikor nem használja. Ha kiveszi az akkumulátoregységet, azzal megelőzi a véletlenszerű indítást, amely súlyos személyi sérüléseket okozhat.

Minden használat előtt ellenőrizze a teljes terméket sérülések, hiányzó vagy laza alkatrészek, pl. csavarok, anyák, alátétek, sapkák stb. szempontjából. Biztonságosan húzzon meg minden rögzítőt és sapkát, és ne használja a terméket, amíg a sérült vagy hiányzó alkatrészeket ki nem cserélték.

▲ FIGYELMEZTETÉS: Vészhelyzet esetén a mellkasi csatot válassza le egyenesen a szórófej levételéhez.

ALKALMAZÁS

A terméket az alábbi célokra használhatja:

- Kemény felületek megtisztítása, pl. úttestek és járdák.
- A burkolatok és úttestek tisztán tartása levelektől és tülevelektől.

MEGJEGYZÉS: A szerszámot csak az előírt célokra használja. Bármilyen más használat helytelen használatnak minősül.

AZ AKKUMULÁTOROK BEHELYEZÉSE/LEVÉTELE

AZ ELSŐ HASZNÁLAT ELŐTT TÖLTSE FEL.

Kizárólag a B ábrán felsorolt akkumulátorokkal és töltőkkel használható.

MEGJEGYZÉS: A legjobb teljesítmény érdekében javasoljuk, hogy olyan EGO 56 V-os akkumulátort használjon, amelynek kapacitása nagyobb, mint 5,0 Ah.

A lombfúvónak két aktív akkumulátortartója van az akkumulátortartó-ház bal és jobb oldalán.

MEGJEGYZÉS: A lombfúvó egy vagy két akkumulátorral is képes működni. A két akkumulátor használata hosszabb üzemidőt és a PEAK POWER™ technológia által kezelt hatékony energiafelvételt biztosít.

Ha a háti lemez 1-es vagy 2-es jelölésű akkumulátortartójába akkumulátort helyeztek, akkor a megfelelő akkumulátor ikonja világít az LCD kijelzőn (G ábra), ha bekapcsolja a lombfúvót.

G-1	Akkumulátortartó pozíciójának jelölése
-----	--

HU

■ Behelyezés (H ábra)

Illessze az akkumulátor bordáit az akkumulátorban lévő szerelőnyíláshoz, és nyomja le az akkumulátoregységet, amíg „kattanó” hangot nem hall. Ismételje meg a folyamatot a második akkumulátor beszereléséhez.

■ Kivétel (I ábra)

Nyomja le az akkumulátor-kioldó gombokat, és húzza ki az akkumulátorokat.

⚠ FIGYELMEZTETÉS: Mindig ügyeljen a lába alatti területre, a gyermekekre és a kisállatokra, amikor megnyomja az akkumulátor-kioldó gombot. Súlyos sérülést okozhat, ha az akkumulátoregység leesik. SOHA ne vegye ki az akkumulátoregységet, ha magas helyen van.

A HÁTI LOMBFÚVÓ POZICIONÁLÁSA

⚠ FIGYELMEZTETÉS: Megfelelően öltözzön fel a sérülések kockázatának csökkentése érdekében, amikor a szerszámot működteti. Ne viseljen laza ruházatot vagy ékszereket. Viseljen szem-/fülvédőt. Viseljen erős, hosszú szárú nadrágot, cipőt és kesztyűt. Ne viseljen rövidnadrágot vagy szandált, és ne járjon mezítláb.

A tartó hámb beállítása

1. Dugja át a karját a szíjon keresztül, hogy a lombfúvót a hátára helyezhesse.
2. Állítsa be mindkét vállpántot, amíg úgy nem érzi, hogy a lombfúvó kényelmesen fekszik a hátán (J ábra).
3. A mellkas csatot kapcsolja be, és szükség esetén állítsa be a hosszúságot (K ábra).
4. Kapcsolja össze a derék csatot, és állítsa be a hosszúságot úgy, hogy a háti szerkezetet a csípője biztonságosan tartsa (L és M ábra).
5. Úgy állítsa be a vállszíjakat, hogy biztonságosak és kényelmesek legyenek. Gondoskodjon arról, hogy a háti szerkezet biztonságosan legyen a hátán, a súlyt a szíjak megtartsák, és mozgás közben ne kelljen miattuk felesleges mozgást végezni (N ábra).
6. A felesleges szíjat tekerje a derekán a két oldalon lévő gumiszalagba (O ábra).
7. A háti egység levételéhez egyszerűen nyomja meg a csípő és mellkas csatokat a kioldáshoz (P ábra).

A szabályozó fogantyú beállítása

1. Engedje ki a gyorskioldó kart, hogy a szabályozó fogantyút szükség szerint előre vagy hátra mozgathatja (Q és R ábra), majd kapcsolja be a gyorskioldó kart a fogantyú rögzítéséhez.

2. El is fordíthatja a fogantyút, hogy kényelmes legyen (S ábra).

A szabályozócső hosszának beállítása (T1, T2 ábra)

1. Engedje ki a gyorskioldó kart, hogy a fúvócsövet kényelmes működési helyzetbe állítsa.
2. A fúvócső rögzítéséhez kapcsolja be a gyorskioldó kart.

A LOMBFÚVÓ ELINDÍTÁSA/LEÁLLÍTÁSA

Indítókapcsoló (U1, U2 ábra)

- A lombfúvó bekapcsolásához nyomja le az indítókapcsolót. Az LCD kijelzőn megjelenik az üzemanyagmérő, az akkumulátor ikon és a légsebesség-jelző.
- A lombfúvó légsebességét az indítókapcsolóval szabályozhatja. Minél tovább nyomja le az indítókapcsolót, annál több levegő áramlik ki a szórófejből. A sebességet az aktuális feladat elvégzésének megfelelően állítsa be. A megfelelő légsebesség ikon jelenik meg az LCD kijelzőn.
- A lombfúvó kikapcsolásához engedje el az indítókapcsolót. 6 másodperc elteltével az LCD kijelző kikapcsol.

Turbó üzemmód

Az indítókapcsoló lenyomva tartása mellett nyomja meg a turbó gombot a légáramlás maximalizálásához (U1 ábra). Az LCD kijelzőn a turbójelző és a ventilátor ikon világít (U3 ábra).

MEGJEGYZÉS: A turbó gomb felengedésekor a lombfúvó visszaáll az előző sebességre.

Sebességtartó modell

A sebességtartó üzemmód indítókapcsoló nélküli működést kínál.

A sebességtartó üzemmód bekapcsolása:

1. Nyomja le és tartsa lenyomva az indítókapcsolót a kívánt sebességnél (U1 ábra).
2. Nyomja meg a sebességtartó automatika gombot. Engedje ki a gombot, miután a sebességtartó automatika ikonja megjelenik az LCD kijelzőn (U4 ábra).
3. Engedje el az indítókapcsolót, a lombfúvó tovább működik.

A sebességtartó automatika üzemmódban a turbó gomb megnyomásával a levegő sebessége átmenetileg a maximális szintre növelhető. A turbó gomb felengedésekor a lombfúvó visszaáll a korábbi sebességre.

A sebességtartó automatika üzemmód kikapcsolása:

Nyomja meg újra a sebességtartó automatika gombot a sebességtartó automatika üzemmód kikapcsolásához. A sebességtartó automatika LCD kijelzőn látható ikonja eltűnik.

Tipp a lombfúvó használatához

- Lombfúvás előtt használja a gereblyét és seprőt a hulladék fellazításához. Poros körülmények között nedvesítse meg a felületet, ha van víz a közelben.
- Ügyeljen a gyermekekre, állatokra, nyitott ablakokra, vagy frissen lemosott autókra, és a hulladékot biztonságosan más irányba fújja.
- A lombfúvó vagy más felszerelés használata után tisztítsa meg!

- Gyermekek számára nem elérhető, zárt helyen tárolja. Tartsa távol maró hatású szerektől, például kerti vegyszerektől, és jégmentesítő sótól.

V-1	Lombfúvó cső tároló gomb
V-2	Csőakasztó horony

Környezetvédelem



Ne dobja az elektromos felszerelést, az elhasznált akkumulátort és a töltőt a háztartási hulladékok közé!

Vigye hivatalos újrahasznosító telephelyre, és tegye hozzáférhetővé a szelektív gyűjtéshez. Az elektromos eszközöket megfelelő környezetbarát újrahasznosító üzembe kell vinni.

KARBANTARTÁS

▲ FIGYELMEZTETÉS: Szervizeléskor csak azonos cserealkatrészeket használjon. Bármilyen más alkatrész használata veszélyt okozhat, vagy megrongálhatja a terméket. A biztonságosság és megbízhatóság biztosítása érdekében minden javítást szakképzett szerviztechnikusnak kell elvégeznie.

▲ FIGYELMEZTETÉS: A súlyos személyi sérülések elkerülése érdekében mindig vegye ki az akkumulátort a termékből tisztítás és karbantartás alatt.

ÁLTALÁNOS KARBANTARTÁS

A műanyag alkatrészek tisztításához ne használjon oldószereket. A legtöbb műanyag különböző vegyi oldószerek hatására károsodik, ezek megrongálhatják őket. Használjon tiszta ruhát a szennyeződés, por, olaj, zsír, stb. eltávolításához.

▲ FIGYELMEZTETÉS: Fékolaj, üzemanyag, petróleum alapú termékek, beható olajak stb. soha ne érintkezzenek a műanyag alkatrészekkel. A vegyszerek megrongálhatják, gyengíthetik vagy megtámadhatják a műanyagot, ezáltal súlyos személyi sérülést okozhatnak.

TÁROLÁS

- Vegye ki az akkumulátort a fúvóból.
- Tisztítson meg minden idegen anyagot a lombfúvó levegőbemeneteiből.
- Illessze a lombfúvó cső tárológombját a csőakasztó horonyba, és akassza a lombfúvó csövet az akkumulátortartó burkolatára (V és W ábra).

HIBAELHÁRÍTÁS

PROBLÉMA	OK	MEGOLDÁS
A lombfűvő nem működik.	<ul style="list-style-type: none">■ Nincs elektromos kapcsolat a lombfűvő és az akkumulátorok között.■ Az akkumulátorok lemerültek.■ A lombfűvő vagy az akkumulátorok túl forróak.	<ul style="list-style-type: none">■ Vegye ki az akkumulátort, ellenőrizze a csatlakozásokat, és helyezze vissza az akkumulátort.■ Töltse fel az akkumulátorokat.■ Hűtse le az akkumulátorokat és a lombfűvőt 67°C alatti hőmérsékletre.
A levegő sebesség jelentősen csökken.	<ul style="list-style-type: none">■ A levegőbemenetet hulladék tömíti el.■ A motor ventilátor túlzott kopása.	<ul style="list-style-type: none">■ Vegye ki az akkumulátorokat, és távolítsa el a törmeléket.■ Forduljon az EGO szervizközponthoz a javításhoz.
LCD kijelző hiba.	<ul style="list-style-type: none">■ Az LCD egysége hibás, vagy az LCD egység kábelcsatlakozása rossz.	<ul style="list-style-type: none">■ Forduljon az EGO szervizközponthoz a javításhoz.

GARANCIA

EGO GARANCIÁLIS FELTÉTELEK

Kérjük, látogasson el az egopowerplus.com oldalra, ahol megtalálja a részletes EGO garanciális feltételeket.

HU

CITIȚI TOATE INSTRUCȚIUNILE!



CITIȚI MANUALUL DE INSTRUCȚIUNI

OBSERVAȚIE: Aceste instrucțiuni sunt disponibile și în format alternativ, de exemplu pe un website.

⚠ Riscuri reziduale! Persoanele cu dispozitive electronice precum stimulatoare cardiace ar trebui să se consulte cu medicul (medicii) înainte de a utiliza acest produs. Funcționarea echipamentelor electrice în imediata apropiere a unui stimulator cardiac ar putea provoca interferențe sau defecțiuni ale stimulatorului cardiac.

⚠ AVERTISMENT: Pentru siguranța și fiabilitatea produsului, toate reparațiile și înlocuirile de piese ar trebui efectuate de către un tehnician de service autorizat.

SIMBOLURI DE SIGURANȚĂ

Scopul simbolurilor privind siguranța este să vă atragă atenția asupra pericolelor posibile. Simbolurile privind siguranța și explicațiile furnizate cu acestea merită atenția și înțelegerea dumneavoastră. Avertizările simbolurilor nu elimină, prin ele însele, niciun pericol. Instrucțiunile și avertizările pe care le oferă acestea nu pot înlocui măsurile adecvate de prevenire a accidentelor.

⚠ AVERTISMENT: Asigurați-vă că ați citit și înțelegiți toate instrucțiunile privind siguranța din acest Manual de utilizare, inclusiv toate simbolurile de alertă privind siguranța precum **“PERICOL”**, **“AVERTIZARE”** și **“ATENȚIE”** înainte de a utiliza această sculă. Nerespectarea tuturor instrucțiunilor de mai jos poate duce la electrocutare, incendiu și/sau vătămări grave.

PREVENIREA AVARIILOR ȘI MESAJELE INFORMATIVE

Acestea informează utilizatorul asupra informațiilor importante și/sau instrucțiunilor care ar putea duce la avarierea echipamentului ori la alte pagube dacă nu sunt respectate. Fiecare mesaj este precedat de cuvântul **“OBSERVAȚIE”**, precum în exemplul de mai jos:

RO

OBSERVAȚIE: Echipament și/sau pagube materiale pot rezulta dacă aceste instrucțiuni nu sunt respectate.



⚠ AVERTISMENT: Exploatarea oricăror scule electrice se poate solda cu ricoșarea de obiecte străine în ochii dumneavoastră, ceea ce se poate solda cu vătămarea gravă a ochilor. Înainte de a începe să utilizați scula electrică, echipați-vă întotdeauna cu ochelari de protecție cu apărători laterale și vizieră pentru față, atunci când este nevoie. Vă recomandăm să purtați o vizieră lată de protecție peste ochelarii de vedere sau ochelari de protecție standard cu apărători laterale.

INSTRUCȚIUNI PRIVIND SIGURANȚA

Această pagină descrie simbolurile de siguranță ce pot apărea pe acest produs. Citiți, înțelegeți și respectați toate instrucțiunile de pe mașină înainte de asamblare și utilizare.



Alertă privind siguranța



Purtați întotdeauna echipament de protecție auditivă când utilizați acest produs.



Țineți toți trecătorii la o distanță de cel puțin 15 m.

**UK
CA**

Acest produs este în conformitate cu legislația aplicabilă din Marea Britanie.

V Volt

Hz Hertz

min Minute

km/h Kilometri pe oră

n_0 Turație de mers în gol

IPX5 Protecție împotriva jeturilor de apă



Purtați întotdeauna ochelari de protecție sau ochelari de protecție cu apărători laterale și o vizieră facială completă când utilizați acest produs.



Pentru a reduce riscul de vătămare, utilizatorul trebuie să citească și să înțeleagă manualul de instrucțiuni înainte de a utiliza acest produs.



Acest produs este în conformitate cu directivele europene aplicabile.



Deșeurile produselor electrice nu trebuie să fie eliminate împreună cu deșeurile menajere. Predați-le unui punct de reciclare autorizat.

A Amperi

W Watt

m^3/h Metru cub pe oră

 Curent continuu

... /min Pe minut

RO

SPECIFICAȚII

Tensiune	56 V
Volumul maxim de aer	1360 m ³ /h
Viteză maximă aer	85 m/s
Forța maximă a suflantei	26 N
Temperatură de funcționare recomandată	-15°C-40°C
Temperatură de depozitare recomandată	-20°C-70°C
Greutatea suflantei (Fără baterie cu tub)	7,4 kg
Nivel de putere sonoră măsurată L _{WA}	97 dB(A) K=1,2 dB(A)
Nivel de presiune sonoră la urechea operatorului L _{PA}	86.2 dB(A) K=2,5 dB(A)
Nivel de putere acustică garantat L _{WA} (conform 2000/14/CE)	98 dB(A)
Vibrații a _n	0,4 m/s ² K=1,5 m/s ²

- Valoarea totală declarată a vibrațiilor a fost măsurată în conformitate cu o metodă standard de testare și poate fi utilizată pentru compararea sculelor între ele;
- Valoarea totală declarată poate fi utilizată în evaluarea preliminară a expunerii.

OBSERVAȚIE: Vibrațiile emise în timpul utilizării efective a sculei electrice pot diferi față de valoarea celor declarate pentru scula utilizată; Pentru protejerea operatorului, utilizatorul trebuie să poarte mănuși și protecții auditive în timpul utilizării efective a produsului.

LISTA COMPONENTELOR (FIG. A1)

DESCRIEREA

DESCRIEREA SUFLANTEI (Fig. A1 & A2)

1. Mâner
2. Buton de eliberare a acumulatorului
3. Zăvor
4. Contacte electrice
5. Mâner de susținere
6. Admisie de aer
7. Burduf
8. Mâner de control Tub

9. Tub suflantă
10. Mâner de control
11. Suport de spate
12. Buton de stocare tuburi suflantă
13. Ham ajustabil de suport
14. Duză conică
15. Butonul de control al vitezei de croazieră
16. Ecran LCD
17. Buton turbo
18. Trăgaci declanșator
19. Canelură de suspendare tub
20. Manetă de eliberare rapidă
21. Indicator de combustibil
22. Pictograma ventilator
23. Indicator turbo
24. Indicator de viteză a aerului
25. Pictograma controlului vitezei de croazieră
26. Pictogramă baterie

⚠️ AVERTISMENT: Pentru a utiliza în siguranță acest produs este nevoie să înțelegeți informațiile de pe sculă și din acest manual de instrucțiuni precum și să dobândiți cunoștințe suficiente asupra lucrării pe care doriți să o executați. Înainte de a utiliza aparatul, familiarizați-vă cu toate caracteristicile de utilizare și cerințele privind siguranța.

RO

ASAMBLARE

⚠️ AVERTISMENT: Dacă unele piese sunt deteriorate sau lipsesc, nu utilizați acest produs până la înlocuirea pieselor. Utilizarea acestui produs cu piese deteriorate sau lipsă s-ar putea solda cu vătămări grave.

⚠️ AVERTISMENT: Nu încercați să modificați acest produs sau să creați accesorii nerecomandate pentru această suflantă. Orice astfel de modificare sau schimbare reprezintă o utilizare necorespunzătoare și se poate solda cu condiții periculoase care pot conduce la posibile vătămări grave.

⚠️ AVERTISMENT: Pentru a preveni pornirea accidentală care ar putea cauza vătămări personale grave, întotdeauna scoateți setul de acumulatori din sculă când asamblați componente.

ASAMBLAREA TUBURILOR SUFLANTEI

Conectarea ansamblului tubului mânerului de control la burduf (Fig. C)

1. Introduceți capătul superior al tubului mânerului de control în burduf până la capăt.
2. Strângeți complet șurubul în gulerul de prindere de pe burduf.

C-1	Manșon de prindere
C-2	Șurub

Conectarea tubului suflantei la tubul mânerului de control (Fig. D)

1. Slăbiți și scoateți maneta de eliberare rapidă și piulița fluture din ansamblul clemei tubului fixat pe tubul suflantei.

D-1	Clema tubului
D-2	Piuliță fluture

2. Aliniați canelura din tubul suflantei cu nervura de pe tubul mânerului de control, glisați tubul suflantei peste tubul mânerului de control până la capăt.
3. Introduceți știftul manetei de eliberare rapidă și închideți maneta pe clema tubului.
4. Strângeți piulița fluture pentru a fixa clema tubului în poziție.

Conectarea duzei conice la tubul suflantei (Fig. E, F)

1. Aliniați canelura din duză cu încuietoarea de pe tub. Împingeți duza peste tub până când se fixează în siguranță.
2. Pentru a scoate duza, apăsați și mențineți apăsat butonul de detașare al duzei pentru a dezactiva încuietoarea, după care trageți duza direct de pe suflantă.

E-1	Buton de eliberare a duzei
E-2	Zăvor

FUNCȚIONARE

⚠️ AVERTISMENT: Nu permiteți ca familiarizarea cu acest produs să vă determine să fiți neatent. Amintiți-vă că o fracțiune de secundă de neatenție este suficientă pentru a provoca vătămări grave.

⚠️ AVERTISMENT: Nu utilizați nicio componentă sau accesoriu care nu a fost recomandat de producătorul acestui produs. Utilizarea de accesorii nerecomandate se poate solda cu vătămări grave.

⚠️ AVERTISMENT: Întotdeauna scoateți setul de acumulatori din produs înainte de a asambla componente, efectua reglaje, curăța sau când produsul nu este utilizat. Îndepărtarea setului de acumulatori va preveni pornirea accidentală care poate cauza răni personale grave.

Înainte de fiecare utilizări, inspectați întregul produs pentru depistarea defectelor, componentelor lipsă sau slăbite precum șuruburi, piulițe, bolțuri, capace etc. Strângeți bine toate elementele de prindere și capacele și nu utilizați acest produs dacă piesele lipsă sau defecte nu sunt înlocuite.

⚠️ AVERTISMENT: Dacă întâmpinați o situație de urgență, separați catarama toracică drept pentru a scoate suflanta.

APLICARE

Puteți utiliza acest produs în scopurile menționate mai jos:

- Curățarea suprafețelor dure precum căi de acces și alei.
- Îndepărtarea frunzelor și a acelor de pin de pe terase și căi de acces.

OBSERVAȚIE: Scula trebuie utilizată numai în scopul pentru care a fost proiectată. Orice altă utilizare este considerată a fi caz de utilizare necorespunzătoare.

INSTALAREA/SCOATEREA BATERIILOR

ÎNCĂRCAȚI ACUMULATORUL ÎNAINTE DE PRIMA UTILIZARE.

Utilizați numai cu baterii și încărcătoare enumerate fig. B.

OBSERVAȚIE: Pentru cele mai bune performanțe, vă recomandăm utilizarea oricărei baterii EGO 56V cu o capacitate mai mare de 5,0 Ah.

Suflanta are două compartimente active pentru baterii pe partea stângă și dreaptă a carcasei compartimentului bateriei.

NOTĂ: Suflanta poate funcționa cu una sau două baterii. Utilizarea a două baterii vă oferă un timp de funcționare mai lung și o extragere eficientă a puterii gestionate de tehnologia PEAK POWER™.

Dacă o baterie a fost introdusă în compartimentul pentru baterii marcat cu 1 sau 2 pe suportul de spate, pictograma corespunzătoare a bateriei se aprinde pe ecranul LCD (Fig. G) după ce porniți suflanta.

G-1	Marcajul poziției compartimentului bateriei
-----	---

■ Pentru instalarea (Fig. H)

Aliniați nervurile de pe acumulator cu fantele de instalare și apăsați în jos bateria până la auzul unui clic. Repetați procesul pentru a instala a doua baterie.

■ Pentru scoatere (Fig. I)

Apăsați butoanele de eliberare a bateriei și scoateți bateriile.

⚠️ AVERTISMENT: Întotdeauna acordați atenție amplasamentului picioarelor dumneavoastră, a copiilor sau animalelor de companie când apăsați butonul de detașare al acumulatorului. În cazul căderii bateriei, pot rezulta răni grave. NICIODATĂ nu scoateți bateria atunci când vă aflați într-o locație înaltă.

POZIȚIONAREA SUFLANTEI CU SUPTOR DE SPATE

⚠️ AVERTISMENT: Îmbrăcați-vă corespunzător pentru a reduce riscul de vătămare când utilizați această sculă. Nu purtați haine largi sau bijuterii. Purtați echipament de protecție oculară și auditivă. Purtați pantaloni lungi rezistenți, cizme și mănuși. Nu purtați pantaloni scurți, sandale și nu să stați desculți(ă).

Pentru ajustarea hamului de suport

1. Introduceți-vă brațele prin curelele de umeri pentru a vă instala suflanta pe spate.
2. Reglați ambele curele de umăr până când vă simțiți confortabil cu suflanta de pe spate (Fig. J).
3. Prindeți catarama de piept și reglați-i lungimea dacă este nevoie (Fig. K).
4. Prindeți catarama de talie și ajustați-i lungimea astfel încât suportul de spate să fie sprijinit în siguranță de șoldurile dumneavoastră (Fig. L & M).
5. Reglați chingile de umăr pentru siguranță și confort. Asigurați-vă că suportul de spate este poziționat în siguranță pe spatele dumneavoastră, cu greutatea sprijinită de cureaua de talie, și fără a mișca în exces când vă deplasați (Fig. N).
6. Introduceți excesul de curea din jurul taliei în elasticul din ambele părți (Fig. O).
7. Pentru a detașa scula de pe spatele dumneavoastră, este suficient să apăsați catarama din dreptul taliei și cea de pe piept pentru a le elibera (Fig. P).

Pentru a regla mânerul de control

1. Eliberați maneta de eliberare rapidă pentru a deplasa mânerul de comandă înainte sau înapoi, după cum este necesar (Fig. Q & R) și apoi cuplați maneta de

eliberare rapidă pentru a fixa mânerul în poziție.

2. Pentru confort, puteți de asemenea să rotiți mânerul (Fig. S).

Pentru a regla lungimea tubului mânerului de control (Fig. T1, T2)

1. Eliberați maneta de eliberare rapidă pentru a deplasa tubul suflantei într-o poziție confortabilă de funcționare.
2. Cuplați maneta de eliberare rapidă pentru a fixa tubul suflantei în poziție.

PORNIREA/OPRIREA SUFLANTEI

Comutator de declanșare (Fig. U1, U2)

- Apăsați comutatorul de declanșare pentru a porni suflanta. Ecranul LCD afișează indicatorul de combustibil, pictograma bateriei, indicatorul de viteză a aerului.
- Viteza aerului suflantei este controlată cu comutatorul de declanșare. Cu cât comutatorul de declanșare este mai apăsat, cu atât mai mult aer iese din duză. Reglați viteza pentru a se potrivi sarcinii de îndeplinit. Pictograma corespunzătoare vitezei aerului se afișează pe ecranul LCD.
- Eliberați declanșatorul pentru a opri suflanta. După 6 secunde, ecranul LCD se oprește.

Modul Turbo

Cu declanșatorul apăsat și ținut, apăsați butonul turbo pentru a maximiza fluxul de aer (Fig. U1). Indicatorul turbo și pictograma ventilatorului se aprind pe ecranul LCD (Fig. U3).

NOTĂ: Suflanta revine la viteza anterioară când butonul turbo este eliberat.

Modul de control al vitezei de croazieră

Modul de control al vitezei de croazieră oferă operațiuni fără comutator de declanșare.

Pentru a activa modul de control al vitezei de croazieră:

1. Apăsați și mențineți apăsat comutatorul de declanșare la viteza dorită (Fig. U1).
2. Apăsați butonul de control al vitezei de croazieră. Eliberați butonul după ce pictograma regulatorului de croazieră apare pe ecranul LCD (Fig. U4).
3. Eliberați comutatorul de declanșare, suflanta continuă să funcționeze.

RO

Apăsați butonul turbo în modul de control al vitezei de croazieră poate crește temporar viteza aerului la nivelul maxim. Suflanta reia viteza anterioară când butonul turbo este eliberat.

Pentru a dezactiva modul de control al vitezei de croazieră:

Apăsați din nou butonul de control al vitezei de croazieră pentru a dezactiva modul de control al vitezei de croazieră. Pictograma controlului vitezei de croazieră de pe ecranul LCD dispare.

Sfaturi Pentru Utilizarea Suflantei

- Utilizați greble și mătură pentru a detașa resturile înainte de a le sufla. În condiții cu praf, umeziți ușor suprafețele dacă dispuneți de apă.
- Atenție la copii, animale, ferestre deschise sau mașini proaspăt spălate și suflați resturile în siguranță.
- După utilizarea suflantelor sau a altor echipamente, curățați!

ÎNȚREȚINEREA

⚠ AVERTISMENT: La depanare, utilizați numai piese de schimb identice. Utilizarea oricăror altor piese poate crea un pericol sau poate produce o deteriorare. Pentru siguranța și fiabilitatea produsului, toate reparațiile trebuie efectuate de către un tehnician de service autorizat.

⚠ AVERTISMENT: Pentru evitarea vătămarilor personale grave, îndepărtați întotdeauna bateria din sculă când curățați sau efectuați orice operație de întreținere.

ÎNȚREȚINERE GENERALĂ

Evitați utilizarea solvenților când curățați piese din plastic. Majoritatea pieselor din plastic sunt susceptibile să se deterioreze de la diverse tipuri de solvenți comerciali și se pot defecta prin utilizarea acestora. Utilizați lavete curate pentru a îndepărta murdăria, praful, uleiul, vaselina etc.

⚠ AVERTISMENT: Nu permiteți niciodată lichidelor de frână, benzinei, produselor petroliere, uleiurilor penetrante etc. să intre în contact cu piese din plastic. Substanțele chimice pot deteriora, pot fragiliza sau pot distruge plasticul, ceea ce se poate solda cu vătămări grave.

DEPOZITARE

- Detașați bateria din suflantă.
- Îndepărtați toate materialele străine din prizele de aer ale suflantei.

- Aliniați butonul de depozitare ale tuburilor suflantei cu canelura de suspendare a tuburilor și prindeți tubul suflantei de carcasa compartimentului acumulatorului (Fig. V & W).
- Depozitați produsul într-un loc inaccesibil copiilor. Țineți-l la distanță de agenți corozivi, precum substanțele chimice de grădină și sărurile de dezghețare.

V-1	Buton de stocare tuburi suflantă
V-2	Canelură de suspendare tub

Protejarea mediului înconjurător



Nu eliminați echipamentul electric, acumulatorul epuizat și încărcătorul de acumulator împreună cu deșeurile menajere!

Predați acest produs unui punct de reciclare autorizat sau puneți-l la dispoziția colectării separate. Sculele electrice trebuie returnate unui centru de reciclare ecologic.

RO

DEPANAREA

PROBLEMĂ	CAUZĂ	SOLUȚIE
Suflanta nu funcționează.	<ul style="list-style-type: none">Nu există contact electric între suflantă și baterie.Bateriile sunt epuizate.Bateriile sau suflanta sunt prea calde.	<ul style="list-style-type: none">Îndepărtați acumulatorul, verificați contactele și reinstalați bateria.Încărcați bateriile.Răciți bateria și suflanta până când temperatura scade sub 67°C.
Viteza aerului scade semnificativ.	<ul style="list-style-type: none">Admisia de aer este blocată cu resturi.Uzare excesivă a ventilatorului motorului.	<ul style="list-style-type: none">Scoateți bateriile, ștergeți resturile.Contactați centrul de service EGO pentru reparații.
Eroare ecran LCD.	<ul style="list-style-type: none">Ansamblul LCD este întrerupt sau conexiunea de cablu defectă a ansamblului LCD.	<ul style="list-style-type: none">Contactați centrul de service EGO pentru reparații.

GARANȚIE

POLITICA PRIVIND GARANȚIA EGO

Vă rugăm să consultați site-ul egopowerplus.com pentru termenii și condițiile complete ale politicii privind garanția EGO.

RO

PREBERITE VSA NAVODILA!



PREBERITE UPORABNIŠKI PRIROČNIK.

OPOMBA: Ta navodila bodo na voljo tudi v drugi obliki, na primer na spletnem mestu.

⚠ Tveganje zaradi preostalega toka! Pred uporabo izdelka se morajo osebe z elektronskimi napravami, kot je srčni spodbujevalnik, posvetovati s svojim zdravnikom. Delovanje električne opreme v bližini srčnega spodbujevalnika lahko povzroči motnje ali okvaro srčnega spodbujevalnika.

⚠ OPOZORILO: Za zagotovitev varnosti in zanesljivosti mora vsa popravila in zamenjave izvesti usposobljen servisni tehnik.

VARNOSTNI SIMBOLI

Namen varnostnih simbolov je, da vas opozorijo na morebitne nevarnosti. Bodite pozorni na varnostne simbole in njihova pojasnila ter jih poskušajte razumeti. Opozorilni simboli sami ne odpravljajo nobene nevarnosti. Navodila in opozorila niso nadomestilo za ustrezne ukrepe za preprečevanje nesreč.

⚠ OPOZORILO: Pred uporabo tega orodja preberite in razumite vsa varnostna navodila v tem priročniku, vključno z vsemi varnostnimi opozorilnimi simboli, kot so »**NEVARNOST**«, »**OPOZORILO**« in »**POZOR**«. Zaradi neupoštevanja spodaj navedenih navodil lahko pride do električnega udara, požara in/ali resnih telesnih poškodb.

SPOROČILA ZA PREPREČEVANJE POŠKODB IN SPOROČILA Z INFORMACIJAMI

Ta uporabnika informirajo o pomembnih informacijah in/ali navodilih, ki bi lahko privedla do škode na opremi ali drugi lastnini, če jih ne bi upoštevali. Pred vsakim sporočilom se prikaže beseda »**OBVESTILO**«, kot je prikazano v spodnjem primeru.

OPOMBA: Če teh navodil ne boste upoštevali, lahko pride do poškodb opreme in/ali druge lastnine.

SL

⚠ OPOZORILO: Delovanje katerega koli električnega orodja lahko povzroči metanje tujkov v vaše oči, kar lahko povzroči resne poškodbe očesa. Pred začetkom dela z električnim orodjem vedno nosite zaščitna očala ali varnostna očala s stranskimi zaščitami in po potrebi tudi ščit za celoten obraz. Priporočamo vam uporabo varnostne maske Wide Vision Safety Mask za uporabo preko očal ali standardnih varnostnih očal s stransko zaščito.

VARNOSTNA NAVODILA

Na tej strani so prikazani in opisani varnostni simboli, ki se lahko pojavijo na tem izdelku. Preberite, osvojite in sledite navodilom na stroju, preden ga boste poskušali sestaviti in upravljati.



Varnostno opozorilo



Pri upravljanju tega izdelka vedno nosite zaščitna očala ali varnostna očala s stransko zaščito in ščitnik za obraz.



Pri delu s tem izdelkom vedno nosite zaščito za ušesa.



Za zmanjšanje nevarnosti poškodb je pomembno, da uporabnik pred uporabo tega izdelke prebere priročnik z navodili za uporabo.



Vsi opazovalci naj bodo oddaljeni najmanj 15 m.



Ta izdelek je skladen z veljavnimi direktivami ES.



Ta izdelek je skladen z veljavno zakonodajo VB.



Odpadnih električnih izdelkov ne odlagajte med gospodinjske odpadke. Odnosite jih v pooblaščen obrat za recikliranje.

V Volt

A Amperi

Hz Hertz

W Watt

min Minute

m³/h Kubični meter na uro

km/h Kilometri na uro

Enosmerni tok


n₀ Hitrost brez obremenitve

... /min Na minuto

IPX5 Zaščita pred vodnimi curki

SL

TEHNIČNI PODATKI

Napetost	56 V 
Maksimalna prostornina zraka	1360 m ³ /h
Največja hitrost zraka	85 m/s
Maksimalna moč pihanja	26 N
Priporočena obratovalna temperatura	Od -15°C do 40°C
Priporočena temperatura za shranjevanje	Od -20°C do 70°C
Teža puhalnika (brez akumulatorja, s cevjo)	7,4 kg
Izmerjena raven zvočne moči L _{WA}	97 dB(A) K=1,2 dB(A)
Raven zvočnega tlaka v ušesu upravljavca L _{PA}	86,2 dB(A) K = 2,5 dB(A)
Zajamčena raven zvočnega tlaka L _{WA} (v skladu z direktivo 2000/14/ES)	98 dB(A)
Vibration a _n	0,4 m/s ² K=1,5 m/s ²

- Nazivna skupna vrednost tresljajev je bila izmerjena v skladu s standardno preskusno metodo in jo je mogoče uporabiti za primerjavo enega orodja z drugim.
- Nazivno skupno vrednost tresljajev je mogoče uporabiti tudi za predhodno oceno izpostavljenosti.

SL

OPOMBA: Oddajanje tresljajev med dejansko uporabo električnega orodja se lahko razlikuje od nazivne vrednosti, v kateri se uporablja orodje. Upravljavec se lahko zaščiti tako, da uporablja rokavice in naušnike, primerne dejanskim pogojem uporabe.

VSEBINA PAKETA (SLIKA A1)

OPIS

SPNOZNAJTE SVOJ PUHALNIK (slika A1 in A2)

1. Ročaj
2. Gumb za sprostitve baterije
3. Zapah
4. Električni kontakti
5. Ročaj za prijem
6. Dovod zraka

7. Mehi
8. Cev nadzornega ročaja
9. Cev puhalnika
10. Nadzorni ročaj
11. Plošča nahrbtnega dela
12. Gumb za shranjevanje cevi puhalnika
13. Nastavljiv podporni pas
14. Stožčasta šoba
15. Gumb za nadzor hitrosti
16. Zaslon LCD
17. Gumb Turbo
18. Sprožilec stikala
19. Utor za namestitev cevi
20. Ročica za hitro sprostitve
21. Merilnik stanja goriva
22. Ikona ventilatorja
23. Indikator Turbo
24. Indikator hitrosti zraka
25. Ikona tempomata
26. Ikona akumulatorja

⚠ OPOZORILO: Varna uporaba tega izdelka zahteva razumevanje informacij na orodju in v teh navodilih za uporabo, prav tako tudi znanje o projektu, ki ga boste izvedli. Pred uporabo tega izdelka se seznanite z vsemi funkcijami delovanja in varnostnimi pravili.

SESTAVLJANJE

⚠ OPOZORILO: Če so deli poškodovani ali manjkajo, orodja ne uporabljajte, dokler ne zamenjate delov. Če ta izdelek uporabljate s poškodovanimi ali manjkajočimi deli, lahko pride do hudih telesnih poškodb.

⚠ OPOZORILO: Tega izdelka ne poskušajte spreminjati in ne poskušajte izdelovati dodatkov, ki niso primerni za uporabo s tem puhalnikom. Vsako tako spreminjanje ali predelava se šteje za napačno uporabo in povzroči tveganja, ki lahko povzročijo hude telesne poškodbe.

⚠ OPOZORILO: Pri nameščanju delov vedno odstranite bateriji, da preprečite nenamerni zagon, ki bi lahko povzročil resno telesno poškodbo.

NAMEŠČANJE CEVI PUHALNIKA

Priključitev sklopa cevi nadzornega ročaja na vreče (slika C)

- Zgornji konec cevi nadzornega ročaja vstavite v vreče do konca.
- Popolnoma privijte vijak v vpenjalni manšeti na vreči.

C-1	Vpenjalna manšeta
C-2	Vijak

Priključitev cevi puhalna na cev nadzornega ročaja (slika D)

- Odvijte in odstranite ročico za hitro sprostitvev in krilno matico z vpenjalnega sklopa cevi na cevi puhalnika.

D-1	Cevna objemka
D-2	Krilna matica

- Utor v cevi puhalnika poravnajte z rebrom na cevi nadzornega ročaja in cev puhalnika potisnite prek cevi nadzornega ročaja do konca.
- Vstavite zatič ročice za hitro sprostitvev ter tako ročico zapahnite na cevno objemko.
- Privijte krilno matico, da pritrdite cevno objemko na mesto.

Priključitev stožčaste šobe na cev puhalnika (sliki E, F).

- Utor v šobi poravnajte z zatičem na cevi. Šobo potisnite prek cevi, dokler se ne zaskoči na svoje mesto.
- Šobo odstranite tako, da pritisnete in pridržite gumb za sprostitvev šobe, da sprostite zaklep, ter nato šobo povlečete naravnost s cevi puhalnika.

E-1	Gumb za sprostitvev šobe
E-2	Zapah

UPRAVLJANJE

⚠ OPOZORILO: Tudi če se dodobra seznanite s tem izdelkom, bodite pri ravnanju z njim pazljivi. Upoštevajte, da je samo delček sekunde nepazljivosti dovolj, da pride do hude telesne poškodbe.

⚠ OPOZORILO: Ne uporabljajte priključkov ali dodatkov, ki jih proizvajalec tega izdelka ne priporoča. Uporaba priključkov ali dodatkov, ki niso priporočeni, lahko povzroči hude telesne poškodbe.

⚠ OPOZORILO: Pri nameščanju delov, opravljanju prilagoditev, čiščenju ali kadar izdelek ni v uporabi vedno odstranite bateriji. Odstranitev baterij bo preprečila nenamerni zagon, ki bi lahko povzročil resno telesno poškodbo.

Pred vsako uporabo celoten izdelek pregledajte za poškodovane, manjkajoče ali zrahljanje dele, kot so vijaki, matice, pokrovi itd. Vsa zapirala in pokrove trdno privijte in izdelka ne uporabljajte, dokler ne zamenjate manjkajočih ali poškodovanih delov.

⚠ OPOZORILO: Če se znajdete v nevarnosti, odklopite prsno zaponko naravnost stran, da lahko puhalnik snamete.

UPORABA

Ta izdelek lahko uporabljate za naslednje namene:

- Čiščenje trdnih površin, kot so dovozi in sprehajalne poti.
- Ohranjanje sprehajališč in poti brez listja in iglic.

OPOMBA: Orodje lahko uporabljate samo za predvideni namen. Kakršna koli druga uporaba se smatra za nepravilno uporabo.

NAMEŠČANJE/ODSTRANJEVANJE BATERIJ

NAPOLNITE PRED PRVO UPORABO.

Uporabljajte samo z baterijami in polnilniki, navedenimi na seznamu slike B.

OPOMBA: Za najboljšo zmogljivost priporočamo uporabo katere koli baterije EGO 56 V z zmogljivostjo, večjo od 5,0 Ah.

Puhalnik ima dva aktivna prostora za bateriji na levi in desni strani v ohišju za bateriji.

OPOMBA: Puhalnik lahko deluje z eno ali dvema baterijama. Uporaba dveh baterij omogoča daljši čas delovanja in učinkovito porabo energije, ki jo omogoča tehnologija PEAK POWER™.

Če je baterija vstavljena v prostor za bateriji, označen z 1 ali 2 na plošči nahrbtnika, po vklopu puhalnika na LCD-zaslону (slika G) zasveti ustrezna ikona baterije.

G-1	Ikona zasedenega prostora za baterijo
-----	---------------------------------------

- Namestitev (slika H)**

Rebra baterije poravnajte z režami za namestitev in baterijo pritisnite navzdol tako, da zaslišite klik. Ponovite postopek za namestitev druge baterije.

■ Odstranjevanje (slika I)

Pritisnite gumba za sprostitev baterij in ju izvlecite.

⚠ OPOZORILO: Ko pritisnete gumb za sprostitev baterij, bodite vedno pozorni na svoje noge, otroke ali hišne ljubljence. Če vam baterijski sklop pade na tla, lahko pride do hudih poškodb. NIKOLI ne odstranjujte baterije, če ste na visokem mestu.

NAMEŠČANJE PUHALNIKA Z NAHRBTNIKOM

⚠ OPOZORILO: za upravljanje tega orodja se primerno oblecite, da zmanjšate nevarnost poškodb. Ne nosite ohlapnih oblačil ali nakita. Uporabljajte zaščito za oči in ušesa. Nosite robustne dolge hlače, škornje in rokavice. Ne nosite kratkih hlač, sandal in ne bodite bosi.

Nastavitev podpornega pasu

1. Roke potisnite skozi naramnice nahrbtnika, da puhalnik podprete s hrbtom.
2. Nastavite oba ramenska trakova tako, da se s puhalnikom na hrbtu počutite udobno (slika J).
3. Zaprite zaponko na prsih in po potrebi prilagodite njeno dolžino (slika K).
4. Zaprite zaponko na pasu ter nastavite njeno dolžino tako, da bodo vaši boki varno podpirali nahrbtnik (sliki L in M).
5. Za varnost in udobje ponovno nastavite naramnice. Prepričajte se, da je nahrbtnik varno nameščen na vašem hrbtu, pri čemer težo podpira pas, ter brez odvečnega gibanja med vašim premikanjem (slika N).
6. Odvečno dolžino pasu okrog pasu vstavite v elastiko na obeh straneh (slika O).
7. Da orodje odstranite s hrbta, enostavno pritisnite na zaponki v pasu in na prsih, da ju sprostite (slika P).

Prilaganje nadzornega ročaja

1. Sprostite ročico za hitro sprostitev in premaknite krmilni ročaj naprej ali nazaj po potrebi (sliki Q in R), nato pa zaskočite ročico za hitro sprostitev, da se ročaj pritrdi na mesto.
2. Za večje udobje lahko ročaj po potrebi tudi zavrtite (slika S).

Nastavitev dolžine cevi nadzornega ročaja (sliki T1, T2)

1. Sprostite ročico za hitro sprostitev in premaknite cev puhalnika v udoben delovni položaj.
2. Z ročico za hitro sprostitev pritrdite cev puhalnika na mesto.

ZAGON/ZAUSTAVITEV PUHALNIKA

Stikalo za vklop/izklop (sliki U1, U2)

- Pritisnite stikalo za vklop/izklop, da vklopite puhalnik. Na zaslonu LCD so prikazani merilnik goriva, ikona baterije in indikator hitrosti zraka.
- Hitrost puhalnika se upravlja s stikalom za vklop/izklop. Bolj ko je stikalo pritisnjeno naprej, več zraka priteče iz šobe. Prilagodite hitrost trenutnemu opravilu. Na zaslonu LCD se prikaže ustrezna ikona hitrosti zraka.
- Spustite stikalo, da puhalnik izklopite. Po 6 sekundah se LCD zaslon izklopi.

Način Turbo

Stikalo pritisnite in pridržite, nato pa pritisnite še gumb turbo, da povečate pretok zraka (slika U1). Na LCD-zaslonu zasveti indikator turbo in ikona ventilatorja (slika U3).

OPOMBA: Puhalnik se vrne na prejšnjo hitrost, ko gumb turbo sprostite.

Model s tempomatom

Način tempomata omogoča delovanje brez stikala za vklop/izklop.

Vklop načina tempomata:

1. Pritisnite in pridržite stikalo za vklop/izklop pri zeleni hitrosti (slika U1).
2. Pritisnite gumb za tempomat. Ko se na zaslonu LCD prikaže ikona tempomata, gumb spustite (slika U4).
3. Ko stikalo za vklop spustite, ventilator deluje naprej.

S pritiskom na gumb turbo v načinu tempomata lahko začasno povečate hitrost zraka na najvišjo raven. Ko sprostite gumb turbo, ventilator nadaljuje s prejšnjo hitrostjo.

Za preklp iz načina tempomata v normalni način:

Ponovno pritisnite gumb za tempomat, da izklopite način tempomata. Ikona tempomata na zaslonu LCD ugasne.

Nasveti za uporabo puhalnika

- Pred uporabo puhalnika z grabljami zrahljajte sprijeti material. V prašnih pogojih površine rahlo navlažite, če je voda na voljo.
- Pazite na otroke, domače živali, odprta okna ali sveže oprana vozila in odpadke varno odpihujte stran.
- Po uporabi puhalnikov ali druge opreme počistite.

VZDRŽEVANJE

⚠ OPOZORILO: Za popravila uporabljajte samo identične nadomestne dele. Uporaba drugih delov je tvegana in lahko poškoduje izdelek. Za zagotovitev varnosti in zanesljivosti mora vsa popravila izvesti usposobljen servisni tehnik.

⚠ OPOZORILO: Pri čiščenju ali vzdrževanju vedno odstranite baterijo iz orodja, da preprečite hude telesne poškodbe.

SPLOŠNO VZDRŽEVANJE

Pri čiščenju plastičnih delov ne uporabljajte topil. Večina vrst plastike se lahko pri uporabi različnih komercialnih topil poškoduje. Umazanijo, prah, olje, maščobe itd. odstranite s čisto krpo.

⚠ OPOZORILO: Zavorna tekočina, gorivo, izdelki na bazi nafte, prodirajoče olje ipd. naj nikoli ne pridejo v stik s plastičnimi deli. Kemikalije lahko poškodujejo, oslabijo ali uničijo plastiko, kar lahko povzroči hude telesne poškodbe.

SKLADIŠČENJE

- Iz puhalnika odstranite baterijo.
- Iz vseh dovodov zraka puhalnika očistite vse tujke.
- Gumb za shranjevanje cevi puhalnika poravnajte z zarezo za namestitvev cevi ter cev puhalnika obesite na ohišje predala za bateriji (sliki V in W).
- Napravo skladiščite v notranjem prostoru, ki je nedostopen otrokom. Ne shranjujte je v bližini korozivnih sredstev, kot so vrtno kemikalije in soli za taljenje ledu.

V-1	Gumb za shranjevanje cevi puhalnika
V-2	Zareza za namestitvev cevi

Varovanje okolja



Električne opreme, rabljene baterije in polnilnika ne odvrzite med gospodinjnske odpadke.

Izdelek odnesite na pooblaščen obrat za recikliranje in ga zavrzite ločeno.

Električna orodja je treba odnesti na obrat za recikliranje in ga reciklirati na okolju prijazen način.

SL

ODPRAVLJANJE TEŽAV

TEŽAVA	VZROK	REŠITEV
Puhalnik ne deluje.	<ul style="list-style-type: none">Med puhalnikom in baterijo ni električnega stika.Bateriji sta izpraznjeni.Bateriji ali puhalnik so prevročni.	<ul style="list-style-type: none">Odstranite baterijo, preverite kontakte in baterijo znova vstavite.Napolnite bateriji.Bateriji in puhalnik ohladite do temperature, ki je nižja od 67°C.
Hitrost zraka se znatno zmanjša.	<ul style="list-style-type: none">Dovod zraka je zamašen z delci.Prevelika obraba ventilatorja motorja.	<ul style="list-style-type: none">Odstranite bateriji in počistite nečistoče.Za popravilo stopite v stik servisnim centrom EGO.
Napaka zaslona LCD.	<ul style="list-style-type: none">Sklop LCD je poškodovan ali pa ima sklop zaslona LCD slabo kabelsko povezavo.	<ul style="list-style-type: none">Za popravilo stopite v stik servisnim centrom EGO.

GARANCIJA

GARANCIJSKA POLITIKA DRUŽBE EGO

Za popolne pogoje garancijske politike družbe EGO obiščite spletno mesto egopowerplus.com.

SL

PERSKAITYKITE VISĄ INSTRUKCIJĄ!



PERSKAITYKITE NAUDOTOJO INSTRUKCIJĄ

PASTABA: Šią instrukciją galite rasti ir kitu formatu, pvz., interneto svetainėje.

⚠ Liekamasis pavojus! Žmonėms, kuriems implantuoti elektroniniai prietaisai, pvz., širdies stimulatoriai, prieš pradėdami naudoti šį gaminį, reikia pasitarti su savo gydytoju (-ais). Arti širdies stimulatoriaus veikianti elektros įranga gali trikdyti širdies stimulatoriaus veikimą arba jį sugadinti.

⚠ ĮSPĖJIMAS: Norint užtikrinti saugų ir patikimą gaminio naudojimą, visus remonto ir keitimo darbus turi atlikti kvalifikuotas techninės priežiūros specialistas.

SAUGOS SIMBOLIAI

Saugos simbolių paskirtis – atkreipti dėmesį į galimus pavojus. Gerai susipažinkite su saugos simboliais bei jų paaiškinimais ir juos įsidėmėkite. Simbolių įspėjimai patys savaime negali apsaugoti nuo pavojų. Jais žymimi nurodymai ir įspėjimai neatstoja tinkamų nelaimingų atsitikimų prevencijos priemonių.

⚠ ĮSPĖJIMAS: Prieš pradėdami naudoti šį įrenginį, perskaitykite visus šioje naudojimo instrukcijoje pateiktus saugos nurodymus, taip pat susipažinkite su visais saugos įspėjamaisiais simboliais, tokiais kaip „**PAVOJUS**“, „**ĮSPĖJIMAS**“ ir „**DĖMESIO**“, ir įsitikinkite, ar juos supratote. Nesilaikant visų toliau išdėstytų nurodymų galima patirti elektros smūgį, sukelti gaisrą ir (arba) sunkiai susižeisti.

APSAUGOS NUO SUGADINIMO IR INFORMACINIAI PRANEŠIMAI

Jais naudotojui pateikiama svarbi informacija ir (arba) nurodymai, kurių nesilaikant gali būti padaryta žala įrangai arba kitai nuosavybei. Kiekvieno pranešimo pradžioje yra žodis „**PASTABA**“, kaip toliau pateiktame pavyzdyje.

PASTABA: Nesilaikant šių nurodymų, gali būti padaryta žala įrangai ir (arba) nuosavybei.



⚠ ĮSPĖJIMAS: Bet koks elektrinis įrankis naudojimo metu gali išsviesti šiukšles, kurios gali pataikyti į akis ir sunkiai jas sužaloti. Prieš pradėdami naudoti elektrinį įrankį, visada užsidėkite apsauginius akinius arba apsauginius akinius su šonine apsauga ir, jei reikia, visą veidą dengiantį skydelį. Rekomenduojame naudoti platų matymo lauką užtikrinančią apsauginę kaukę, dedamą ant akinių, arba standartinius apsauginius akinius su šonine apsauga.

LT

SAUGOS NURODYMAI

Šiame puslapyje pavaizduoti ir aprašyti saugos simboliai, kurie gali būti nurodyti ant šio gaminio. Prieš bandydami surinkti ir naudoti įrenginį, perskaitykite visus ant jo pateiktus nurodymus, įsitikinkite, ar juos supratote, ir jais vadovaukitės.



Įspėjimas dėl saugos



Naudodami šį gaminį, visada užsidėkite apsauginius akinius arba apsauginius akinius su šonine apsauga ir visą veidą dengiantį skydelį.



Dirbdami su šiuo gaminiu visada dėvėkite klausos apsaugos priemones.



Kad sumažintų pavojų susižaloti, naudotojas turi perskaityti naudojimo instrukciją prieš naudodamas šį įrankį.



Pašaliniai asmenys turi būti atsitraukę bent 15 m atstumu.



Šis gaminys atitinka taikomas EB direktyvas.



Šis gaminys atitinka taikomas JK direktyvas.



Netinkamus naudoti elektrinius įrankius draudžiama išmesti kartu su buitinėmis atliekomis. Pristatyti įgaliotam perdirbėjui.

V Voltai

A Amperai

Hz Hercai

W Vatai

min. Minutės

m3/val. Kubiniai metrai per valandą

km/val. Kilometrai per valandą



Nuolatinė srovė

n_0 Sūkliai be apkrovos

.../min Per minutę

LT

IPX5 Apsauga nuo vandens čiurkšlių

TECHNINIAI DUOMENYS

Įtampa	56 V
Didžiausias oro tūris	1360 m ³ /val.
Maksimalus oro srauto greitis	85 m/s
Maksimali pūtimo galia	26 N
Rekomenduojama darbo temperatūra	Nuo -15°C iki 40°C
Rekomenduojama laikymo temperatūra	Nuo -20°C iki 70°C
Dūmtraukio svoris (be baterijų, su vamzdžiu)	7,4 kg
Išmatuotas garso galios lygis L _{WA}	97 dB(A) K=1,2 dB(A)
Garso slėgio lygis ties operatoriaus ausimi L _{PA}	86,2 dB(A) K=2,5 dB(A)
Garantuojamas garso galios lygis L _{WA} (pagal 2000/14/EB)	98 dB(A)
Vibracija a _h	0,4 m/s ² K=1,5 m/s ²

- Nurodyta bendroji vibracijos vertė išmatuota taikant standartinį bandymo metodą, todėl pagal ją galima palyginti skirtingus įrankius.
- Nurodytą bendrąją vibracijos vertę taip pat galima naudoti pirminiam poveikio vertinimui.

PASTABA: Naudojant įrankį realiomis sąlygomis, sklaidžiamos vibracijos stiprumo vertė gali skirtis nuo nurodytos. Kad apsaugotų dirbdamas realiomis sąlygomis, naudotojas turi mūvėti pirštines ir naudoti klausos apsaugos priemones.

PAKUOTĖS TURINIO SĄRAŠAS (A1 PAV.)

APRAŠYMAS

PŪSTUVO SUDĖTINĖS DALYS (A1 ir A2 pav.)

1. Rankena
2. Baterijų atjungimo mygtukai
3. Fiksatorius
4. Elektros kontaktai
5. Pagalbinė rankena
6. Oro įsiurbimo anga
7. Silfonas

8. Vamzdis su valdymo rankena
9. Pūstuvo vamzdis
10. Valdymo rankena
11. Kuprinės plokštė
12. Pūstuvo vamzdžio laikymo iškyša
13. Reguliuojamų laikymo diržų komplektas
14. Smailus antgalis
15. Greičio palaikymo mygtukas
16. LCD ekranas
17. TURBO greičio mygtukas
18. Pagrindinis jungiklis
19. Vamzdžio pakabinimo griovelis
20. Greito atjungimo svirtis
21. Įkrovos indikatorius
22. Ventilatoriaus piktograma
23. TURBO indikatorius
24. Oro greičio indikatorius
25. Palaikomo greičio piktograma
26. Baterijos piktograma

⚠ ĮSPĖJIMAS: Norint saugiai naudoti šį gaminį, reikia suprasti informaciją apie įrankį ir šią naudojimo instrukciją, taip pat išmanyti atliekamą darbą. Prieš pradėdami naudoti šį įrankį, susipažinkite su visomis jo veikimo funkcijomis ir saugos taisyklėmis.

SURINKIMAS

⚠ ĮSPĖJIMAS: Jei kurios nors dalys pažeistos arba jų nėra, nenaudokite šio gaminio tol, kol tos dalys nebus pakeistos. Naudojant gaminį su pažeistomis dalimis arba kai jų trūksta, galima sunkiai susižaloti.

⚠ ĮSPĖJIMAS: nebandykite keisti šio gaminio konstrukcijos arba naudoti priedus, kurie nėra rekomenduojami naudoti su šiuo pūstuvu. Visi tokie pakeitimai laikomi netinkamu naudojimu ir gali sukelti pavojingas situacijas, kurių metu galite sunkiai susižaloti.

⚠ ĮSPĖJIMAS: Kad išvengtumėte atsitiktinio įrankio paleidimo ir galimo sunkaus sužalojimo, surinkdami įrankio dalis visada iš jo išimkite sudėtinę bateriją.

PŪSTUVO VAMZDŽIŲ MONTAVIMAS

Vamzdžio su valdymo rankena prijungimas prie silfono (C pav.)

1. Įkiškite viršutinį vamzdžio su valdymo rankena galą į silfoną iki atramos.
2. Tvirtai priveržkite prispaudimo žiedo varžtą ant silfono.

C-1	Prispaudimo žiedas
C-2	Varžtas

Pūstuvo vamzdžio prijungimas prie vamzdžio su valdymo rankena (D pav.)

1. Atlaisvinkite ir nuimkite greito atjungimo svirtį ir sparnuotąją veržlę nuo vamzdžio veržtuvo ant pūstuvo vamzdžio.

D-1	Vamzdžio veržtuvas
D-2	Sparnuotoji veržlė

2. Įtaikykite pūstuvo vamzdžio griovelį į vamzdžio su valdymo rankena iškyšą ir užmaukite pūstuvo vamzdį ant vamzdžio su valdymo rankena.
3. Įkiškite greito atjungimo svirties kaištį ir prispauskite svirtį prie vamzdžio veržtuvo.
4. Užveržkite sparnuotąją veržlę, pritvirtindami vamzdžio veržtuvą.

Smailaus antgalio prijungimas prie pūstuvo vamzdžio (E, F pav.)

1. Įtaikykite antgalio griovelį į vamzdžio fiksatorių. Stumkite antgalį ant vamzdžio, kol jis tvirtai užsifiksuos.
2. Kai antgalį norite nuimti, paspauskite ir laikykite nuspaudę antgalio atjungimo mygtuką, kad atjungtumėte fiksatorių, ir nutraukite antgalį nuo pūstuvo vamzdžio.

E-1	Antgalio atleidimo mygtukas
E-2	Fiksatorius

NAUDOJIMAS

⚠️ ĮSPĖJIMAS: Mokėjimas naudotis šiuo gaminiu nesuteikia teisės dirbti nerūpestingai. Atminkite, kad net akimirksniui atitraukę dėmesį galite sunkiai susižaloti.

⚠️ ĮSPĖJIMAS: Nenaudokite jokių papildomų įtaisų ar priedų, kurių nerekomendavo šio įrankio gamintojas. Naudojant nerekomenduojamus papildomus įtaisus arba priedus, galima sunkiai susižaloti.

⚠️ ĮSPĖJIMAS: Visada išimkite baterijas iš gaminio, kai montuojate dalis, reguliuojate, valote arba gaminio nenaudojate. Išėmę baterijas išvengsite atsitiktinio paleidimo, kuris gali sunkiai sužaloti.

Kaskart prieš naudodami gaminį nuodugniai jį patikrinkite, ar nesugadintas ir netrūksta ar neatsilaisvinusios dalys, pavyzdžiui, sraigčiai, veržlės, varžtai, dangteliai ir pan. Patikimai priveržkite visas tvirtinimo detales ir dangtelius ir nenaudokite šio gaminio, kol nepakeisite visų trūkstamų ar sugadintų dalių.

⚠️ ĮSPĖJIMAS: Susidarius pavojingai situacijai, nedelsdami atsekite krūtinės sągtį ir nusiimkite pūstuvą.

PASKIRTIS

Galite naudoti šį gaminį toliau išvardytais tikslais:

- kietiems paviršiams, pvz., įvažiavims ir takams, valyti;
- lapams bei pušų spygliams pašalinti nuo aikštelių ir įvažiavimų.

PASTABA: Įrankį galima naudoti tik pagal numatytąją paskirtį. Bet koks kitas naudojimas laikomas netinkamu.

BATERIJŲ ĮSTATYMAS IR IŠĖMIMAS

ĮKRAUKITE PRIEŠ PIRMĄ KARTĄ NAUDODAMI.

Naudokite tik su baterijomis ir įkrovikliais, nurodytais B pav.

PASTABA: Norint užtikrinti geriausių veikimą, rekomenduojame naudoti bet kurį EGO 56V akumuliatorių, kurio talpa didesnė nei 5,0 Ah.

Pūstuve yra du baterijoms skirti skyriai kairėje ir dešinėje baterijų skyriaus korpuso pusėje.

PASTABA: Pūstuvus gali veikti su viena arba dviem baterijomis. Naudodami dvi baterijas galite ilgiau ir efektyviau dirbti, naudodami „PEAK POWER“™ technologijos valdomą energiją.

Jei baterija įdėta į baterijų skyrių, ant kuprinės plokštelės pažymėtą 1 arba 2, įjungus pūstuvą LCD ekrane (G pav.) užsidega atitinkamo baterijos skyriaus piktograma.

G-1	Baterijos skyriaus padėties ženklas
-----	-------------------------------------

■ Įstatymas (H pav.)

Įtaikykite baterijos briaunas į įstatymo griovelius ir spauskite bateriją žemyn, kol išgirsite spragtelėjimą. Pakartokite šią procedūrą, norėdami įstatyti antrąją bateriją.

■ Išėmimas (I pav.)

Paspauskite baterijų atjungimo mygtukus ir ištraukite baterijas.

⚠️ ĮSPĖJIMAS: Prieš paspausdami baterijos atjungimo mygtuką, visada atkreipkite dėmesį į savo kojas, vaikų ir augintinių buvimą vieta. Iškritusi baterija gali sunkiai sužaloti. NIEKADA nebandykite išimti baterijos, kai įrankis aukštai pakeltas.

PŪSTUVO UŽSIDĖJIMAS ANT NUGAROS

⚠️ ĮSPĖJIMAS: Dirbdami su šiuo įrankiu tinkamai apsirenkite, kad sumažintumėte traumų pavojų. Nedėvėkite laisvų drabužių ir nenešioti laisvai kabančių papuošalų. Būkite užsidėję akių ir ausų / klausos organų apsaugos priemonės. Mūvėkite tvirtos medžiagos ilgus kelnes ir pirštines, avėkite tinkamus batus. Nedirbkite su trumpomis kelnėmis, su sandalais ar basomis.

Laikymo diržų reguliavimas

1. Prakiškite rankas pro pečių diržus, kad pūstuvus laikytųsi ant jūsų nugaros.
2. Susireguliuokite abu pečių diržus, kad jums būtų patogiu nešioti pūstuvą ant nugaros (J pav.).
3. Užsisekite krūtinės sągtį ir, jei reikia, susireguliuokite dirželio ilgį (K pav.).
4. Užsisekite juosmens sągtį ir susireguliuokite dirželio ilgį taip, kad kuprinė tvirtai remtųsi į jūsų klubus (L ir M pav.).
5. Iš naujo susireguliuokite pečių diržus, kad pūstuvus laikytųsi tvirtai ir saugiai. Įsitikinkite, kad kuprinė tvirtai remiasi į jūsų nugarą, jos svorį laiko juosmens diržas ir jums judant pūstuvus beveik nejuda ant jūsų nugaros (N pav.).
6. Laisvus juosmens dirželio galus abiejose sagties pusėse įkiškite į tamprias kilpas (O pav.).
7. Norėdami nusimti pūstuvą nuo nugaros, tiesiog paspausdami atsekite juosmens ir krūtinės sagtis (P pav.).

Valdymo rankenos reguliavimas

1. Atleiskite greito atjungimo svirtį, kad valdymo rankeną prirėkus galėtumėte pastumti į priekį arba atgal (Q ir R pav.), ir po to ją įtvirtinkite, užfiksuodami reikiamoje vietoje.
2. Kad būtų patogiau, rankeną galite pasukti į norimą padėtį (S pav.).

Vamzdžio su valdymo rankena ilgio reguliavimas (T1, T2 pav.)

1. Atleiskite greito atjungimo svirtį, nustatydami pūstuvo vamzdį į patogią darbinę padėtį.
2. Įtvirtinkite greito atjungimo svirtį, užfiksuodami pūstuvo vamzdį.

PŪSTUVO PALEIDIMAS IR IŠJUNGIMAS

Pagrindinis jungiklis (U1, U2 pav.)

- Paspauskite pagrindinį jungiklį, kad įjungtumėte pūstuvą. LCD ekrane rodomas įkrovos indikatorius, baterijos piktograma, oro greičio indikatorius.
- Pūtimo greitis valdomas pagrindiniu jungikliu. Kuo jungiklį labiau spausite, tuo oro srautas iš antgalio bus stipresnis. Nustatykite jūsų užduočiai tinkamą greitį. LCD ekrane rodoma atitinkama oro greičio piktograma.
- Atleiskite pagrindinį jungiklį, kad išjungtumėte pūstuvą. Po 6 sekundžių LCD ekranas išsijungia.

TURBO režimas

Paspaudę ir laikydami nuspaustą pagrindinį jungiklį, paspauskite TURBO greičio mygtuką, kad oro srautas išaugtų iki maksimalaus (U1 pav.). LCD ekrane užsidega TURBO indikatorius ir ventiliatoriaus piktograma (U3 pav.).

PASTABA: Atleidus TURBO mygtuką, atkuriamas prieš tai naudotas pūstovo pūtimo greitis.

Greičio palaikymo režimas

Naudojant greičio palaikymo režimą nereikia spausti pagrindinio jungiklio.

Greičio palaikymo režimo įjungimas:

1. Nustatę norimą pūtimo greitį, paspauskite ir laikykite nuspaudę pagrindinį jungiklį (U1 pav.).
2. Paspauskite greičio palaikymo mygtuką. Atleiskite mygtuką, kai LCD ekrane pasirodys greičio palaikymo piktograma (U4 pav.).
3. Atleiskite pagrindinį jungiklį, o pūstuvus ir toliau veiks.

Paspaudę TURBO mygtuką greičio palaikymo režime, galite laikinai padidinti oro greitį iki maksimalaus. Atleidus TURBO mygtuką pūstuvus vėl pradeda veikti ankstesniu greičiu.

Greičio palaikymo režimo išjungimas:

Dar kartą paspauskite greičio palaikymo mygtuką, kad išjungtumėte greičio palaikymo režimą. Greičio palaikymo piktograma LCD ekrane išnyksta.

Patarimai, kaip naudotis pūstuvu

- Prieš pūsdami šiukšles, pasklaidykite jas grėbliu arba šluota. Jei įmanoma, dulkečioje aplinkoje šiek tiek sudrėkinkite paviršius vandeniu.
- Būkite atsargūs, kai netoliese yra vaikų, minių gyvūnų, atvirų langų arba ką tik nuplautų automobilių, ir šiukšles atsargiai nupūskite į šalį.

- Panaudoję pūstuvą arba kitą įrangą, ją nuvalykite!

TECHNINĖ PRIEŽIŪRA

⚠ ĮSPĖJIMAS: Vykdydami techninės priežiūros darbus, naudokite tik identišką atsarginę dalis. Naudojant bet kokias kitas dalis, gali kilti pavojus arba sugesti gaminys. Norint užtikrinti saugumą ir patikimumą, visus remonto darbus turi atlikti kvalifikuotas techninės priežiūros specialistas.

⚠ ĮSPĖJIMAS: Visada išimkite bateriją iš gaminio prieš jį valydami arba prieš vykdydami jo techninės priežiūros darbus, kad išvengtumėte pavojaus sunkiai susižaloti.

BENDROJI PRIEŽIŪRA

Plastikinių dalių nevalykite tirpikliais. Įvairūs komerciniai tirpikliai gali pažeisti įvairių tipų plastiką ir jų naudoti nerekomenduojama. Purvą, dulkes, alyvą, tepalus ir t. t. valykite švaria šluoste.

⚠ ĮSPĖJIMAS: Niekada neleiskite stabdžių skysčiui, benzinui, naftos produktams, skvarbiai alyvai ir panašioms medžiagoms patekti ant plastikinių dalių. Cheminės medžiagos plastiką gali sugadinti, susilpninti arba suardyti. Dėl to galite sunkiai susižaloti.

LAIKYMAS

- Išimkite iš pūstuvo bateriją.
- Nuvalykite visas pašalines medžiagas nuo pūstuve esančių oro įsiurbimo angų.
- Pūstuvo vamzdžio laikymo iškyšą įtaikykite į vamzdžio pakabinimo griovelį ir pakabinkite vamzdį ant baterijų skyriaus korpuso (V ir W pav.).
- Laikykite uždaroje patalpoje, vaikams nepasiekiamoje vietoje. Laikykite toliau nuo šildančių medžiagų, pvz., sodo chemikalų ir druskų ledui tirpdyti.

V-1	Pūstuvo vamzdžio laikymo iškyšimas
V-2	Vamzdžio pakabinimo griovelis

Aplinkos apsauga



Neišmeskite elektros įrangos, panaudotų baterijų ir įkroviklio kartu su buitėmis atliekomis!

Šias atliekas reikia pristatyti į jų surinkimo vietą ar įgaliotam perdirbėjui. Elektrinius įrankius reikia grąžinti į tokių atliekų perdirbimo įmonę.

TRIKČIŲ ŠALINIMAS

PROBLEMA	PRIEŽASTIS	SPRENDIMAS
Pūstuvus neveikia.	<ul style="list-style-type: none"> ■ Nėra elektrinio kontakto tarp pūstuvo ir baterijų. ■ Baterijos išsikrovę. ■ Baterijos arba pūstuvus pernelyg įkaitę. 	<ul style="list-style-type: none"> ■ Išimkite bateriją, patikrinkite kontaktus ir vėl ją įstatykite. ■ Įkraukite baterijas. ■ Atvėsinkite baterijas ir pūstuvą, kad jų temperatūra nukristų žemiau 67°C.
Oro srauto greitis labai sumažėja.	<ul style="list-style-type: none"> ■ Šiukšlės užkimšo oro įsiurbimo angą. ■ Pernelyg susidėvėjęs variklio ventiliatorius. 	<ul style="list-style-type: none"> ■ Išimkite baterijas, išvalykite šiukšles. ■ Kreipkitės į EGO techninės priežiūros centrą, kad suremontuotų.
LCD ekrano gedimas.	<ul style="list-style-type: none"> ■ Sugedęs arba netinkamai prijungtas LCD blokas. 	<ul style="list-style-type: none"> ■ Kreipkitės į EGO techninės priežiūros centrą, kad suremontuotų.

GARANTIJA

EGO GARANTIJOS TAISYKLĖS

Jei norite sužinoti visas EGO garantinių taisyklių sąlygas, apsilankykite interneto svetainėje egopowerplus.com.

IZLASIET VISUS NORĀDĪJUMUS!



IZLASIET LIETOTĀJA ROKASGRĀMATU

PIEZĪME! Šīs instrukcijas ir pieejamas arī citā veidā, piemēram, tīmekļa vietnē.

⚠ Citi riski! Personām, kuras lieto elektroniskas ierīces, piemēram, elektrokardiostimulatorus, pirms šīs ierīces lietošanas jākonsultējas ar savu ārstu. Elektriskā aprīkojuma darbība sirds elektrokardiostimulatora tuvumā var radīt stimulatora darbības traucējumus vai kļūmes.

⚠ BRĪDINĀJUMS! Lai garantētu drošību un uzticamību, ierīces remontu un tās detaļu nomaiņu uzticiet veikt tikai kvalificētam servisa tehniķim.

DROŠĪBAS SIMBOLI

Drošības apzīmējumi ir paredzēti, lai pievērstu jūsu uzmanību iespējamiem apdraudējumiem. Pievērsiet uzmanību drošības apzīmējumiem un to skaidrojumiem, un izprotiet tos. Brīdinājumu apzīmējumi paši par sevi nenovērš apdraudējumu. Tajos ietvertie norādījumi un brīdinājumi neaizstāj atbilstošu negadījumu novēršanas pasākumu īstenošanu.

⚠ BRĪDINĀJUMS! Pirms šī instrumenta lietošanas izlasiet un izprotiet visus šajā lietotāja rokasgrāmatā iekļautos drošības norādījumus, tostarp visus drošības brīdinājuma apzīmējumus, piemēram, „**BĪSTAMI!**”, „**BRĪDINĀJUMS!**” un „**UZMANĪBU!**”. Turpmāk uzskaitīto drošības norādījumu neievērošana var izraisīt elektriskā strāvas trieciena risku, ugunsgrēku un/vai nopietnus ievainojumus.

BOJĀJUMU NOVĒRŠANA UN INFORMĀCIJAS ZIŅOJUMI

Tie informē lietotāju par svarīgu informāciju un/vai instrukcijām, kas neievērošanas gadījumā varētu novest pie aprīkojuma vai cita īpašuma bojājumiem. Katra ziņojuma sākumā ir vārds „**PIEZĪME!**”, kā tālāk norādītājā piemērā:

PIEZĪME! Šo instrukciju neievērošanas gadījumā var rasties aprīkojuma vai īpašuma bojājumi.



⚠ BRĪDINĀJUMS! Jebkura elektroinstrumenta lietošanas laikā acīs var iekļūt svešķermeņi, kas var radīt smagu acu traumu. Pirms elektroinstrumenta ieslēgšanas vienmēr uzvelciet aizsargbrilles vai aizsargbrilles ar sānu aizsargiem un, ja nepieciešams, pilnu sejas aizsargmasku. Iesakām izmantot aizsargmasku ar plašu skata leņķi, ko uzvelk virs parastajām brillēm, vai arī standarta aizsargbrilles ar sānu aizsargiem.

LV

DROŠĪBAS NORĀDĪJUMI

Šajā lapaspusē ir parādīti un aprakstīti drošības apzīmējumi, kas var būt norādīti uz šī izstrādājuma. Pirms iekārtas salikšanas un lietošanas izlasiet, izprotiet un ievērojiet visus norādījumus par iekārtu.



Drošības brīdinājums



Šī izstrādājuma darbināšanas laikā vienmēr valkājiet aizsargbrilles vai aizsargbrilles ar sānu aizsargiem un pilnu sejas aizsargmasku.



Strādājot ar šo instrumentu, vienmēr izmantojiet dzirdes aizsarglīdzekļus.



Lai mazinātu traumu gūšanas risku, lietotājam pirms šī izstrādājuma lietošanas jāizlasa lietotāja rokasgrāmata.



Raugieties, lai vismaz 15 m attālumā neviena nebūtu.



Šis izstrādājums atbilst piemērojamām EK direktīvām.



Šis izstrādājums atbilst piemērojamiem Apvienotās Karalistes tiesību aktiem.



Elektrisko izstrādājumu atkritumus nedrīkst izmest kopā ar sadzīves atkritumiem. Nogādāt uz pilnvarotu pārstrādes punktu.

V Volti

A Ampēri

Hz Herci

W Vati

min. Minūtes

m³/h Kubikmetri stundā

km/h Kilometri stundā

≡ Līdzstrāva


n₀ Apgriezienu skaits bez slodzes

.../min Minūtē

IPX5 Aizsardzība pret ūdens strūkļām

LV

SPECIFIKĀCIJAS

Spriegums	56 V 
Maksimālais gaisa daudzums	1360 m ³ /h
Maksimālais gaisa ātrums	85 m/s
Maksimālais pūšanas spēks	26 N
Ieteicamā darba temperatūra	-15°C-40°C
Ieteicamā uzglabāšanas temperatūra	-20°C-70°C
Pūtēja svars (Bez akumulatora ar cauruli)	7,4 kg
Izmēritais skaņas intensitātes līmenis L _{WA}	97 dB(A) K=1,2 dB(A)
Trokšņa spiediena līmenis pie lietotāja auss L _{PA}	86,2 dB(A) K=2,5 dB(A)
Garantētais skaņas intensitātes līmenis L _{WA} (saskaņā ar 2000/14/EK)	98 dB(A)
Vibrācija a _h	0,4 m/s ² K=1,5 m/s ²

- Norādītā vibrāciju kopējā vērtība ir izmērīta saskaņā ar standarta pārbaudes metodi un var tikt izmantota, lai salīdzinātu vairākus instrumentus.
- Deklarēto vibrāciju emisijas vērtību var arī lietot iepriekšējai vibrāciju iedarbības novērtēšanai.

PIEZĪME! Vibrāciju emisijas faktiskajā elektroinstrumenta darbināšanas laikā var atšķirties no norādītās vērtības. Lai pasargātu operatoru, lietotājam jāvalkā cimdi un dzirdes aizsarglīdzekļi atbilstoši faktiskajiem darba apstākļiem.

LV

IĒPAKOJUMA SATURA SARAKSTS (A1 ATT.)

APRAKSTS

IĒPAZĪSTIET SAVU PŪTĒJU (A1 un A2 att.)

1. Rokturis
2. Akumulatora atbrīvošanas pogas
3. Slēgmehānisms
4. Elektriskie kontakti
5. Palīgrokturis
6. Gaisa ieplūde
7. Plēšas

8. Vadības roktura caurule
9. Pūtēja caurule
10. Vadības rokturis
11. Mugursomas tipa plāksne
12. Pūtēja — caurules uzglabāšanas poga
13. Regulējams atbalsta stiprinājums
14. Konusveida uzgalis
15. Kruīza kontroles poga
16. LCD ekrāns
17. Turbo poga
18. Palaišanas slēdzis
19. Caurules uzkares rievā
20. Ātrās atlaišanas svira
21. Degvielas mērītājs
22. Ventilatora ikona
23. Turbo indikators
24. Gaisa ātruma indikators
25. Kruīza kontroles ikona
26. Akumulatoru ikona

⚠ BRĪDINĀJUMS! Lai šo produktu varētu droši lietot, nepieciešams izprast informāciju par šo ierīci, kā arī to, kas ir šajā rokasgrāmatā, kā arī nepieciešamas zināšanas par darbu, ko vēlaties veikt. Pirms šī izstrādājuma lietošanas iepazīstieties ar visām raksturīgajām darba funkcijām no drošības noteikumiem.

MONTĀŽA

⚠ BRĪDINĀJUMS! Ja kāda daļa ir bojāta vai trūkst, nedarbiniet šo izstrādājumu, kamēr nav nomainīta bojātā daļa. Darbinot šo izstrādājumu ar bojātām vai trūkstošām daļām, varat gūt smagus miesas bojājumus.

⚠ BRĪDINĀJUMS! Nemēģiniet pārveidot šo ierīci vai izveidot piederumus, kas nav ieteicami lietošanai kopā ar šo pūtēju. Jebkādi šādi uzlabojumi vai pārveidojumi ir uzskatāmi par neatbilstošiem lietošanai un var radīt bīstamus apstākļus, kas var izraisīt nopietnus ievainojumus.

⚠ BRĪDINĀJUMS! Lai nepieļautu nejaušu instrumenta ieslēgšanos, kas var radīt smagas traumas, to saliekot, vienmēr izņemiet no instrumenta akumulatoru bloku.

PŪTĒJA CAURUĻU MONTĀŽA

Vadības roktura caurules pievienošana silfonam (C att.)

1. Ievietojiet vadības roktura caurules augšējo galu silfonā līdz galam.
2. Pievelciet līdz galam caurules un sifona savienošanas gredzena skrūvi.

C-1	Savienošanas gredzens
C-2	Skrūve

Pūtēja caurules pievienošana vadības roktura caurulei (D att.)

1. Atskrūvējiet un noņemiet ātrās atbrīvošanas sviru un spārmuzgriezni no caurules skavas, kas piestiprināta pie pūtēja caurules.

D-1	Caurules skava
D-2	Spārmuzgrieznis

2. Savienojiet pūtēja caurules rievu ar vadības roktura caurules izcilni, uzbīdīet pūtēja cauruli uz vadības roktura caurules, cik vien tālu iespējams.
3. Ievietojiet ātrās atbrīvošanas sviras tapu un aizveriet sviru uz caurules skavas.
4. Pievelciet spārmuzgriezni, lai nostiprinātu caurules skavu.

Konusveida uzgaļa savienošana ar pūtēja cauruli (E, F att.)

1. Savienojiet uzgaļa rievu ar caurules fiksatoru. Uzlieciet uzgali uz caurules un piespiediet, līdz tas stingri nofiksējas.
2. Lai noņemtu uzgali, nospiediet un pieturiet uzgaļa atbrīvošanas pogu, lai atbrīvotu fiksatoru, un pēc tam noņemiet uzgali no pūtēja caurules, to pavelkot.

E-1	Uzgaļa atbrīvošanas poga
E-2	Slēgmehānisms

EKSPLUATĀCIJA

⚠ BRĪDINĀJUMS! Saglabājiet modrību visu griezējinstrumenta lietošanas laiku. Neaizmirstiet, ka pat mirklis neuzmanības var izraisīt nopietnu traumu.

⚠ BRĪDINĀJUMS! Nelietojiet palīgierces vai piederumus, ko nav ieteicis šī produkta ražotājs. Šādu neapstiprinātu palīgierču vai piederumu lietošana var radīt nopietnus ievainojumus.

⚠ BRĪDINĀJUMS! Vienmēr izņemiet akumulatorus no instrumenta, kad montējat daļas, noregulējat, tīrāt vai tad, kad instruments netiek lietots. Akumulatoru izņemšana ļaus izvairīties no nejausas iedarbināšanas, kas varētu izraisīt nopietnus savainojumus.

Pirms katras lietošanas pārbaudiet visu ierīci, vai tā nav bojāta, vai tai nav trūkstošu vai atskrūvējušos daļu, piemēram, skrūves, uzgriežņi, bultskrūves, vāciņi utt. Stingri pievelciet visus stiprinājumus un vāciņus un nedarbiniet izstrādājumu, kamēr nav nomainītas visas trūkstošās vai bojātās daļas.

⚠ BRĪDINĀJUMS! Lai ārkārtas situācijas gadījumā varētu nekavējoties noņemt pūtēju, atkabiniet krūšu daļas siksnas aizdares sprādzi.

PIELIETOJUMS

Šo izstrādājumu var lietot tālāk norādītajiem mērķiem:

- cietu virsmu attīrīšanai, piemēram, piebraucamajiem ceļiem un gājēju ceļiņiem;
- klāju un piebraucamo ceļu attīrīšanai no lapām un skujām.

PIEZĪME! Instrumentu drīkst izmantot tikai aprakstītajam mērķim. Izmantošana jebkādā citā veidā ir uzskatāma par neatbilstošu.

AKUMULATORU UZSTĀDĪŠANA/IZŅEMŠANA

PIRMS PIRMĀS LIETOŠANAS REIZES AKUMULATORI IR JĀUZLĀDĒ.

Izmantojiet kopā tikai ar B attēlā norādītajiem akumulatoriem.

PIEZĪME! Lai nodrošinātu vislabāko veiktspēju, mēs iesakām izmantot jebkuru EGO 56V akumulatoru, kura ietilpība pārsniedz 5,0 Ah.

Pūtējam akumulatoru nodalījuma korpusa kreisajā un labajā pusē ir divi aktīvi akumulatoru nodalījumi.

PIEZĪME! Pūtējs var darboties ar vienu vai diviem akumulatoriem. Divu akumulatoru izmantošana nodrošina ilgāku darbības laiku un efektīvu enerģijas patēriņu, ko pārvalda tehnoloģija PEAK POWER™.

Ja akumulators ir ievietots akumulatoru nodalījumā, kas uz mugursomas tipa plāksnes ir atzīmēts ar ciparu 1 vai 2, pēc pūtēja ieslēgšanas LCD ekrānā iedegas atbilstošā akumulatora ikona (G attēls).

G-1	Akumulatoru nodalījuma pozīcijas atzīme
-----	---

■ Ievietošana (H att.)

Salāgojiet akumulatora izciļņus ar stiprinājuma rievām un iespiediet akumulatoru bloku, līdz ir dzirdama „klikšķa” skaņa. Atkārtojiet šīs darbības, lai ievietotu otro akumulatoru.

■ Izņemšana (I att.)

Nospiediet akumulatoru atbrīvošanas pogas un izņemiet akumulatorus.

⚠ BRĪDINĀJUMS! Vienmēr pārbaudiet, kāds ir pamats zem kājām un vai tuvumā neatrodas bērni vai dzīvnieki, kad nospiežat akumulatora atbrīvošanas pogu. Zemē nokritis akumulators var izraisīt smagas traumas. NEKAD neizņemiet akumulatoru, kamēr atrodiaties augstumā.

MUGURSOMAS TIPĀ PŪTĒJA NOVIEĻOŠANA

⚠ BRĪDINĀJUMS! Ģērbieties atbilstīgi, lai mazinātu traumu rašanās draudus, lietojot šo instrumentu. Nevalkājjiet vaļīgu apģērbu vai rotaslietas. Izmantojiet acu un dzirdes aizsarglīdzekļus. Valkājjiet izturīgas, garas bikses, apavus un cimdus. Nevalkājjiet īsās bikses, sandales; netaigājiet basām kājām.

Lai noregulētu atbalsta stiprinājumu:

1. Izvelciet rokas cauri mugursomas siksnām, lai atbalstītu uz muguras pūtēju.
2. Noregulējiet abas plecu siksnas, līdz jūtaties ērti, kad pūtējs atrodas mugurā (J att.).
3. Satveriet krūšu sprādzi un nepieciešamības gadījumā noregulējiet tās garumu (K attēls).
4. Satveriet vidukļa sprādzi un noregulējiet tās garumu tā, lai mugursoma drošā stāvoklī atbalstītos uz gurniem (L un M attēls).
5. Vēlreiz noregulējiet plecu siksnas drošības nolūkam un ērtumam. Mugursomai uz muguras jābūt droši piestiprinātai un vidukļa siksnai ir jāatbalsta tās svars; pārvietošanās laikā neveiciet liekas kustības (N attēls).
6. Atlikušos gurnu jostas galus ieveriet aiz gumijas uz abām pusēm (O attēls).
7. Lai noņemtu darbarīku no muguras, vienkārši nospiediet vidukļa un krūšu sprādzes, lai tās atsprādzētos (P attēls).

Lai noregulētu vadības rokturi:

1. Atlaidiet ātrās atbrīvošanas sviru, lai pēc vajadzības pārvietotu vadības rokturi uz priekšu vai atpakaļ (Q un R att.), un pēc tam ieslēdziet ātrās atbrīvošanas sviru, lai nostiprinātu rokturi.

2. Lai rokturis būtu ērts, jūs to varat arī pagriezt (S attēls).

Vadības roktura caurules garuma regulēšana (T1, T2 att.)

1. Lai pārvietotu pūtēja cauruli ērtā darbības stāvoklī, atlaidiet ātrās atbrīvošanas sviru.
2. Lai nostiprinātu pūtēja cauruli, ieslēdziet ātrās atbrīvošanas sviru.

PŪTĒJA IESLĒGŠANA/IZSLĒGŠANA

Ieslēgšanas slēdzis (U1, U2 att.)

- Lai ieslēgtu pūtēju, nospiediet ieslēgšanas slēdzi. LCD ekrānā ir redzams degvielas rādītājs, akumulatora ikona un gaisa plūsmas ātruma indikators.
- Pūtēja gaisa plūsmas ātrumu regulē ar ieslēgšanas slēdzi. Jo vairāk tiek nospiests ieslēgšanas slēdzis, jo vairāk gaisa izplūst no uzgāja. Pielāgojiet veicamajiem darbiem nepieciešamo ātrumu. LCD ekrānā tiek parādīta atbilstošā gaisa ātruma ikona.
- Atlaidiet slēdzi, lai izslēgtu pūtēju. Pēc 6 sekundēm LCD ekrāns izslēdzas.

Turbo režīms

Kad slēdzis ir nospiests un tiek pieturēts, nospiediet turbo pogu, lai maksimāli palielinātu gaisa plūsmu (U1 att.). LCD ekrānā iedegas turbo indikators un pūtēja ikona (U3 att.).

PIEZĪME! Atlaižot turbo pogu, pūtējs atgriežas pie iepriekšējā ātruma.

Kruīza kontroles modelis

Kruīza kontroles režīms ļaut strādāt, neizmantojot ieslēgšanas slēdzi.

Lai ieslēgtu kruīza kontroles režīmu:

1. Nospiediet un pieturiet ieslēgšanas slēdzi vēlamajā ātrumā (U1 att.).
2. Nospiediet kruīza kontroles pogu. Pēc kruīza kontroles ikonas parādīšanās LCD ekrānā atlaidiet pogu (U4 att.).
3. Atlaidiet ieslēgšanas slēdzi, un pūtējs turpinās darboties.

Nospiediet turbo pogu kruīza kontroles režīmā, lai īslaicīgi palielinātu gaisa plūsmas ātrumu līdz maksimālajam līmenim. Atlaižot turbo pogu, pūtējs sāks darboties ar iepriekšējo ātrumu.

Lai izslēgtu kruīza kontroles režīmu:

Vēlreiz nospiediet kruīza kontroles pogu, lai izslēgtu kruīza kontroles režīmu. Kruīza kontroles ikona LCD ekrānā pazudīs.

Pūtēja lietošanas ieteikumi

- Izmantojiet grābekļus un slotas grūžu notīrīšanai pirms pūšanas. Putekļainos apstākļos nedaudz samitriniet virsmu, ja ir pieejams ūdens.
- Raugieties, lai tuvumā nebūtu bērni, dzīvnieki, atvērti logi vai tikko mazgātas automašīnas, lai droši varētu izpūst grūžus.
- Pēc pūtēja vai cita aprīkojuma lietošanas sakopiet teritoriju!

APKOPE

⚠ BRĪDINĀJUMS! Veicot apkopi, izmantojiet tikai identiskas rezerves daļas. Jebkuru citu daļu izmantošana var radīt apdraudējumu vai instrumenta bojājumus. Lai garantētu drošu un uzticamu instrumenta darbību, visi remontdarbi jāveic kvalificētam servisa speciālistam.

⚠ BRĪDINĀJUMS! Lai izvairītos no nopietnu traumu gūšanas, vienmēr pirms tīrīšanas vai apkopes darbu veikšanas izņemiet no izstrādājuma akumulatoru bloku.

VISPĀRĒJĀ APKOPE

Plastmasas detaļu tīrīšanai neizmantojiet šķīdinātājus. Vairums plastmasu ir uzņēmīgas pret dažāda veida komerciālu šķīdinātāju radītiem bojājumiem un, tos izmantojot, var tikt sabojātas. Lai notīrītu netīrumus, putekļus, eļļu, smērvielas u.c., izmantojiet tīras lupatiņas.

BRĪDINĀJUMS! Nekad neļaujiet bremžu šķīdriem, degvielai, uz naftu bāzētiem izstrādājumiem, iestrādes eļļām u.tml. nonākt saskarē ar plastmasa daļām. Ķīmiskās vielas var radīt bojājumus, kā arī mazināt plastmasas daļas izturību vai iznīcināt tās, radot smagus miesas bojājumus.

UZGLABĀŠANA

- Izņemiet no pūtēja akumulatoru.
- Notīriet visus svešķermeņus no pūtēja gaisa ievades atverēm.
- Salāgojiet pūtēja — caurules uzglabāšanas pogu ar caurules uzkares rievu un uzkariniet pūtēja cauruli uz akumulatora nodalījuma korpusa (V un W attēls).
- Glabājiet slēgtā, bērniem nepieejamā telpā. Sargājiet no kodīgiem līdzekļiem, piemēram, dārza ķimikālijām un pretapledojuuma sāļiem.

V-1	Pūtēja — caurules uzglabāšanas poga
V-2	Caurules uzkares rievā

Apkārtējās vides aizsardzība



Neutilizējiet elektrisko aprīkojumu, izlietoto akumulatoru un lādētāju sadzīves atkritumos!

Nogādājiet šo produktu uz pilnvarotu pārstrādes punktu un sagatavojiet atkritumu šķirošanai. Elektriskos instrumentus jānogādā videi nekaitīgā pārstrādes rūpnīcā.

PROBLĒMU MEKLĒŠANA UN NOVĒRŠANA

PROBLĒMA	CĒLONIS	RISINĀJUMS
Pūtējs nedarbojas.	<ul style="list-style-type: none">■ Starp pūtēju un akumulatoriem nav elektriskā kontakta.■ Akumulatori ir izlādējušies.■ Akumulatori vai pūtējs ir pārāk karsti.	<ul style="list-style-type: none">■ Izņemiet akumulatoru, pārbaudiet kontaktus un ievietojiet atpakaļ.■ Uzlādējiet akumulatorus.■ Atdzesējiet akumulatoru un pūtēju līdz temperatūra nokrītās zem 67°C.
Gaisa plūsmas ātrums ievērojami samazinās.	<ul style="list-style-type: none">■ Gruži gaisa ieplūdes atverē.■ Pārmērīgs motora ventilatora nodilums.	<ul style="list-style-type: none">■ Izņemiet akumulatorus, notīriet netīrumus.■ Sazinieties ar EGO servisa centru, kas veiks remontdarbus.
LCD ekrāna kļūme.	<ul style="list-style-type: none">■ Salūzis LCD bloks vai vājš savienojums ar LCD bloku.	<ul style="list-style-type: none">■ Sazinieties ar EGO servisa centru, kas veiks remontdarbus.

GARANTĪJA

EGO GARANTĪJAS POLITIKA

Lūdzu, apmeklējiet tīmekļa vietni egopowerplus.com, kur pieejama pilna EGO garantijas politikas noteikumu un nosacījumu versija.

ΔΙΑΒΑΣΤΕ ΟΛΕΣ ΤΙΣ ΟΔΗΓΙΕΣ!



ΔΙΑΒΑΣΤΕ ΤΟ ΕΓΧΕΙΡΙΔΙΟ ΧΡΗΣΗΣ

ΣΗΜΕΙΩΣΗ: Αυτές οι οδηγίες θα είναι επίσης διαθέσιμες σε εναλλακτική μορφή, π.χ. σε μια ιστοσελίδα.

⚠ Υπολειπόμενοι κίνδυνοι! Άνθρωποι που φέρουν ηλεκτρονικές συσκευές όπως βηματοδότες πρέπει να συμβουλευτούν τους γιατρούς τους, πριν τη χρήση αυτού του προϊόντος. Η λειτουργία ηλεκτρολογικού εξοπλισμού κοντά σε βηματοδότη μπορεί να προκαλέσει παρεμβολές ή βλάβη στο βηματοδότη.

⚠ ΠΡΟΕΙΔΟΠΟΙΗΣΗ: Προκειμένου να διασφαλιστεί η ασφάλεια και η αξιοπιστία, όλες οι επισκευές και οι αντικαταστάσεις πρέπει να πραγματοποιούνται από εξειδικευμένο τεχνικό σέρβις.

ΣΥΜΒΟΛΑ ΑΣΦΑΛΕΙΑΣ

Ο σκοπός των συμβόλων ασφαλείας είναι να σας επιστήσουν την προσοχή σε ενδεχόμενους κινδύνους. Λαμβάνετε υπόψη και εξοικειωθείτε με τα σύμβολα ασφαλείας και τις επεξηγήσεις που τα συνοδεύουν. Τα σύμβολα προειδοποίησης από μόνα τους δεν εξαλείφουν κανέναν κίνδυνο. Οι οδηγίες και οι προειδοποιήσεις που παρέχουν δεν υποκαθιστούν τα ενδεδειγμένα μέτρα πρόληψης ατυχημάτων.

⚠ ΠΡΟΕΙΔΟΠΟΙΗΣΗ: Βεβαιωθείτε ότι έχετε διαβάσει και κατανοήσει όλες τις οδηγίες ασφαλείας στο παρόν εγχειρίδιο χρήσης, συμπεριλαμβανομένων όλων των συμβόλων ασφαλείας, όπως «**ΚΙΝΔΥΝΟΣ**», «**ΠΡΟΕΙΔΟΠΟΙΗΣΗ**» και «**ΠΡΟΣΟΧΗ**», προτού χρησιμοποιήσετε αυτό το ηλεκτρικό εργαλείο. Η μη τήρηση όλων των παρακάτω οδηγιών μπορεί να οδηγήσει σε ηλεκτροπληξία, πυρκαγιά και/ή σοβαρό τραυματισμό.

ΠΡΟΛΗΨΗ ΖΗΜΙΑΣ ΚΑΙ ΕΝΗΜΕΡΩΤΙΚΑ ΜΗΝΥΜΑΤΑ

Με αυτά ενημερώνεται η χρήστης για σημαντικές πληροφορίες ή/και οδηγίες που θα μπορούσαν να οδηγήσουν σε ζημιά εξοπλισμών ή άλλης ιδιοκτησίας εάν δεν τηρηθούν. Κάθε μήνυμα προηγείται από τη λέξη «**ΣΗΜΕΙΩΣΗ**», όπως στο παρακάτω παράδειγμα:

ΣΗΜΕΙΩΣΗ: Μπορεί να προκύψει ζημιά στον εξοπλισμό ή/και στην ιδιοκτησία εάν δεν τηρούνται αυτές οι οδηγίες.



⚠ ΠΡΟΕΙΔΟΠΟΙΗΣΗ: Η λειτουργία ηλεκτρικών εργαλείων μπορεί να προκαλέσει την εκτόξευση ξένων αντικειμένων στα μάτια σας, με αποτέλεσμα σοβαρό τραυματισμό. Προτού ξεκινήσετε τη χρήση του ηλεκτρικού εργαλείου, φοράτε πάντα προστατευτικά γυαλιά ή γυαλιά με πλευρική προστασία και, εφόσον απαιτείται, πλήρη προστατευτική προσωπίδα. Συνιστούμε μια προσωπίδα ασφαλείας ευρείας όρασης, για χρήση πάνω από γυαλιά ή τα συνήθη προστατευτικά γυαλιά με πλευρική προστασία.

GR

ΟΔΗΓΙΕΣ ΑΣΦΑΛΕΙΑΣ

Αυτή η σελίδα απεικονίζει και περιγράφει τα σύμβολα ασφαλείας που ενδέχεται να εμφανιστούν επάνω στο προϊόν. Διαβάστε, κατανοείτε και τηρείτε όλες τις οδηγίες στη μηχανή, προτού προσπαθήσετε να εκτελέσετε εργασίες συναρμολόγησης και λειτουργίας.



Προειδοποίηση ασφαλείας



Φοράτε πάντα προστασία ακοής όταν χρησιμοποιείτε αυτό το προϊόν.



Διατηρείτε όλους τους παρευρισκομένους σε απόσταση τουλάχιστον 15 μ.



Αυτό το προϊόν συμμορφώνεται με την ισχύουσα νομοθεσία του Η.Β.

V Βολτ

Hz Hertz

min Λεπτά

km/h Χιλιόμετρα την ώρα

n_0 Ταχύτητα χωρίς φορτίο

IPX5 Προστασία από πίδακες νερού



Φοράτε πάντοτε προστατευτικά γυαλιά ή γυαλιά ασφαλείας με πλευρική προστασία και πλήρη προστατευτική προσωπίδα κατά τη λειτουργία αυτού του προϊόντος.



Προκειμένου να μειωθεί ο κίνδυνος τραυματισμού, ο χρήστης πρέπει να διαβάσει το εγχειρίδιο χρήσης προτού να χρησιμοποιήσει αυτό το προϊόν.



Αυτό το προϊόν συμμορφώνεται με τις εφαρμοστέες οδηγίες της ΕΚ.



Τα απόβλητα ειδών ηλεκτρικού και ηλεκτρονικού εξοπλισμού δεν πρέπει να απορρίπτονται στα οικιακά απορρίμματα.

Πρέπει να παραδίδονται σε εξουσιοδοτημένη μονάδα ανακύκλωσης.

A Ampere

W Watt

m^3/h Κυβικά μέτρα την ώρα

— — Συνεχές ρεύμα

.../min Ανά λεπτό

ΤΕΧΝΙΚΕΣ ΠΡΟΔΙΑΓΡΑΦΕΣ

Τάση	56 V
Μέγιστος όγκος αέρα	1360 m ³ /h
Μέγιστη ταχύτητα αέρα	85 m/s
Μέγιστη ισχύς φυσητήρα	26 N
Συνιστώμενη θερμοκρασία λειτουργίας	-15°C-40°C
Συνιστώμενη θερμοκρασία αποθήκευσης	-20°C-70°C
Βάρος φυσητήρα (Χωρίς μπαταρία με σωλήνα)	7.4 kg
Μετρούμενη στάθμη ακουστικής ισχύος L _{WA}	97 dB(A) K=1.2 dB(A)
Στάθμη ηχητικής πίεσης στο αυτί του χειριστή L _{PA}	86.2 dB(A) K=2.5 dB(A)
Εγγυημένη στάθμη ηχητικής ισχύος L _{WA} (κατά 2000/14/ΕΚ)	98 dB(A)
Κραδασμοί a _n	0,4 m/s ² K=1,5 m/s ²

- Η δηλωθείσα συνολική τιμή κραδασμών έχει μετρηθεί σύμφωνα με πρότυπη μέθοδο δοκιμής και μπορεί να χρησιμοποιηθεί για τη σύγκριση ενός εργαλείου με κάποιο άλλο.
- Η δηλωθείσα συνολική τιμή κραδασμών μπορεί να χρησιμοποιηθεί, επίσης, σε προκαταρκτική αξιολόγηση έκθεσης.

ΣΗΜΕΙΩΣΗ: Η μετάδοση της δόνησης κατά τη διάρκεια της πραγματικής χρήσης του ηλεκτρικού εργαλείου μπορεί να διαφέρει από τη δηλωθείσα τιμή στην οποία χρησιμοποιείται το εργαλείο. Για την προστασία του χειριστή, πρέπει να χρησιμοποιούνται γάντια και ωτοασπίδες υπό πραγματικές συνθήκες χρήσης.

ΚΑΤΑΛΟΓΟΣ ΕΞΑΡΤΗΜΑΤΩΝ (ΕΙΚ. Α1)

ΠΕΡΙΓΡΑΦΗ

ΓΝΩΡΙΣΤΕ ΤΟ ΦΥΣΗΤΗΡΑ ΣΑΣ (Εικ. Α1 & Α2)

1. Χειρολαβή
2. Κουμπιά απελευθέρωσης μπαταρίας
3. Μάνταλο
4. Ηλεκτρικές επαφές
5. Βοηθητική λαβή
6. Είσοδος αέρα

7. Ασκός φυσητήρα
8. Σωλήνας λαβής ελέγχου
9. Σωλήνας φυσητήρα
10. Λαβή ελέγχου
11. Πλάκα διάταξης πλάτης
12. Κουμπιά αποθήκευσης σωλήνα φυσητήρα
13. Ρυθμιζόμενος ιμάντας υποστήριξης
14. Κωνικό ακροφύσιο
15. Κουμπιά ελέγχου πορείας
16. Οθόνη LCD
17. Κουμπιά Turbo
18. Διακόπτης-σκανδάλι
19. Εγκοπτή ανάρτησης σωλήνα
20. Μοχλός γρήγορης αποδέσμευσης
21. Δείκτης στάθμης καυσίμου
22. Εικονίδιο ανεμιστήρα
23. Ένδειξη Turbo
24. Ένδειξη ταχύτητας αέρα
25. Εικονίδιο ελέγχου πορείας
26. Εικονίδιο μπαταρίας

⚠️ ΠΡΟΕΙΔΟΠΟΙΗΣΗ: Η ασφαλής χρήση του προϊόντος απαιτεί την πλήρη κατανόηση των πληροφοριών που υπάρχουν επάνω στο μηχανήμα, όπως και μέσα στο εγχειρίδιο οδηγιών, όπως και τη γνώση της εργασίας που θα προσπαθήσετε να εκτελέσετε. Πριν από τη χρήση του προϊόντος, εξοικειωθείτε με όλα τα χαρακτηριστικά λειτουργίας, όπως και τους κανόνες ασφαλείας.

ΣΥΝΑΡΜΟΛΟΓΗΣΗ

⚠️ ΠΡΟΕΙΔΟΠΟΙΗΣΗ: Σε περίπτωση που κάποια από τα εξαρτήματα έχουν υποστεί ζημιά ή λείπουν, μη χρησιμοποιήσετε το προϊόν, μέχρι να αντικατασταθούν. Η χρήση αυτού του προϊόντος με φθαρμένα ή ελλιπή εξαρτήματα μπορεί να έχει ως αποτέλεσμα σοβαρό τραυματισμό.

⚠️ ΠΡΟΕΙΔΟΠΟΙΗΣΗ: Μην επιχειρήσετε να τροποποιήσετε αυτό το εργαλείο ή να δημιουργήσετε εξαρτήματα που δεν συνιστώνται για χρήση με αυτό το φυσητήρα. Κάθε παρόμοια μετατροπή ή τροποποίηση συνιστά κακή χρήση και μπορεί να δημιουργήσει επικίνδυνες καταστάσεις με επακόλουθο τον σοβαρό τραυματισμό.

GR

⚠ ΠΡΟΕΙΔΟΠΟΙΗΣΗ: Για να εμποδίσετε τυχαία εκκίνηση που θα μπορούσε να προκαλέσει σοβαρό τραυματισμό, απομακρύνετε πάντα τις μπαταρίες από το ηλεκτρικό εργαλείο όταν συναρμολογείτε εξαρτήματα.

ΣΥΝΑΡΜΟΛΟΓΗΣΗ ΤΩΝ ΣΩΛΗΝΩΝ ΦΥΣΗΤΗΡΑ

Σύνδεση της διάταξης του σωλήνα λαβής ελέγχου με τον ασκό φυσητήρα (Εικ. C)

1. Εισαγάγετε το επάνω άκρο του σωλήνα λαβής ελέγχου στον ασκό φυσητήρα μέχρι τέρμα.
2. Σφίξτε πλήρως τη βίδα του δακτυλίου σύσφιξης πάνω στον ασκό φυσητήρα.

C-1	Δακτύλιος σύσφιξης
C-2	Βίδα

Σύνδεση του σωλήνα φυσητήρα με το σωλήνα λαβής ελέγχου (Εικ. D)

1. Χαλαρώστε και αφαιρέστε το μοχλό γρήγορης αποδέσμευσης και την πεταλούδα από το συγκρότημα σφικτήρα σωλήνα που είναι στερεωμένο στο σωλήνα φυσητήρα.

D-1	Σφικτήρας σωλήνα
D-2	Πεταλούδα

2. Ευθυγραμμίστε την αυλάκωση στο σωλήνα φυσητήρα με τη νεύρωση στο σωλήνα λαβής ελέγχου, και σύρετε το σωλήνα φυσητήρα πάνω στο σωλήνα λαβής ελέγχου μέχρι τέρμα.
3. Εισαγάγετε τον πείρο του μοχλού γρήγορης αποδέσμευσης και κλείστε το μοχλό πάνω στο σφικτήρα σωλήνα.
4. Συσφίξτε την πεταλούδα για να ασφαλίσετε το σφικτήρα σωλήνα σε αυτήν τη θέση.

Σύνδεση του κωνικού ακροφυσίου στο σωλήνα φυσητήρα (Εικ. E, F)

1. Ευθυγραμμίστε την αυλάκωση στο ακροφύσιο με το μάνταλο στο σωλήνα. Ωθήστε το ακροφύσιο πάνω από το σωλήνα μέχρι να ασφαλίσει στη θέση του.
2. Για να αφαιρέσετε το ακροφύσιο, πατήστε και κρατήστε πατημένο το κουμπί αποδέσμευσης ακροφυσίου ώστε να απεμπλακεί το μάνταλο και, στη συνέχεια, τραβήξτε το ακροφύσιο ευθεία έξω από το σωλήνα φυσητήρα.

E-1	Κουμπί αποδέσμευσης ακροφυσίου
E-2	Μάνταλο

ΛΕΙΤΟΥΡΓΙΑ

⚠ ΠΡΟΕΙΔΟΠΟΙΗΣΗ: Η εξοικείωσή σας με αυτό το προϊόν δε θα πρέπει να σας κάνει λιγότερο προσεκτικούς. Θυμηθείτε πως ένα κλάσμα δευτερολέπτου απροσεξίας μπορεί να προκαλέσει σοβαρό τραυματισμό.

⚠ ΠΡΟΕΙΔΟΠΟΙΗΣΗ: Μη χρησιμοποιείτε παρελκόμενα που δεν συνιστώνται από τον κατασκευαστή αυτού του προϊόντος. Η χρήση παρελκομένων ή εξαρτημάτων που δε συνιστώνται από τον κατασκευαστή, ενέχει τον κίνδυνο σοβαρού τραυματισμού.

⚠ ΠΡΟΕΙΔΟΠΟΙΗΣΗ: Αφαιρείτε πάντα τις μπαταρίες από το προϊόν, όταν συναρμολογείτε μέρη, πραγματοποιείτε ρυθμίσεις, διενεργείτε καθαρισμό ή όταν δεν το χρησιμοποιείτε. Η απομάκρυνση των μπαταριών αποτρέπει την τυχαία εκκίνηση, που θα μπορούσε να επιφέρει σοβαρό τραυματισμό.

Πριν από κάθε χρήση, ελέγχετε πλήρως το προϊόν για φθαρμένα, ελλιπή ή χαλαρά εξαρτήματα, όπως, βίδες, παξιμάδια, μπουλόνια, πώματα, κτλ. Συσφίξτε με ασφάλεια όλους τους σφικτήρες και τα πώματα και μη θέσετε σε λειτουργία το προϊόν προτού να αποκατασταθούν όλα τα ελλιπή ή φθαρμένα εξαρτήματα.

⚠ ΠΡΟΕΙΔΟΠΟΙΗΣΗ: Σε περίπτωση έκτακτης ανάγκης, ανοίξτε αμέσως το κούμπωμα στήθους για να βγάλετε τον φυσητήρα.

ΕΦΑΡΜΟΓΗ

Μπορείτε να χρησιμοποιήσετε αυτό το προϊόν για τους ακόλουθους σκοπούς:

- Καθαρισμός σκληρών επιφανειών όπως δρομάκια και μονοπάτια.
- Απομάκρυνση φύλλων και πευκαβελόνων από δάπεδα και δρομάκια.

ΣΗΜΕΙΩΣΗ: Το εργαλείο πρέπει να χρησιμοποιείται μόνο για την προβλεπόμενη χρήση. Οποιαδήποτε άλλη χρήση θα εκληφθεί ως καταχρηστική.

ΕΓΚΑΤΑΣΤΑΣΗ/ΑΦΑΙΡΕΣΗ ΤΩΝ ΜΠΑΤΑΡΙΩΝ

ΦΟΡΤΙΣΗ ΠΡΙΝ ΑΠΟ ΤΗΝ ΠΡΩΤΗ ΧΡΗΣΗ.

Χρησιμοποιείτε μόνο τις μπαταρίες και τους φορτιστές που αναφέρονται στην Εικ. Β.

ΣΗΜΕΙΩΣΗ: Για καλύτερη απόδοση, συνιστούμε τη χρήση μπαταριών της EGO 56V συνολικής απόδοσης τουλάχιστον 5,0 Ah.

Ο φυσητήρας έχει δύο θήκες ενεργών μπαταριών στην αριστερή και τη δεξιά πλευρά του περιβλήματος της θήκης μπαταριών.

ΣΗΜΕΙΩΣΗ: Ο ανεμιστήρας μπορεί να λειτουργήσει με μία ή δύο μπαταρίες. Η χρήση δύο μπαταριών παρέχει μεγαλύτερο χρόνο λειτουργίας και αποτελεσματική κατανάλωση ενέργειας χάρη στην τεχνολογία PEAK POWER™.

Εάν μια μπαταρία έχει τοποθετηθεί στη θήκη μπαταριών με την ένδειξη 1 ή 2 στην πλάκα διάταξης πλάτης, τότε θα ανάψει το αντίστοιχο εικονίδιο μπαταρίας στην οθόνη LCD (Εικ. G) μόλις ενεργοποιησετε το φυσητήρα.

G-1 Ένδειξη θέσης θήκης μπαταριών

■ **Για εγκατάσταση (Εικ. Η)**

Ευθυγραμμίστε τις νευρώσεις της μπαταρίας με τις σπές τοποθέτησης και πιέστε την μπαταρία προς τα κάτω, μέχρι να ακούσετε «κλικ». Επαναλάβετε τη διαδικασία για να τοποθετήσετε τη δεύτερη μπαταρία.

■ **Αφαίρεση (Εικ. Ι)**

Πιέστε τα κουμπιά απελευθέρωσης μπαταρίας και τραβήξτε προς τα έξω τις μπαταρίες.

⚠ ΠΡΟΕΙΔΟΠΟΙΗΣΗ: Λαμβάνετε πάντα υπόψη τη θέση των ποδιών σας, παιδιών ή κατοικίδιων όταν πιέζετε το κουμπί απελευθέρωσης μπαταρίας. Ενέχει κίνδυνος σοβαρού τραυματισμού εάν πέσει η μπαταρία. Μην αφαιρείτε ΠΟΤΕ την μπαταρία όταν βρίσκεστε σε ύψος.

ΤΟΠΟΘΕΤΗΣΗ ΤΟΥ ΦΥΣΗΤΗΡΑ ΠΛΑΤΗΣ

⚠ ΠΡΟΕΙΔΟΠΟΙΗΣΗ: Ντύνεστε κατάλληλα για τη μείωση κινδύνου τραυματισμού κατά τη λειτουργία αυτού του εργαλείου. Μην φοράτε φαρδιά ρούχα ή κοσμήματα. Φοράτε προστατευτικά γυαλιά και ωτοασπίδες. Φοράτε βαριά, μακριά παντελόνια, μπότες και γάντια. Μη φοράτε κοντά παντελόνια, σανδάλια και μην είστε ξυπόλυτοι.

Ρύθμιση του ιμάντα υποστήριξης

1. Περάστε τους βραχιονές σας μέσα από τους ιμάντες ώμου για να τοποθετήσετε τον φυσητήρα στην πλάτη σας.
2. Προσαρμόστε και τους δύο ιμάντες ώμου, προκειμένου να νιώσετε άνετα με τον φυσητήρα στην πλάτη σας (Εικ. J).
3. Κλείστε το κούμπωμα στήθους και ρυθμίστε το μήκος του εφόσον απαιτείται (Εικ. K).
4. Κουμπώστε το κούμπωμα μέσης και ρυθμίστε το μήκος του, έτσι ώστε να στηρίζεται με ασφάλεια η διάταξη πλάτης από τους γοφούς σας (Εικ. L & M).
5. Επαναρυθμίστε τους ιμάντες ώμου για ασφάλεια και άνεση. Εξασφαλίστε ότι η διάταξη πλάτης εδράζεται με ασφάλεια στην πλάτη σας, με το βάρος

να υποστηρίζεται από τον ιμάντα μέσης και χωρίς υπερβολική κίνηση όταν μετακινείστε (Εικ. N).

6. Αυξήστε το μήκος ιμάντα γύρω από τη μέση σας μέσα στο ελαστικό και στις δύο πλευρές (Εικ. O).
7. Για να βγάλετε το ηλεκτρικό εργαλείο από την πλάτη σας, απλά πιέστε τα κουμπύματα μέσης και στήθους για να τα αφαιρέσετε (Εικ. P).

Για να ρυθμίσετε τη λαβή ελέγχου

1. Απελευθερώστε το μοχλό γρήγορης αποδέσμευσης για να μετακινήσετε τη λαβή ελέγχου προς τα εμπρός ή προς τα πίσω ανάλογα με τις ανάγκες (Εικ. Q & R) και, στη συνέχεια, δεσμεύστε το μοχλό γρήγορης αποδέσμευσης για να ασφαλίσετε τη λαβή στη θέση της.
2. Μπορείτε επίσης να περιστρέψετε τη λαβή για μεγαλύτερη άνεση (Εικ. S).

Ρύθμιση μήκους του σωλήνα λαβής ελέγχου (Εικ. T1, T2)

1. Απελευθερώστε το μοχλό γρήγορης αποδέσμευσης για να μετακινήσετε το σωλήνα φυσητήρα σε κάποια άνετη θέση εργασίας.
2. Δεσμεύστε το μοχλό γρήγορης αποδέσμευσης για να ασφαλίσετε το σωλήνα φυσητήρα στη θέση του.

ΕΚΚΙΝΗΣΗ/ΔΙΑΚΟΠΗ ΤΟΥ ΦΥΣΗΤΗΡΑ

Διακόπτης ενεργοποίησης (Εικ. U1, U2)

- Πατήστε το διακόπτη-σκανδάλη για να ενεργοποιήσετε το φυσητήρα. Η οθόνη LCD προβάλλει το δείκτη στάθμης καυσίμου, το εικονίδιο μπαταρίας, και την ένδειξη ταχύτητας αέρα.
- Η ταχύτητα αέρα του φυσητήρα ελέγχεται με το διακόπτη-σκανδάλη. Όσο περισσότερο πιέζεται ο διακόπτη-σκανδάλη, τόσο περισσότερος αέρας βγαίνει από το ακροφύσιο. Ρυθμίστε την ταχύτητα ώστε να ανταποκρίνεται στην εν λόγω εργασία. Το αντίστοιχο εικονίδιο ταχύτητας αέρα εμφανίζεται στην οθόνη LCD.
- Αποδεσμεύστε τη σκανδάλη για να απενεργοποιήσετε τον φυσητήρα. Μετά από 6 δευτερόλεπτα, η οθόνη LCD σβήνει.

Λειτουργία Turbo

Με πατημένη τη σκανδάλη, πατήστε το κουμπί Turbo για να μεγιστοποιήσετε τη ροή αέρα (Εικ. U1). Στην οθόνη LCD εμφανίζονται η ένδειξη Turbo και το εικονίδιο του ανεμιστήρα (Εικ. U3).

ΣΗΜΕΙΩΣΗ: Ο φυσητήρας επιστρέφει στην προηγούμενη ταχύτητα μόλις αποδεσμευτεί το κουμπί Turbo.

Μοντέλο ελέγχου πορείας

Η λειτουργία ελέγχου πορείας παρέχει ενέργειες χωρίς διακόπτη-σκανδάλη.

Ενεργοποίηση λειτουργίας ελέγχου πορείας:

1. Πατήστε και διατηρήστε πατημένο το διακόπτη-σκανδάλη στην επιθυμητή ταχύτητα (Εικ. U1).
2. Πατήστε το κουμπί ελέγχου πορείας. Αποδεσμεύστε το κουμπί μόλις εμφανιστεί το εικονίδιο ελέγχου πορείας στην οθόνη LCD (Εικ. U4).
3. Αποδεσμεύστε το διακόπτη-σκανδάλη. Ο φυσητήρας συνεχίζει να λειτουργεί.

Με το πάτημα του κουμπιού Turbo στη λειτουργία ελέγχου πορείας μπορεί να αυξηθεί προσωρινά στο μέγιστο επίπεδο η ταχύτητα αέρα. Ο φυσητήρας συνεχίζει τη λειτουργία του με την προηγούμενη ταχύτητα μόλις αποδεσμευτεί το κουμπί Turbo.

Απενεργοποίηση λειτουργίας ελέγχου πορείας:

Πατήστε ξανά το κουμπί ελέγχου πορείας για να απενεργοποιήσετε τη λειτουργία ελέγχου πορείας. Το εικονίδιο ελέγχου πορεία εξαφανίζεται από την οθόνη LCD.

Συμβουλές για τη χρήση του φυσητήρα

- Χρησιμοποιείτε τσουγκράνες ή σκούπες για να αφρατέψετε τους ρύπους πριν το φύσημα. Σε συνθήκες με σκόνη βρέξτε ελαφρά τις επιφάνειες εάν υπάρχει διαθέσιμο νερό.
- Προσέχετε για παιδιά, κατοικίδια, ανοιχτά παράθυρα ή φρεσκοπλυμένα αυτοκίνητα και φυσάτε τα υπολείμματα με ασφάλεια μακριά.
- Μετά τη χρήση φυσητήρων ή άλλων εξοπλισμών, καθαρίζετε!

είναι ευπαθή στη χρήση διαφόρων τύπων διαλυτών του εμπορίου και καταστρέφονται από τη χρήση τους. Χρησιμοποιείτε καθαρό πανί για την απομάκρυνση βρωμιάς, σκόνης, λαδιού, γράσου, κτλ.

⚠ ΠΡΟΕΙΔΟΠΟΙΗΣΗ: Τα πλαστικά εξαρτήματα δεν πρέπει να έρθουν ποτέ σε επαφή με υγρά φρένων, βενζίνη, πετρελαϊκά προϊόντα, δεισδυτικά λάδια, κτλ. Τα χημικά μπορούν να φθείρουν, να αποδυναμώσουν ή να καταστρέψουν τα πλαστικά εξαρτήματα με κίνδυνο σοβαρού τραυματισμού.

ΑΠΟΘΗΚΕΥΣΗ

- Αφαιρέστε την μπαταρία από τον φυσητήρα.
- Καθαρίζετε όλα τα ξένα υλικά από τις εισόδους αέρα του φυσητήρα.
- Ευθυγραμμίστε το κουμπί αποθήκευσης σωλήνα φυσητήρα με την εγκοπή ανάρτησης σωλήνα και αγκιστρώστε το σωλήνα φυσητήρα πάνω στο περίβλημα της θήκης μπαταριών (Εικ. W & X).
- Αποθηκεύστε σε κλειστό χώρο όπου δεν πλησιάζουν παιδιά. Να διατηρείται μακριά από διαβρωτικές ουσίες, όπως χημικές ουσίες και αποπαγωτικά άλατα κήπου.

V-1	Κουμπί αποθήκευσης σωλήνα φυσητήρα
V-2	Εγκοπή ανάρτησης σωλήνα

Προστασία του περιβάλλοντος



Μην απορρίπτετε ηλεκτρικό εξοπλισμό, παλιές μπαταρίες και φορτιστές στα οικιακά απορρίμματα!

Μεταφέρετε αυτό το προϊόν σε εξουσιοδοτημένο κέντρο ανακύκλωσης και παραδώστε το για ξεχωριστή συλλογή. Τα ηλεκτρικά εργαλεία πρέπει να επιστρέφονται σε περιβαλλοντικά συμβατή μονάδα ανακύκλωσης.

GR

ΣΥΝΤΗΡΗΣΗ

⚠ ΠΡΟΕΙΔΟΠΟΙΗΣΗ: Κατά τη συντήρηση του εργαλείου, χρησιμοποιείτε μόνο όμοια ανταλλακτικά. Η χρήση οποιωνδήποτε άλλων εξαρτημάτων μπορεί να προκαλέσει κίνδυνο ή υλικές ζημιές. Για να διασφαλιστεί η ασφάλεια και η αξιοπιστία, όλες οι επισκευές πρέπει να διεξάγονται από εξειδικευμένο τεχνικό σέρβις.

⚠ ΠΡΟΕΙΔΟΠΟΙΗΣΗ: Για την αποφυγή σοβαρού τραυματισμού, αφαιρείτε πάντοτε τη μπαταρία από το προϊόν πριν από τον καθαρισμό ή οποιαδήποτε συντήρηση.

ΓΕΝΙΚΗ ΣΥΝΤΗΡΗΣΗ

Αποφεύγετε τη χρήση διαλυτών κατά τον καθαρισμό των πλαστικών εξαρτημάτων. Τα περισσότερα πλαστικά

ΑΝΤΙΜΕΤΩΠΙΣΗ ΠΡΟΒΛΗΜΑΤΩΝ

ΠΡΟΒΛΗΜΑ	ΑΙΤΙΑ	ΑΝΤΙΜΕΤΩΠΙΣΗ
Ο φυσητήρας δεν λειτουργεί.	<ul style="list-style-type: none"> ■ Καμία ηλεκτρική επαφή μεταξύ του φυσητήρα και των μπαταριών. ■ Οι μπαταρίες έχουν εξαντληθεί. ■ Οι μπαταρίες ή ο φυσητήρας είναι πολύ ζεστός. 	<ul style="list-style-type: none"> ■ Αφαιρέστε την μπαταρία, ελέγξτε τις επαφές και επαναποθετήστε την μπαταρία. ■ Φορτίστε τις μπαταρίες. ■ Αφήστε τις μπαταρίες να κρυώσουν, ώσπου η θερμοκρασία να πέσει κάτω από τους 67°C.
Η ταχύτητα του αέρα μειώνεται σημαντικά.	<ul style="list-style-type: none"> ■ Η είσοδος αέρα έχει φράξει από ακαθαρσίες. ■ Έχει φθαρεί υπερβολικά ο ανεμιστήρας του μοτέρ. 	<ul style="list-style-type: none"> ■ Αφαιρέστε τις μπαταρίες και καθαρίστε τα υπολείμματα. ■ Επικοινωνήστε με το κέντρο σέρβις της EGO για επισκευή.
Σφάλμα οθόνης LCD.	<ul style="list-style-type: none"> ■ Το συγκρότημα LCD παρουσιάζει βλάβη ή κακή σύνδεση καλωδίων του συγκροτήματος LCD. 	<ul style="list-style-type: none"> ■ Επικοινωνήστε με το κέντρο σέρβις της EGO για επισκευή.

ΕΓΓΥΗΣΗ

ΠΟΛΙΤΙΚΗ ΕΓΓΥΗΣΗΣ EGO

Επισκεφθείτε την ιστοσελίδα egopowerplus.com για όλους τους όρους και τις προϋποθέσεις της πολιτικής εγγύησης EGO.

GR

TÜM TALIMATLARI OKUYUN!



KULLANIM KILAVUZUNU OKUYUN

DİKKAT: Bu talimatlara alternatif bir formatta da (ör. web sitesi üzerinden) ulaşılabilir.

⚠ Artık risk! Kalp pili gibi elektronik cihazlar kullanan kişiler bu ürünü kullanmadan önce doktorlarına danışmalıdır. Elektrikli cihazların, kalp pili yakınında çalıştırılması kalp pilinde parazite veya arızaya neden olabilir.

⚠ UYARI: Emniyet ve güvenlik için tüm onarım ve değiştirme işlemleri yetkili bir servis teknisyeni tarafından gerçekleştirilmelidir.

GÜVENLİK SEMBOLLERİ

Güvenlik sembollerinin amacı olası tehlikelere dikkatinizi çekmektir. Güvenlik sembolleri ve yanlarındaki açıklamalar özel dikkat ve anlayış göstermenizi gerektirir. Uyarı sembolleri kendi başlarına herhangi bir tehlikeyi gidermez. Sembollerde belirtilen talimatlar ve uyarılar uygun kaza önleme tedbirlerinin yerine geçmez.

⚠ UYARI: Bu aleti kullanmadan önce **"TEHLİKE," "UYARI"** ve **"DİKKAT"** gibi tüm güvenlik uyarı ve sembollerini içeren bu Kullanım Kılavuzundaki tüm güvenlik talimatlarını okuyup anladığınızdan emin olun. Aşağıdaki talimatların tamamına uyulmaması elektrik çarpması, yangın ve/veya ciddi yaralanma ile sonuçlanabilir.

HASAR ÖNLEME VE BİLGİ MESAJLARI

Bu mesajlar kullanıcıyı önemli bilgiler ve/veya izlenmediği takdirde cihazda veya diğer eşyalarda hasara yol açabilecek talimatlar hakkında bilgilendirir. Aşağıdaki örnekte olduğu gibi, her mesajın başında **"DİKKAT"** sözcüğü bulunur:

DİKKAT: Bu talimatlara uyulmaması cihazda ve/veya diğer eşyalarda hasara yol açabilir.



⚠ UYARI: Elektrikli aletler kullanılırken yabancı nesnelere gözlerinize fırlatabilir ve bu da gözlerinize ciddi biçimde zarar verebilir. Elektrikli aleti kullanmaya başlamadan önce daima göz koruması veya yan siperleri olan koruyucu gözlük takın ve gerektiğinde tam yüz siperi kullanın. Gözlük üzerinde kullanım için Geniş Görüşlü Güvenlik Maskesi takmanızı veya yan siperleri olan standart koruyucu gözlük takmanızı öneririz.

GÜVENLİK TALIMATLARI

Bu sayfada, bu ürün üzerinde görülebilecek güvenlik sembolleri gösterilmekte ve açıklanmaktadır. Makineyi monte etmeye ve kullanmaya başlamadan önce, makineye ilişkin tüm talimatları okuyup anlayın ve bu talimatlara uyun.



Güvenlik Uyarısı



Bu ürünü kullanırken daima göz koruması, yan siperleri olan koruyucu gözlük ya da tam yüz maskesi takın.



Bu ürünü kullanırken daima kulak koruması kullanın.



Yaralanma riskini azaltmak için kullanıcı bu ürünü kullanmadan önce kullanım kılavuzunu okumalıdır.



Çevredeki herkesi en az 15 metre uzakta tutun.



Bu ürün, yürürlükteki AB yönetmeliklerine uygundur.



Bu ürün, yürürlükteki Birleşik Krallık yasalarına uygundur.



Atık elektrikli ürünler, evsel atıklar ile birlikte bertaraf edilmemelidir. Yetkili bir geri dönüşüm merkezine teslim edilmelidir.

V Volt

A Amper

Hz Hertz

W Watt

dk. Dakika

m³/sa. Metre Küp/Saat

km/sa. Saat Başına Kilometre

Doğru Akım


n₀ Yüksüz Hız

... /dk. Dakika Başına

IPX5 Su Jetlerinden Koruma

TR

TEKNİK ÖZELLİKLER

Voltaaj	56 V 
Maksimum Hava Hacmi	1360 m ³ /sa.
Maksimum Hava Hızı	85 m/sn.
Maksimum Üfleme Kuvveti	26 N
Önerilen Çalışma Sıcaklığı	-15°C - 40°C
Önerilen Depolama Sıcaklığı	-20°C - 70°C
Üfleyci Ağırlığı (Batarya ile boru hariç)	7,4 kg
Ölçülen ses gücü düzeyi L _{WA}	97 dB(A) K=1,2 dB(A)
Operatörün kulağındaki ses basıncı seviyesi L _{PA}	86,2 dB(A) K=2,5 dB(A)
Garantili ses gücü seviyesi L _{WA} (2000/14/EC'ye göre)	98 dB(A)
Titreşim a _h	0,4 m/s ² K=1,5 m/s ²

- Beyan edilen toplam titreşim değeri, standart test yöntemine uygun olarak ölçülmüştür ve bir aleti diğer bir alet ile karşılaştırmak için kullanılabilir.
- Beyan edilen toplam titreşim değeri, maruz kalma seviyesinin ilk değerlendirmesi için de kullanılabilir.

DİKKAT: Elektrikli aletin fiili kullanımı sırasında oluşan titreşim emisyonu değeri aletin kullanım şekline bağlı olarak beyan edilen değerden farklı olabilir. Operatör korunmak için fiili kullanım koşullarında eldiven ve kulak koruması takmalıdır.

AMBALAJ İÇERİĞİ (ŞEK. A1)

TR

AÇIKLAMA

ÜFLEYİCİNİZİ TANIYIN (Şek. A1 ve A2)

1. Tutma kolu
2. Batarya Çıkarma Düğmeleri
3. Mandal
4. Elektrik Kontakları
5. Destek Kolu
6. Hava Girişi
7. Körük
8. Kontrol Kolu Borusu
9. Üfleyci Borusu

10. Kontrol Kolu
11. Sırt Çantası Plakası
12. Üfleyci Borusu Depolama Topuzu
13. Ayarlanabilir Destek Kemerli
14. Konik Uç
15. Hız Sabitleme Düğmesi
16. LCD Ekran
17. Turbo Düğmesi
18. Tetik
19. Boru Asma Oluğu
20. Hızlı Çıkarma Kolu
21. Enerji Seviyesi Göstergesi
22. Fan Simgesi
23. Turbo Göstergesi
24. Hava Hızı Göstergesi
25. Hız Sabitleme Simgesi
26. Batarya Simgesi

⚠ UYARI: Bu ürünün güvenli şekilde kullanılması, proje bilgisinin yanı sıra alet üzerinde ve bu kullanıcı kılavuzunda yer alan bilgilerin anlaşılmasını gerektirir. Bu ürünü kullanmadan önce, tüm çalışma özelliklerini ve güvenlik kurallarını öğrenin.

MONTAJ

⚠ UYARI: Hasarlı veya eksik parça varsa bu parçalar değiştirilinceye kadar ürünü çalıştırmayın. Bu ürünün hasarlı veya eksik parçalar ile kullanılması ciddi yaralanmalara yol açabilir.

⚠ UYARI: Bu ürün üzerinde değişiklik yapmaya veya bu üfleyci ile kullanılması önerilmeyen aksesuarlar oluşturmaya çalışmayın. Bu tür değişiklikler veya modifikasyonlar hatalı kullanımdır ve ciddi yaralanmalara neden olabilen tehlikeli bir duruma sebep olabilir.

⚠ UYARI: Ciddi yaralanmalara neden olabilen yanlışlıkla çalıştırmayı önlemek için parçaları monte ederken bataryayı her zaman aletten çıkarın.

ÜFLEYİCİ BORULARININ MONTAJI

Kontrol Kolu Boru Tertibatını Körüğe Bağlama (Şek. C)

1. Kontrol kolu borusunun üst ucunu gidebildiği kadar körüğe sokun.
2. Körük üzerindeki sıkma halkasındaki vidayı tamamen sıkın.

C-1	Sıkma Halkası
C-2	Vida

Üfleyci Borusunu Kontrol Kolu Borusuna Bağlama (Şek. D)

1. Üfleyci borusuna sabitlenmiş boru kelepçesi tertibatından hızlı çıkarma kolunu ve kelebek somunu gevşetin ve çıkarın.

D-1	Boru Kelepçesi
D-2	Kelebek Somunu

2. Üfleyci borusundaki olukla kontrol kolu borusundaki dişi hizalayın, üfleyci borusunu kontrol kolu borusu üzerinde gidebildiği kadar kaydırın.
3. Hızlı çıkarma kolunun pimini takın ve kolu boru kelepçesine kapatın.
4. Boru kelepçesini yerine sabitlemek için kelebek somunu sıkın.

Konik Ucu Üfleyci Borusuna Bağlama (Şek. E, F)

1. Uçtaki oluğu borudaki mandalla hizalayın. Ucu, güvenli bir şekilde yerine oturana kadar borunun üzerine itin.
2. Ucu çıkarmak için uç çıkarma düğmesini basılı tutarak mandalı boşa alın, ardından ucu üfleyci borudan çekip çıkarın.

E-1	Uç Çıkarma Düğmesi
E-2	Mandal

ÇALIŞTIRMA

⚠ UYARI: Bu ürüne karşı edindiğiniz alışkanlığın sizi dikkatsiz yapmasına izin vermeyin. Bir anlık dikkatsizliğin ciddi yaralanmalara sebep olabileceğini unutmayın.

⚠ UYARI: Bu ürünün üreticisi tarafından önerilmeyen herhangi bir aparatı veya aksesuarı kullanmayın. Tavsiye edilmeyen aksesuarların veya aparatların kullanımı ciddi kişisel yaralanmalara sebep olabilir.

⚠ UYARI: Parçaları monte ederken, ayar yaparken, temizlik yaparken veya ürün kullanımında değilken bataryayı her zaman üründen çıkarın. Bataryanın çıkarılması, ciddi yaralanmalara neden olabilen yanlışlıkla çalışmayı önler. Her kullanımdan önce ürünü inceleyerek vida, somun, civata, kapak gibi parçaların hasarlı, eksik veya gevşek olup olmadığını kontrol edin. Tüm bağlantı parçalarını ve kapakları sıkın, bu ürünü eksik veya hasarlı parçalar değiştirilmeden çalıştırmayın.

⚠ UYARI: Acil bir durumda karşılaşırsanız, üfleyciyi çıkarmak için göğüs tokasını düz bir şekilde ayırın.

UYGULAMA

Bu ürünü aşağıda belirtilen amaçlar için kullanabilirsiniz:

- Araba yolları ve kaldırımlar gibi sert yüzeylerin temizlenmesi.
- Yüzey ve araba yollarının yapraklardan ve çam yapraklarından temizlenmesi.

DİKKAT: Bu alet sadece belirtilen kullanım amacına uygun kullanılmalıdır. Diğer kullanım şekilleri hatalı kullanım olarak kabul edilir.

BATARYALARI TAKMA/ÇIKARMA

İLK KULLANIMDAN ÖNCE ŞARJ EDİN.

Ürünü sadece şek. B'de listelenen bataryalar ve şarj cihazlarıyla kullanın.

DİKKAT: En iyi performansı elde etmek için 5,0 Ah değerinden daha yüksek kapasiteli herhangi bir EGO 56V batarya kullanmanızı öneririz.

Üfleyci, batarya bölmesi muhafazasının sol ve sağ tarafında iki aktif batarya bölmesine sahiptir.

NOT: Üfleyci bir veya iki batarya ile çalışabilir. İki batarya kullandığınızda daha uzun çalışma süresi ve PEAK POWER™ teknolojisi tarafından yönetilen verimli güç tüketimi elde edersiniz.

Sırt çantası plakasında 1 veya 2 ile işaretlenmiş batarya bölmesine bir batarya takılmışsa üfleyciyi açtıktan sonra LCD ekranda (Şek. G) ilgili batarya simgesi yanar.

G-1	Batarya Bölmesi Konum İşareti
-----	-------------------------------

■ Takmak için (Şek. H)

Bataryanın tırnakları ile montaj yuvalarını hizalayın ve "klik" sesi duyana kadar bataryayı aşağıya bastırın. İkinci bataryayı takmak için işlemi tekrarlayın.

■ Çıkarmak için (Şek. I)

Batarya çıkarma düğmelerine basın ve bataryaları dışarı çekin.

⚠ UYARI: Batarya çıkarma düğmesine basarken daima ayaklarınızı, çocukların veya evcil hayvanların konumuna dikkat edin. Batarya düşerse ciddi yaralanmaya neden olabilir. Yüksek bir konumdayken bataryayı ASLA çıkarmayın.

TR

SIRT TIPI ÜFLEYİCİNİN KONUMLANDIRILMASI

⚠ UYARI: Bu cihazı kullanırken yaralanma riskini azaltmak için uygun şekilde giyinin. Bol giysiler giymeyin veya takı takmayın. Göz ve kulak/işitme koruması kullanın. Dayanıklı, uzun pantolon, eldiven ve bot giyin. Kısa pantolon, sandalet giymeyin veya çıplak ayakla çalışmayın.

Destek Kemerini Ayarlamak İçin

1. Sırtınızdaki üfleyiciyi desteklemek için kollarınızı omuz kayışlarından geçirin.
2. Sırtınızdaki üfleyici ile kendinizi rahat hissedene kadar her iki omuz askısını da ayarlayın (Şek. J).
3. Göğüs tokasını kapatın ve gerekirse uzunluğunu ayarlayın (Şek. K).
4. Bel tokasını kapatın ve uzunluğunu ayarlayarak sırt çantasının kalçalarınız tarafından güvenli bir şekilde desteklenmesini sağlayın (Şek. L ve M).
5. Güvenlik ve konfor için omuz askılarını tekrar ayarlayın. Sırt çantasının sırtınıza güvenli bir şekilde oturduğundan emin olun. Ağırılık bel kayışı tarafından desteklenmeli ve hareket ettiğinizde üfleyici de aşırı hareket etmemelidir (Şek. N).
6. Fazla kayış ucunu her iki tarafa elastik bant içine yerleştirin (Şek. O).
7. Aleti sırtınızdan çıkarmak için bel ve göğüs tokalarına basmanız yeterlidir (Şek. P).

Kontrol Kolunu Ayarlamak İçin

1. Kontrol kolunu gerektiği gibi ileri veya geri hareket ettirmek için hızlı çıkarma kolunu bırakın (Şek. Q ve R) ve ardından tutma kolunu yerine sabitlemek için hızlı çıkarma kolunu bağlayın.
2. Ayrıca rahatlık sağlama için tutma kolunu gerektiği gibi döndürebilirsiniz (Şek. S).

TR

Kontrol Kolu Borusunun Uzunluğunu Ayarlamak İçin (Şek. T1, T2)

1. Üfleyici borusunu rahat bir çalışma konumuna getirmek için hızlı çıkarma kolunu bırakın.
2. Üfleyici borusunu yerine sabitlemek için hızlı çıkarma kolunu devreye alın.

ÜFLEYİCİYİ ÇALIŞTIRMA/DURDURMA

Tetik (Şek. U1, U2)

- Üfleyiciyi çalıştırmak için tetiğe basın. LCD ekranda enerji göstergesi, batarya simgesi, hava hızı göstergesi görüntülenir.
- Üfleyicinin hava hızı tetikle kontrol edilir. Tetik ne kadar fazla basılırsa, uçtan o kadar fazla hava çıkar.

Yapacağınız işe uygun şekilde hızı ayarlayın. LCD ekranda ilgili hava hızı simgesi görüntülenir.

- Üfleyiciyi kapatmak için tetiği bırakın. 6 saniye sonra LCD ekran kapanır.

Turbo Modu

Tetik basılıyken hava akışını en üst seviyeye çıkarmak için turbo düğmesine basın (Şek. U1). LCD ekranda turbo göstergesi ve fan simgesi yanar (Şek. U3).

NOT: Turbo düğmesi bırakıldığında üfleyici önceki hıza döner.

Hız Sabitleme Modeli

Hız sabitleme modu, tetik olmadan aleti çalıştırmayı sağlar.

Hız sabitleme modunu etkinleştirmek için:

1. Tetiği istenen hıza basılı tutun (Şek. U1).
2. Hız sabitleme düğmesine basın. LCD ekranda hız sabitleme simgesi görüldükten sonra düğmeyi bırakın (Şek. U4).
3. Tetiği bıraktığınızda üfleyici çalışmaya devam eder.

Hız sabitleme modunda turbo düğmesine bastığınızda hava hızı geçici olarak maksimum seviyeye çıkabilir. Turbo düğmesi bırakıldığında fan önceki hıza geri döner.

Hız sabitleme modunu devre dışı bırakmak için:

Hız sabitleme modunu devre dışı bırakmak için hız sabitleme düğmesine tekrar basın. LCD ekrandaki hız sabitleme simgesi kaybolur.

Üfleyicinin Kullanımına İlişkin İpuçları

- Üfleme öncesinde birikintileri gevşetmek için tırnak ve süpürge kullanın. Tozlu koşullarda, varsa suyla yüzeyleri hafifçe nemlendirin.
- Çocuklara, evcil hayvanlara, açık pencere veya yeni yıkanmış araçlara dikkat edin ve birikintileri güvenli biçimde uzağa üfleyin.
- Üfleyicileri veya diğer cihazları kullandıktan sonra temizleyin!

BAKIM

⚠ UYARI: Bakım yaparken sadece orijinal yedek parçaları kullanın. Diğer parçaların kullanılması tehlike oluşturabilir veya ürünün hasar görmesine neden olabilir. Emniyet ve güvenilirliği sağlamak için tüm tamir işleri yetkili bir servis teknisyeni tarafından yapılmalıdır.

⚠ UYARI: Ciddi yaralanmaları önlemek için temizlik veya bakım işlemi gerçekleştirirken bataryayı her zaman üründen çıkarın.

GENEL BAKIM

Plastik parçaları temizlerken çözücü maddeler kullanmaktan kaçının. Çoğu plastik malzeme çeşitli ticari çözücü türlerinden etkilenmeye yatkındır ve bu çözücü maddelerin kullanılması durumunda zarar görebilirler. Kir, toz, yağ, gres vb. gidermek için temiz bez kullanın.

⚠ UYARI: Fren sıvıları, benzin, petrol bazlı ürünler, nüfuz eden yağlar gibi ürünlerin plastik parçalarla hiçbir zaman temas etmesine izin vermeyin. Kimyasal maddeler plastik parçalara hasar verebilir, bu tür parçaları zayıflatabilir veya parçalayabilir ve bu durum ciddi yaralanmalara neden olabilir.

DEPOLAMA

- Bataryayı üfleyciden çıkarın.
- Üfleycinin hava deliklerindeki tüm yabancı maddeleri temizleyin.
- Üfleyci borusu depolama topuzunu boru asma oluğu ile hizalayın ve üfleyci borusunu batarya bölümü muhafazasının üzerine asın (Şek. V ve W).
- Üfleyciyi çocukların ulaşamayacağı kapalı bir yerde saklayın. Bahçe kimyasalları ve eritici tuzlar gibi aşındırıcı maddelerden uzak tutun.

V-1	Üfleyci Borusu Depolama Topuzu
V-2	Boru Asma Oluğu

Çevre koruması



Elektrikli cihazları, kullanılmış bataryayı ve şarj cihazını evsel atıklarla bertaraf etmeyin!

Bu ürünü yetkili bir geri dönüşüm merkezine götürün ve ayrı bir şekilde toplanmasını sağlayın. Elektrikli aletler çevreyle uyumlu bir geri dönüşüm tesisine götürülmelidir.

TR



SORUN GİDERME

SORUN	NEDENİ	ÇÖZÜM
Üfleyici çalışmıyor.	<ul style="list-style-type: none">■ Üfleyici ile batarya arasında elektrik kontağı yoktur.■ Bataryalar boşalmıştır.■ Batarya veya üfleyici çok sıcaktır.	<ul style="list-style-type: none">■ Bataryayı çıkarın, kontak noktalarını kontrol edin ve bataryayı yeniden takın.■ Bataryaları şarj edin.■ Bataryaları ve üfleyiciyi sıcaklığı 67 °C'nin altına düşene kadar soğutun.
Hava hızı önemli ölçüde azalıyor.	<ul style="list-style-type: none">■ Hava girişi birikintiler nedeniyle tıkanmıştır.■ Motor fanı aşırı yıpranmıştır.	<ul style="list-style-type: none">■ Bataryaları çıkarın ve kalıntıları temizleyin.■ Onarım için EGO servis merkeziyle irtibata geçin.
LCD Ekran Hatası.	<ul style="list-style-type: none">■ LCD tertibatı veya LCD tertibatının kablo bağlantısı bozuktur.	<ul style="list-style-type: none">■ Onarım için EGO servis merkeziyle irtibata geçin.

GARANTİ

EGO GARANTİ POLİTİKASI

EGO Garanti Politikasına ilişkin tüm hükümler ve koşullar için lütfen egopowerplus.com adresindeki web sitemizi ziyaret edin.

TR

160

56 VOLT LİTYUM-İYON KABLOSUZ SIRT TİPİ ÜFLEYİCİ — LBP8000E

LUGEGE KÕIKI JUHISEID!



LUGEGE KASUTUSJUHENDIT

MÄRKUS! See juhend on saadaval ka teistsuguses vormingus, nt kodulehel.

⚠️ Kaasnev risk! Inimesed, kes kasutavad elektroonilisi seadmeid, nt südamestimulaatorit, peaksid enne selle toote kasutamist konsulteerima oma arsti(de)ga. Elektriseadmete kasutamine südamestimulaatori läheduses võib põhjustada südamestimulaatori häireid või rikkeid.

⚠️ HOIATUS! Ohutuse ja töökindluse tagamiseks tohivad seda seadet remontida ainult vastava kvalifikatsiooniga hooldustehnikud.

OHUTUSSÜMBOLID

Ohutussümbolite eesmärk on pöörata tähelepanu võimalikele ohtudele. Ohutussümbolitele ja nende juures olevatele seletustele tuleb korralikult tähelepanu pöörata ja need endale selgeks teha. Ohutussümbolid iseenesest ei kõrvalda ohtu. Nendega kaasnevad juhendid ja hoiatused ei asenda asjakohaseid õnnetuste ennetamise meetmeid.

⚠️ HOIATUS! Enne käesoleva seadme kasutamist lugege kindlasti läbi ja tehke endale selgeks kõik kasutusjuhendis toodud ohutusjuhised, sh kõik ohutussümbolid, nagu „OHT,” „HOIATUS,” ja „ETTEVAATUST”. Kui te ei järgi kõiki allpool toodud juhiseid, võib tekkida elektrilöögi, tulekahju ja/või raske kehavigastuse oht.

KAHJUENNETUS JA INFOSÕNUMID

Need annavad kasutajale olulist teavet ja/või juhiseid, mille mittejärgimine võib põhjustada seadmete või muu vara kahjustusi. Igale sõnumile eelneb märg „MÄRKUS”, nagu alltoodud näites.

MÄRKUS! Nende juhiste mittejärgimisega võib kaasneda seadme- ja/või varakahjude oht.



⚠️ HOIATUS! Mis tahes elektriliste tööriistade kasutamine võib põhjustada võõrkehade paiskumist silma, mis võib tekitada tõsiseid silmakahjustusi. Elektriliste tööriistade kasutamise ajal kandke alati kaitseprille või külgkaitsetega kaitseprille ja vajadusel täielikku näokaitset. Soovitame kanda prillide peal laia vaatealaga kaitsemaski või standardseid külgkaitsetega kaitseprille.

OHUTUSJUHISED

Sel lehel on kujutatud ja kirjeldatud ohutussümboliteid, mida võib käesolevalt tootelt leida. Enne, kui üritate masinat kokku panna ja kasutada, lugege, tehke omale selgeks ja järgige kõiki juhiseid.



Ohutusteade



Kandke selle toote kasutamise ajal alati kaitseprille või külgkaitsmetega kaitseprille ja täielikku näokaitset.



Kasutage seadmega töötades alati kuulmiskaitset.



Vigastusohu vähendamiseks peab kasutaja enne toote kasutamist kasutusjuhendit lugema.



Ärge laske teistel isikutel tulla töötavale seadmele lähemale kui 15 meetrit.



Toode vastab kohaldatavatele EÜ direktiividele.



Toode vastab kohaldatavatele Ühendkuningriigi õigusaktidele.



Elektriseadmete jäätmeid ei tohi visata olmejäätmete hulka. Viige volitatud taaskäitleja juurde.

V Volti

A Amprit

Hz Hertsi

W Vatti

min Minutit

m³/h Kuupmeetrit tunnis

km/h Kilomeetrit tunnis

Alalisvool

n₀ Tühikäigu kiirus

.../min Minutis

IPX5 Kaitse veejuga eest

ET

SPETSIFIKATSIOONID

Pinge	56 V
Maksimaalne õhumaht	1360 m ³ /h
Maksimaalne õhukiirus	85 m/s
Maksimaalne puhumisjõud	26 N
Soovituslik töökeskkonna temperatuur	-15°C kuni 40°C
Soovituslik hoiustamise temperatuur	-20°C kuni 70°C
Puhuri kaal (ilma akuta koos toruga)	7,4 kg
Mõõdetud helivõimsuse tase L _{WA}	97 dB(A) K=1,2 dB(A)
Helivõimsuse tase operaatori kõrva juures L _{PA}	86,2 dB(A) K=2,5 dB(A)
Garanteeritud helivõimsuse tase L _{WA} (vastavalt direktiivile 2000/14/EÜ)	98 dB(A)
Vibratsioon a _n	0,4 m/s ² K=1,5 m/s ²

- Esitatud vibratsioonitaseme näit on mõõdetud standardsete testmeetodite kohaselt ja seda võib kasutada erinevate tööriistade võrdlemiseks.
- Esitatud vibratsioonitaseme näitu võib kasutada ka algse kokkupuutehinnangu andmiseks.

MÄRKUS! Tegelikul kasutamisel tekkiv vibratsioonitase võib esitatust erineda; turvalisuse eesmärgil peaks seadme kasutaja tegelikes kasutustingimustes kandma kindaid ja kuulmiskaitsmeid.

PAKKELEHT (JONIS A1)

KIRJELDUS

TUNNE OMA PUHURIT (joonised A1 ja A2)

1. Käepide
2. Akuvabastusnupud
3. Lukusti
4. Klemmid
5. Abikäepide
6. Õhu sissevõtuava
7. Lööts
8. Juhtkäepideme toru

9. Puhuritoru
10. Juhtkäepide
11. Ranitsaplaat
12. Puhuritoru hoiunupp
13. Reguleeritavad tugirakmed
14. Koonusotsak
15. Kiirushoidiku nupp
16. LCD-ekraan
17. Turbonupp
18. Päästik
19. Toru riputussoon
20. Kiirvabastushoob
21. Kütusemöödik
22. Ventilatori ikoon
23. Turbokiiruse märgutuli
24. Õhukiiruse näidik
25. Kiirushoidiku ikoon
26. Aku ikoon

⚠ HOIATUS! Selle seadme ohutuks kasutamiseks tuleb nii tootele kantud kui ka käesolevas juhendis sisalduvast teabest aru saada ning mõista ka teostatava töö aluseid. Enne toote kasutamist tutvuge selle funktsioonidega ja ohutusreeglitega.

KOKKUPANEK

⚠ HOIATUS! Kui mõni osa on kahjustatud või puudub, ärge kasutage toodet enne, kui see osa on asendatud. Kui kasutate kahjustatud või vajalike komponentideta seadet, võite saada raskeid vigastusi.

⚠ HOIATUS! Ärge üritage seadet ümber ehitada ega kasutada lisaseadmeid, mis pole mõeldud selle seadmega koos kasutamiseks. Kõik niisugused muudatused loetakse väärkasutuseks ja need võivad põhjustada ohtlikke olukordi, mis võivad lõppeda raskete vigastustega.

⚠ HOIATUS! Et vältida raskeid vigastusi põhjustada võivat juhuslikku käivitumist, eemaldage seadmeosade kokkupaneku ajaks alati akuplokk.

PUHURITORUDE KOKKUPANEK

Juhtkäepideme torukomplekti ühendamine löötsaga (joonis C)

1. Sisestage juhtkäepideme toru ülemine ots löötsa nii kaugele, kui see ulatub.
2. Pingutage kruvi löötsa kinnitusrõngas lõpuni.

ET

C-1	Kinnitusrõngas
C-2	Kruvi

Puhuritoru ühendamine juhtkäepideme toruga (joonis D)

1. Lõdvendage ja eemaldage puhuritoru külge kinnitatud toruklambrite koostu kiirvabastushoob ja tiibmutter.

D-1	Toruklamber
D-2	Tiibmutter

2. Joondage puhuritoru soon juhtkäepideme torul oleva ribiga, libistage puhuritoru üle juhtkäepideme toru nii kaugele, kui see ulatub.
3. Sisestage kiirvabastushoova tihvt ja sulgege hoob toruklambriks.
4. Pingutage tiibmutter, et kinnitada toruklamber oma kohale.

Koonusotsaku ühendamine puhuritoruga (joonised E, F)

1. Joondage otsaku soon torul oleva lukustiga. Lükake otsakut üle toru, kuni see kindlalt kohale klõpsatab.
2. Otsaku eemaldamiseks vajutage otsaku vabastusnuppu ja hoidke seda all, et lukusti vabastada, seejärel tõmmake otsak otse puhuritoru küljest ära.

E-1	Otsaku vabastusnupp
E-2	Lukusti

SEADME KASUTAMINE

⚠ HOIATUS! Ärge muutuge toodet tundma õppides hooletuks. Pidage meeles, et raskeid vigastusi põhjustavaks õnnetuseks piisab ka sekundi murdosa pikkusest tähelepanematusast.

⚠ HOIATUS! Ärge kasutage lisaseadmeid või -tarvikuid, mida selle seadme valmistaja pole soovitanud. Mittesoovituslike lisaseadmete või -tarvikute kasutamine võib põhjustada raskeid kehavigastusi.

⚠ HOIATUS! Seadme kokkupanemise, reguleerimise, puhastamise ja mittekasutamise ajaks tuleb akud alati eemaldada. Akude eemaldamine ennetab seadme juhuslikku käivitumist, millega võiksid kaasnedä rasked kehavigastused.

Kontrollige enne iga kasutuskorda kogu seadet, et ei esineks kahjustunud, puuduvaid või lahtisi osi, nt. kruve,

mutreid, polte, korke vms. Kinnitage kindlalt kõik kinnitused ja korgid ning ärge kasutage toodet, kuni kõik puuduavad või kahjustatud osad on välja vahetatud.

⚠ HOIATUS! Hädaolukorras võtke rinnapannal kohe lahti, et puhur seljast võtta.

RAKENDUSALAD

Seda toodet võib kasutada allpool loetletud eesmärkidel.

- Kõvade pindade, nt sõidu- ja kõnniteede, puhastamiseks.
- Kõnni- ja sõiduteede lehtedest ja männiokastest puhastamiseks.

MÄRKUS! Seadet tohib kasutada vaid käesolevas juhendis lubatud eesmärgil. Igasugust muud kasutust loetakse väärasutuseks.

AKUDE PAIGALDAMINE/EEMALDAMINE

LAADIGE ENNE ESIMEST KASUTAMIST.

Kasutage ainult koos akude ja laaduritega, mis on loetletud joonisel B.

MÄRKUS! Parima jõudluse saavutamiseks soovitakse kasutada mis tahes EGO 56 V akut, mille võimsus on suurem kui 5,0 Ah.

Puhuril on kaks aktiivset akupeset, mis asuvad akupesade korpuse vasakul ja paremal küljel.

MÄRKUS! Puhur saab töötada ühe või kahe akuga. Kahe aku kasutamine tagab pikema tööaja ja tõhusa voolutarbimise, mida juhib PEAK POWER™-i tehnoloogia. Kui ranitsaplaadil numbriga 1 või 2 tähistatud akupesal on sisestatud aku, süttib pärast puhuri sisselülitamist LCD-ekraanil vastava aku ikoon (joonis G).

G-1	Akupesa asukoha märged
-----	------------------------

■ Paigaldamine (joonis H)

Joondage aku ribad paigaldusavadega ja vajutage aku alla, kuni kuulete klõpsatust. Korra protsessi teise aku paigaldamiseks.

■ Eemaldamine (joonis I)

Vajutage akuvabastusnuppu ja tõmmake akud välja.

⚠ HOIATUS! Akuvabastusnuppu vajutades jälgige alati oma jalgade ning läheduses viibivate laste ja loomade asukohta. Aku kukkumine võib põhjustada raskeid vigastusi. Aku ei tohi KUNAGI eemaldada kõrges kohas viibides.

SELJASKANTAVA PUHURI PAIGUTAMINE

⚠ HOIATUS! Kandke sobivat riietust, et ennetada vigastuste ohtu tööriista kasutamisel. Ärge kandke kehast eemale hoidvaid ehteid ega riideid. Kandke nägemis- ja kuulmiskaitsevahendeid. Kandke tugevast materjalist pikki pükse, saapaid ja kindaid. Ärge kandke lühikesi pükse ega sandaale ega töötae paljajalu.

Tugirakmete reguleerimine

1. Pange käed läbi õlarihmade, et puhur seljale toetada.
2. Reguleerige mõlemat õlarihma, kuni puhur on teil mugavalt seljas (joonis J).
3. Kinnitage rinnapannal ja reguleerige vajaduse korral rinnarihma pikkust (joonis K).
4. Kinnitage vööpannal ja reguleerige vöörihma pikkust nii, et teie puusad puhuri ranitsaosa kindlalt toetaks (joonised L ja M).
5. Reguleerige õlarihma uuesti, et tagada turvalisus ja mugavus. Veenduge, et puhuri ranitsaosa oleks teil kindlalt seljas, nii et vöörihm toetaks selle raskust ja et see liigselt ei liiguks, kui te liigutate (joonis N).
6. Pange vöö lisapikkus ümber vöökohta kummalegi poole läbi kummaasa (joonis O).
7. Tööriista seljast võtmiseks vajutage lihtsalt vöö- ja rinnapannalt, et need vabastada (joonis P).

Juhtkäepideme reguleerimine

1. Vabastage kiirvabastushoob, et liigutada juhtkäepidet vastavalt vajadusele ette- või tahapoole (joonised Q ja R) ja seejärel rakendage kiirvabastushoob, et käepide oma kohale kinnitada.
2. Võite käepidet vastavalt vajadusele keerata, et teil mugavam oleks (joonis S).

Juhtkäepideme toru pikkuse reguleerimine (joonised T1, T2)

1. Vabastage kiirvabastushoob, et viia puhuritoru mugavasse töoasendisse.
2. Puhuritoru oma kohale kinnitamiseks rakendage kiirvabastushoob.

PUHURI KÄIVITAMINE/PEATAMINE

Päästik (joonised U1, U2)

- Puhuri sisselülitamiseks vajutage päästikut. LCD-ekraanil kuvatakse kütusemõõdik, aku ikoon, õhukiiruse näidik.
- Puhuri õhukiirust reguleeritakse päästikuga. Mida sügavamale päästikut vajutatakse, seda rohkem õhku

voolab otsakust välja. Reguleerige kiirus parajasti tehtava töö jaoks sobivaks. Vastav õhukiiruse ikoon kuvatakse LCD-ekraanil.

- Puhuri väljalülitamiseks vabastage päästik. LCD-ekraanil lülitub kuue sekundi pärast välja.

Turborežiim

Õhuvoolu maksimeerimiseks vajutage turbonuppu ajal, kui päästikut hoitakse alla surutuna (joonis U1). LCD-ekraanil süttivad turbokiiruse märgutuli ja ventilaatori ikoon (joonis U3).

MÄRKUS! Turbonupu vabastamisel pöördub puhur tagasi eelmisele kiirusele.

Kiirushoidikuga mudel

Kiirushoidikuga mudel võimaldab töötada päästikut vajutamata.

Kiirushoidikurežiimi aktiveerimiseks tehke järgmist.

1. Vajutage päästikut ja hoidke seda soovitud kiirusel (joonis U1).
2. Vajutage kiirushoidiku nuppu. Vabastage nupp pärast seda, kui LCD-ekraanil kuvatakse kiirushoidiku ikoon (joonis U4).
3. Vabastage päästik, puhur jätkab tööd.

Kui vajutate turbonuppu ajal, kui seade töötab kiirushoidikurežiimil, saate suurendada õhukiiruse ajutiselt maksimaalsele tasemele. Kui turbonupp vabastatakse, taastab puhur eelmise kiiruse.

Kiirushoidikurežiimi väljalülitamiseks tehke järgmist.

Vajutage uuesti kiirushoidiku nuppu, et kiirushoidikurežiim välja lülitada. LCD-ekraanil oleva kiirushoidiku ikooni kuvamine lõpeb.

Nõuandeid puhuri kasutamiseks

- Enne puhumist vabastage praht rehade või harjadega maa küljest. Tolmustes tingimustes niisutage vee olemasolul veidi pinda.
- Jälgige laste, loomade, avatud akende ja hiljuti pestud autode asukohta ning puhuge prahti ohutus suunas.
- Pärast puhurite ja teiste seadmete kasutamist koristage tööpiirkond!

ET

HOOLDUS

⚠ HOIATUS! Remontimisel kasutage vaid originaalvaruosi. Mis tahes muude osade kasutamine võib põhjustada ohtlikke olukordi või seadet vigastada. Turvalisuse ja vastupidavuse tagamiseks peab kõiki parandustöid läbi viima kvalifitseeritud hooldustehnik.

⚠ HOIATUS! Raskete kehavigastuste vältimiseks tuleb seadme puhastamise ja hooldamise ajaks alati aku seadmest eemaldada.

ÜLDHOOLDUS

Vältige plastosade puhastamisel lahustite kasutamist. Enamik plasmaterjalidest on vastuvõtlikud müügil olevatest lahustitest tulenevatele kahjustustele. Kasutage mustuse, tolmu, õli, määrde jms eemaldamiseks puhast lappi.

⚠ HOIATUS! Ärge kunagi laske pidurivedelikel, bensiinil, naftabaasil toodetel, läbitungivatel õlidel jms puutuda kokku plastosadega. Kemikaalid võivad plasti kahjustada, nõrgendada või hävitada, mille tagajärjeks võib olla raske kehavigastus.

HOIUSTAMINE

- Eemaldage puhurist aku.
- Eemaldage puhuri õhu sissevõtuavadest võõrkehad.
- Joondage puhuritoru hoiunupp toru riputussoonega ja haakige puhuritoru akupesade korpuse külge (joonised V ja W).
- Hoidke seadet suletud ruumis lastele kättesaamatuna. Hoidke seadet eemal korrodeerivatest ainetest (nt aiakemikaalid ja jääsulatussoolad).

V-1	Puhuritoru hoiunupp
V-2	Toru riputussoon

Keskonnakaitse



Ärge visake elektriseadmeid, kasutatud akut ega laadurit olmeprügi hulka!

Viige toode volitatud taaskäitleja juurde ja võimaldage selle komponendid sorteerituna kõrvaldada. Elektritööriistad tuleb viia keskkonnakaitseasutuste järgivasse jäätmekäitluskeskusesse.

TÖRKEOTSING

PROBLEEM	PÕHJUS	LAHENDUS
Puhur ei tööta.	<ul style="list-style-type: none">■ Puhuri ja akude vahel puudub elektriühendus.■ Akud on tühjad.■ Akud või puhur on liiga kuumad.	<ul style="list-style-type: none">■ Eemaldage aku, kontrollige klemme ja pange aku tagasi.■ Laadige akud.■ Jahutage akusid ja puhurit, kuni temperatuur langeb alla 67°C.
Puhumiskiirus väheneb oluliselt.	<ul style="list-style-type: none">■ Õhu sisselaskeava on mustust täis.■ Mootori ventilaator on väga kulunud.	<ul style="list-style-type: none">■ Eemaldage akud, kõrvaldage praht.■ Võtke seadme remontimiseks ühendust EGO hoolduskeskusega.
LCD-ekraani tõrge.	<ul style="list-style-type: none">■ LCD koost on katki või LCD koostu juhtmeühendus on halb.	<ul style="list-style-type: none">■ Võtke seadme remontimiseks ühendust EGO hoolduskeskusega.

GARANTII

EGO GARANTIIPÕHIMÕTTED

Täielikud EGO garantiitingimused leiate veebilehelt egopowerplus.com.

ПРОЧИТАЙТЕ ВСІ ІНСТРУКЦІЇ!



ПРОЧИТАЙТЕ ПОСІБНИК З ЕКСПЛУАТАЦІЇ

ПРИМІТКА. Ці інструкції також доступні в альтернативному форматі, наприклад на веб-сайті.

⚠ Залишковий ризик! Люди з електронними пристроями, наприклад кардіостимуляторами, повинні проконсультуватися зі своїм лікарем (лікарями) перед використанням цього виробу. Експлуатація електрообладнання в безпосередній близькості від кардіостимулятора може спричинити перешкоди або несправність кардіостимулятора.

⚠ ПОПЕРЕДЖЕННЯ. Для гарантування безпеки та надійності всі роботи з ремонту та заміни повинен проводити кваліфікований технічний спеціаліст.

СИМВОЛИ, ЩО СТОСУЮТЬСЯ БЕЗПЕКИ

Мета символів, пов'язаних із безпекою, – привернути вашу увагу до можливих небезпек. Символи безпеки та їхнє пояснення заслуговують на вашу пильну увагу та розуміння. Символи попереджень самі по собі не усувають будь-якої небезпеки. Інструкції та попередження, які вони надають, не замінюють належних заходів щодо запобігання аваріям.

⚠ ПОПЕРЕДЖЕННЯ. Перш ніж користуватися цим інструментом, обов'язково ознайомтеся з усіма інструкціями з безпеки, наведеними в цьому посібнику користувача, зокрема з усіма символами попереджень, такими як «**НЕБЕЗПЕКА**», «**ПОПЕРЕДЖЕННЯ**» та «**ЗАСТЕРЕЖЕННЯ**». Недотримання наведених нижче вказівок може спричинити ураження електричним струмом, пожежу та/або серйозні травми.

ПОВІДОМЛЕННЯ ЩОДО ЗАПОБІГАННЯ ЗАПОДІЯННЮ ШКОДИ ТА ІНФОРМАЦІЙНІ ПОВІДОМЛЕННЯ

Вони повідомляють користувачеві важливу інформацію та/або вказівки, які можуть призвести до пошкодження обладнання або іншого майна, якщо цих вказівок не буде дотримано. Кожному повідомленню передуює слово «**ПРИМІТКА**», як у прикладі нижче:

ПРИМІТКА. Невиконання цих вказівок може призвести до пошкодження обладнання та/або майна.



⚠ ПОПЕРЕДЖЕННЯ. Використання будь-яких електроінструментів може призвести до потрапляння сторонніх предметів в очі, що може спричинити серйозне пошкодження очей. Перед початком експлуатації електроінструмента завжди надягайте закриті захисні окуляри або відкриті захисні окуляри з бічними щитами та, якщо потрібно, повнопрофільну захисну маску. Ми рекомендуємо захисну маску широкого розміру для використання поверх окулярів або стандартні відкриті захисні окуляри з бічними щитами.

UK

ВКАЗІВКИ З ТЕХНІКИ БЕЗПЕКИ

На цій сторінці зображено та описано символи, пов'язані з безпекою, які можуть відображатись на цьому виробі. Перш ніж намагатися зібрати та експлуатувати його, ознайомтеся з усіма інструкціями на інструменті та дотримуйтесь їх.



Попередження щодо безпеки



Під час роботи з цим виробом завжди використовуйте засоби захисту органів слуху.



Тримайте сторонніх не ближче як за 15 метрів.



Цей виріб відповідає чинному законодавству Великобританії.

V Вольти

Гц Герци

хв Хвилини

км/год Кілометри на годину

n_0 Швидкість холостого ходу

IPX5 Захист від водяних струменів



Працюючи з цим виробом, завжди носіть закриті захисні окуляри чи відкриті захисні окуляри з бічними щитками або повнопрофільну захисну маску.



Щоб зменшити ризик травми, користувач повинен прочитати інструкцію користувача перед використанням цього виробу.



Цей виріб відповідає чинним директивам ЄС.



Відходи електричних виробів не слід викидати разом із побутовим сміттям. Зверніться до авторизованого пункту переробки.

A Ампера

Вт Вати

м³/год Кубічний метр на годину

— Постійний струм

.../хв На хвилину

UK

ТЕХНІЧНІ ХАРАКТЕРИСТИКИ

Напруга	56 В
Максимальний об'єм повітря	1360 м3/год
Максимальна швидкість повітря	85 м/с
Максимальна сила повітродувки	26 Н
Діапазон рекомендованих робочих температур	-15°C–40°C
Діапазон рекомендованих температур зберігання	-20°C–70°C
Вага повітродувки (без акумулятора, з трубкою)	7,4 кг
Вимірний рівень звукової потужності L_{WA}	97 дБ(A) K=1,2 дБ(A)
Рівень звукового тиску на місці вуха оператора L_{PA}	86,2 дБ(A) K=2,5 дБ(A)
Гарантований рівень звукової потужності L_{WA} (відповідно до 2000/14/EC)	98 дБ(A)
Вібрація a_n	0,4 м/с ² K=1,5 м/с ²

- Вказане загальне значення вібрації виміряне за стандартним методом тестування і може використовуватися для порівняння одного інструмента з іншим;
- Заявлене сумарне значення вібрації може також використовуватись для попередньої оцінки впливу.

ПРИМІТКА. Емісія вібрації під час фактичного використання електрострументу може відрізнятися від заявленої величини, у якій використовується інструмент. Щоб захистити оператора, користувач повинен одягати рукавички та захисні навушники в реальних умовах використання.

UK

ПАКУВАЛЬНИЙ ЛИСТ (РИС. А1)

ОПИС

ОЗНАЙОМЛЕННЯ З ПОВІТРОДУВКОЮ

(рис. А1 і А2)

1. Ручка
2. Кнопки звільнення акумулятора
3. Засувка

4. Електричні контакти
5. Допоміжна ручка
6. Отвір для входу повітря
7. Сильфон
8. Трубка ручки керування
9. Трубка повітродувки
10. Ручка керування
11. Наплічна пластина
12. Ручка для зберігання трубки повітродувки
13. Регульовані підвісні ремені
14. Конічна насадка
15. Кнопка круїз-контролю
16. РК-екран
17. Кнопка «Турбо»
18. Тригерний перемикач
19. Паз для підвішування трубки
20. Важіль швидкого звільнення
21. Показчик рівня палива
22. Значок вентилятора
23. Індикатор «Турбо»
24. Індикатор швидкості повітря
25. Значок круїз-контролю
26. Значок акумулятора

ПОПЕРЕДЖЕННЯ. Для безпечного використання цього виробу потрібне розуміння інформації на інструменті та в цьому посібнику користувача, а також знання про проект, який ви намагаєтесь виконати. Перед використанням цього виробу ознайомтеся з усіма функціями та правилами техніки безпеки.

ЗБИРАННЯ

▲ ПОПЕРЕДЖЕННЯ. Якщо якісь частини пошкоджені або відсутні, не користуйтеся цим інструментом, доки вони не будуть замінені. Використання цього виробу з пошкодженими або відсутніми деталями може призвести до серйозних травм.

▲ ПОПЕРЕДЖЕННЯ. Не намагайтеся вдосконалити цю повітродувку або застосувати приладдя, не рекомендоване для неї. Кожна така заміна чи переробка є фактом неправильного користування, створює небезпечні умови й загрожує серйозними травмами.

⚠ ПОПЕРЕДЖЕННЯ. Щоб запобігти випадковому запуску, що може спричинити серйозні травми, завжди виймайте акумулятори з інструмента під час установаження деталей.

УСТАНОВЛЕННЯ ТРУБОК ПОВІТРОДУВКИ

Під'єднання трубки ручки керування в зборі до сільфона (рис. С)

1. Вставте верхній кінець трубки ручки керування в сільфон до упору.
2. Повністю затягніть гвинт затискного кільця на сільфоні.

C-1	Затискне кільце
C-2	Гвинт

Під'єднання трубки повітродувки до трубки ручки керування (рис. D)

1. Послабте та зніміть важіль швидкого звільнення та гайку-баранець із затискача трубки в зборі, закріпленого на трубці повітродувки.

D-1	Затискач трубки
D-2	Баранець

2. Сумістіть канавку на трубці повітродувки з ребром на трубці ручки керування, надагніть трубку повітродувки на трубку ручки керування до упору.
3. Вставте штифт важеля швидкого звільнення та закрийте важіль на затискачі трубки.
4. Затягніть гайку-баранець, щоб закріпити затискач трубки на місці.

Під'єднання конічної насадки до трубки повітродувки (рис. E, F)

1. Сумістіть канавку на насадці із засувкою на трубці. Насуньте насадку на трубку так, щоб вона надійно зафіксувалася на місці.
2. Для зняття насадки натисніть і утримуйте кнопку відпускання сопла, щоб відкрити фіксатор, потім витягніть насадку прямо з трубки повітродувки.

E-1	Кнопка звільнення наконечника
E-2	Засувка

ЕКСПЛУАТАЦІЯ

⚠ ПОПЕРЕДЖЕННЯ. Знання виробу не має робити вас недбалим. Пам'ятайте, що півсекунди неухважності досить для серйозної травми.

⚠ ПОПЕРЕДЖЕННЯ. Не використовуйте приладдя чи насадки, не рекомендовані виробником цього пристрою. Використання нерекондованого приладдя чи насадок може призвести до серйозних травм.

⚠ ПОПЕРЕДЖЕННЯ. Завжди виймайте акумулятори з виробу, коли збираєте деталі, виконуєте регулювання, очищення, або коли виріб не використовується. Виймання акумуляторів запобігає випадковому запуску, що може спричинити серйозні травми.

Перед кожним використанням перевіряйте весь виріб на предмет пошкоджень, відсутності або послаблення деталей, таких як гвинти, гайки, болти, кришки тощо. Закріпіть усі затискачі та ковпачки і не використовуйте цей прилад, доки не будуть замінені всі відсутні або пошкоджені деталі.

⚠ ПОПЕРЕДЖЕННЯ. Якщо виникне надзвичайна ситуація, від'єднайте нагрудну пряжку прямо, щоб зняти повітродувку.

ЗАСТОСУВАННЯ

Ви можете використовувати цей виріб для цілей, перелічених нижче:

- Очищення твердих поверхонь, таких як під'їзні шляхи та пішохідні доріжки.
- Прибирання листя та хвої з під'їзних шляхів і настіль.

ПРИМІТКА. Цей інструмент має використовуватись тільки за призначенням. Будь-яке інше використання вважається випадком використання не за призначенням.

ВСТАНОВЛЕННЯ/ЗНЯТТЯ АКУМУЛЯТОРІВ

ЗАРЯДІТЬ ПЕРЕД ПЕРШИМ ВИКОРИСТАННЯМ.

Використовуйте лише акумулятори та зарядні пристрої, вказані на рис. Б.

ПРИМІТКА. Для найкращої продуктивності ми рекомендуємо використовувати будь-який акумулятор EGO 56 В ємністю понад 5,0 А-год.

Повітродувка має два активні акумуляторні відсіки з лівої та правої сторони корпусу акумуляторного відсіку.

ПРИМІТКА. Повітродувка може працювати від одного або двох акумуляторів. Використання двох акумуляторів забезпечує триваліший час роботи та

ефективне енергоспоживання під керуванням технології PEAK POWER™.

Якщо акумулятор вставлено в акумуляторний відсік, позначений 1 або 2 на пластині рюкзака, відповідний значок акумулятора загоряється на РК-екрані (рис. G) після ввімкнення повітродувки.

G-1 Мітка положення батарейного відсіку

■ Установлення (рис. H)

Вирівняйте виступи на акумуляторі з кріпильними отворами та натисніть на акумулятор, доки не почуєте «кляцання». Повторіть процедуру для встановлення другого акумулятора.

■ Зняття (рис. I)

Натисніть кнопки фіксатора акумуляторів і витягніть акумулятори.

⚠ ПОПЕРЕДЖЕННЯ. Завжди звертайте увагу на розташування своїх ніг, дітей або домашніх тварин, коли натискаєте кнопку звільнення батареї. Падіння акумулятора може призвести до серйозної травми. НИКОЛИ не виймайте акумулятор у високо розташованому місці.

РОЗМІЩЕННЯ НАПЛІЧНОЇ ПОВІТРОДУВКИ

⚠ ПОПЕРЕДЖЕННЯ. Одягайтеся правильно, щоб зменшити ризик травми під час роботи з цим інструментом. Не носіть вільного одягу або прикрас. Одягайте захисні окуляри та навушники. Носіть важкі, довгі штани, міцне взуття та рукавички. Не носіть шорти, сандалії, не працюйте босоніж.

Регулювання підвісних ременів

1. Просуньте руки через плечові ремені, щоб тримати повітродувку на спині.
2. Відрегулюйте обидва плечові ремені, доки ви не відчуваєте себе комфортно з повітродувкою на спині (рис. J).
3. Прикріпіть нагрудну пряжку та за необхідності відрегулюйте довжину (рис. K).
4. Закріпіть поясну пряжку та відрегулюйте довжину таким чином, щоб наплічник надійно тримався на боках (рис. L і M).
5. Відрегулюйте плечові ремені для безпеки та зручності. Переконайтеся, що наплічник надійно сидить на спині, при цьому вага підтримується поясным ременем, і без надмірного руху, коли ви рухаєтесь (рис. N).
6. Вставте будь-яку зайву частину поясного ремня в резинку з обох боків (рис. O).

7. Щоб зняти інструмент зі спини, просто натисніть на поясну та нагрудну пряжки, щоб звільнити їх (рис. P).

Регулювання ручки керування

1. Відпустіть важіль швидкого звільнення, щоб перемістити ручку керування вперед або назад у міру необхідності (рис. Q і R), а потім закрийте важіль швидкого звільнення, щоб зафіксувати ручку на місці.
2. Ви також можете обертати рукоятку, як це потрібно для зручності (рис. S).

Регулювання довжини трубки ручки керування (рис. T1, T2)

1. Відпустіть важіль швидкого звільнення, щоб перемістити трубку повітродувки у зручне робоче положення.
2. Закрийте важіль швидкого звільнення, щоб зафіксувати трубку повітродувки на місці.

ЗАПУСК/ЗУПИНКА ПОВІТРОДУВКИ

Тригерний перемикач (рис. U1, U2)

- Натисніть тригерний перемикач, щоб увімкнути повітродувку. РК-екран відображає вказівник рівня палива, значок акумулятора, індикатор швидкості повітря.
- Швидкість повітря повітродувки регулюється тригерним перемикачем. Що сильніше натиснутий тригерний перемикач, то більше повітря виходить із сопла. Відрегулюйте швидкість відповідно до поставленого завдання. На РК-дисплеї відображається відповідний значок швидкості повітря.
- Відпустіть тригерний перемикач, щоб вимкнути повітродувку. Через 6 секунд РК-екран вимикається.

Турборежим

Натиснувши й утримуючи тригерний перемикач, натисніть кнопку турборежиму, щоб максимально збільшити потік повітря (рис. U1). На РК-екрані загоряється індикатор турборежиму та значок вентилятора (рис. U3).

ПРИМІТКА. Повітродувка повертається до попередньої швидкості після відпускання кнопки турборежиму.

Модель із круїз-контролем

Режим круїз-контролю дає змогу працювати без тригерного перемикача.

Щоб увімкнути режим круїз-контролю:

1. Натисніть і утримуйте тригерний перемикач на бажаній швидкості (рис. U1).
2. Натисніть кнопку круїз-контролю. Відпустіть кнопку після того, як на РК-дисплеї з'явиться значок круїз-контролю (рис. U4).
3. Відпустіть тригерний перемикач, повітродувка продовжить працювати.

Натисніть кнопку турборежиму в режимі круїз-контролю, щоб тимчасово збільшити швидкість повітря до максимального рівня. Повітродувка відновлює попередню швидкість, коли кнопку турборежиму відпущено.

Щоб вимкнути режим круїз-контролю:

Натисніть кнопку круїз-контролю ще раз, щоб вимкнути режим круїз-контролю. Значок круїз-контролю на РК-дисплеї зникне.

Поради з використання повітродувки

- Використовуйте граблі та мітли, щоб сміття легко відставало від землі, перед видуванням. У пильних умовах, якщо доступна вода, злегка змочіть поверхню.
- Стежте за дітьми, домашніми тваринами, відкритими вікнами чи свіжопомитими автомобілями та видуйте сміття безпечно.
- Після використання повітродувки або іншого обладнання прибирайте!

ОБСЛУГОВУВАННЯ

⚠ ПОПЕРЕДЖЕННЯ. Використовуйте для технічного обслуговування лише ідентичні запчастини. Використання будь-яких інших частин створює небезпеку або може призвести до поломки виробу. Для гарантування безпеки та надійності всі ремонтні роботи повинен проводити кваліфікований технічний спеціаліст.

⚠ ПОПЕРЕДЖЕННЯ. Щоб уникнути серйозних травм, завжди виймайте акумулятор із виробу, перш ніж чистити або виконувати будь-яке технічне обслуговування.

ЗАГАЛЬНИЙ ТЕХНІЧНИЙ ДОГЛЯД

Не використовуйте розчинники для очищення пластмасових деталей. Більшість пластмас чутливі до різноманітних промислових розчинників і можуть бути ними пошкоджені. Для видалення бруду, пилу, мастила тощо користуйтеся чистою ганчіркою.

⚠ ПОПЕРЕДЖЕННЯ. Ніколи не допускайте контакту пластмасових частин із гальмівною рідиною, бензином, нафтопродуктами, проникаючими оліями і т. ін. Хімікати можуть пошкодити, ослабити або зруйнувати пластмасу, а це загрожує серйозними травмами.

ЗБЕРІГАННЯ

- Вийміть акумулятор із повітродувки.
- Прибирайте всі сторонні матеріали з повітрязабірних отворів повітродувки.
- Вирівняйте ручку для зберігання трубки повітродувки з пазом для підвішування трубки та закріпіть трубку повітродувки на корпусі батарейного відсіку (рис. V і W).
- Зберігайте в замкнутому місці, недоступному для дітей. Тримайте подалі корозійні агенти, такі як садові хімікати та солі проти ожеледі.

V-1	Ручка для зберігання трубки повітродувки
V-2	Паз для підвішування трубки

Захист довкілля



Не викидайте електричне обладнання, акумулятор і зарядний пристрій у побутові відходи!

Віднесіть цей виріб авторизованому переробнику й надайте його для роздільного збирання. Електроінструменти необхідно повернути в підприємство, що займається екологічно безпечною переробкою.



УСУНЕННЯ НЕСПРАВНОСТЕЙ

НЕСПРАВНІСТЬ	ПРИЧИНА	ВИРІШЕННЯ
Повітродувка не працює.	<ul style="list-style-type: none">■ Немає електричного контакту між повітродувкою і батареями.■ Акумулятори розряджені.■ Акумулятори чи повітродувка надто гарячі.	<ul style="list-style-type: none">■ Вийміть акумулятор, перевірте контакти та знову вставте акумулятор.■ Зарядіть акумулятори.■ Остудіть акумулятори та повітродувку, доки температура не опуститься нижче 67 °С.
Швидкість повітря значно зменшується.	<ul style="list-style-type: none">■ Повітрязабірник заблоковано сміттям.■ Надмірне зношення моторного вентилятора.	<ul style="list-style-type: none">■ Вийміть акумулятори, очистьте від сміття.■ Зверніться до сервісного центру EGO для ремонту.
Несправність РК-екрана	<ul style="list-style-type: none">■ Збірка РК-дисплея зламана або погане з'єднання проводів збірки РК-дисплея.	<ul style="list-style-type: none">■ Зверніться до сервісного центру EGO для ремонту.

ГАРАНТІЯ

ПРАВИЛА ГАРАНТІЇ EGO

Відвідайте веб-сайт egopowerplus.com для отримання повного тексту умов гарантійної політики EGO.

UK

ПРОЧЕТЕТЕ ВСИЧКИ ИНСТРУКЦИИ!



ПРОЧЕТЕТЕ РЪКОВОДСТВОТО НА ОПЕРАТОРА

БЕЛЕЖКА: Тези инструкции също са налични в алтернативен формат, напр. на уебсайт.

⚠ Остатъчен риск! Хора с електронни устройства, като пейсмейкър трябва да се консултират с лекуващия(те) си лекар(и) преди употреба на този продукт. Работата с електрическо оборудване в непосредствена близост до сърдечен пейсмейкър може да предизвика смущение или неизправност на пейсмейкъра.

⚠ ПРЕДУПРЕЖДЕНИЕ: За да осигурите безопасността и надеждността, всички поправки и подмени трябва да се извършват от квалифициран сервизен техник.

СИМВОЛИ ЗА БЕЗОПАСНОСТ

Целта на символите за безопасност е да привличат вниманието към възможни опасности. Символите за безопасност и обясненията към тях заслужават вашето повишено внимание и осъзнаване. Символите за безопасност сами по себе си не елиминират каквато и да е опасност. Инструкциите и предупрежденията, които предоставят не са заместители за подходящите мерки за предотвратяване на инцидент.

⚠ ПРЕДУПРЕЖДЕНИЕ: Уверете се, че сте прочели и осъзнали всички инструкции за безопасност в това Ръководство на оператора, включително всички известяващи символи за безопасност, като **“ОПАСНОСТ”**, **“ПРЕДУПРЕЖДЕНИЕ”** и **“ВНИМАНИЕ”** преди да използвате този инструмент. Неспазването на всички инструкции изброени долу може да доведе до електрически удар, пожар и/или сериозно нараняване.

ПРЕДОТВРЯВАНЕ НА ЩЕТИ И ИНФОРМАЦИОННИ СЪОБЩЕНИЯ

Това информира потребителя за важна информация и/или инструкции, които могат да доведат до повреда на оборудването или на друго имущество, ако не се следват. Всяко съобщение се предхожда от думата **„ЗАБЕЛЕЖЕТЕ“**, като в примера долу:

БЕЛЕЖКА: Повреди по оборудването и/или по имуществото може да възникнат, ако тези инструкции не се спазват.



⚠ ПРЕДУПРЕЖДЕНИЕ: Експлоатацията на всички електрически инструменти, може да доведе до изхвърляне на чужди предмети към вашите очи, което може да доведе до сериозно нараняване на очите. Преди започване на работа с електрически инструмент, винаги носете предпазни очила със странична защита и визьор за цялото лице, когато е необходимо. Ние препоръчваме предпазна маска с широк визьор за употреба над очила или стандартни предпазни очила със странична защита.

ИНСТРУКЦИИ ЗА БЕЗОПАСНОСТ

Тази страница изобразява и описва символите за безопасност, които може да се появят по този продукт. Прочетете, осъзнайте и следвайте всички инструкции по машината преди предприемане на сглобяване или работа.



Сигнал за безопасност



Винаги носете защита за слуха, когато работите с този продукт.



Дръжте околните настрани поне на 15 м.



Този продукт е в съответствие с приложимото законодателство на Великобритания.

V Волт

Hz Херца

мин Минути

км/ч Километра в час

n_0 Скорост без натоварване

IPX5 Защита от водни струи



Винаги носете предпазни очила със странична защита и предпазен екран за цялото лице, когато работите с този продукт.



За намаляване на опасността от нараняване, потребителят трябва да прочете ръководството на оператора преди използването на този продукт.



Този продукт е в съответствие с приложимите директиви на ЕС.



Отпадъчните електрически продукти не трябва да бъдат изхвърляни заедно с домакинския отпадък. Отнесете го до упълномощено място за рециклиране.

A Ампера

W Вата

m³/h Кубичен метър за час

— — Постоянен ток

.../мин В минута

СПЕЦИФИКАЦИИ

Напрежение	56 V
Максимален обем на въздуха	1360 м³/ч
Максимална скорост на въздуха	85 м/с
Максимална сила на въздуходувката	26 N
Препоръчителна работна температура	-15°C-40°C
Препоръчителна температура на съхранение	-20°C-70°C
Тегло на вентилатора (Без батерия с тръба)	7,4 кг
Измерено ниво на сила на звука L _{WA}	97 dB(A) K=1.2 dB(A)
Ниво на звуково налягане при ухото на оператора L _{PA}	86.2 dB(A) K=2.5 dB(A)
Гарантирано ниво на сила на звука L _{WA} (съгласно 2000/14/EC)	98 dB(A)
Вибрации a _n	0,4 m/s ² K=1,5 m/s ²

- Декларираният общ размер на вибрации е измерен в съответствие със стандартния метод за тест и може да бъде използван за сравнение между два инструмента;
- Декларираният общ размер на вибрации може също така да бъде използван за предварителна оценка на влиянието.

БЕЛЕЖКА: Вибрационните емисии по време на действителната употреба на електрическия инструмент може да се различава от декларираната стойност. С цел да се защити оператора, потребителят трябва да носи ръкавици и антифони в действителни условия на работа.

ОПАКОВЪЧЕН ЛИСТ (ФИГ. А1)

ОПИСАНИЕ

ОПОЗНАЙТЕ ВАШАТА ВЪЗДУХОДУВКА

(Фиг. А1 и А2)

1. Ръкохватка
2. Бутони за освобождаване на батерията
3. Резе

4. Електрически контакти
5. Спомагателна ръкохватка
6. Вход за въздух
7. Духало
8. Тръба на контролната ръкохватка
9. Тръба на въздуходувката
10. Контролна ръкохватка
11. Табелка на раницата
12. Копче на въздуходувката за съхранение на тръбата
13. Регулируема поддържаща обрuba
14. Конусна дюза
15. Бутон за круиз контрол
16. LCD екран
17. Турбо бутон
18. Спусък превключвател
19. Жлеб за окачане на тръбата
20. Лост за бързо освобождаване
21. Измервателен уред за горивото
22. Икона на перка
23. Индикатор турбо
24. Индикатор за скорост на въздуха
25. Икона за круиз контрол
26. Икона за акумулаторната батерия

⚠ ПРЕДУПРЕЖДЕНИЕ: Безопасната употреба на този продукт изисква осъзнаване на информацията върху инструмента и в това ръководство с инструкции, както и познание относно проекта, с който се захващате. Преди употреба на този продукт се запознайте с работни характеристики и правила за безопасност.

МОНТАЖ

⚠ ПРЕДУПРЕЖДЕНИЕ: Ако някои от частите са повредени или липсват, не работете с този продукт, докато частите не се подменят. Използването на този продукт с повредени или липсващи части може да доведе до сериозно лично нараняване.

⚠ ПРЕДУПРЕЖДЕНИЕ: Не се опитвайте да модифицирате този продукт или да създадете аксесоари, които не се препоръчват за употреба с тази въздуходувка. Всяка такава промяна или модификация е злоупотреба и може да доведе до опасни условия с последици от възможни сериозни наранявания.

BG

⚠ ПРЕДУПРЕЖДЕНИЕ: За да предотвратите случайно стартиране, което може да причини сериозно нараняване винаги изваждайте акумулаторните батерии от инструмента, когато сглобявате частите.

МОНТИРАНЕ НА ТРЪБИТЕ НА ВЪЗДУХОДУВКАТА

Свързване на тръбата на контролната ръкохватка към духалото (фиг. С)

1. Поставете горния край на тръбата на контролната ръкохватка в духалото, докъдето стигне.
2. Затегнете напълно винта в затягащата яка на духалото.

C-1	Затягаща яка
C-2	Винт

Свързване на тръбата на въздуходувката към тръбата на контролната ръкохватка (фиг. D)

1. Разхлабете и отстранете лоста за бързо освобождаване и крилчатата гайка от възела на тръбната скоба, фиксиран върху тръбата на въздуходувката.

D-1	Тръбна скоба
D-2	Крилчатата гайка

2. Подравнете жлеба в тръбата на въздуходувката с реброто на тръбата на контролната ръкохватка, плъзнете тръбата на въздуходувката върху тръбата на контролната ръкохватка, докъдето стигне.
3. Поставете щифта на лоста за бързо освобождаване и затворете лоста върху тръбната скоба.
4. Затегнете крилчатата гайка, за да закрепите тръбната скоба на място.

Свързване на конусната дюза към тръбата на въздуходувката (фиг. E, F)

1. Подравнете жлеба в дюзата с резето на тръбата. Натиснете дюзата върху тръбата, докато тя сигурно щракне на място.
2. За да отстраните дюзата, натиснете и задръжте бутона за освобождаване на дюзата, за да отключите резето и след това издърпайте направо навън дюзата от тръбата на въздуходувката.

E-1	Бутон за освобождаване на дюзата
E-2	Резе

ЕКСПЛОАТАЦИЯ

⚠ ПРЕДУПРЕЖДЕНИЕ: Не позволявайте рутината с този продукт да ви направи непредпазливи. Запомнете, че невнимание за малка част от секундата е достатъчна за да нанесе сериозно нараняване.

⚠ ПРЕДУПРЕЖДЕНИЕ: Не използвайте други приставки или аксесоари, които не са препоръчани от производителя на този продукт. Употребата на приставки или аксесоари, които не са препоръчани, може да доведе до сериозно нараняване.

⚠ ПРЕДУПРЕЖДЕНИЕ: Винаги изваждайте акумулаторните батерии от продукта, когато монтирате части, правите настройки, почиствате или когато не е в употреба. Снемането на акумулаторните батерии ще предотврати инцидентно стартиране, което може да предизвика сериозно нараняване.

Преди всяка употреба проверявайте целия продукт за повредени, липсващи или разхлабени части, като винтове, гайки, болтове, капачки и др. Затегнете сигурно всички закопчалки и капачки и не работете с този продукт, докато всички повредени или липсващи части не бъдат подменени.

⚠ ПРЕДУПРЕЖДЕНИЕ: Ако настъпи аварийна ситуация, директно разединете закопчаването на гърдите, за да свалите въздуходувката.

ПРИЛОЖЕНИЕ

Може да използвате този продукт за целите описани долу:

- Почистяване на твърди повърхности като алеи и пътеки.
- Поддържане на площадки и алеи без листа и иглички от иглолистни дървета.

БЕЛЕЖКА: Инструментът трябва да бъде използван само за предназначените цели. Всяка друга употреба се смята за случай на злоупотреба.

ИНСТАЛИРАНЕ/ИЗВАЖДАНЕ НА БАТЕРИИТЕ

ЗАРЕДЕТЕ ПРЕДИ ПЪРВАТА УПОТРЕБА.

Използвайте само с батерии и зарядни устройства, изброени на фиг. В.

БЕЛЕЖКА: За най-добра производителност препоръчваме използването на всяка EGO 56V батерия с капацитет по-голям от 5,0 Ah.

Въздуходувката има две активни отделения за батерии от лявата и дясната страна на корпуса на отделението за батерии.

БЕЛЕЖКА: Въздуходувката може да работи с една или две батерии. Използването на две батерии ви дава по-дълго време на работа и ефективно захранване, управлявано от технологията PEAK POWER™.

Ако батерията е поставена в отделението за батерии, маркирано с 1 или 2 на табелката на раницата, съответната икона на батерията светва на LCD екрана (фиг. G), след като включите въздуходувката.

G-1	Маркировка за положение на отделението за батерии
-----	---

■ **За да инсталирате (Фиг. H)**

Подравнете ребрата на батерията с монтажните жлебове и натиснете батерията надолу, докато чуете "щракване". Повторете процеса, за да инсталирате втората батерия.

■ **За да извадите (Фиг. I)**

Натиснете бутоните за освобождаване на батерията и издърпайте батериите.

▲ ПРЕДУПРЕЖДЕНИЕ: Винаги обръщайте внимание на местоположението на краката си, деца или домашни любимци, когато бутон за освобождаване на акумулаторната батерия. Може да възникне сериозно нараняване, ако батерията падне. НИКОГА не премахвайте батерията, когато сте на високо място.

ПОЗИЦИОНИРАНЕ НА ВЪЗДУХОДУВКАТА С РАНИЦА

▲ ПРЕДУПРЕЖДЕНИЕ: Облечете се правилно за да намалите риска от нараняване, когато работите с този инструмент. Не носете отпуснати дрехи или бижута. Носете защита за очите и защита за очите/слуха. Носете тежки, дълги панталони, ботуши и ръкавици. Не носете къси панталони или сандали или не ходете бос.

За да регулирате поддържащата сбруа

1. Вкарайте ръцете си през презрамките, за да задържите въздуходувката на гърба си.
2. Регулирайте двете презрамки, докато се почувствате комфортно с въздуходувката на гърба си (фиг. J).
3. Заклучете катарамата на гърдите и регулирайте дължината ако е необходимо (фиг. K).
4. Заклучете катарамата на кръста и регулирайте дължината, така че раницата да е сигурно закрепена на ханша (фиг. L & M).

5. Регулирайте отново ремъците на раменете за сигурност и комфорт. Уверете се, че раницата стои сигурно на гърба ви, като теллото се поема от ремъка на кръста и няма излишни движения, когато се движите (фиг. N).
6. Вкарайте остатъчната дължина на колана около кръста в ластичите от двете страни (фиг. O).
7. За да отделите инструмента от гърба си, просто натиснете катарамите на кръста и гърдите си, за да ги освободите (фиг. P).

За да регулирате манипулатора за управление

1. Освободете лоста за бързо освобождаване, за да преместите контролната ръкохватка напред или назад, ако е необходимо (фиг. Q и R) и след това зацепете лоста за бързо освобождаване, за да закрепите ръкохватката на място.
2. Може също да завъртите ръкохватката, както е необходимо за удобство (фиг. S).

За да регулирате дължината на тръбата на контролната ръкохватка (фиг. T1, T2)

1. Освободете лоста за бързо освобождаване, за да преместите тръбата на въздуходувката в удобна работна позиция.
2. Включете лоста за бързо освобождаване, за да закрепите тръбата на въздуходувката на място.

СТАРТИРАНЕ/СПИРАНЕ НА ВЪЗДУХОДУВКАТА

Спусък превключвател (фиг. U1, U2)

- Натиснете спусъка превключвател, за да включите въздуходувката. LCD екранът показва индикатора за горивото, иконата на батерията, индикатора за скоростта на въздуха.
- Скоростта на въздуха на въздуходувката се контролира със спусъка превключвател. Колкото по-натиснат е спусъкът превключвател, толкова повече въздух изтича от дюзата. Регулирайте скоростта за да е подходяща за настоящата задача. Съответната икона за скорост на въздуха се показва на LCD екрана.
- Освободете спусъка, за да изключите въздуходувката. След 6 секунди LCD екранът се изключва.

Турбо режим

Когато спусъкът е натиснат и задържан, натиснете турбо бутон, за да увеличите максимално въздушния поток (фиг. U1). Индикаторът турбо и иконата на въздуходувката светят на LCD екрана (фиг. U3).

БЕЛЕЖКА: Въздуходувката се връща към предишната скорост при освобождаване на турбо бутона.

Модел круиз контрол

Режимът на круиз контрол предлага операции без спусъка превключвател.

За да включите режима на круиз контрол:

1. Натиснете и задръжте спусъка превключвател на желаната скорост (фиг. U1).
2. Натиснете бутона за круиз контрол. Освободете бутона, след като иконата за круиз контрол се появи на LCD екрана (фиг. U4).
3. Освободете спусъка превключвател, въздуходувката продължава да работи.

Натискане на бутона за турбо под режим круиз контрол може временно да увеличи скоростта на въздуха до максималното ниво. Въздуходувката възобновява предишната скорост при освобождаване на турбо бутона.

За да изключите режима на круиз контрол:

Натиснете отново бутона за круиз контрол, за да изключите режима на круиз контрол. Иконата за круиз контрол на LCD екрана изчезва.

Съвети за използване на вентилатора

- Използвайте гребла и метли за снемане на остатъци преди издухване. При прашни условия, леко навлажнете повърхността, ако е налична вода.
- Внимавайте за деца, домашни любимци, отворени прозорци или скоро измити коли и издухвайте остатъците по безопасен начин.
- След използване на въздуходувки или друго оборудване, почистете!

ПОДДРЪЖКА

⚠ ПРЕДУПРЕЖДЕНИЕ: Когато обслужвате, използвайте само идентични резервни части. Употребата на каквито и да е други части може да създаде опасност или да предизвика повреда на продукта. За да осигурите безопасността и надеждността, всички поправки трябва да се извършват от квалифициран сервизен техник.

⚠ ПРЕДУПРЕЖДЕНИЕ: За да избегнете нараняване, винаги снемайте батерията от продукта, когато почиствате или извършвате поддръжка.

ОБЩА ПОДДРЪЖКА

Избягвайте употребата на разтворители, когато почиствате пластмасовите части. Повечето пластмасови части са уязвими на повреда от различни видове разтворители в търговската мрежа и може да се повредят от тяхната употреба. Използвайте чист плат, за премахване на мръсотия, прах, масло и т.н.

⚠ ПРЕДУПРЕЖДЕНИЕ: Никога не позволявайте спирачна течност, бензин, петролни продукти, проникващи масла и т.н. да влизат в контакт с пластмасовите части. Химикалите могат да повредят, отслабят или разрушат пластмаса, което може да доведе сериозно нараняване.

СЪХРАНЕНИЕ

- Извадете батерията от вентилатора.
- Почистете всички чужди материали от въздушния отвор на въздуходувката.
- Подравнете копчето на въздуходувката за съхранение на тръбата с жлеба за окачване на тръбата и закачете тръбата на въздуходувката в отделението на корпуса (фиг. V и W).
- Съхранявайте на затворено пространство, което е недостъпно до деца. Пазете от корозивни препарати като градински химикали и сол за обезледяване.

V-1	Копче на въздуходувката за съхранение на тръбата
V-2	Жлеб за окачване на тръбата

Опазване на околната среда



Не изхвърляйте електрическо оборудване, използвана батерия или зарядно устройство в домакинския отпадък!

Отнесете продукта до упълномощена фирма за рециклиране и го предоставете за разделно събиране. Електрическите инструменти трябва да бъдат връщани в съоръжения за рециклиране съвместими с околната среда.

ОТСТРАНЯВАНЕ НА ПРОБЛЕМИ

ПРОБЛЕМ	ПРИЧИНА	РЕШЕНИЕ
Въздуходувката не работи.	<ul style="list-style-type: none">■ Няма електрически контакт между вентилатора и батериите.■ Батериите са изчерпани.■ Батериите или вентилаторът са твърде горещи.	<ul style="list-style-type: none">■ Извадете батерията, проверете контактите и поставете отново батерията.■ Заредете батериите.■ Охладете акумулаторните батерии и въздуходувката до спадане на температурата под 67°C.
Скоростта на въздуха значителна намалява.	<ul style="list-style-type: none">■ Въздушният отвор е блокиран от остатъци.■ Прекомерно износване на вентилатора на двигателя.	<ul style="list-style-type: none">■ Извадете батериите, изчистете отломките.■ Свържете се с сервизния център на EGO за ремонт.
Грешка в LCD екрана.	<ul style="list-style-type: none">■ Възелът на LCD е неизправен или лошо свързан проводник на възела на LCD.	<ul style="list-style-type: none">■ Свържете се с сервизния център на EGO за ремонт.

ГАРАНЦИЯ

ГАРАНЦИОННА ПОЛИТИКА EGO

Моля, посетете уебсайта egopowerplus.com за пълните срокове и условия по гаранционната политика на EGO.

PROČITAJTE UPUTE U CIJELOSTI!



PROČITAJTE KORISNIČKI PRIRUČNIK

OBAVIJEST: Ove upute bit će dostupne i u alternativnom formatu, npr. na internetskoj stranici.

⚠ Skrivene opasnosti! Osobe s elektroničkim uređajima poput srčanih elektrostimulatora prije upotrebe ovog proizvoda trebaju se posavjetovati sa svojim liječnikom. Rad električne opreme u neposrednoj blizini srčanih elektrostimulatora može prouzročiti smetnju ili kvar srčanog elektrostimulatora.

⚠ UPOZORENJE: Zbog sigurnosti i pouzdanosti sve popravke treba obavljati kvalificirani servisni tehničar.

SIGURNOSNI SIMBOLI

Svrha simbola o sigurnosti je skretanje pozornosti na moguće opasnosti. Simboli o sigurnosti i njihova objašnjenja zahtijevaju vašu potpunu pozornost i razumijevanje. Simboli upozorenja ne isključuju opasnost sami po sebi. Upute i upozorenja koja pružaju nisu zamjena za propisne mjere za prevenciju nesreća.

⚠ UPOZORENJE: Prije korištenja ovog alata, s razumijevanjem pročitajte sve sigurnosne upute u ovom priručniku za rukovatelja, uključujući sve sigurnosne simbole kao što su „**OPASNOST**“, „**UPOZORENJE**“ i „**OPREZ**“. Zanemarivanje uputa navedenih u nastavku može rezultirati električnim udarom, požarom i/ili teškim tjelesnim ozljedama.

PREVENCIJA ŠTETE I INFORMATIVNE PORUKE

One korisnika obavještavaju o važnim informacijama i/ili uputama i ako ih se ne pridržavate, može doći do oštećenja opreme ili druge imovine. Ispred svake poruke istaknuta je riječ „**OBAVIJEST**“, kao u donjem primjeru:

OBAVIJEST: Može doći do oštećenja opreme i/ili imovine u slučaju ne pridržavanja ovih uputa.



⚠ UPOZORENJE: Rukovanje električnim alatima može rezultirati odbacivanjem stranih predmeta u oči, što opet može izazvati teške ozljede očiju. Pri radu s električnim alatom nosite zatvorene zaštitne naočale ili zaštitne naočale s bočnim štitnicima, a prema potrebi i štitnik za cijelo lice. Preporučujemo nošenje sigurnosne maske proizvođača Wide Vision preko naočala ili nošenje standardnih zaštitnih naočala s bočnim štitnicima.

SIGURNOSNE NAPOMENE

Na ovoj stranici slikovno su prikazani i objašnjeni simboli sigurnosti koji se mogu pojaviti na ovom proizvodu. Prije pokušaja sastavljanja i rukovanja s razumijevanjem pročitajte sve upute na uređaju i pridržavajte ih se.



Simbol upozorenja



Kada rukujete ovim proizvodom, nosite zatvorene zaštitne naočale ili zaštitne naočale s bočnim štitnicima i štitnik za cijelo lice.



Kada upotrebljavate proizvod, nosite zaštitu za sluh.



Radi smanjenja opasnosti od ozljeda, prije upotrebe ovog proizvoda korisnik mora s razumijevanjem pročitati korisnički priručnik.



Sve promatrače držite na udaljenosti barem 15 m.



Ovaj proizvod je u skladu s važećim direktivama EU.



Ovaj proizvod je u skladu s važećim zakonodavstvom UK.



Otpadni električni proizvodi ne smiju se odlagati s otpadom iz kućanstva. Odnosite ih u ovlaštenu centar za recikliranje.

V Volt

A Amperi

Hz Herca

W Vat

min Minuta

m³/h Kubnih metara na sat

km/h Kilometara na sat

— Istosmjerna struja

n₀ Brzina bez opterećenja

.../min U minuti

IPX5 Zaštita od vodenih mlazova

TEHNIČKI PODACI

Napon	56 V 
Maksimalna količina zraka	1360 m ³ /h
Maksimalna brzina zraka	85 m/s
Maksimalna snaga puhalo	26 N
Preporučena radna temperatura	-15°C-40°C
Preporučena temperatura skladištenja	-20°C-70°C
Težina puhalo (Bez baterije s cijevi)	7,4 kg
Izmjerena razina zvučne snage L _{WA}	97 dB(A) K=1,2 dB(A)
Razina zvučnog tlaka kod uha rukovatelja L _{PA}	86,2 dB(A) K=2,5 dB(A)
Zajamčena razina zvučne snage L _{WA} (sukladno Direktivi 2000/14/EZ)	98 dB(A)
Vibracija a _h	0,4 m/s ² K=1,5 m/s ²

- Deklarirane ukupne vrijednosti vibracija izmjerene su u skladu sa standardnom metodom ispitivanja i mogu se koristiti za usporedbu jednog alata s drugim.
- Deklarirane ukupne vrijednosti vibracija mogu se koristiti i u preliminarnoj procjeni izloženosti.

OBAVIJEST: Emisija vibracija tijekom aktualnog korištenja električnog alata može se razlikovati od deklarirane vrijednosti u kojoj se alat koristi; Radi zaštite rukovatelja korisnik treba nositi rukavice i štitnike za uši u aktualnim uvjetima korištenja.

SADRŽAJ PAKIRANJA (SL. A1)

OPIS

UPOZNAJTE SE S PUHALOM (sl. A1 i A2)

1. Drška
2. Gumbi za otpuštanje baterije
3. Zapor
4. Električni kontakti
5. Pomoćna ručka
6. Ulaz za zrak
7. Mjehovi
8. Cijev upravljačke ručke

9. Cijev puhalo
10. Upravljačka ručka
11. Ploča naprtnjače
12. Izbočina za spremanje cijevi puhalo
13. Podesivi uprtači za nošenje
14. Konusna mlaznica
15. Gumb tempomata
16. LCD zaslon
17. Gumb Turbo
18. Sklopka okidača
19. Utor za vješanje cijevi
20. Ručica za brzo oslobađanje
21. Mjerač goriva
22. Ikona ventilatora
23. Indikator Turbo
24. Indikator brzine zraka
25. Ikona tempomata
26. Ikona baterije

⚠ UPOZORENJE: Kako biste uređaj mogli koristiti na siguran način, morate razumjeti podatke navedene na samom alatu i u ovom priručniku s uputama, a potrebno je imati i znanje u vezi zadatka kojeg treba izvršiti. Prije korištenja ovog proizvoda, upoznajte se sa svim radnim funkcijama i pravilima o sigurnosti.

SASTAVLJANJE

⚠ UPOZORENJE: Ako je bilo koji dio oštećen ili nedostaje, nemojte upotrebljavati proizvod dok se ne zamijene dijelovi. Upotreba proizvoda na kojemu nedostaju dijelovi ili su oštećeni, može dovesti do ozbiljne tjelesne ozljede.

⚠ UPOZORENJE: Ne pokušavajte obavljati preinake na ovom proizvodu ili raditi pribor koji nije preporučen za uporabu s ovim puhalom. Sve takve izmjene ili preinake predstavljaju nepropisnu uporabu i mogu rezultirati opasnim stanjima koja mogu dovesti do mogućih teških tjelesnih ozljeda.

⚠ UPOZORENJE: Da biste spriječili slučajno pokretanje koje može prouzročiti teške tjelesne ozljede, prilikom sastavljanja dijelova uklonite baterije iz alata.

MONTIRANJE CIJEVI PUHALA

Spajanje sklopa cijevi upravljačke ručke na mjebove (sl. C)

1. Umetnite gornji kraj cijevi upravljačke ručke u mjebove do kraja.
2. Do kraja zategnite vijak u steznom prstenu na mijehovima.

C-1	Stezni prsten
C-2	Vijak

Spajanje cijevi puhalu na cijev upravljačke ručke (sl. D)

1. Otpustite i uklonite ručicu za brzo oslobađanje i krilnu maticu sa sklopa stezaljke cijevi pričvršćenog na cijev puhalu.

D-1	Obujmica cijevi
D-2	Krilna matica

2. Poravnajte utor u cijevi puhalu s rebrom na cijevi upravljačke ručke, gurnite cijev puhalu preko cijevi upravljačke ručke koliko god može.
3. Umetnite zatik ručice za brzo oslobađanje i zatvorite ručicu na stezaljku cijevi.
4. Zategnite krilnu maticu kako biste učvrstili stezaljku cijevi na mjesto.

Spajanje konusne mlaznice na cijev puhalu (sl. E, F)

1. Poravnajte utor u mlaznici sa zaporom na cijevi. Gurnite mlaznicu preko cijevi tako da čvrsto sjedne na mjesto.
2. Da biste uklonili mlaznicu pritisnite i držite gumb za otpuštanje mlaznice kako biste deaktivirali zapor, zatim povucite mlaznicu ravno s cijevi puhalu.

E-1	Gumb za otpuštanje mlaznice
E-2	Zapor

RAD

⚠ UPOZORENJE: Nemojte biti nepažljivi zato što ste upoznati s načinom rada proizvoda. Zapamtite da je samo jedan djelić sekunde nepažnje dovoljan za nastanak tjelesne ozljede.

⚠ UPOZORENJE: Nemojte upotrebljavati priključke ili pribor koje nije preporučio proizvođač ovog proizvoda. Uporaba priključaka ili pribora koji nije preporučen može dovesti do ozbiljnih tjelesnih ozljeda.

⚠ UPOZORENJE: Pri sastavljanju dijelova, obavljanju podešavanja, čišćenju ili kada ne koristite proizvod, baterije izvadite iz proizvoda. Uklanjanjem baterija uklanjate mogućnost nehotičnog pokretanja uslijed kojeg mogu nastati teške tjelesne ozljede.

Prije svake upotrebe, pregledajte da na stroju nema oštećenih, nedostajućih ili olabavljenih dijelova kao što su vijci, matice i poklopci. Dobro pritegnite sve elemente za pričvršćenje i kapice i ne upotrebljavajte proizvod dok se svi dijelovi koji nedostaju ili oštećeni dijelovi, ne zamijene.

⚠ UPOZORENJE: U slučaju nužde, odmah odvojite kopču na prsima kako biste skinuli puhalo.

PRIMJENA

Proizvod možete koristiti za svrhe navedene u nastavku:

- Čišćenje tvrdih površina kao što su prometnice za vozila i nogostupi.
- Uklanjanje lišća i iglica borova s terasa i prilaza za vozila.

OBAVIJEST: Alat se smije upotrebljavati samo za prethodno opisanu namjenu. Svaka druga uporaba smatra se nepropisnom uporabom.

UGRADNJA/UKLANJANJE BATERIJA

NAPUNITE PRIJE PRVE UPORABE.

Koristite samo baterije i punjače navedene na sl. B.

OBAVIJEST: Za najbolju izvedbu preporučujemo korištenje bilo koje baterije EGO 56 V kapaciteta većeg od 5,0 Ah.

Puhalo ima dva aktivna pretinca za baterije na lijevoj i desnoj strani kućišta pretinca za baterije.

NAPOMENA: Puhalo može raditi s jednom ili dvije baterije. Korištenje dviju baterija daje vam dulje vrijeme rada i učinkovitu potrošnju energije kojom upravljaju tehnologija PEAK POWER™.

Ako je baterija umetnuta u pretinac za baterije označen s 1 ili 2 na ploči naprtnjače, odgovarajuća ikona baterije svijetli na LCD zaslonu (sl. G) nakon što uključite puhalo.

G-1	Oznaka položaja pretinca za baterije
-----	--------------------------------------

■ Ugradnja (sl. H)

Poravnajte rebra baterije s utorima za ugradnju i pritisnite bateriju tako da se začuje zvuk „klik”. Ponovite postupak za ugradnju druge baterije.

■ Uklanjanje (sl. I)

Pritisnite gumb za otpuštanje baterije i izvucite baterije.

⚠ UPOZORENJE: Prije pritiskanja gumba za otpuštanje baterije, provjerite jesu li vaša stopala, djeca i domaće životinje na sigurnoj udaljenosti. Ako baterija ispadne, može doći do teških ozljeda. NEMOJTE vaditi bateriju kada ste u povišenom položaju.

POSTAVLJANJE PUHALA S NAPRTNJAČOM

⚠ UPOZORENJE: Obucite se propisno kako biste smanjili rizik od ozljeda tijekom rukovanja alatom. Nemojte nositi široku odjeću i nakit. Nosite zaštitu za oči i uši/sluh. Nosite jake duge hlače, čizme i rukavice. Nemojte nositi kratke hlače ili sandale ili biti bosonogi.

Podešavanje nosivog pojasa

1. Provucite ruke kroz naramenice naprtnjače za držanje puhalu na leđima.
2. Namjestite obje naramenice tako da se osjećate ugodno s puhalom na leđima (sl. J).
3. Zakopčajte kopču na prsima i po potrebi prilagodite njezinu duljinu (Sl. K).
4. Zakopčajte kopču na struku i prilagodite njenu duljinu kako bi naprtnjača bila oslonjena na kukove (Sl. L i M).
5. Ponovno prilagodite naramenice radi sigurnosti i udobnosti. Pobrinite se da naprtnjača čvrsto leži na leđima – težinu mora nositi pojas na struku i ne smije se previše pomicati dok se krećete (sl. N).
6. Umetnite višak remena oko struka u elastični dio na obje strane (sl. O).
7. Ako alat želite skinuti s leđa, pritisnite kopče na struku i prsima kako biste ih oslobodili (sl. P).

Za podešavanje upravljačke ručke

1. Otpustite ručicu za brzo oslobađanje kako biste pomaknuli upravljačku ručku naprijed ili natrag prema potrebi (sl. Q i R), a zatim aktivirajte ručicu za brzo oslobađanje kako biste pričvrstili ručku na mjesto.
2. Ručku možete okretati prema potrebi radi udobnosti (sl. S).

Za podešavanje duljine cijevi upravljačke ručke (sl. T1, T2)

1. Otpustite ručicu za brzo oslobađanje kako biste pomaknuli cijev puhalu u udoban radni položaj.
2. Aktivirajte ručicu za brzo oslobađanje kako biste učvrstili cijev puhalu na mjesto.

HR

POKRETANJE/ZAUSTAVLJANJE PUHALA

Sklopka okidača (sl. U1, U2)

- Pritisnite sklopku okidača za uključivanje puhalu. LCD zaslon prikazuje mjerač goriva, ikonu baterije, indikator brzine zraka.
- Brzinu zraka puhalu određuje sklopka okidača. Što je sklopka okidača više pritisnuta, to više zraka izlazi iz mlaznice. Prilagodite brzinu zadatku. Odgovarajuća ikona brzine zraka prikazuje se na LCD zaslonu.
- Otpustite okidač kako biste isključili puhalo. Nakon 6 s LCD zaslon se isključuje.

Turbo način rada

Dok je okidač pritisnut, pritisnite gumb Turbo za povećanje protoka zraka (sl. U1). Indikator Turbo i ikona ventilatora svijetle na LCD zaslonu (sl. U3).

NAPOMENA: Puhalo se vraća na prethodnu brzinu kada se gumb Turbo otpusti.

Model tempomata

Način rada s tempomatom omogućuje rad bez sklopke okidača.

Za uključivanje načina rada s tempomatom:

1. Pritisnite i držite sklopku okidača na željenoj brzini (sl. U1).
2. Pritisnite gumb tempomata. Otpustite gumb nakon što se na LCD zaslonu pojavi ikona tempomata (sl. U4).
3. Otpustite sklopku okidača, puhalo nastavlja raditi.

Pritiskom na gumb Turbo u tempomatu možete privremeno povećati brzinu zraka na maksimalnu razinu. Puhalo nastavlja s prethodnom brzinom kada se otpusti gumb Turbo.

Za isključivanje načina rada s tempomatom:

Ponovno pritisnite gumb tempomata za isključivanje načina rada s tempomatom. Ikona tempomata na LCD zaslonu nestaje.

Savjeti za korištenje puhalu

- Prije ispuhivanja koristite grablje i metle kako biste otpustili naslage i nečistoće. U prašnjavim uvjetima, lagano navlažite površinu ako vam je dostupna voda.
- Pazite na djecu, domaće životinje, otvorene prozore i svježije oprane automobile – ispušite nečistoće na siguran način.
- Nakon korištenja puhalu ili druge opreme, očistite ih!

ODRŽAVANJE

⚠ UPOZORENJE: Pri servisiranju koristite samo identične zamjenske dijelove. Korištenje drugih dijelova može izazvati opasnost ili prouzročiti oštećenje proizvoda. Radi sigurnosti i pouzdanosti sve popravke treba obavljati kvalificirani servisni tehničar.

⚠ UPOZORENJE: Radi izbjegavanja teških tjelesnih ozljeda, pri čišćenju ili obavljanju podešavanja baterije uvijek izvadite iz proizvoda.

OPĆE ODRŽAVANJE

Pri čišćenju plastičnih dijelova, izbjegavajte upotrebu otapala. Većina plastičnih materijala podložna je oštećenju od različitih vrsta komercijalnih otapala i mogu se oštetiti u slučaju njihove upotrebe. Za uklanjanje nečistoće, prašine, ulja, masti i sl. koristite čiste krpe.

⚠ UPOZORENJE: Nemojte dopustiti da kočione tekućine, benzin, proizvodi na bazi nafte, penetrirajuća ulja i sl., dođu u doticaj s plastičnim dijelovima. Kemijska sredstva mogu oštetiti, oslabiti ili uništiti plastiku što može rezultirati teškim tjelesnim ozljedama.

ČUVANJE

- Uklonite baterije iz puhala.
- Očistite sav strani materijal s ulaza za zrak na puhalu.
- Poravnajte izbočinu za skladištenje cijevi puhala s utorom za vješanje cijevi i objesite cijev puhala na kućište pretinca za baterije (sl. V i W).
- Pohranite ga u zatvorenom prostoru koji nije dostupan djeci. Držite dalje od korozivnih sredstava kao što su vrtno kemikalije i soli za odleđivanje.

V-1	Izbočina za skladištenje cijevi puhala
V-2	Utor za vješanje cijevi

Zaštita okoliša



Električnu opremu, iskorištenu bateriju i punjač ne odlažite u otpad iz kućanstva!

Ovaj proizvod odnesite u ovlaštenu centar za reciklažu i time omogućite odvojeno sakupljanje. Električne alate potrebno je vratiti u ekološki prihvatljiv pogon za reciklažu.

OTKLANJANJE SMETNJI

PROBLEM	UZROK	RJEŠENJE
Puhalo ne radi.	<ul style="list-style-type: none">■ Nema električnog kontakta između puhala i baterija.■ Baterije su ispražnjene.■ Baterije ili puhalo su prevrući.	<ul style="list-style-type: none">■ Izvadite bateriju, provjerite kontakte i ponovno umetnite bateriju.■ Napunite baterije.■ Hladite baterije i puhalo dok se temperatura ne spusti ispod 67°C.
Značajno se smanjila brzina strujanja zraka.	<ul style="list-style-type: none">■ Ulaz za zrak zapriječen je nečistoćama.■ Prekomjerna istrošenost ventilatora motora.	<ul style="list-style-type: none">■ Izvadite baterije, očistite ostatke.■ Za popravak se obratite servisnom centru tvrtke EGO.
Kvar LCD zaslona.	<ul style="list-style-type: none">■ Sklop LCD-a je oštećen ili je kabelaška veza sa sklopom LCD-a neispravna.	<ul style="list-style-type: none">■ Za popravak se obratite servisnom centru tvrtke EGO.

JAMSTVO

PRAVILA U VEZI JAMSTVA PROIZVOĐAČA EGO

Cjelokupne uvjete i odredbe jamstvene politike proizvođača EGO potražite na internetskoj stranici egopowerplus.com.

სრულად გაეცანით ინსტრუქციას!



გაეცანით მომხმარებლის სახელმძღვანელოს

გაფრთხილება: ეს ინსტრუქციები ასევე ხელმისაწვდომია ალტერნატიულ ფორმატში, მაგალითად ვებგვერდზე.

▲ არსებული რისკი! პირებმა, რომელთაც აქვთ იმპლანტირებული სამედიცინო მოწყობილობები, როგორცაა პეისმეიკერი, აღნიშნული პროდუქტის გამოყენებამდე უნდა გაიარონ სამედიცინო კონსულტაცია. გულის ელექტრონული სტიმულატორთან უშუალო სიახლოვეს ელექტრო მოწყობილობის ოპერირებამ შესაძლოა გულის ელექტრონულ სტიმულატორს ხელი შეუშალოს მუშაობაში ან გამოიწვიოს მისი გამორთვა.

▲ გაფრთხილება: მოწყობილობის უსაფრთხოდ და გამართულად მუშაობისთვის საჭიროა მისი ყველა რემონტი და ნაწილის შეცვლა მოხდეს კვალიფიციური სერვისის ტექნიკოსის მიერ.

უსაფრთხოების წესის სიმბოლოები

უსაფრთხოების სიმბოლოების მიზანია ყურადღების გამახვილება შესაძლო საფრთხეებზე. ყურადღებით გაეცანით უსაფრთხოების სიმბოლოებს და მათ შესაბამის განმარტებებს. სამშრომლის აღნიშვნელი სიმბოლოები თავისთავად არ ანეიტრალებს რაიმე საფრთხის არსებობის რისკს. მათ მიერ მოწოდებული მითითებები და გაფრთხილებები არ არიან შემთხვევის თავიდან აცილების სწორი პროცედურის შემცველები.

▲ გაფრთხილება: მოწყობილობის გამოყენებამდე ყურადღებით გაეცანით აღნიშნულ სახელმძღვანელოში მოცემულ უსაფრთხოების წესებს, მათ შორის ყველა უსაფრთხოების სიმბოლოს, როგორცაა „სამშრომლობა“, „გაფრთხილება“ და „ყურადღება“. ქვემოთ ჩამოთვლილი ყველა ინსტრუქციის უგულვებელყოფამ შესაძლოა გამოიწვიოს ელექტრული შოკი, ხანძარი და/ან მოგაყენოთ სერიოზული პირადი ზიანი.

დაზიანების პრევენცია და საინფორმაციო შეტყობინებები

ესენი მითითებები მომხმარებელს მნიშვნელოვანი ინფორმაციისა და/ან ინსტრუქციებისკენ, რომელთა მიუღწევლობამ შესაძლოა გამოიწვიოს ხელსაწყო დაზიანება. ყოველ შეტყობინებას წინ უძღვის სიტყვა „გაფრთხილება“, როგორც მითითებულა ქვედა ნიმუშში:

გაფრთხილება: მითითებების შეუსრულებლობამ შესაძლოა გამოიწვიოს ხელსაწყო და/ან ქონების დაზიანება.



▲ გაფრთხილება: ელექტრული ხელსაწყო გამოყენებისას შესაძლოა უცხო სხეულის თვალის მიდამოში მოხვედრა, რამაც შესაძლოა გამოიწვიოს თვალის მნიშვნელოვანი დაზიანება. ელექტრო ხელსაწყო გამოყენებამდე აუცილებლად მოირგეთ უსაფრთხოების თვალსაფარი ან სათვალე სახის გვერდითა ნაწილებს და მთლიანი სახის დამცავი ეკრანით, საჭიროების შემთხვევაში. ჩვენ რეკომენდაციას ვუწევთ ხედვის ფართო არეალის მქონე უსაფრთხოების ნიღაბს სათვალეებთან ერთად ან სტანდარტულ გვერდითა დამცავის მქონე უსაფრთხოების სათვალეებთან ერთად გამოსაყენებლად.

KA

უსაფრთხოების წესის ინსტრუქცია

ეს გვერდი აჩვენებს და აღწერს იმ უსაფრთხოების წესის სიმბოლოებს, რომლებიც შესაძლოა აღბეჭდილია მოცემულ პროდუქტზე. წაიკითხეთ, შეისწავლეთ და მიყევით ხელსაწყოს ყველა ინსტრუქციას მის აწყობამდე და ჩართვამდე.



სიგნალი საფრთხის შესახებ



ყოველთვის გაიკეთეთ ყურების დამცავი ხელსაწყოთი სარგებლობისას.



მოაცილეთ გარეშე პირები ხელსაწყოს მინიმუმ 15 მეტრის დაშორებით.

UK
CA

აღნიშნული პროდუქტი აკმაყოფილებს გაერთიანებული სამეფოს კანონმდებლობით დადგენილ მოთხოვნებს.

3 ვოლტი

3ც ჰერცი

წთ წუთი

კმ/სთ კილომეტრი საათში

n₀ დაუტვირთავი სიჩქარე

IPX5 წყლის ჭავლისგან დაცვა



ყოველთვის მორგეთ უსაფრთხოების თვალსაფარი ან გვერდითა დამცავი ეკრანების მქონე უსაფრთხოების სათვალე და მთლიანი სახის დამცავი ამ ხელსაწყოთი სარგებლობისას.



დაზიანების რისკის შესამცირებლად მომხმარებელმა უნდა წაიკითხოს ხელსაწყო მუშაობის ინსტრუქცია მის გამოყენებამდე.

CE

მოწყობილობა შეესაბამება EC-ის მოქმედ რეგულაციებს.



ელექტრული ხელსაწყოების უტილიზაცია არ უნდა მოხდეს საყოფაცხოვრებო ნარჩენებთან ერთად. წაიღეთ შესაბამის გადამამუშავებელ საწარმოში.

ა ამპერი

ვტ ვატი

მ³/სთ კუბური მეტრი საათში

მუდმივი დენი

.../წთ წუთში

KA

სპეციფიკაციები

მაბვა	56 ვოლტი
მაქსიმალური ჰაერის მოცულობა	1360 მ ³ /სთ
მაქსიმალური ჰაერის სიჩქარე	85 მ/წმ
საბერველას მაქსიმალური ძალა	26 ნ
რეკომენდებული საექსპლუატაციო ტემპერატურა	-15°C-40°C
რეკომენდებული დასაწყობების ტემპერატურა	-20°C-70°C
საბერველას წონა (აკუმულატორის გარეშე მილთან ერთად)	7.4 კგ
გაზომილი ხმის სიმძლავრის დონე L_{WA}	97 დბ(A) K=1.2 დბ(A)
ბგერის წნევის დონე მომხმარებლის ყურთან მიმართებით L_{PA}	86.2 დბ(A) K=2.5 დბ(A)
გარანტირებული ხმის სიმძლავრის დონე L_{WA} (გაზომილი 2000/14/EC რეგულაციის მიხედვით)	98 დბ(A)
ვიბრაცია a_h	0.4 მ/წმ ² K=1.5 მ/წმ ²

- მითითებული ვიბრაციის სრული სიდიდე გაზომილია სტანდარტული ტესტირების მეთოდის გამოყენებით და შესაძლოა გამოყენებულ იქნას ერთი მოწყობილობის მეორესთან შედარებისას;
- მითითებული ვიბრაციის სრული სიდიდე ასევე შესაძლოა გამოყენებულ იქნას ზემოქმედების წინასწარი შეფასებისას.

გაფრთხილება: ელექტრო ხელსაწყოს ფაქტობრივი გამოყენებისას ვიბრაციის ემისია შესაძლოა განსხვავდებოდეს მითითებული სიდიდისგან; მომხმარებელმა მოწყობილობით სარგებლობისას საჭიროა გამოიყენოს ხელთათმანები და სმენის დამცავი საშუალებები.

შეფუთვის ფურცელი (ნახ. A1)

აღწერა

შეისწავლეთ თქვენი საბერველა (ნახ. A1 და A2)

1. სახელური
2. აკუმულატორის გამშვები ღილაკი
3. ჩამკვეტი
4. ელექტრო კონტაქტები
5. დამხმარე სახელური
6. ჰაერის ჰაერის შესავალი
7. გოფირებული მილი
8. საკონტროლო სახელურის მილი
9. საბერველას მილი
10. საკონტროლო სახელური
11. ზურგანთის ფირფიტა
12. საბერველას მილის საცავის ჩამრთველი
13. რეგულირებადი სამაგრი ღვედი
14. კონუსური საქმენი
15. კრუიზ კონტროლის ღილაკი
16. LCD ეკრანი
17. ტურბოს ღილაკი
18. ტრიგერული გამომრთველი
19. მილის დასაკიდი სიღრუე
20. სწრაფი გამოთავისუფლების ბერკეტი
21. საწვავის დონის მაჩვენებელი
22. გამაგრილებლის პიქტოგრამა
23. ტურბოს ინდიკატორი
24. ჰაერის სიჩქარის მაჩვენებელი
25. კრუიზ კონტროლის პიქტოგრამა
26. აკუმულატორის პიქტოგრამა

⚠ გაფრთხილება: ამ ხელსაწყოს უსაფრთხო გამოყენება საჭიროებს მის შესახებ ინფორმაციისა და მომხმარებლის ინსტრუქციის გაცნობას, ასევე იმ სამუშაოს ცოდნას, რომლის შესრულებასაც აპირებთ. ხელსაწყოს გამოყენებამდე კარგად გაეცანით მის მუშა ფუნქციებს და უსაფრთხოების წესებს.

KA

ნაკრები

▲ გაფრთხილება: თუ რომელიმე ნაწილი დაზიანებულია ან დაკარგულია, არ ისარგებლოთ მოწყობილობით, სანამ ყველა ნაწილი არ შეიცვლება. დაზიანებული ან დაკარგული ნაწილების მქონე მოწყობილობით სარგებლობას შესაძლოა მოჰყვეს სერიოზული ზიანი.

▲ გაფრთხილება: არ სცადოთ ხელსაწყოს გადაკეთება ან ისეთი ნაწილების გამოყენება, რომლებიც არაა რეკომენდირებული ამ საბერველასთვის. ნებისმიერი მსგავსი ცვლილება ან მოდიფიკაცია არის მოწყობილობის არასათანადო გამოყენება და შესაძლოა წარმოქმნას სახიფათო მდგომარეობა, რომელმაც შესაძლოა გამოიწვიოს სერიოზული პირადი ზიანი.

▲ გაფრთხილება: უცაბედი ჩართვის გამოსარიცხად, რომელმაც შესაძლოა გამოიწვიოს სერიოზული პერსონალური ზიანი, ყოველთვის მოხსენით აკუმულატორი ხელსაწყოს, როდესაც ხდება მისი აწყობა.

საბერველას მილების აწყობა

ანაწყოები საკონტროლო-სახელურის მილის დაკავშირება გოფირებულ მილთან (ნახ. C)

- ჩასვით საკონტროლო სახელურის მილის ზედა ბოლო გოფირებულ მილში რამდენადაც ის იძლევა ამის შესაძლებლობას.
- ბოლომდე მოუჭირეთ დამჭერ საყელოს გოფირებულ მილზე.

C-1	დამჭერი საყელო
C-2	ხრახნი

საბერველას მილის დაკავშირება საკონტროლო-სახელურთან მილთან (ნახ. D)

- მოუშვით და მოხსენით სწრაფი გამოთავისუფლების ბერკეტი და ქანჩყურა წინა სახელურიდან.

D-1	მილის დამჭერი
D-2	ქანჩყურა

- გაასწორეთ სიღრუე საბერველას მილში საკონტროლო-სახელურის მილით, გადაასრიალეთ საბერველას მილი

- საკონტროლო სახელურის მილზე რამდენადაც ეს შესაძლებელი იქნება.
- მოათავსეთ სწრაფი გამოთავისუფლების ბერკეტის პინი და მოკვეთთ ბერკეტი მილის დამჭერზე.
- მოუჭირეთ ქანჩყურა რათა გაამყაროთ მილის დამჭერი ადგილზე.

კონუსური საჭმენის დაკავშირება საბერველას მილთან (ნახ. E, F)

- მილზე გაასწორეთ საღრუე საჭმენში ჩამკვეტი. დააჭირეთ საჭმენს მილზე, სანამ ის უსაფრთხოდ არ ჩაიკეტება ადგილზე.
- მოხსენით საჭმენი, დააჭირეთ და გვეკირით საჭმენის მოსახსნელი დილაკი რათა გახსნათ ჩამკეტი და შემდეგ გამოქაჩეთ საჭმენი საბერველას მილიდან.

E-1	საჭმენის მომხსნელი დილაკი
E-2	ჩამკეტი

ექსპლუატაცია

▲ გაფრთხილება: შეეცადეთ მსგავსი პროდუქტის გამოყენების გამოცდილებამ არ გამოიწვიოს თქვენი უფულისყურობა. დაიმახსოვრეთ, რომ უფულისყურობამ წამის მეათედშიც კი შესაძლოა მოგატანოთ სერიოზული ზიანი.

▲ გაფრთხილება: არ გამოიყენოთ სხვა ნებისმიერი ნაწილი, რომელიც არაა რეკომენდირებული ამ მოწყობილობის მწარმოებლის მიერ. არარეკომენდირებული ნაწილის გამოყენებამ შესაძლოა მოგაყენოთ სერიოზული ზიანი.

▲ გაფრთხილება: ყოველთვის მოხსენით აკუმულატორი ხელსაწყოს, როდესაც ხდება მისი აწყობა, რეგულირება, წმენდა ან როდესაც არ ხდება ხელსაწყოს გამოყენება. აკუმულატორის მოხსნა გამოირიცხავს მოწყობილობის უცაბედ ჩართვას, რამაც შესაძლოა მოგაყენოთ სერიოზული პირადი დაზიანება.

ყოველი გამოყენების წინ შეამოწმეთ მთლიანი პროდუქტი, ხომ არ არის დაზიანებული, დაკარგული ან მოშვებული მისი ნაწილები, როგორცაა ხრახნები, ქანჩები, ჭანჭიკები, ზუფები და ა.შ. მაგრად მოუჭირეთ ყველა სამაგრი და ზუფი და არ ამუშაოთ

KA

მოწყობილობა, სანამ არ მოხდება ყველა დაკარგული ან დაზიანებული ნაწილის გამოცვლა.

▲ გაფრთხილება: თუ მოხდა გაუთვალისწინებელი შემთხვევა, განაცალკევეთ მკერდის ღვედი საბერველას მოსახსნელად.

გამოყენება

თქვენ შეგიძლიათ გამოიყენოთ ხელსაწყო ქვემოთ ჩამოთვლილი მიზნებისთვის:

- მყარი ზედაპირების გასუფთავება, როგორცაა შენობასთან მისასვლელი გზა ან ქვითა ბილიკი.
- შენობასთან მისასვლელი გზისა და ტერასის ფოთლებისგან და წიწვებისგან გასუფთავება.

გაფრთხილება: ხელსაწყო გამოიყენება შესაძლებელია მხოლოდ დანიშნულებისამებრ. სხვა ნებისმიერი სახით გამოყენება ჩაითვლება, როგორც არასწორი გამოყენების შემთხვევა.

აკუმულატორის დამონტაჟება/მოსხნა

დატენით პირველ ჯერზე სარგებლობამდე.

გამოიყენეთ მხოლოდ ნახ. B. მოცემული აკუმულატორის ნაკრებები და დამტენები.

გაფრთხილება: გაუმჯობესებული იმუშაოსთვის ჩვენ რეკომენდაციას ვუწევთ ნებისმიერ EGO 56 ვოლტთან აკუმულატორს გაზრდილი 5.0 Ah სიმძლავრით.

საბერველას აქვს ორი აქტიური აკუმულატორის სექცია მარჯვენა და მარცხენა მხარეს აკუმულატორის მოთავსების ბუდეში.

გაფრთხილება: საბერველამ შეიძლება იმუშაოს ერთი ან ორი აკუმულატორით. ორი აკუმულატორის გამოყენება გაძლიერებულ დროს უფრო ხანგრძლივი გამოყენებისთვის, რომელსაც უზრუნველყოფს PEAK POWER™ ტექნოლოგია.

თუ აკუმულატორის მოთავსება მოხდა განყოფილებაში, რომელიც აღინიშნება 1 ან 2 ზურგჩანთის ფირფიტაზე, შესაბამისი აკუმულატორის პიქტოგრამა გაანათებს LCD ეკრანზე (ნახ. G) საბერველას ჩართვის შემდეგ.

G-1	აკუმულატორის მდებარეობის მანიშნებელი
-----	--------------------------------------

- დასამონტაჟებლად (ნახ. H)
- გაუსწორეთ აკუმულატორის სამაგრები ბუდის ღიობებს და დააწიეთ აკუმულატორის

ბლოკს, სანამ არ გაიგებთ „დაწკაპუნების“ ხმას. გაიმეორეთ პროცესი მეორე აკუმულატორის დასამონტაჟებლად.

- მოსახსნელად (ნახ. I)

დააჭირეთ აკუმულატორის გამწვებ ღილაკს და ამოიღეთ აკუმულატორის ბლოკი.

▲ გაფრთხილება: ყოველთვის შეამოწმეთ თქვენი ფეხების, ზავშვების ან შინაური ცხოველების მდებარეობა აკუმულატორის გამწვებ ღილაკის დაჭირისას. აკუმულატორის დავარდნამ შესაძლოა გამოიწვიოს სერიოზული ფიზიკური ზიანი. არასდროს მოხსნათ აკუმულატორი სიმაღლეზე.

საბერველა-ზურგჩანთის პოზიციონირება

▲ გაფრთხილება: ჩაიცვით შესაბამისად, რათა შეამციროთ დაზიანების რისკი ხელსაწყოთი სარგებლობისას. არ ჩაიცვათ განიერი, ფრიალა ტანსაცმელი და არ გაიკეთოთ ძვირფასეულობა. მოირგეთ თვალის და ყურის/სმენის დამცავი საშუალებები. ჩაიცვით საბუდეში გრძელი შარვალი, ჩექმა და ხელთათმანები. დაუშვებელია გეცვათ მოკლე შორტი, სანდლები ან იარით ფეხშიშველმა.

სამაგრი ღვედი რეგულირებისთვის

1. გაუყარეთ ხელები ზურგჩანთის თასმებს, რათა მოირგოთ საბერველა ზურგზე.
2. მოირგეთ ორივე მხრის თასმა, სანამ არ იგრძნობთ თავს კომფორტულად საბერველათი ზურგზე (ნახ. J).
3. ჩაკეტეთ მკერდის ღვედი და დაარეგულირეთ მისი სიგრძე საჭიროებისამებრ (ნახ. K).
4. ჩაკეტეთ წელის ღვედი და დაარეგულირეთ მისი სიგრძე ისე რომ ზურგჩანთა უსაფრთხოდ დამაგრდეს თქვენს ბარძაყებზე (ნახ. L და M).
5. ხელახლა დაარეგულირეთ მხრის ღვედები სიმტკიცისა და კომფორტის მისაღწევად. დარწმუნდით რომ ზურგჩანთა მტკიცედ არის ზურგზე მორგებული, ძირითადი წონა ეყრდნობა წელის ღვედს და ის არ მომრავლეს გადაჭარბებულად თქვენთან ერთად (ნახ. N).
6. შესვით წელის ღვედის დამატებითი სიგრძე ორივე მხარეს არსებულ ელასტურ სამაგრში (ნახ. O).
7. ხელსაწყო ზურგიდან მოსახსნელად დააწიეთ წელის და მკერდის ღვედების ბალთებზე (ნახ. P).

KA

საკონტროლო სახელურის რეგულირება

1. გახსენით სწრაფი გამოთავისუფლების ბერკეტი, რომ გადაადგილოთ საკონტროლო სახელური წინ ან უკან, როგორც საჭიროა (ნახ. Q და R) და ჩართოთ შემდეგ სწრაფი გამოშვების ბერკეტი, რათა უზრუნველყოთ სახელურის ადგილზე დამაგრება.
2. კომფორტულად სარგებლობისთვის ასევე შეგიძლიათ დაატრილოთ სახელური საჭიროებისამებრ (ნახ. S).

საკონტროლო სახელურის მილის სიგრძის რეგულირება (იხ. T1, T2)

1. აუშვით სწრაფი რეაგირების ბერკეტი, რომ გადაიტანოთ საბერველას მილი კომფორტულ სამუშაო პოზიციასზე.
2. განათავსეთ მართებულ ადგილას სწრაფი გათავისუფლების ბერკეტი, საბერველას მილის უსაფრთხოების უზრუნველსაყოფად.

საბერველას ჩართვა/გამორთვა

ტრიგერული გამომრთველი (ნახ. U1, U2)

- დააჭირეთ ტრიგერულ გამომრთველს, რათა ჩართოთ საბერველა. LCD ეკრანი აჩვენებს საწვავის სტატუსს, აკუმულატორის პიქტოგრამას, ჰაერის სიჩქარის ინდიკატორს.
- საბერველას ჰაერის ჭავლის სიჩქარე კონტროლდება ტრიგერული გამომრთველით. რაც უფრო მეტად ხდება ტრიგერული გადამრთველზე დაჭერა, მით უფრო მეტი ჰაერი გამოედინება გარეთ. დაარეგულირეთ სიჩქარე შესასრულებელი სამუშაოს მიხედვით. შესაბამისი ჰაერის სიჩქარის პიქტოგრამა ნაჩვენებია LCD ეკრანზე.
- ხელი აუშვით ტრიგერს, რათა გამორთოთ საბერველა. 6 წამის შემდეგ, LCD ეკრანი გამოირთვება.

ტურბო რეჟიმი

ტრიგერზე დაჭერით, დააჭირეთ ტურბო ღილაკს ჰაერის ნაკადის მაქსიმალურად გაზრდის მიზნით (ნახ. U1). ტურბოს მაჩვენებელი და გამაგრებლის პიქტოგრამა ანათებს LCD ეკრანზე (ნახ. U3).

შენიშვნა: საბერველა აგრძელებს წინა სიჩქარით მუშაობას ტურბოს ღილაკზე ხელის გაშვების შემდეგ.

კრუიზ კონტროლის მოდელი

კრუიზ კონტროლის რეჟიმი ვთავაზობთ ოპერაციებს ტრიგერის გადართვის გარეშე.

კრუიზ კონტროლის რეჟიმის ჩასართავად:

1. დააჭირეთ და გეჭიროთ ტრიგერული გადამრთველი სასურველ სიჩქარეზე (ნახეთ. U1).
2. დააჭირეთ კრუიზ კონტროლის ღილაკს. ხელი გაუშვით ღილაკს მას შემდეგ, რაც კრუიზ კონტროლის პიქტოგრამა გამოჩნება LCD ეკრანზე (ნახ. U4).
3. ხელი გაუშვით ტრიგერულ გადამრთველს, საბერველა გააგრძელებს მუშაობას.

დააჭირეთ ტურბო ღილაკს კრუიზ კონტროლის რეჟიმით მუშაობის პროცესში, რათა დროებით გაზარდოთ ჰაერის ჭავლის სიჩქარე მაქსიმუმამდე. საბერველა აგრძელებს წინა სიჩქარით მუშაობას ტურბო ღილაკზე ხელის გაშვების შემდეგ.

კრუიზ კონტროლის რეჟიმის გამოსართავად:

კვლავ დააჭირეთ კრუიზ კონტროლის ღილაკს კრუიზ კონტროლის რეჟიმის გათიშვის მიზნით. კრუიზ კონტროლის პიქტოგრამა LCD ეკრანზე ქრება.

რჩევები საბერველას გამოყენებასთან დაკავშირებით

- გამოიყენეთ ფოცხი ან ცოცხი საგნების გასაფანტად საბერველას ჩართვამდე. მტრიან პირობებში, ოდნავ დასველეთ ზედაპირი, თუ წყალი ხელმისაწვდომია.
- მოერიდეთ ბავშვებს, შინაურ ცხოველებსმ ღია ფანჯრებს ან ახლად გარეცხილ მანქანებს და სხვა მიმართულებით დაუბერეთ ნარჩენ საგნებს.
- საბერველას ან სხვა ხელსაწყოების გამოყენების შემდეგ, გაასუფთავეთ არე!

ტექნიკური მომსახურება

▲ გაფრთხილება: ტექნიკური

მომსახურებისას გამოიყენეთ მხოლოდ იდენტური სათადარიგო ნაწილები. სხვა ნებისმიერი ნაწილის გამოყენებამ

შესაძლოა შექმნას საფრთხე ან გამოიწვიოს მოწყობილობის დაზიანება. მოწყობილობის უსაფრთხო და გამართულად მუშაობისთვის საჭიროა მისი ყველა შეკეთება და ნაწილის შეცვლა მოხდეს კვალიფიციური სერვისის ტექნიკოსის მიერ.

⚠ გაფრთხილება: სერიოზული პირადი დაზიანების თავიდან ასაცილებლად, ყოველთვის მოხსენით აკუმულატორი პროდუქტს გაწმენდის დროს ან როდესაც უტარებთ რაიმე ტიპის სერვისს.

ზოგადი სახის ტექნიკური მომსახურება

მოერიდეთ გამხსნელების გამოყენებას მოწყობილობის პლასტმასის ნაწილების გაწმენდისას. პლასტმასების უმეტესობა ადვილად ზიანდება მათზე სხვადასხვა სახის კომერციული გამხსნელების გამოყენების შედეგად. გამოიყენეთ სუფთა ტილო ტალახის, მტერის, ზეთის, ცხიმის და სხვ. მოსაცილებლად.

⚠ გაფრთხილება: არცერთ შემთხვევაში არ მისცეთ სატორმუზო სითხეს, ბენზინს, ნავთობის ბაზაზე დამზადებულ პროდუქტებს ან სხვა ძლიერი გამხსნელებს მოვიდნენ პლასტმასის ნაწილებთან კონტაქტში. ქიმიურმა ნაერთებმა შესაძლოა დააზიანოს, გაცვიტოს და დაშალოს პლასტმასი, რამაც შეიძლება მოგაყენოთ სერიოზული ზიანი.

შენახვა

- მოხსენით აკუმულატორი საბერველას.
- გაწმინდეთ საბერველას ჰაერის ჭავლის შესავალები ნებისმიერი უცხო ნარჩენებისგან.
- გაუსწორეთ საბერველას მილის საცავის სახელური მილის დასაკიდ სიღრუეს და ჩამოაცვით საბერველას მილი აკუმულატორის ბუდეს (ნახ. V და W).
- შეინახეთ ის ჩაკეტილ ადგილას, რომელიც ბავშვებისთვის მიუწვდომელია. მოაცილეთ კოროზიის გამომწვევი ნივთიერებები, როგორცაა სოფლის მეურნეობაში გამოყენებული ქიმიკატები და მოყინვის საწინააღმდეგო ტექნიკური მარილი.

V-1	საბერველას მილის საცავის სახელური
V-2	მილის დასაკიდი სიღრუე

გარემოს დაცვა



არ მოათავსოთ ელექტრო მოწყობილობა, ნახმარი დამტენი და აკუმულატორი საყოფაცხოვრებო ნაგავში!

მიუტანეთ პროდუქტი ნარჩენების ავტორიზირებულ გადამამუშავებელს და უზრუნველყავით ასეთი ნარჩენის განცალკევებულად შერეოვება. ელექტრო ხელსაწყოები უნდა ჩაბარდეს ნარჩენების გადამამუშავებელ ობიექტს.

KA



დეფექტების აღმოჩენა და გამოსწორება

პრობლემა	მიზეზი	პრობლემის გადაჭრის გზა
საბერველა არ მუშაობს.	<ul style="list-style-type: none"> ■ საბერველასა და აკუმულატორს შორის არ არის ელექტრული კონტაქტი. ■ აკუმულატორი დაცლილია. ■ აკუმულატორი ან საბერველა ძალიან გაცხელებულია. 	<ul style="list-style-type: none"> ■ მოხსენით აკუმულატორი, შეამოწმეთ კონტაქტები და კვლავ მოათავსეთ ბუდეში აკუმულატორი. ■ დატენით აკუმულატორი. ■ აცალეთ საბერველას ან აკუმულატორს გაგრილება, ვიდრე ტემპერატურა 67°C-ის ქვევით არ დაიწევს.
ჰაერის მოძრაობის სიჩქარე საგრძნობლად იკლებს.	<ul style="list-style-type: none"> ■ ჰაერის ჭავლის შესავალი დახშულია უცხო ნარჩენებით. ■ მობოტორის ვენტილატორის მნიშვნელოვანი ცვეთა. 	<ul style="list-style-type: none"> ■ მოხსენით აკუმულატორი ხელსაწყოს, გაწმინდეთ ნარჩენებისგან. ■ მიმართეთ EGO-ს მომსახურების ცენტრს შეკეთებისთვის.
LCD ეკრანი გაუმართავია.	<ul style="list-style-type: none"> ■ LCD ანაწყოები დაზიანებულია ან ცუდი კავშირია. 	<ul style="list-style-type: none"> ■ მიმართეთ EGO-ს მომსახურების ცენტრს შეკეთებისთვის.

გარანტია

EGO-ს საგარანტიო პოლიტიკა

გთხოვთ, ეწვიოთ ვებ-გვერდს egopowerplus.com, რათა იხილოთ EGO-ს საგარანტიო მომსახურების სრული პირობები.

KA

PROČITAJTE SVA UPUTSTVA!



PROČITAJTE PRIRUČNIK ZA RUKOVOACA

NAPOMENA: Ovo uputstvo će biti dostupno i u alternativnom formatu, npr. na veb-lokaciji.

⚠ Rezidualni rizik! Osobe sa elektronskim uređajima, poput pejsmejкера, treba da konsultuju svog lekara (svoje lekare) pre upotrebe ovog proizvoda. Rukovanje električnom opremom u neposrednoj blizini srčanog pejsmejкера moglo bi da izazove smetnje ili otkazivanje pejsmejкера.

⚠ UPOZORENJE: Da bi se osigurala sigurnost i pouzdanost, sve popravke i zamene treba da radi kvalifikovani servisni tehničar.

SIGURNOSNI SIMBOLI

Svrha sigurnosnih simbola je da vam skrenu pažnju na moguće opasnosti. Sigurnosni simboli i objašnjenja uz njih zaslužuju vašu pomnu pažnju i shvatanje. Simboli upozorenja, sami po sebi, ne eliminišu nikakve opasnosti. Uputstva i upozorenja koja oni daju nisu zamena za odgovarajuće mere sprečavanja nezgoda.

⚠ UPOZORENJE: Obavezno pročitajte i shvatite sva sigurnosna uputstva u ovom Priručniku za rukovoaca, obuhvatajući i sve simbole sigurnosnih upozorenja poput „OPASNOST“, „UPOZORENJE“ i „OPREZ“ pre korišćenja ovog alata. Nepridržavanje svih dolenađenih uputstava može da dovede do strujnog udara, požara i/ili ozbiljne telesne povrede.

INFORMATIVNA OBAVEŠTENJA O SPREČAVANJU ŠTETE

Ona obaveštavaju korisnika o važnim informacijama i/ili uputstvima čije nepoštovanje može da dovede do oštećenja opreme ili druge imovine. Svakom obaveštenju prethodi reč „NAPOMENA“, kao u primeru ispod:

NAPOMENA: Može doći do oštećenja opreme i/ili imovine ako se ova uputstva ne slede.



⚠ UPOZORENJE: Rukovanje svakim električnim alatom može da dovede do izbacivanja stranih tela ka očima, što može da dovede do ozbiljnog oštećenja očiju. Pre započinjanja rada sa električnim alatom, uvek stavite sigurnosne naočare sa bočnim štitnicima ili po potrebi masku za celo lice. Preporučujemo sigurnosnu masku Wide Vision za upotrebu preko naočara ili standardnih sigurnosnih naočara sa bočnim štitnicima.

SIGURNOSNA UPUTSTVA

Ova stranica prikazuje i opisuje sigurnosne simbole koji mogu da se pojave na ovom proizvodu. Pročitajte, shvatite i sledite sva uputstva na mašini pre no što pokušate da je sklopite i da rukujete njom.



Sigurnosno upozorenje



Uvek nosite sigurnosne naočare ili sigurnosne naočare sa bočnim štitnicima i po potrebi masku za celo lice kad rukujete ovim proizvodom.



Uvek nosite zaštitu za uši kad rukujete ovim proizvodom.



Da bi smanjio rizik od povreda, korisnik pre korišćenja ovog proizvoda mora pročitati priručnik za rukovaoca.



Držite sve prolaznike na udaljenosti od najmanje 15 m.



Ovaj proizvod je u skladu sa primenjivim Direktivama EU.



Ovaj proizvod je u skladu sa primenjivim zakonima UK.



Otpadni električni proizvodi ne smeju da se odlažu sa otpadom iz domaćinstva. Odnosite ih u ovlašćeni centar za reciklažu.

V Volt

A Amperi


Hz Herc

W Vat

min Minuti

m³/h Kubni metri na sat

km/h Kilometri na sati

 Jednosmerna struja

n₀ Brzina bez opterećenja

.../min U minuti

IPX5 Zaštita od mlazova vode

SPECIFIKACIJE

Napon	56 V
Maksimalna zapremina vazduha	1360 m ³ /h
Maksimalna brzina vazduha	85 m/s
Maksimalna sila duvača	26 N
Preporučena radna temperatura	Od -15 °C do +40 °C
Preporučena temperatura skladištenja	Od -20 do +70 °C
Težina duvača (Bez baterije, sa cevi)	7,4 kg
Izmereni nivo zvučne snage L _{WA}	97 dB(A) K=1.2 dB(A)
Nivo zvučnog pritiska kod uha rukovaoca L _{PA}	86.2 dB(A) K=2.5 dB(A)
Garantovan nivo jačine zvuka L _{WA} (prema 2000/14/EC)	98 dB(A)
Vibracije a _h	0.4 m/s ² K=1.5 m/s ²

- Deklarisana ukupna vrednost vibracije je izmerena u skladu sa standardnim metodom testiranja i može se koristiti za upoređivanje jednog alata sa drugim;
- Deklarisana ukupna vrednost vibracije može se koristiti u preliminarnoj proceni izlaganja.

NAPOMENA: Emisija vibracija tokom stvarne upotrebe električnog alata može da se razlikuje od deklarisanе vrednosti u kojoj se alat koristi. Da bi se rukovalac zaštitio, korisnik bi trebalo da nosi rukavice i štitnike za uši u stvarnim uslovima korišćenja.

POPIS PAKOVANJA (SLIKA A1)

OPIS

UPOZNAJTE SVOJ DUVAČ (slika A1 i A2)

1. Ručka
2. Dugmad za otpuštanje baterije
3. Reza
4. Električni kontakti
5. Pomoćna drška
6. Ulaz vazduha
7. Meh
8. Cev kontrolne ručice
9. Cev duvača

10. Kontrolna ručica
11. Ploča ranca
12. Dugme za skladištenje cevi duvača
13. Podesivi potporni remeni
14. Sužena mlaznica
15. Dugme tempomata
16. LCD ekran
17. Turbo dugme
18. Okidač
19. Žleb za kačenje cevi
20. Poluga za brzo oslobađanje
21. Pokazivač goriva
22. Ikonica ventilatora
23. Turbo indikator
24. Indikator brzine vazduha
25. Ikonica tempomata
26. Ikonica za bateriju

⚠ UPOZORENJE: Bezbedna upotreba ovog proizvoda zahteva razumevanje informacija na alatu i u ovom priručniku sa uputstvima, kao i znanje o projektu koji planirate. Pre upotrebe ovog proizvoda, upoznajte se sa svim radnim funkcijama i sigurnosnim pravilima.

SASTAVLJANJE

⚠ UPOZORENJE: Ako su neki delovi oštećeni ili nedostaju, nemojte koristiti ovaj proizvod dok delovi ne budu zamenjeni. Korišćenje ovog proizvoda sa oštećenim ili nedostajućim delovima može dovesti do ozbiljnih telesnih povreda.

⚠ UPOZORENJE: Ne pokušavajte da modifikujete ovaj proizvod ili da pravite dodatke koji nisu preporučeni za korišćenje sa ovim duvačem. Svaka takva promena ili modifikacija je zloupotreba i može dovesti do opasnih uslova koji mogu da dovedu do ozbiljnih telesnih povreda.

⚠ UPOZORENJE: Da biste sprečili nehotično pokretanje koje bi moglo izazvati ozbiljne telesne povrede, uvek uklonite baterije iz alata kad sklapate delove.

SKLAPANJE CEVI DUVAČA

Povezivanje sklopa cevi kontrolne ručice na meh (slika C)

1. Umetnite gornji kraj cevi kontrolne ručice u meh do kraja.

2. Potpuno zategnite vijak na obujmici na mehu.

C-1	Obujmica
C-2	Vijak

Povezivanje cevi duvača na cev kontrolne ručice (slika D)

1. Olabavite i uklonite polugu za brzo oslobađanje i leptir navrtanj sa sklopa spojnice cevi fiksirane na cevi duvača.

D-1	Spojnica cevi
D-2	Leptir navrtanj

2. Poravnajte žleb na cevi duvača sa rebrom na cevi kontrolne ručice i navucite cev duvača na cev kontrolne ručice do kraja.
3. Umetnite iglu poluge za brzo oslobađanje i zatvorite polugu na spojnici cevi.
4. Zategnite leptir navrtanj da biste učvrstili spojnici cevi na njenom mestu.

Povezivanje sušene mlaznice na cev duvača (slika E, F)

1. Poravnajte žleb na mlaznici i rezu na cevi. Gurnite mlaznicu na cev dok čvrsto ne škljocne na svoje mesto.
2. Da biste skinuli mlaznicu, pritisnite i držite dugme za otpuštanje mlaznice da biste otpustili rezu, a zatim izvucite mlaznicu ravno iz cevi duvača.

E-1	Dugme za oslobađanje mlaznice
E-2	Reza

RUKOVANJE

⚠ UPOZORENJE: Nemojte dozvoliti da vas poznavanje ovog proizvoda učini nemarnim. Imajte na umu da je za nanošenje teških povreda dovoljan samo delić sekunde nepažnje.

⚠ UPOZORENJE: Ne koristite nikakve dodatke ili pribor koje nije preporučio proizvođač ovog proizvoda. Upotreba dodataka ili pribora koji nisu preporučeni može da dovede do ozbiljne telesne povrede.

⚠ UPOZORENJE: Uvek izvadite baterije iz proizvoda kad sklapate delove, podešavate, čistite ili kad ga ne koristite. Vadenje baterija će sprečiti nehotično pokretanje koje bi moglo da izazove ozbiljne telesne povrede.

Pre svake upotrebe pregledajte čitav proizvod radi oštećenih, nedostajućih ili labavih delova poput vijaka, navrtanja, zavrtnja, kapica itd. Čvrsto zategnite sve spojeve i kapice i ne rukujte ovih proizvodom dok svi nedostajući ili oštećeni delovi ne budu zamenjeni.

⚠ UPOZORENJE: Ako se desi hitan slučaj, odvojite direktno kopču na grudima da biste skinuli duvač.

PRIMENA

Možete koristiti ovaj proizvod za svrhe navedene ispod:

- Čišćenje tvrdih površina poput prilaza i trotoara.
- Održavanje terasa i prilaza čistim od lišća i borovih iglica.

NAPOMENA: Alat treba koristiti samo za propisanu svrhu. Svaka druga upotreba smatra se slučajem zloupotrebe.

INSTALIRANJE/VAĐENJE BATERIJA

NAPUNITE PRE PRVE UPOTREBE.

Koristite samo sa baterijama i punjačima navedenim na slici B:

NAPOMENA: Za najbolje performanse, preporučujemo upotrebu bilo koje EGO baterije od 56 V sa kapacitetom većim od 5,0 Ah.

Duvač ima dva aktivna odeljka za baterije na levoj i desnoj strani kućišta odeljka za baterije.

NAPOMENA! Duvač može da radi sa jednom ili dve baterije. Korišćenje dve baterije omogućava vam duže vreme rada i efikasno trošenje energije kojim upravlja PEAK POWER™ tehnologija.

Ako je baterija umetnuta u odeljak za bateriju označen sa 1 ili 2 na ploči ranca, odgovarajuća ikonica baterije će se osvetliti na LCD ekranu (slika G) nakon što uključite duvač.

G-1	Oznaka pozicije odeljka za bateriju
-----	-------------------------------------

■ Za instalaciju (slika H)

Poravnajte rebra baterije sa prorezima za montiranje i pritisnite bateriju nadole dok ne čujete „škljoc”. Ponovite proces da biste instalirali drugu bateriju.

■ Za uklanjanje (slika I)

Pritisnite dugmad za otpuštanje baterija i izvucite baterije.

⚠ UPOZORENJE: Uvek imajte u vidu položaj svojih stopala, dece ili kućnih ljubimaca kad pritisnete dugme za otključavanje baterije. Može doći do ozbiljnih povreda ako baterija ispadne. NIKAD ne vadite bateriju dok ste na visokom mestu.

POSTAVLJANJE RANCA DUVAČA

⚠ UPOZORENJE: Obucite se prikladno da biste smanjili rizik od povrede dok koristite ovaj alat. Ne nosite labavu odeću ili nakit. Nosite zaštitne naočare i zaštitu uva/sluha. Nosite duge radne pantalone, duboke cipele i rukavice. Ne nosite kratke pantalone, sandale, papuče i ne radite bosu.

Za podešavanje potpornih remena

1. Stavite ruke kroz naramenice da biste stavili duvač na leđa.
2. Podesite obe naramenice tako da se osećate udobno sa duvačem na leđima (slika J).
3. Zakopčajte kopču na grudima i podesite njenu dužinu ako je neophodno (slika K).
4. Zakopčajte kopču na struku i podesite njenu dužinu tako da vam ranac bude čvrsto oslonjen na kukove (slika L i M).
5. Ponovo podesite remena za ramena radi bezbednosti i udobnosti. Vodite računa da vam ranac stoji čvrsto na leđima, sa težinom oslonjenom na remen oko struka i bez prekomernih pokreta kad se pomerate (slika N).
6. Umetnite eventualni višak dužine kaiša oko struka u lastiš sa obe strane (slika O).
7. Da biste skinuli alat sa leđa, samo pritisnite kopče oko struka i na grudima da biste ih otkopčali (slika P).

Za podešavanje kontrolne ručice

1. Otpustite polugu za brzo oslobađanje da biste pomerili kontrolnu ručicu napred ili nazad prema potrebi (slika Q i R) a zatim zatvorite polugu za brzo oslobađanje da biste učvrstili ručicu na tom mestu.
2. Možete i da okrenete ručicu po potrebi, radi udobnosti (slika S).

Za podešavanje dužine cevi kontrolne ručice (slika T1, T2)

1. Otvorite polugu za brzo oslobađanje da biste pomerili cev duvača u udoban radni položaj.
2. Zatvorite polugu za brzo oslobađanje da biste učvrstili cev duvača na njenom mestu.

POKRETANJE/ZAUSTAVLJANJE DUVAČA

Okidač (slika U1, U2)

- Pritisnite okidač da biste uključili duvač. LCD ekran prikazuje merač goriva, ikonice baterije, indikator brzine vazduha.

- Brzina vazduha iz duvača se kontroliše okidačem. Što je okidač pritisnut dalje, to više vazduha ističe iz mlaznice. Podesite brzinu tako da odgovara poslu koji obavljate. Odgovarajuća ikonica brzine vazduha će se prikazati na LCD ekranu.
- Pustite okidač da biste isključili duvač. Posle 6 sekundi će se isključiti LCD ekran.

Turbo režim

Dok pritisnete i držite okidač, pritisnite turbo dugme da biste maksimizirali protok vazduha (slika U1). Turbo indikator i ikonica ventilatora će se osvetliti na LCD ekranu (slika U3).

NAPOMENA: Duvač će se vratiti na prethodnu brzinu kad budete pustili turbo dugme.

Model tempomata

Režim tempomata omogućava rad bez okidača.

Za uključivanje režima tempomata:

1. Pritisnite i držite okidač na željenoj brzini (slika U1).
2. Pritisnite dugme tempomata. Pustite dugme nakon što se ikonica tempomata pojavi na LCD ekranu (slika U4).
3. Pustite okidač a duvač će nastaviti da radi.

Ako pritisnete turbo dugme u režimu tempomata, možete privremeno da povećate brzinu vazduha na maksimalni nivo. Duvač će nastaviti da radi na prethodnoj brzini kad budete pustili turbo dugme.

Za isključivanje režima tempomata:

Ponovo pritisnite dugme tempomata da biste isključili režim tempomata. Ikonica tempomata na LCD ekranu će nestati.

Saveti za korišćenje duvača

- Koristite grablje i metlu da rastresete materijal pred duvanja. U prašnjavim uslovima, blago ovlažite površinu ako je voda dostupna.
- Pazite na decu, kućne ljubimce, otvorene prozore ili nedavno oprane automobile i duvajte materijal bezbedno dalje od njih.
- Nakon korišćenja duvača ili druge opreme, počistite za sobom!

ODRŽAVANJE

⚠ UPOZORENJE: Tokom servisiranja, koristite samo identične rezervne delove. Upotreba bilo kakvih drugih delova može da dovede do opasnosti ili da izazove oštećenje proizvoda. Da bi se osigurala sigurnost i pouzdanost, sve popravke treba da radi kvalifikovani servisni tehničar.

⚠ UPOZORENJE: Da biste izbegli ozbiljne telesne povrede, uvek izvadite bateriju iz proizvoda kad ga čistite ili održavate.

OPŠTE ODRŽAVANJE

Izbegavajte korišćenje rastvarača kada čistite plastične delove. Većina plastike je podložna oštećenjima od raznih tipova komercijalnih rastvarača i može se oštetiti njihovom upotrebom. Koristite čiste krpe da uklonite zemlju, prašinu, ulje, masnoću itd.

⚠ UPOZORENJE: Nemojte ni u kom trenutku dozvoliti da kočiona tečnost, benzin, proizvodi na bazi benzina, penetraciono ulje itd. dođu u kontakt sa plastičnim delovima. Hemikalije mogu da oštete, oslabe ili unište plastiku, što može da dovede do ozbiljne telesne povrede.

SKLADIŠTENJE

- Izvadite bateriju iz duvača.
- Očistite sav strani materijal iz ulaza vazduha na duvaču.
- Poravnajte dugme za skladištenje cevi duvača sa žlebom za kačenje cevi i zakačite cev duvača na kućište odeljka baterije (slika V i W).
- Skladištite u zatvorenom prostoru koji nije dostupan deci. Držite dalje od korozivnih sredstava, poput baštenskih hemikalija i soli za odmrzavanje.

V-1	Dugme za skladištenje cevi duvača
V-2	Žleb za kačenje cevi

Zaštita životne sredine



Ne odlažite električnu opremu, potrošene baterije i punjače u kućni otpad!

Odnesite ovaj proizvod u ovlašćeni pogon za reciklažu ili ga odvojite od ostalog smeća radi zasebnog prikupljanja.

Električni alati moraju se odneti u ekološki prihvatljiv pogon za reciklažu.

REŠAVANJE PROBLEMA

PROBLEM	UZROK	REŠENJE
Duvač ne radi.	<ul style="list-style-type: none">▪ Nema električnog kontakta između duvača i baterija.▪ Baterije su ispražnjene.▪ Baterije ili duvač su prevrući.	<ul style="list-style-type: none">▪ Izvadite bateriju, proverite kontakte i ponovo umetnite bateriju.▪ Napunite baterije.▪ Ohladite baterije i duvač dok temperatura ne padne ispod 67°C.
Brzina vazduha se značajno smanjuje.	<ul style="list-style-type: none">▪ Ulaz vazduha je blokiran prijavštinom.▪ Prekomerno habanje ventilatora motora.	<ul style="list-style-type: none">▪ Izvadite baterije, očistite prijavštinu.▪ Obratite se EGO servisnom centru radi popravke.
Greška LCD ekrana.	<ul style="list-style-type: none">▪ LCD sklop je pokvaren ili je žična veza LCD sklopa loša.	<ul style="list-style-type: none">▪ Obratite se EGO servisnom centru radi popravke.

GARANCIJA

EGO POLITIKA GARANCIJE

Posetite veb-lokaciju egopowerplus.com za potpune uslove i odredbe EGO politike garancije.

PROČITAJTE UPUTSTVO U CIJELOSTI!



PROČITAJTE KORISNIČKI PRIRUČNIK.

NAPOMENA! Ovo uputstvo dostupno je i u alternativnom obliku, npr. na internetskoj stranici.

⚠️ Preostale opasnosti! Osobe s elektroničkim uređajima poput srčanih elektrostimulatora prije upotrebe ovog proizvoda trebaju se posavjetovati sa svojim ljekarom. Rad električne opreme u neposrednoj blizini srčanih elektrostimulatora može uzrokovati smetnju ili kvar srčanog elektrostimulatora.

⚠️ UPOZORENJE! Radi osiguranja sigurnosti i pouzdanosti, sve popravke i zamjene treba obavljati kvalifikovani servisni tehničar.

SIGURNOSNI SIMBOLI

Svrha sigurnosnih simbola je skretanje pažnje na moguće opasnosti. Sigurnosni simboli i njihova objašnjenja zahtijevaju vašu potpunu pažnju i razumijevanje. Simboli upozorenja sami po sebi ne isključuju opasnost. Uputstva i upozorenja koja pružaju nisu zamjena za propisne mjere za prevenciju nesreća.

⚠️ UPOZORENJE! Prije upotrebe ovog alata pobrinite se da sva sigurnosna uputstva u ovom korisničkom priručniku, uključujući sve sigurnosne simbole kao što su "OPASNOST", "UPOZORENJE" i "OPREZ" pročitate s razumijevanjem. Zanemarivanje svih uputstava navedenih u nastavku može rezultirati strujnim udarom, požarom i/ili teškim tjelesnim povredama.

PREVENTIVNE MJERE ZA ZAŠTITU OD OŠTEĆENJA I INFORMATIVNE PORUKE

Korisniku pružaju važne informacije i/ili uputstva čije zanemarivanje može dovesti do oštećenja opreme ili drugih materijalnih šteta. Svakoj poruci prethodi riječ "NAPOMENA", kako je prikazano u primjeru u nastavku:

NAPOMENA! U slučaju zanemarivanja ovih uputstava može doći do oštećenja opreme i/ili materijalnih šteta.



⚠️ UPOZORENJE! Rukovanje električnim alatima može rezultirati odbacivanjem stranih predmeta u oči, što opet može izazvati teška oštećenja očiju. Prije početka rukovanja električnim alatom, uvijek nosite zatvorene zaštitne naočale ili zaštitne naočale s bočnim štitnicima, a prema potrebi i štitnik za cijelo lice. Preporučujemo nošenje sigurnosne maske proizvođača Wide Vision preko naočala ili nošenje standardnih zaštitnih naočala s bočnim štitnicima.

SIGURNOSNA UPUTSTVA

Na ovoj stranici slikovno su prikazani i objašnjeni sigurnosni simboli koji se mogu pojaviti na ovom proizvodu. Prije pokušaja sastavljanja i rukovanja, s razumijevanjem pročitate sva uputstva na proizvodu i pridržavajte ih se.



Simbol upozorenja



Kada upotrebljavate ovaj proizvod, uvijek nosite zatvorene zaštitne naočale ili zaštitne naočale s bočnim štitnicima i štitnik za cijelo lice.



Kada upotrebljavate ovaj proizvod, uvijek nosite zaštitu za sluh.



Radi smanjenja opasnosti od povreda, prije upotrebe ovog proizvoda korisnik treba pročitati korisnički priručnik.



Sve prisutne osobe držite na udaljenosti od najmanje 15 m.



Ovaj proizvod je u skladu s primjenjivim direktivama EU.



Ovaj proizvod je u skladu s važećim zakonodavstvom Velike Britanije.



Otpadni električni proizvodi ne smiju se odlagati s otpadom iz domaćinstva. Odnosite ih u ovlašteni centar za reciklažu.

V Volt

A Amper

Hz Herc

W Vat

min Minute

m³/h Kubni metar po satu

km/h Kilometri po satu


≡ Istosmjerna struja

n₀ Brzina vrtnje bez opterećenja

.../min U minuti

IPX5 Zaštita od vodenog mlaza

TEHNIČKI PODACI

Napon	56 V 
Maksimalna količina zraka	1360 m ³ /h
Maksimalna brzina zraka	85 m/s
Maksimalna sila puhača lišća	26 N
Preporučena radna temperatura	-15 °C - 40 °C
Preporučena temperatura skladištenja	-20 °C - 70 °C
Masa puhača lišća (bez baterije sa cijevi)	7,4 kg
Izmjereni nivo zvučne snage L _{WA}	97 dB(A) K=1.2 dB(A)
Nivo zvučnog pritiska kod uha rukovaoca L _{PA}	86.2 dB(A) K=2.5 dB(A)
Zagarantovani nivo zvučne snage L _{WA} (u skladu s Direktivom 2000/14/EZ)	98 dB(A)
Vibracije a _h	0.4 m/s ² K=1.5 m/s ²

- Deklarisane ukupne vrijednosti vibracija izmjerene su u skladu sa standardnom metodom ispitivanja i mogu se primjenjivati za poređenje jednog alata s drugim.
- Deklarisane ukupne vrijednosti vibracija mogu se primjenjivati i u preliminarnoj procjeni izloženosti.

NAPOMENA! Emisija vibracija tokom aktuelne upotrebe električnog alata može se razlikovati od deklarisanе vrijednosti u kojoj se alat upotrebljavao; korisnik radi zaštite treba nositi rukavice i štitnike za uši u aktuelnim uslovima upotrebe.

SADRŽAJ PAKOVANJA (SL. A1)

OPIS

UPOZNAJTE SVOJ PUHAČ LIŠĆA (sl. A1 i A2)

1. Rukohvat
2. Dugmad za oslobađanje baterije
3. Bravica
4. Električni kontakti
5. Pomoćni rukohvat
6. Ulazni otvor za zrak
7. Mjehovi
8. Cijev upravljačkog rukohvata

9. Cijev puhača lišća
10. Upravljačka ručka
11. Pločica ledne baterije
12. Okretno dugme za skladištenje cijevi puhača lišća
13. Podesivi sistem za nošenje na leđima
14. Konusna mlaznica
15. Dugme tempomata
16. LCD ekran
17. Dugme turbo režima rada
18. Okidni prekidač
19. Žlijeb za vješanje cijevi
20. Ručica za brzo otpuštanje
21. Mjerač goriva
22. Ikona ventilatora
23. Indikator turbo režima rada
24. Indikator brzine zraka
25. Ikona tempomata
26. Ikona baterije

⚠ UPOZORENJE! Sigurna upotreba ovog proizvoda zahtijeva razumijevanje informacija na alatu i u ovom uputstvu za upotrebu, kao i poznavanje radova koje namjeravate obaviti. Prije upotrebe ovog proizvoda upoznajte se sa svim radnim funkcijama i sigurnosnim propisima.

SASTAVLJANJE

⚠ UPOZORENJE! Ako je bilo koji dio oštećen ili ako nedostaje, nemojte upotrebljavati ovaj proizvod dok ne zamijenite dijelove. Upotreba ovog proizvoda oštećenih dijelova ili dijelova koji nedostaju može rezultirati teškim tjelesnim povredama.

⚠ UPOZORENJE! Nemojte pokušavati da modifikujete ovaj proizvod ili da pravite pribor koji nije preporučen za upotrebu s ovim puhačem lišća. Sve takve izmjene ili modifikacije predstavljaju nepropisnu upotrebu i mogu rezultirati opasnim stanjima koja mogu dovesti do mogućih teških tjelesnih povreda.

⚠ UPOZORENJE! Radi sprečavanja iznenadnog pokretanja koje može uzrokovati teške tjelesne povrede, uvijek izvadite baterije iz alata kada postavljate dijelove.

POSTAVLJANJE CIJEVI PUHAČA LIŠĆA

Spajanje sklopa cijevi upravljačke ručke s mjevovima (sl. C)

- Gornji kraj cijevi upravljačke ručke umetnite u mjevove do kraja.
- Potpuno pritegnite vijak u steznoj objumnici na mjevovima.

C-1	Stezna objumnica
C-2	Vijak

Spajanje cijevi puhača lišća sa cijevi upravljačke ručke (sl. D)

- Otpustite i uklonite ručicu za brzo otpuštanje i krilnu maticu sa sklopa objumnice cijevi pričvršćenog na cijevi puhača lišća.

D-1	Objumnica cijevi
D-2	Krilna matica

- Poravnajte žlijeb u cijevi puhača lišća s rebrom na cijevi upravljačkog rukohvata i do kraja gurnite cijev puhača lišća preko cijevi upravljačke ručke.
- Umetnite osovinicu ručice za brzo otpuštanje i zatvorite ručicu na objumnici cijevi.
- Pritegnite krilnu maticu za učvrstite objumnicu cijevi.

Spajanje konusne mlaznice sa cijevi puhača lišća (sl. E, F)

- Poravnajte žlijeb u mlaznici s bravicom na cijevi. Gurajte mlaznicu preko cijevi dok sigurno ne ulegne u mjesto.
- Za uklanjanje mlaznice pritisnite dugme za otpuštanje mlaznice i držite ga pritisnutim da deaktivirate bravicu i mlaznicu zatim povucite ravno sa cijevi puhača lišća.

E-1	Dugme za otpuštanje mlaznice
E-2	Bravica

RAD

⚠ UPOZORENJE! Nemojte dozvoliti da vas poznavanje ovog proizvoda učini nepažljivim. Imajte na umu da je za nanošenje teških povreda dovoljan samo djelić sekunde nepažnje.

⚠ UPOZORENJE! Nemojte upotrebljavati priključke ili pribor koje nije preporučio proizvođač ovog proizvoda. Upotreba nepreporučenih priključaka ili pribora može rezultirati teškim tjelesnim povredama.

⚠ UPOZORENJE! Kada postavljate dijelove, obavljate radove podešavanja, čišćenja ili kada ne upotrebljavate proizvod, baterije uvijek izvadite iz proizvoda. Vađenjem baterija spriječit će se iznenadno pokretanje koje može rezultirati teškim tjelesnim povredama.

Prije svake upotrebe pregledajte cijeli proizvod i provjerite ima li oštećenih dijelova, dijelova koji nedostaju ili otpuštenih dijelova, kao što su vijci, matice, osovinice, kapice, itd. Dobro pritegnite sve pričvršne elemente i kapice i nemojte upotrebljavati ovaj proizvod dok ne postavite sve dijelove koji nedostaju ili zamijenite sve oštećene dijelove.

⚠ UPOZORENJE! Ako se nađete u hitnoj situaciji, odmah odvojite prсну kopču da skinete puhač lišća.

PRIMJENA

Ovaj proizvod možete upotrebljavati za svrhe navedene u nastavku:

- Čišćenje čvrstih površina kao što su putevi i staze.
- Održavanje trijemova i puteva očišćenim od lišća i borovih iglica.

NAPOMENA! Alat se smije upotrebljavati samo za prethodno opisanu namjenu. Svaka druga upotreba smatra se nepropisnom upotrebom.

POSTAVLJANJE/SKIDANJE BATERIJA

BATERIJE NAPUNITE PRIJE PRVE UPOTREBE.

Proizvod upotrebljavajte samo s baterijama i punjačima koji su navedeni na sl. B.

NAPOMENA! Za optimalan radni učinak preporučujemo upotrebu EGO baterije od 56 V kapaciteta većeg od 5,0 Ah. Puhač lišća ima dva aktivna pretinca za baterije na lijevoj i desnoj strani kućišta pretinca za baterije.

NAPOMENA! Puhač lišća može raditi s jednom baterijom ili dvije baterije. Upotreba dviju baterija omogućuje duže vrijeme rada i učinkovitu potrošnju energije kojom upravlja tehnologija PEAK POWER™.

Ako je baterija umetnuta u pretinac za baterije označen s 1 ili 2 na pločici ledne baterije, nakon uključivanja puhača lišća na LCD ekranu (sl. G) svijetli odgovarajuća ikona baterije.

G-1	Oznaka položaja pretinca za baterije
-----	--------------------------------------

■ Postavljanje (sl. H)

Poravnajte kontakte baterije s montažnim utorima i pritišćite bateriju prema dolje dok ne začujete zvuk klikanja. Ponovite postupak za postavljanje druge baterije.

■ Skidanje (sl. I)

Pritisnite dugmad za oslobađanje baterije i izvucite baterije.

⚠ UPOZORENJE! Kada pritisćete dugme za oslobađanje baterije, uvijek pazite gdje vam se nalaze stopala, djeca ili kućni ljubimci. U slučaju pada baterije može doći do teških povreda. Bateriju nemojte NIKADA vaditi kada se nalazite visokom položaju.

POZICIONIRANJE PUHAČA LIŠČA S LEDNOM BATERIJOM

⚠ UPOZORENJE! Obucite se propisno kako biste smanjili rizik od povreda tokom rukovanja alatom. Nemojte nositi široku odjeću ili nakit. Nosite zaštitu za oči i uši/sluh. Nosite robusne duge hlače, čizme i rukavice. Nemojte nositi kratke hlače, sandale ili biti bosonogi.

Podešavanje sistema za nošenje na leđima

1. Provucite ruke kroz ramene trake da poduprete puhač lišća na leđima.
2. Objе ramene trake podešavajte dok vam ne bude ugodno s puhačem lišća na leđima (sl. J).
3. Zatvorite prsnu kopču i prema potrebi podesite dužinu (sl. K).
4. Zatvorite pojasnu kopču i podesite dužinu tako da vam kukovi dobro podupiru lednu bateriju (sl. L i M).
5. Ponovo podesite ramene trake radi sigurnosti i udobnosti. Uvjerite se da je ledna baterija dobro namještena na vašim leđima, tako da njenu masu podržava pojasna traka i da se previše ne pomjera kada se krećete (sl. N).
6. Umetnite višak trake oko pojasa u gumu sa svake strane (sl. O).
7. Za skidanje alata s leđa jednostavno pritisnite pojasnu i prsnu kopču da ih otpustite (sl. P).

Podešavanje upravljačke ručke

1. Otpustite ručicu za brzo otpuštanje da upravljačku ručku prema potrebi pomaknete naprijed ili nazad (sl. Q i R), a zatim upotrijebite ručicu za brzo otpuštanje da učvrstite ručku u mjestu.
2. Ručku prema potrebi možete i okrenuti radi ugodnijeg položaja (sl. S).

Podešavanje dužine cijevi upravljačke ručke (sl. T1, T2)

1. Otpustite ručicu za brzo otpuštanje da cijev puhača lišća pomaknete u položaj ugodan za rad.
2. Upotrijebite ručicu za brzo otpuštanje da cijev puhača lišća učvrstite u mjestu.

POKRETANJE/ZAUSTAVLJANJE PUHAČA LIŠČA

Okidni prekidač (sl. U1, U2)

- Pritisnite okidni prekidač da uključite puhač lišća. Na LCD ekranu prikazuju se mjerač goriva, ikona baterije i indikator brzine zraka.
- Brzinom zraka puhača lišća upravlja se putem okidnog prekidača. Što je okidni prekidač više pritisnut, više zraka izlazi iz mlaznice. Prilagodite brzinu trenutnom zadatku. Na LCD zaslonu prikazuje se odgovarajuća ikona brzine zraka.
- Za isključivanje puhača lišća otpustite okidni prekidač. Nakon 6 sekundi isključuje se LCD ekran.

Turbo režim rada

Pritisnite okidač i držite ga pritisnutim, a zatim pritisnite dugme za turbo režim rada da maksimizirate protok zraka (sl. U1). Na LED ekranu svijetle indikator turbo režima rada i ikona ventilatora (sl. U3).

NAPOMENA! Kada se dugme za turbo režim rada otpusti, puhač lišća vraća se na prethodnu brzinu.

Model tempomata

Režim rada tempomata omogućuje rad bez okidnog prekidača.

Aktivacija režima rada tempomata:

1. Pritisnite okidni prekidač i držite ga pritisnutim na željenoj brzini (sl. U1).
2. Pritisnite dugme tempomata. Dugme otpustite kada se ikona tempomata pojavi na LCD ekranu (sl. U4).
3. Otpustite okidni prekidač. Puhač lišća nastavlja s radom.

Pritiskom na dugme za turbo režim rada u režimu rada tempomata možete privremeno povećati brzinu zraka do maksimalnog nivoa. Kada se otpusti dugme turbo režima rada, puhač lišća nastavlja s prethodnom brzinom.

Deaktivacija režima rada tempomata:

Za deaktivaciju režima rada tempomata ponovo pritisnite dugme tempomata. Ikona tempomata na LCD ekranu nestaje.

Savjeti za upotrebu puhača lišća

- Za odvajanje otpada prije otpuivanja upotrebljavajte grablje i metle. U prašnjavim uslovima blago navlažite površine ako je voda dostupna.
- Pazite na djecu, kućne ljubimce, otvorene prozore ili svježe oprane automobile i na siguran način otpustite otpad.
- Puhače lišća ili drugu opremu očistite nakon upotrebe!

ODRŽAVANJE

⚠ UPOZORENJE! Kada obavljate radove servisiranja, upotrebljavajte samo identične zamjenske dijelove. Upotreba drugih dijelova može uzrokovati opasnost ili oštećenje proizvoda. Radi osiguranja sigurnosti i pouzdanosti, sve popravke treba obavljati kvalifikovani servisni tehničar.

⚠ UPOZORENJE! Radi izbjegavanja teških tjelesnih povreda, uvijek izvadite bateriju iz proizvoda prije obavljanja radova čišćenja ili održavanja.

OSNOVNO ODRŽAVANJE

Kada čistite plastične dijelove, izbjegavajte upotrebljavati rastvore. Mnoge plastike mogu se oštetiti različitim vrstama komercijalnih rastvora i mogu se oštetiti njihovom upotrebom. Za uklanjanje prljavštine, prašine, ulja, masti i sl. upotrebljavajte čiste krpe.

⚠ UPOZORENJE! Nemojte nikada dozvoliti da kočione tekućine, benzin, proizvodi na bazi nafte, penetrirajuća ulja i sl., dođu u kontakt s plastičnim dijelovima. Hemikalije mogu oštetiti, oslabiti ili uništiti plastiku, što može rezultirati teškim tjelesnim povredama.

SKLADIŠTENJE

- Izvadite bateriju iz puhača lišća.
- Očistite sav strani materijal iz ulaznih otvora za zrak puhača lišća.
- Poravnajte okretno dugme za skladištenje cijevi puhača lišća sa žlijebom za vješanje cijevi i zakačite cijev puhača lišća na kućište pretinca za bateriju (sl. V i W).
- Alat skladištite u zatvorenom prostoru na mjestu nedostupnom djeci. Alat držite podalje od korozivnih sredstava kao što su vrtna hemijska sredstva i soli za odmrzavanje.

V-1	Okretno dugme za skladištenje cijevi puhača lišća
V-2	Žlijeb za vješanje cijevi

Zaštita životne sredine



Električnu opremu, iskorištenu bateriju i punjač ne odlažite u kućni otpad!

Ovaj proizvod odnesite u ovlaštenu centar za reciklažu i time omogućite odvojeno sakupljanje. Električne alate potrebno je vratiti u ekološki prihvatljiv pogon za reciklažu.

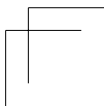
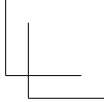
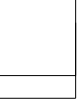
OTKLANJANJE PROBLEMA

PROBLEM	UZROK	RJEŠENJE
Puhač lišća ne radi.	<ul style="list-style-type: none">■ Nema električnog kontakta između puhača lišća i baterija.■ Baterije su ispražnjene.■ Baterije su previše vruće ili puhač lišća je previše vruć.	<ul style="list-style-type: none">■ Izvadite bateriju, provjerite kontakte i ponovo umetnite bateriju.■ Napunite baterije.■ Pričekajte da se baterije i puhač lišća ohlade na temperaturu ispod 67°C.
Brzina zraka primjetno se smanjuje.	<ul style="list-style-type: none">■ Ulazni otvor za zrak blokiran je naslagama.■ Prekomjerna istrošenost ventilatora motora.	<ul style="list-style-type: none">■ Izvadite baterije, očistite naslage.■ Za popravak se obratite servisnom centru proizvođača EGO.
Kvar LCD ekrana.	<ul style="list-style-type: none">■ Kvar sklopa LCD-a ili loš kablovski spoj sklopa LCD-a.	<ul style="list-style-type: none">■ Za popravak se obratite servisnom centru proizvođača EGO.

GARANCIJA

POLITIKA GARANCIJE PROIZVOĐAČA EGO

Za sve odredbe i uslove politike garancije proizvođača EGO posjetite internetsku stranicu egopowerplus.com.



استكشاف الأعطال وإصلاحها

المشكلة	السبب	الحل
المنفاخ لا يعمل.	<ul style="list-style-type: none"> لا يوجد اتصال كهربائي بين المنفاخ والبطاريات. نقد شحن البطاريات. البطارية أو المنفاخ ساخنان للغاية. 	<ul style="list-style-type: none"> او، تجرأبطبلا علخافحص التوصيلات، ثم أعد تركيب البطارية. اشحن البطاريات. تارك البطارية والمنفاخ يبردان إلى أن تصل درجة حرارتهما إلى أقل من 67 درجة مئوية.
سرعة الهواء تقل بشكل ملحوظ.	<ul style="list-style-type: none"> منخل الهواء مسدود بالعوالق. مروحة المحرك متهاكة بشكل زائد. 	<ul style="list-style-type: none"> اخلع البطاريات، ونظفها من العوالق. عملصاوتمركز صيانة شركة EGO لإصلاح العيب.
عطل في شاشة LCD.	<ul style="list-style-type: none"> مجموعة شاشة LCD معطوبة أو هناك اتصال سلكي سيء في مجموعة شاشة LCD. 	<ul style="list-style-type: none"> تواصل مع مركز صيانة شركة EGO لإصلاح العيب.

الضمان

سياسة ضمان EGO

EGO. لتتعرف على الشروط والأحكام الكاملة الخاصة بسياسة ضمان egopowerplus.com تفضل زيارة الموقع الإلكتروني

- استخدم الجرافات والمكانس لتفكيك العوائل قبل نفضها. في الظروف المتربة، بلل الأسطح قليلاً عند توافر الماء.
- انتبه للأطفال أو الحيوانات الأليفة أو النوافذ المفتوحة أو السيارات المغسولة حديثاً، واحرص على نفض العوائل بشكل آمن.
- بعد استخدام المنفاخ والمعدات الأخرى، قم بالتنظيف!

الصيانة

- ⚠ تحذير:** استخدم فقط قطع غيار أصلية عند إجراء أعمال الصيانة. لأن استخدام أي أجزاء أخرى قد ينشأ عنه خطر أو يتسبب في تعرض المنتج للتلف. لضمان السلامة والاعتمادية، يجب تنفيذ جميع أعمال الإصلاح من قبل فني خدمة مؤهل.
- ⚠ تحذير:** لتجنب التعرض لإصابات خطيرة، احرص دائماً على خلع البطارية من المنتج عند تنظيفه أو إجراء أي أعمال صيانة عليه.

الصيانة العامة

- تجنب استخدام المنظفات عند تنظيف الأجزاء البلاستيكية. غالبية المكونات البلاستيكية تكون سريعة التأثير بالأنواع المختلفة للمنظفات الموجودة بالسوق، وقد تتلف نتيجة استخدامها عليها. استخدم قطعة قماش نظيفة لإزالة الأوساخ والأتربة والزيوت والشحوم وما شابههم.
- ⚠ تحذير:** لا تسمح في أي وقت من الأوقات بملامسة سوائل الفرمال أو المواد البترولية أو المنتجات القائمة على البترول أو الزيت المتغلغل أو ما شابههم للأجزاء البلاستيكية من المنشار. لأن المواد الكيميائية قد تتسبب في تلف الأجزاء البلاستيكية أو ضعفها أو تدميرها، وهو ما قد يؤدي إلى وقوع إصابات خطيرة.

التخزين

- اخلع البطارية من المنفاخ.
- نظف فتحات دخول الهواء الخاصة بالمنفاخ من جميع المواد الغريبة.
- قم بمحاذاة بكرة تخزين أنبوب المنفاخ مع تجويف تثبيت الأنبوب، وأشبك أنبوب المنفاخ في هيكل حجييرة البطارية (الشكل V و W).
- يجب تخزين المنتج في مكان مغلق لا يمكن الوصول إليه من قبل الأطفال. احفظ بالمنتج بعيداً عن المواد المسببة للتآكل مثل كيماويات الحديقة وملح إذابة الجليد.

V-1	بكرة تخزين أنبوب المنفاخ
V-2	تجويف تثبيت الأنبوب

حماية البيئة

- لا تتخلص من المعدات الكهربائية أو البطارية المستهلكة أو الشاحن في النفايات المنزلية! بل توجه بهذا المنتج إلى مركز إعادة تدوير معتمد ليكون متاحاً للفرز بشكل منفرد. تجنب إعادة الألات الكهربائية إلى مرفق إعادة تدوير صديق للبيئة.



ضبط مقبض التحكم

1. حرر ذراع التحرير السريع لتحريك مقبض التحكم للأمام أو للخلف بحسب الحاجة (الشكلان Q و R)، ثم استخدم ذراع التحرير السريع لتثبيت المقبض في مكانه.
2. يمكنك أيضاً تدوير المقبض بحسب الحاجة لمزيد من الراحة (الشكل S).

ضبط طول أنبوب مقبض التحكم (الشكلان T1 و T2)

1. حرر ذراع التحرير السريع لتحريك أنبوب المنفاخ إلى وضع تشغيل مربع.
2. قم بتعشيق ذراع التحرير السريع لتأمين أنبوب المنفاخ في مكانه.

بدء تشغيل/إيقاف المنفاخ

المفتاح الزنبركي (الشكلان U1 و U2)

- اضغط على المفتاح الزنبركي لتشغيل المنفاخ. تعرض شاشة LCD مقياس الوقود، وأيقونة البطارية، ومؤشر سرعة الهواء.
- يتم التحكم في سرعة هواء المنفاخ باستخدام المفتاح الزنبركي. كلما زاد الضغط على المفتاح الزنبركي، زاد تدفق الهواء من الفوهة. اضبط السرعة بحيث تلائم المهمة التي تقوم بها. يتم عرض أيقونة سرعة الهواء المقابلة على شاشة LCD.
- اترك المفتاح الزنبركي لإيقاف المنفاخ. بعد 6 ثوانٍ تنطفئ شاشة LCD.

وضع "تربو"

- بينما تضغط مع التثبيت على المفتاح الزنبركي، اضغط على زر وضع «تربو» لزيادة تدفق الهواء (الشكل U1). بضغطة مؤشر وضع «تربو» وأيقونة المروحة على شاشة LCD (الشكل U3).

ملاحظة: يعود المنفاخ إلى العمل بالسرعة السابقة عند ترك زر وضع «تربو».

وضع مثبت السرعة

يقدم لك وضع مثبت السرعة إمكانية التشغيل من دون المفتاح الزنبركي.

لتعشيق وضع مثبت السرعة:

1. اضغط لأسفل على المفتاح الزنبركي مع التثبيت وصولاً إلى السرعة المرغوبة (الشكل U1).
2. اضغط على زر مثبت السرعة. حرر الزر بعد ظهور أيقونة مثبت السرعة على شاشة LCD (الشكل U4).
3. بعد تحرير المفتاح الزنبركي، يستمر المنفاخ في العمل. قد يؤدي الضغط على زر وضع «تربو» بعد تشغيل وضع مثبت السرعة إلى زيادة سرعة الهواء إلى الحد الأقصى مؤقتاً. بواصل المنفاخ العمل بالسرعة السابقة عند ترك زر وضع «تربو».

لإلغاء تعشيق وضع مثبت السرعة:

اضغط على زر مثبت السرعة مرة أخرى لإلغاء تعشيق وضع مثبت السرعة. تختفي أيقونة مثبت السرعة الموجودة على شاشة LCD.

نصائح خاصة باستخدام المنفاخ

تركيب/خلع البطاريات

إسحن البطارية قبل الاستخدام لأول مرة.

لا تستخدم الآلة إلا مع البطاريات والشواحن المدرجة في الشكل B. **ملاحظة:** للحصول على أفضل أداء، نوصي باستخدام أي بطارية EGO بجهد كهربائي 56 فولت وسعة أعلى من 5.0 أمبير في الساعة.

يحتوي المنفاخ على حبيرتين نشطتين للبطارية على الجانب الأيسر والأيمن من هيكل حبيرة البطارية.

ملاحظة: يمكن أن يعمل المنفاخ ببطارية واحدة أو بطارتين. استخدام بطارتين يمنحك وقت تشغيل أطول وكفاءة استهلاك للطاقة أعلى تتم إدارتها من خلال تقنية PEAK POWER™.

إذا تم إدخال بطارية في حبيرة البطارية المميزة بالرقم 1 أو 2 في لوحة الحمل على الظهر، يضيء رمز البطارية المقابل على شاشة LCD (الشكل G) بعد تشغيل المنفاخ.

G-1	علامة موضع حبيرة البطارية للتركيب (الشكل H)
-----	---

قم بمحاذاة دعامات البطارية مع فتحات التركيب، واضغط على البطارية لأسفل إلى أن تسمع صوت "نقرة". كرر العملية لتركيب البطارية الثانية.

■ للخلع (الشكل I)

اضغط لأسفل على زر أزرار تحرير البطارية، واسحب البطاريات للخارج.

تحذير: احرص دائماً على الانتباه لموقع قدميك أو الأطفال أو الحيوانات الأليفة عند الضغط على زر تحرير البطارية. فقد تقع إصابات خطيرة إذا سقطت البطارية. لا تقم أبداً بخلع البطارية وأنت في مكان شاهق الارتفاع.

ضبط وضع المنفاخ المحمول على الظهر

تحذير: احرص على ارتداء ملابس ملائمة للحد من خطر التعرض لإصابات أثناء تشغيل هذه الآلة. لا ترتد ملابس أو مجوهرات غير ثابتة. ارتد أدوات حماية العينين والأذنين/السمع. احرص على ارتداء نظال طويل قوي، وحذاء ذي رقيقة، وقفازات. لا ترتد بناطيل قصيرة أو صنادل أو أن تكون حافي القدمين.

لضبط حمالة الدعم

1. ضع ذراعك عبر أحزمة الكتف لتدعم المنفاخ على ظهرك.
2. اضبط كلا حزامي الكتف إلى تشعر بالراحة مع وجود المنفاخ على ظهرك (الشكل J).
3. اشبك إبريزم الصدر واضبط طولها عند اللزوم (الشكل K).
4. اشبك إبريزم الخصر واضبط طولها بحيث تكون المجموعة المحمولة على الظهر مدعومة جيداً بأوراكك (الشكل L و M).
5. أعد ضبط أحزمة الكتف لزيادة التأمين والراحة. تأكد من ثبات المجموعة المحمولة على الظهر بشكل آمن على ظهرك، بحيث يكون الوزن مدعوماً بحزام الخصر، وبدون حركة زائدة عند تحريك (الشكل N).
6. أدخل أي طول زائد موجود في الحزام حول الخصر في الفتحات المطاطية على كلا الجانبين (الشكل O).
7. لخلع الآلة عن ظهرك، ما عليك سوى الضغط على إبريزمي الخصر والصدر لتحريرها (الشكل P).

D-1	مشبك الأنبوب
D-2	صامولة مجنحة

2. قم بمحاذاة التجويف الموجود في أنبوب المنفاخ مع الدعامة الموجودة في أنبوب مقبض التحكم، أدخل أنبوب المنفاخ في أنبوب مقبض التحكم حتى النهاية.
3. أدخل ديوس ذراع التحرير السريع، وأغلق الذراع على مشبك الأنبوب.
4. اربط الصامولة المجنحة لتثبيت مشبك الأنبوب في مكانه.

توصيل الفوهة المخروطية في أنبوب المنفاخ (الشكلان E و F)

1. قم بمحاذاة التجويف الموجود بالفوهة مع اللسان الموجود بالأنبوب. ادفع الفوهة في الأنبوب إلى أن تثبت في مكانها بإحكام.
2. إزالة الفوهة، اضغط مع التثبيت على زر تحرير الفوهة لفك تعشيق اللسان، ثم اسحب الفوهة للخارج بعيداً عن أنبوب المنفاخ.

E-1	زر تحرير الفوهة
E-2	اللسان

التشغيل

تحذير: لا تسمح لاعتيادك على تشغيل هذا المنتج أن يجعلك مستهتراً عند التعامل معه. ولا تنس أن الاستهتار لجزء من الثانية كافٍ للتسبب في حدوث إصابات خطيرة.

تحذير: لا تستخدم أي مرفقات أو ملحقات سوى تلك الموصى بها من قبل الشركة الصانعة لهذا المنتج. لأن استخدام مرفقات أو ملحقات غير موصى بها قد يؤدي إلى وقوع إصابات شخصية خطيرة.

تحذير: احرص دائماً على خلع البطاريات من المنتج عند تجميع الأجزاء، أو عمل التعديلات، أو التنظيف، أو عند عدم الاستخدام. خلع البطاريات سيمنع بدء التشغيل غير المقصود، وهو ما قد يؤدي إلى وقوع إصابات شخصية خطيرة.

قبل كل استخدام، افحص المنتج بأكمله بحثاً عن الأجزاء التالفة أو المفقودة أو المفكوكة، مثل المسامير الملوية والصواميل والمسامير والأغطية وما شابه. اربط جميع عناصر التثبيت والأغطية بإحكام، ولا تقم بتشغيل هذا المنتج إلا بعد استبدال جميع الأجزاء المفقودة أو التالفة.

تحذير: إذا واجهت أي أزمة طارئة، افصل إبريزم الصدر على الفور لخلع المنفاخ عنك.

الاستخدام

يمكنك استخدام هذا المنتج للأغراض الموضحة أدناه:

- تنظيف الأسطح الصلبة، مثل الطرقات الخاصة بشمالو.
- المحافظة على خلو الأرضيات والطرقات الخاصة من أوراق الشجر وأوراق شجر الصنوبر.

ملاحظة: يجب استخدام الآلة للعرض المحدد لها فقط. أي استخدام آخر يعد حالة من حالات سوء الاستخدام.

المواصفات

10. مقبض التحكم
11. لوحة الحمل على الظهر
12. بكرة تخزين أنبوب المنفاخ
13. حَمَّالة دعم قابلة للضبط
14. الفوهة المخروطية
15. زر مثبت السرعة
16. شاشة LCD
17. زر وضع "تربو"
18. المفتاح الزنبركي
19. تجويف تثبيت الأنبوب
20. رافعة التحرير السريع
21. مقياس الوقود
22. أيقونة المروحة
23. مؤشر وضع "تربو"
24. مؤشر سرعة الهواء
25. أيقونة مثبت السرعة
26. أيقونة البطارية

⚠ تحذير: كي تتمكن من استخدام هذا المنتج بشكل آمن، لا بد أن تفهم المعلومات الموجودة على الآلة وفي دليل التعليمات هذا، وكذا معرفة المهمة التي تنوي القيام بها. قبل استخدام هذا المنتج، اعد على التعامل مع جميع خصائص التشغيل وقواعد السلامة.

الجهد الكهربائي	56 فولت ---
الحد الأقصى لكمية الهواء	1360 م ³ /ساعة
الحد الأقصى لسرعة الهواء	85 م/ثانية
الحد الأقصى لقوة المنفاخ	26 نيوتن
درجة حرارة التشغيل الموصى بها	15- 40 درجة مئوية
درجة حرارة التخزين الموصى بها	20- 70 درجة مئوية
وزن المنفاخ (من دون بطارية مع الأنبوب)	7.4 كجم
مستوى قوة الصوت المُقدَّر L_{WA}	97 ديسيبل (A) K=1.2 ديسيبل (A)
مستوى ضغط الصوت عند أذن مُشغل الآلة L_{PA}	86.2 ديسيبل (A) K=2.5 ديسيبل (A)
مستوى قوة الصوت المضمون L_{WA} وفقاً للمعيار (EC/2000/14)	98 ديسيبل (A)
الاهتزاز a_h	0,4 م/ثانية ² K=1,5 م/ثانية ²

التجميع

⚠ تحذير: إذا حدث تلف أو فقد في أي أجزاء، لا تقم بتشغيل هذا المنتج إلا بعد استبدال الأجزاء. استخدام هذا المنتج مع وجود أجزاء تالفة أو مفقود قد يؤدي إلى وقوع إصابات شخصية خطيرة.

⚠ تحذير: لا تحاول إجراء أي تعديلات على هذا المنتج أو ابتداء ملحقات غير موصى بها للاستخدام مع هذا المنفاخ. أي تغيير أو تعديل من هذا النوع يعتبر سوء استخدام، وقد يؤدي إلى وضع خطير قد يتسبب في وقوع إصابات شخصية خطيرة محتملة.

⚠ تحذير: لمنع بدء التشغيل غير المقصود، والذي قد يؤدي إلى وقوع إصابات شخصية خطيرة، احرص دائماً على خلع البطاريات من الآلة عند تجميع الأجزاء.

تجميع أنابيب المنفاخ

توصيل مجموعة أنبوب مقبض التحكم بالمفصل المرن (الشكل C)

1. أدخل الطرف العلوي لأنبوب مقبض التحكم في المفصل المرن حتى النهاية.
2. اربط المسامير الموجود بطوق التثبيت جيداً في المفصل المرن.

C-1	طوق التثبيت
C-2	مسامير

توصيل أنبوب المنفاخ في أنبوب مقبض التحكم (الشكل D)

1. قم بفك وإزالة ذراع التحرير السريع والصامولة المجنحة من مجموعة مشبك الأنبوب في أنبوب المنفاخ.

■ القيمة الكلية للاهتزاز الموضحة تم قياسها وفقاً لطريقة اختبار قياسية وقد تستخدم لمقارنة أداة بأخرى؛

■ كما يمكن استخدام القيمة الكلية للاهتزاز الموضحة في التقييم التمهيدي للتعرض.

■ إن شأ زارتها لا تاتحاجبنا فلتخت دق :فطحالم
فمقئلا ن ع ففأطلب قلامعلا قلالل مل عملما مادختسالا
ل غشم قفامحلو ؛اهف قلالا مادختسا متي يتلا قتل عملما
شايق اوو تازافق ءادنترا مدهختساملأ مل ع ففبن فف ،قلالا
قفل عملما مادختسالا فورظ فف نذال

قائمة المحتويات (الشكل A1)

الوصف

تعريف على المنفاخ (الشكل A1 وA2)

1. المقبض
2. أزرار تحرير البطارية
3. لسان
4. الوصلات الكهربائية
5. مقبض المساعدة
6. مدخل الهواء
7. المفصل المرن
8. أنبوب مقبض التحكم
9. أنبوب المنفاخ

تعليمات السلامة

هذه الصفحة تصف وتشرح رموز السلامة التي قد تظهر على هذا المنتج. اقرأ جميع التعليمات المذكورة على الآلة وافهمها واتبعها قبل محاولة تشغيل الآلة وتشغيلها.

ارتد دائماً نظارات الحماية المزودة بواقيات على الجانبين، وبنسخ ارتداء واقى لكامل الوجه أثناء تشغيل هذا المنتج.



تنبيه سلامة



للحد من خطر الإصابة، يجب على المستخدم قراءة دليل التشغيل قبل استخدام هذا المنتج.



احرص دائماً على ارتداء أدوات حماية الأذنين عند تشغيل هذا المنتج.



هذا المنتج متوافق مع توجيهات شهادة الجودة الأوروبية (CE) المعمول بها.



احتفظ بجميع الأشخاص المجاورين لك على مسافة لا تقل عن 15 مترًا عن مكان العمل.



لا يجب التخلص من الأجهزة الكهربائية المستهلكة في النفايات المنزلية. توجه بالجهاز إلى مركز إعادة تدوير معتمد.



هذا المنتج متوافق مع تشريعات المملكة المتحدة المعمول بها.



أمبير A

فولت V

واط W

هرتز Hz

متر مكعب في الساعة m³/h

دقائق min

تيار مستمر

كيلومتر في الساعة km/h

في الدقيقة min/ ...

السرعة بدون حمل n₀

الحماية من نفثات الماء IPX5

اقرأ جميع التعليمات!



اقرأ دليل التشغيل

ملاحظة: ينبغي أن تكون هذه التعليمات متاحة أيضًا بتنسيق آخر، مثلًا على موقع إلكتروني.

⚠️ خطر زائد! الأشخاص الذين تم تركيب أجهزة طبية إلكترونية لهم، مثل منظم ضربات القلب، يجب عليهم استشارة الطبيب قبل استخدام هذا المنتج. لأن تشغيل معدات كهربائية بالقرب من منظم ضربات القلب قد ينشأ عنه خلل أو فشل في أداء منظم ضربات القلب.

⚠️ تحذير: لضمان السلامة والاعتمادية، يجب تنفيذ جميع أعمال الإصلاح واستبدال الأجزاء من قبل فني خدمة مؤهل.

رموز السلامة

أبغرض من رموز السلامة هو جذب انتباهك إلى المخاطر المحتملة. رموز السلامة والشروح المصاحبة لها تستحق اهتمامك وفهمك الدقيق. تحذيرات كل رمز، بنفسها، لا تمنع وقوع أي خطر. التعليمات والتحذيرات التي تمنحك إياها لا تعد بديلاً عن تطبيق الإجراءات الملائمة لمنع وقوع الحوادث.

⚠️ تحذير: احرص على قراءة وفهم جميع تعليمات السلامة في دليل التشغيل هذا، بما في ذلك جميع رموز تنبيهات السلامة، مثل «خطر»، و**تحذير**، وتنبيه قبل استخدام هذه الآلة. عدم اتباع جميع التعليمات الواردة أدناه قد يؤدي إلى حدوث صدمة كهربائية أو نشوب حريق أو التعرض للإصابة الشخصية، أحدها أو جميعها.

منع الأضرار ورسائل المعلومات

تقوم هذه الرسائل بإطلاع المستخدم على معلومات و/أو تعليمات هامة قد تؤدي إلى وقوع أضرار على المعدات أو الممتلكات الأخرى إذا لم يتم اتباعها. كل رسالة تكون مسبقة بكلمة «ملاحظة»، كما هو موضح في المثال أدناه:

ملاحظة: قد تقع أضرار على المعدات و/أو الممتلكات إذا لم يتم اتباع هذه التعليمات.

⚠️ تحذير: قد يؤدي تشغيل أي آلة عاملة بالطاقة إلى دخول أي أشياء غريبة في عينيك، وهو ما قد يؤدي إلى إلحاق أضرار خطيرة بالعين. قبل بدء تشغيل الآلة العاملة بالطاقة، احرص دائمًا على ارتداء واقبات العينين أو نظارات حماية العينين ذات دروع جانبية، ودرع واق لكامل الوجه عند اللزوم. نوصي بارتداء قناع السلامة واسع الرؤية لاستخدامه فوق نظارات العين أو نظارات السلامة العادية ذات الدروع الجانبية.



הגנה על הסביבה

אין לזרוק ציוד חשמלי, מטעני סוללות וסוללות ביחד עם אשפה ביתית! קחו מוצרים אלו למרכז מחזור מוסמך ו-וודאו שהם זמינים לאיסוף נפרד. יש להחזיר כלים חשמליים אל מתקן מחזור המתאים לסביבה.



אחסון

- הסר את הסוללה מהמפוח.
- נקו את כל החומרים הזרים מפתחי כניסת האוויר של המפוח.
- יישרו את ידית אחסון צינור המפוח עם חריץ תליית הצינור ותלו את צינור המפוח על גבי גוף תא הסוללה (איור V-1).
- אחסנו את הכלי במקום סגור הרחק מהישג ידם של ילדים. הרחיקו מחומרים הגורמים לקורוזיה כגון כימיקלים לגינה ומלחים מסירי קרח.

V-1	ידית אחסון צינור המפוח
V-2	חריץ תליית הצינור

תועבב לופיטו רותיא

בעיה	סיבה	פתרון
המפוח אינו עובד.	<ul style="list-style-type: none"> ▪ לא מתבצע חיבור חשמלי בין המפוח לסוללות. ▪ אין מתח בסוללות. ▪ הסוללות או המפוח חמים מדי. 	<ul style="list-style-type: none"> ▪ תא וקדב, הללוסה תא וריסה תא שדחמ וסינכהו פירוביחה הללוסה. ▪ הטעינו את הסוללות. ▪ דע חופמה וא תוללוסה תא וררק 67°C-מ תוחפ לש הרוטרפמטל.
מהירות האוויר פוחתת באופן משמעותי.	<ul style="list-style-type: none"> ▪ פתח כניסת האוויר חסום על ידי פסולת. ▪ בלאי מוגבר של מאוורר המנוע. 	<ul style="list-style-type: none"> ▪ הסירו את הסוללות, נקו את הפסולת. ▪ לש תורישה זכרמ מע רשק רוצ ונקית ררוצל EGO.
תקלת מסך LCD.	<ul style="list-style-type: none"> ▪ מכלול ה-LCD שבור או חיבור חוט חשמל תקול במכלול ה-LCD. 	<ul style="list-style-type: none"> ▪ צור קשר עם מרכז השירות של EGO לצורך תיקון.

אחריות

מדיניות האחריות של EGO

EGO עבור התנאים וההתניות השלמים של מדיניות האחריות של egopowerplus.com אנא בקרו באתר

הטורבו משוחרר.

דגם בקרת שיט

מצב בקרת השיט מציע פעולות ללא מתג ההדק.

על מנת להפעיל את מצב בקרת שיט:

1. היוצרה תוריהמב קדהה גתמ תא וקזיחהו וצחל (U1 רויא).
2. וצחלה תא וררחש. טוישה תרקב וצחל לע וצחל LCD-ה רסמ לע עיפומ טוישה תרקב למסש רחאל (U4 רויא).
3. לועפל רישממ חופמה, קדהה גתמ תא וררחש לחיצה על כפתור הטורבו במצב בקרת שיט יכול להגדיל באופן זמני את מהירות האוויר לרמה המקסימלית. המפוח מחדש את המהירות הקודמת כאשר כפתור הטורבו משוחרר..

על מנת לבטל את מצב בקרת השיט:

בצמ תא לרטנל ידכ טוישה תרקב וצחל לע בוש וצחל סלעי LCD-ה רסמב טוישה תרקב למס. טוישה תרקב

טיפים לשימוש במפוח

- השתמשו במגרפות ומטאטאים לשחרור הפסולת לפני השימוש במפוח. בתנאי אבק, הרטיבו מעט את המשטחים אם יש מים בנמצא.
- שימו לב לילידים, חיות מחמד, חלונות פתוחים או מכוניות שה עתה נשטפו, ונשפו את הפסולת הרחק משם בביטחה.
- לאחר שימוש במפוחים או בציוד אחר, נקו אחריכם!

תחזוקה

⚠ אזהרה: במקרה של עבודות תיקון, השתמש רק בחלקי חילוף זיגום. שימוש בחלקי חילוף אחרים עלול לגרום לסכנה או נזק למוצר. על מנת להבטיח בטיחות ואמינות, יש לבצע את כל התיקונים וההחלפות בעזרת טכנאי שירות מוסמך.

⚠ אזהרה: על מנת למנוע פציעות אישיות, הסירו תמיד את הסוללה מן המוצר לפני הניקיון או ביצוע כל עבודת תחזוקה.

תחזוקה כללית

הימנע משימוש בממסים כאשר אתה מנקה את חלקי הפלסטיק. רוב חלקי הפלסטיק עלולים להינזק מסוגים שונים של ממסים מסחריים ועל ידי השימוש בהם. השתמש במטליות נקיות על מנת להסיר לכלוך, אבק, שמן, חומר סיכה וכו'.

⚠ אזהרה: לעולם אל תיתנו לנוזלי בלימה, בנזין, מוצרים מבוססי בנזין, שמנים וכו', לבוא במגע עם חלקי פלסטיק. חומרים כימיים עלולים להזיק, להחליש או להרוס את הפלסטיק והדבר עלול לגרום לפגיעה אישית חמורה.

1. ידכ מייפנתכה תועוצר ררד מכיתועורו תא וליחשה סכבג לע חופמב רומתל
2. ושיגרתש דע מייפנתכה תועוצר יתש תא ומיאתה (J רויא) בגה לע חופמה סע חונב
3. יפל ררואה תא ומיאתהו הזחה סזבא תא וקדה (K רויא) ררצה
4. רכ וכרוא תא ומיאתהו נתומה סזבא תא וקדה (L רויא) מיינתומה ידי לע החטיבב רמתיי בגה קיתש (i-M).
5. תוחיטלב פתכה תועוצר תא שדחמ ומיאתה סכבג לע החטיבב בשוי בגה קיתש ואדוו. תוחונו הזזות אללו, ותומה תועוצר ידי לע רמתנ לקשמהשכ (N רויא) מיזז סתא רשאכ הריתי
6. ביבס הרוגחה לש פדועה ררואה לכ תא וסינכה (ויא) סידדצה ינשב טייטסלאה העוצרה רותל ותומה (O).
7. ימיזבא תא וצחל טושפ, סכבגמ ילכה תא קתנל ידכ (P רויא) סתוא ררחשל ידכ ותומהו הזחה

על מנת להתאים את ידית הבקרה

1. שחררו את הידית לשחרור מהיר כדי להזיז את ידית הבקרה קדימה או אחורה לפי הצורך (איור Q ו-R) ולאחר מכן הפעילו את ידית השחרור המהיר כדי לאבטח את הידית במקומה.
2. תוכלו גם לסובב את הידית לפי הצורך למען נוחותכם (איור S).

על מנת להתאים את אורך הצינור של ידית הבקרה (איור T1, T2)

1. שחררו את ידית השחרור המהיר כדי להזיז את צינור המפוח למצב הפעלה נוח.
2. הפעילו את ידית השחרור המהיר כדי לאבטח את צינור המפוח במקומו.

הפעלה/כיבוי של המפוח

المفتاح الزنبركي (الشكلان U1 וU2)

- לחצו על מתג ההדק כדי להפעיל את המפוח. מסך ה-LCD יציג את מד הדלק, סמל הסוללה, מחוון מהירות אוויר.
- מהירות האוויר של המפוח מבוקרת באמצעות מתג ההדק. כל עוד מתג ההדק לחוץ, כך יזרום יותר אוויר מהנחיר. התאימו את המהירות כך שתתאים למשימה הנוכחית. סמל מהירות האוויר המתאים מוצג על גבי מסך ה-LCD.
- שחררו את ההדק כדי לכבות את המפוח. לאחר 6 שניות מסך ה-LCD נכבה.

מצב טורבו

כאשר ההדק לחוץ ומוחזק, לחצו על כפתור הטורבו כדי למקסם את זרימת האוויר (איור U1). מחוון הטורבו וסמל המאוורר מוארים על מסך ה-LCD (איור U3).

הערה: המפוח חוזר למהירות הקודמת כאשר כפתור

⚠ אזהרה: אם אתה נתקלים במקרה חירום, הפרידו את אבזם החזה מיד כדי להסיר את המפוח.

יישום

- אתם יכולים להשתמש במוצר רק עבור המטרות להלן:
- פינוי משטחים קשים כגון דרכי גישה ברגל או ברכב.
- שמירה על דרכי גישה ומשטחי עץ פנויים מעלים ומחטי אורן.

הודעה: יש להשתמש במכשיר רק עבור המטרות להן הוא יועד. כל שימוש אחר ייחשב לשימוש בלתי הולם.

התקנה/הסרת הסוללות

הטעינו לפני השימוש הראשון.

השתמש רק עם סוללות ומטענים המפורטים באיור B.
הודעה: לקבלת הביצועים הטובים ביותר, אנו ממליצים להשתמש בכל סוללת EGO 56V עם קיבולת הגבוהה מ-5.0Ah.

למפוח שני תאי סוללה פעילים הנמצאים בצד שמאל וימין של תא הסוללות.

הערה: המפוח יכול לפעול עם סוללה אחת או שתי סוללות. שימוש בשתי סוללות מעניק לכם זמן הפעלה ארוך יותר וצריכת חשמל יעילה המנוהלת על ידי טכנולוגיית PEAK POWER™.

אם הוכנסה סוללה לתא הסוללה המסומן ב-1 או 2 בלוח התרמיל, סמל הסוללה המתאים יאיר על מסך ה-LCD (איור G)

G-1 | סימן מיקום תא הסוללה

- להתקנה (איור H)

יישרו את צלעות הסוללה עם חריצי ההרכבה ולחצו על הסוללה כלפי מטה עד הישמע ה"קליק". חזרו על התהליך להתקנת הסוללה השנייה.

- להסרה (איור I)

לחצו על כפתור שחרור הסוללה והסירו את הסוללות.

⚠ אזהרה: שימו לב תמיד אל המיקום של הרגליים שלכם, מיקום ילדים או חיות מחמד, בעת לחיצה על כפתור שחרור הסוללה. עלולה להיגרם פציעה חמורה אם הסוללה תיפול. לעולם אל תסירו את הסוללה במקומות גבוהים.

הצבת מפוח הגב

⚠ אזהרה: לבשו בגדים מתאימים על מנת להפחית את הסיכון לפציעות בעת השימוש בכלי זה. אל תלבשו בגדים רפויים או תכשיטים. השתמשו בהגנה לעיניים / אוזניים. לבשו מכנסיים כבדים, ארוכים, מגפיים וכפפות. אל תלבשו מכנסיים קצרים או סנדלים ואל תפעילו כאשר אתם יחפים.

להתאמת רתמת התמיכה

- הכניסו את הקצה העליון של צינור ידית הבקרה לתוך המפוח ככל שניתן.
- הדקו באופן מלא את הברג בצווארון ההידוק על המפוח.

C-1	צווארון הידוק
C-2	ברג

חיבור צינור המפוח לצינור ידית הבקרה (איור D)

- שחררו והסירו את ידית השחרור המהיר ואת אום הכנף ממכלול הידוק הצינור הקבוע על צינור המפוח.

D-1	מהדק צינור
D-2	אום כנף

- יישרו את החריץ בצינור המפוח עם הצלע על צינור ידית הבקרה, החליקו את צינור המפוח מעל צינור ידית הבקרה עד כמה שניתן.
- הכניסו את הסיכה של ידית השחרור המהיר וסגרו את הידית על מהדק הצינור.
- הדקו את אום הכנף כדי לאבטח את מהדק הצינור במקומו.

חיבור הזרבובית המחודדת לצינור המפוח (איור E, F)

- יישרו את החריץ בזרבובית עם הבריה על גבי הצינור. דחפו את הזרבובית מעל הצינור עד שהיא תינעל במקומה.
- על מנת להסיר את הזרבובית, לחצו והחזיקו את לחצן שחרור הפיה כדי לנתק את הבריה, ואז משכו את הפיה הישר מצינור המפוח.

E-1	לחצן לשחרור זרבובית
E-2	בריה

הפעלה

⚠ אזהרה: אל תניח לעובדה שאתה מכיר את המוצר להפוך אותך לפחות זהיר. זכור שחוסר זהירות של שבריר אחד של שנייה מספיק כדי לגרום לפציעה אישית חמורה.

⚠ אזהרה: אין לעשות שימוש בחיבורים או אביזרים אשר לא הומלצו על ידי יצרן מוצר זה. השימוש בחיבורים או אביזרים אשר לא הומלצו עלול לגרום לפציעה חמורה.

⚠ אזהרה: הסירו תמיד את הסוללות מן המכשיר בעת הרכבת חלקים, ביצוע התאמות, ניקיון או כאשר המכשיר איננו נמצא בשימוש. על מנת למנוע הפעלה מקרית אשר עלולה להוביל לפציעה אישית חמורה, הסירו תמיד את הסוללות מן המכשיר.

לפני כל שימוש, יש לבדוק את כל המוצר עבור חלקים ניזוקים, משוחררים או חסרים, כגון ברגים, אומים, בריחים, מכסים וכו'. יש להדק בבטחה את כל האבזמים והמכסים ואין להפעיל את המוצר עד אשר חלקים חסרים או ניזוקים תוקנו או הוחלפו.

מפרטים

7. מפוחים
8. צינור ידית בקרה
9. צינור המפוח
10. ידית בקרה
11. לוחית תרמיל
12. ידית אחסון צינור המפוח
13. רתמת תמיכה הניתנת להתאמה
14. פיה מחודדת
15. לחצן בקרת שיוט
16. מסך LCD
17. לחצן טורבו
18. מתג הדק
19. חריץ תליית הצינור
20. מנוף לשחרור הידית
21. מד דלק
22. אייקון מאוויר
23. מחוון טורבו
24. מחוון מהירות-אוויר
25. סמל בקרת שיוט
26. סמל סוללה

ולט	56V
נפח אוויר מקסימלי	1360 מ ³ /ש
מהירות האוויר המקסימלית	85 מ/ש
עוצמת נשיפה מקסימלית	N 26
טמפרטורת הפעלה מומלצת	-15°C-40°C
טמפרטורת אחסון מומלצת	-20°C-70°C
משקל המפוח (ללא סוללה עם צינור)	7.4 ק"ג
רמת עוצמת קול נמדדת L _{WA}	97 dB(A) K=1.2 dB(A)
רמת לחץ קול באוזן המפעיל L _{PA}	86.2 dB(A) K=2.5 dB(A)
רמת עוצמת קול מובטחת L _{WA} (נמדדת על פי (EC/2000/14)	98 dB (A)
רטט a _h	מ'/שנייה ² 0.4 מ'/שנייה ² K=1.5

⚠ אזהרה: השימוש הבטוח במוצר זה מצריך הבנה של המידע הנמצא על גבי המכשיר ובמדריך הוראות זה, כמו גם ידע בנוגע לפרויקט אותו אתם מנסים לבצע. לפני השימוש במוצר זה, התוודעו לכל מאפייני ההפעלה וחוקי הבטיחות.

- ערך הרטט הכללי המוצהר נמדד בהתאם לשיטת בדיקה סטנדרטית וניתן להשתמש בו על מנת להשוות ציוד אחד עם ציוד אחר;
- ניתן להשתמש בערך הרטט הכללי המוצהר בהערכה ראשונית של חשיפה.

הרכבה
⚠ אזהרה: אם ישנם חלקים ניזוקים או חסרים, אל תפעילו את המכשיר עד אשר חלקים אלו יוחלפו. שימוש במכשיר זה עם חלקים פגומים או חסרים עלול לגרום לפציעה אישית חמורה.

⚠ אזהרה: אל תנסו לשנות את המוצר או ליצור אביזרים אשר אינם מומלצים לשימוש ביחד עם המפוח. כל שינוי שכזה או הוספה מהווה שימוש לא נכון במכשיר ועלול לגרום לתנאים מסוכנים אשר יובילו לפציעה אישית אפסרית.

⚠ אזהרה: על מנת למנוע הפעלה מקרית אשר עלולה להוביל לפציעה אישית חמורה, הסירו תמיד את הסוללות מן המכשיר בעת הרכבת חלקים.

הרכבת צינורות המפוח

חיבור מכלול צינור ידית הבקרה למפוח (איור C)

רשימת אריזה (איור A1)

תיאור

הכירו את המפוח שלכם (איור A1 ו-A2)

1. ידית
2. כפתורי שחרור סוללה
3. בריח
4. חיבורים חשמליים
5. ידית עזר
6. פתח כניסת אוויר

הוראות בטיחות

עמוד זה מציין ומתאר את סימני הבטיחות העשויים להופיע על גבי המוצר. קראו, הבינו ועקבו אחר ההוראות המופיעות על המכשיר לפני כל ניסיון להרכיב ולהשתמש בה.

חבשו תמיד משקפי מגן או משקפי בטיחות עם הגנה צדדית, ובעת הצורך, הגנה עבור כל הפנים, בעת הפעלת מוצר זה.



התראת בטיחות



על מנת להפחית את הסיכון לפציעות, על המשתמש לקרוא ולהבין את המדריך למשתמש לפני השימוש במוצר זה.



השתמשו תמיד במגני אוזניים בעת הפעלת מוצר זה.



מוצר זה תואם לתקנות ה-EC הרלוונטיות.



הרחיקו אנשים אחרים למרחק של 15 מ' לפחות.



אין להשליך מוצרים חשמליים ביחד עם אשפה ביתית. יש להביא את המכשיר למרכז מחזור מוסמך.



מוצר זה תואם לחוקים הרלוונטיים בבריטניה.



אמפרים A

V וולט

וואט W

Hz הרץ

מ"ר לשעה m³/h

דקה דקות

זרם ישיר

קמ"ש ק"מ לשעה

לדקה /... לדקה

n₀ מהירות ללא עומס

IPX5 הגנה מפני סילוני מים

קראו את כל ההוראות!



- ⚠ **הודעה:** הוראות אלה יהיו זמינות גם בפורמט חלופי, כגון באתר אינטרנט.
- ⚠ **סיכון שיויר!** אנשים בעלי מכשירים חשמליים כגון קוצבי לב, צריכים להתייעץ עם הרופא(ים) המטפל(ים) בהם לפני השימוש במכשיר זה. הפעלה של ציוד חשמלי בקרבת קוצבי לב עלולה להפריע לפעולת הקוצב או אפילו להפסיק את פעולתו.
- ⚠ **אזהרה:** על מנת להבטיח בטיחות ואמינות, יש לבצע את כל התיקונים וההחלפות בעזרת טכנאי שירות מוסמך.

סימני בטיחות

מטרתם של סימני הבטיחות היא להפנות את תשומת לבכם אל סכנות אפשריות. סמלי הבטיחות וההסברים שלהם דורשים את תשומת הלב וההבנה המלאות שלך. סימני הבטיחות בעצמם לא ימנעו כל סכנה. ההוראות והאזהרות אותן הם מספקים לא תחלפנה נקיטת אמצעי מניעה מתאימים בעת תאונה.

⚠ **אזהרה:** וודאו שאתם קוראים ומבינים את כל הוראות הבטיחות המופיעות במדריך זה למשתמש, כולל את כל סימני התראות הבטיחות כגון „**סכנה**“, „**אזהרה**“ ו-**”זהירות”** לפני השימוש במכשיר זה. אי מילוי אחר כל ההוראות המופיעות למטה יכול לגרום להלם חשמלי, שריפה ו/או פציעות חמורות.

הודעות מידע ומניעת סכנה

אלה מודיעות למשתמש על מידע חשוב ו/או הוראות אשר אם לא יבוצעו הן עשויות לגרום לנזק לרכוש. לפני כל הודעה מופיעה המילה „**הודעה**“, כמו בדוגמה להלן:

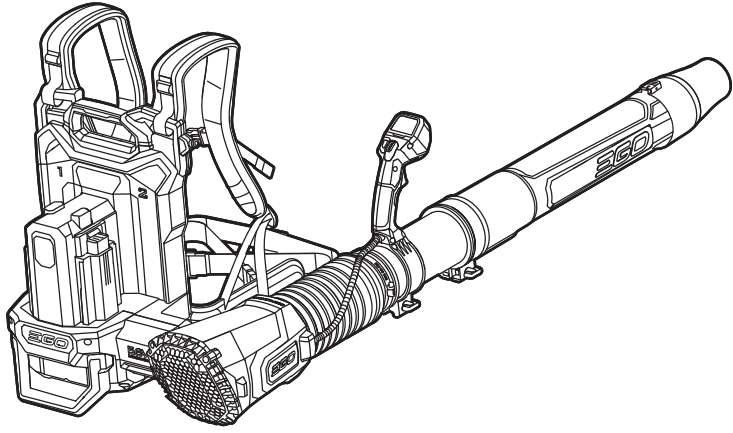
הודעה: נזק לציוד ו/או לרכוש עשוי להיגרם אם ההוראות אלה לא יבוצעו.

⚠ **אזהרה:** הפעלה של כלי עבודה חשמליים עלולה לגרום לעצמים זרים להיזרק אל תוך העיניים, דבר העלול לגרום לנזק חמור לעיניים. לפני הפעלה של כלי עבודה חשמלי, ענדו תמיד משקפי מגן או משקפי בטיחות עם הגנה צדדית, ובעת הצורך, הגנה עבור כל הפנים. אנו ממליצים על שימוש במסכת בטיחות רחבה מעל למשקפי המגן או על שימוש במשקפי בטיחות עם הגנה צדדית.



EGO™

POWER⁺ BACKPACK BLOWER



LBP8000E

HE מפוח גב אלחוטי בעל סוללת ליתיום-יון 56 וולט

AR منفاخ لاسلكي محمول على الظهر ببطارية ليثيوم-أيون 56 فولت

