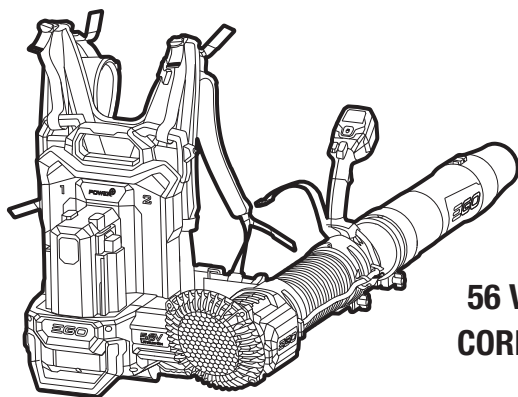


# EGO™

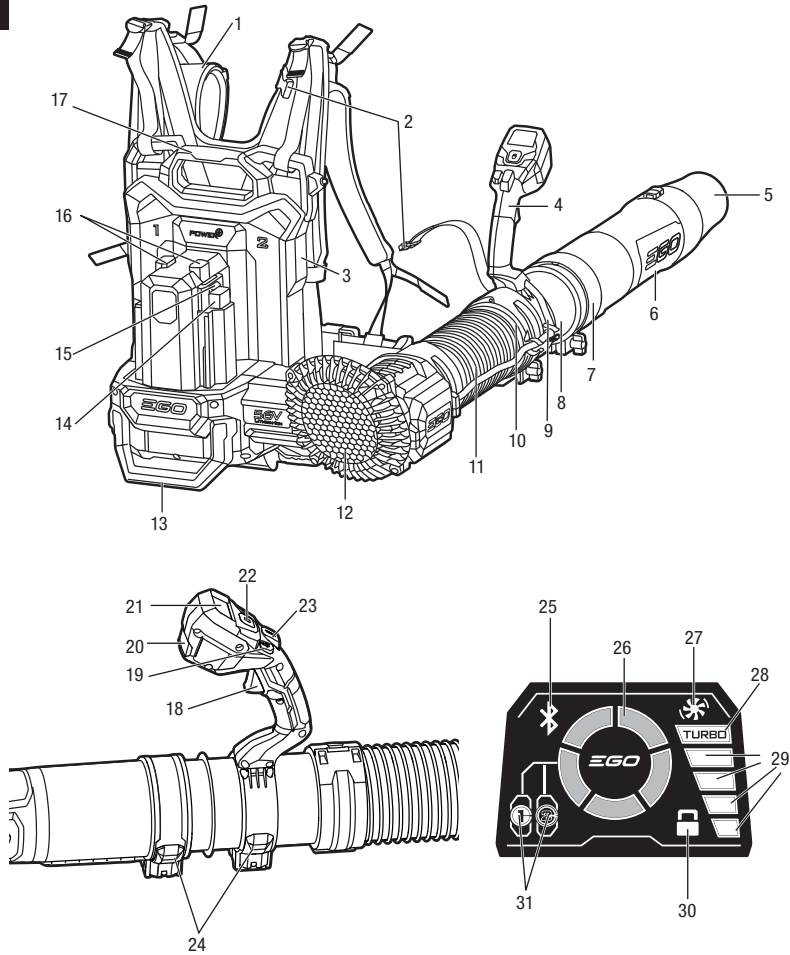
## PRO X



### LBPX1100

### 56 VOLT LITHIUM-ION CORDLESS BACKPACK BLOWER

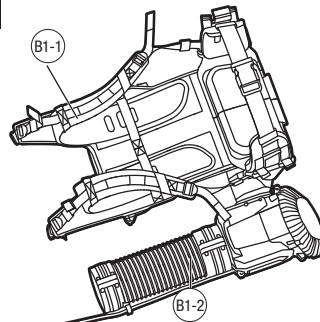
EN	56 Volt lithium-ion cordless backpack blower	7	RO	Sufflantă tip rucsac fără fir de 56 volți litiu-ion	127
DE	Rückentragbarer laubbläser mit 56 volt lithium-ionen-akku	14	SL	56-Voltni litij-ionski brezžični nahrbtni puhalnik	135
FR	Souffleur dorsal sans fil à batterie lithium-ion 56 volts	22	LT	Belaidis ant nugaros nešiojamas pūstuvass su 56 v ličio jonų baterija	142
ES	Soplador inalámbrico de mochila con batería de iones de litio de 56 voltios	30	LV	56 Voltu litija jonu bezvadu mugursomas tipa pūtējs	149
PT	Soprador de mochila sem fios de ião de lítio de 56 volts	38	GR	Ασπρηστας φυσητρας πλατης ιοντων λιθιου 56 volt	156
IT	Soffiatore a zaino cordless li-ion 56 volt	46	TR	56 Volt lityum-iyon akülü sırt çantası tipı üfleyici	164
NL	56 Volt lithium-ion accu-rugzakblazer	54	ET	56-Voldine liitiumioonakuga seljaskantav puhur	171
DK	Batteridrevet rygsæk-løvbåser med 56 volt lithium-ion-batteri	62	UK	Наплічна повітродувка з 56-вольтним літій-іонним акумулятором	178
SE	56 Volts sladdlös ryggsäckslövbåser	69	BG	56-Волтова литиево-йонна безкабелна въздуходувка с раница	186
FI	Akkukäyttöinen 56 voltin selässä kannettava litium-ionipuhallin	76	HR	Akumulatorsko puhalo s naprtnjačom i 56 voltnom litij-ionskom baterijom	194
NO	56 Volt lithium-ionløs ryggsekklåser	83	KA	56 ვოლტის ლითონ-იონის უსადენო საბერველა-ზურგანთა	201
RU	Беспроводная ранцевая воздуходувка с литий-ионным аккумулятором 56 в	90	SR	56 Volti litijum-jonski bežični ranac duvač	210
PL	Akumulatorowa dmuchawa plecakowa z baterią litowo-jonową 56 voltów	98	BS	Akumulatorski puhač lišća s lednom litij-ionskom baterijom od 56 v	217
CZ	56voltový lithium-iontový akumulátorový bezšňurový zádoový foukač	106	HE	מפוח אב אלוטו 56 וולט ליתיום-יון	239
SK	56 V lítium-iónové akumulátorové batohové dúchadlo	113	AR	منفاخ لاسلكي محمول على الظهر ببطارية ليثيوم-أيون 56 فولت	232
HU	56 Voltos vezeték nélküli, lítium-ionsos háti lombfúvó	120			

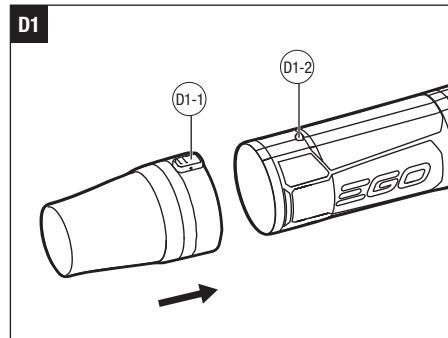
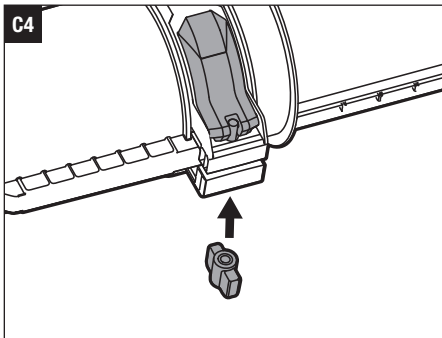
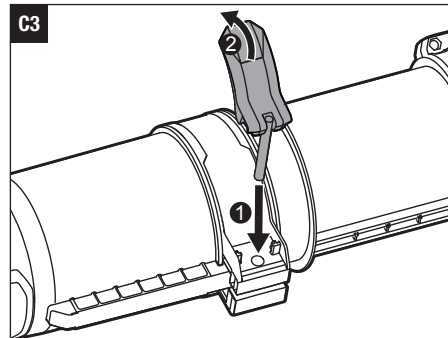
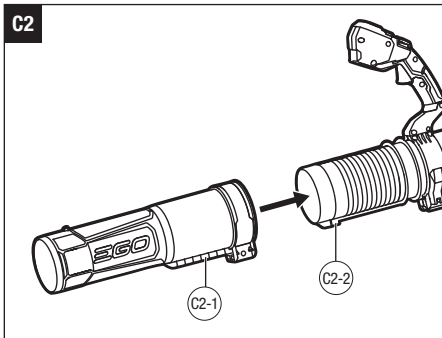
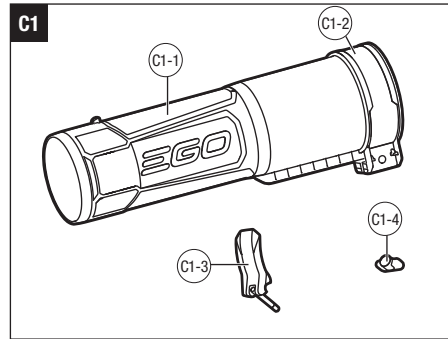
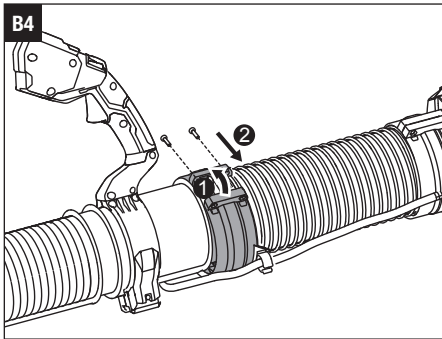
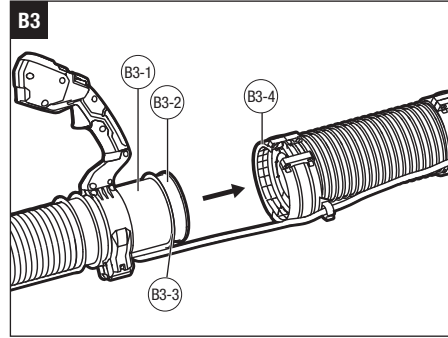
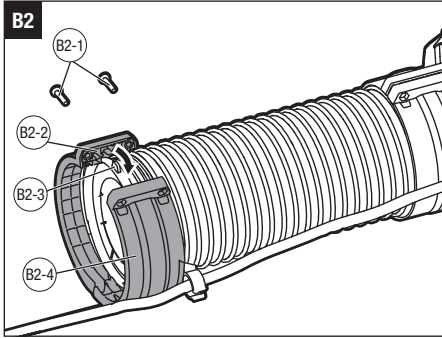
**A****A2**

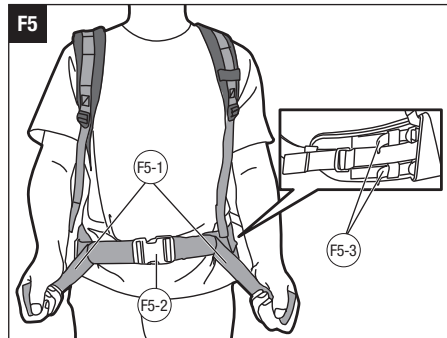
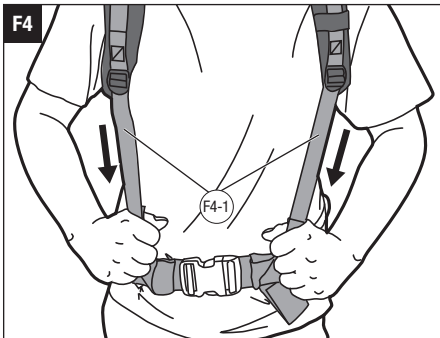
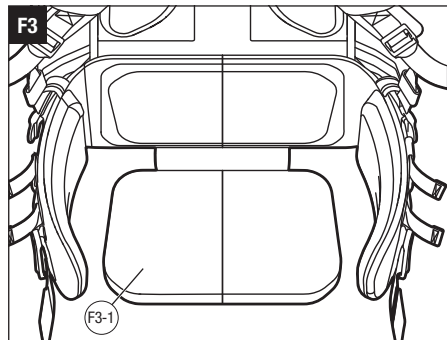
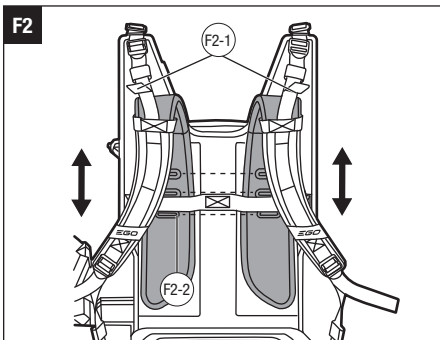
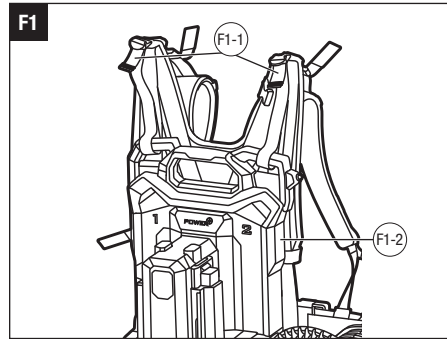
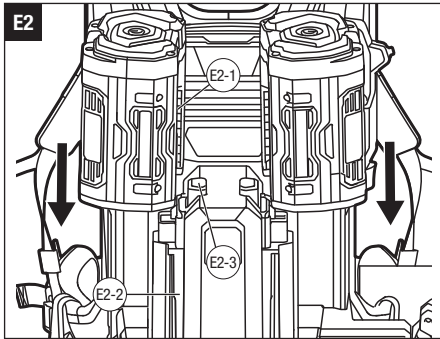
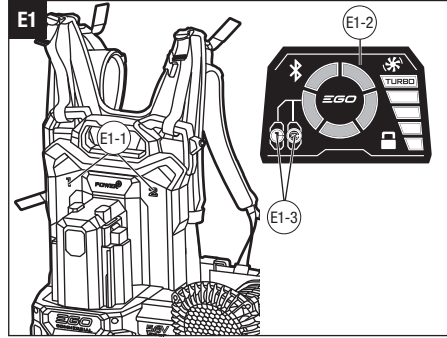
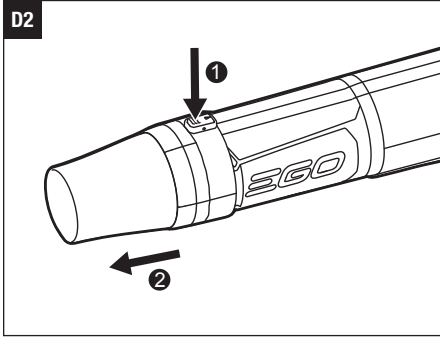
BA1400, BA1400T,  
BA2240T, BA2242T,  
BA2800, BA2800T,  
BA4200, BA4200T,  
BA3360T, BA5600T,  
BA6720T



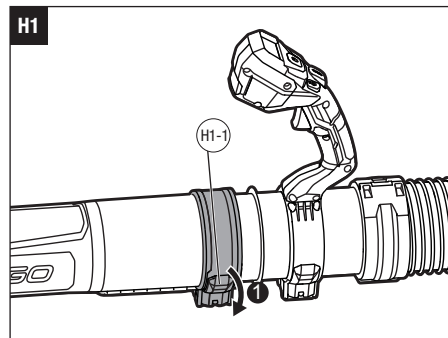
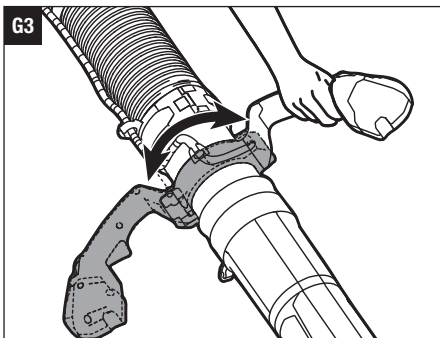
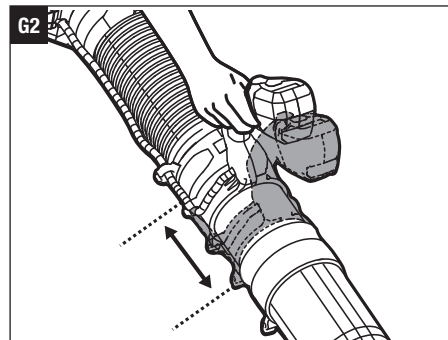
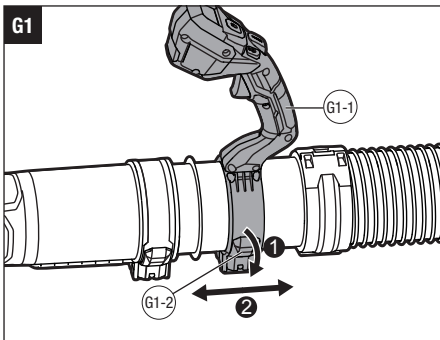
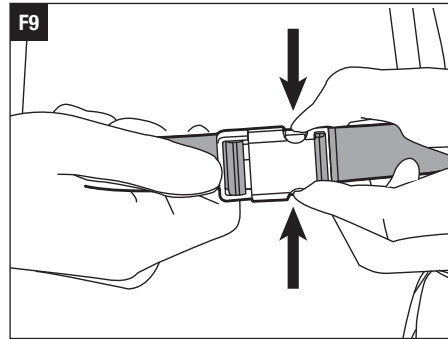
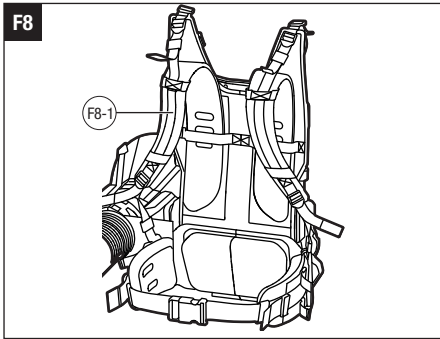
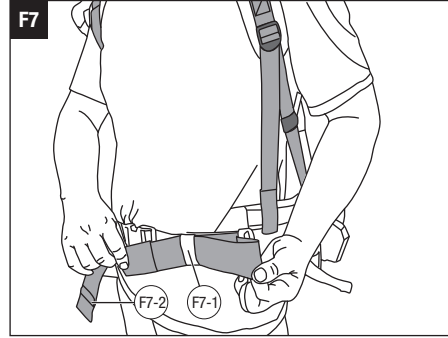
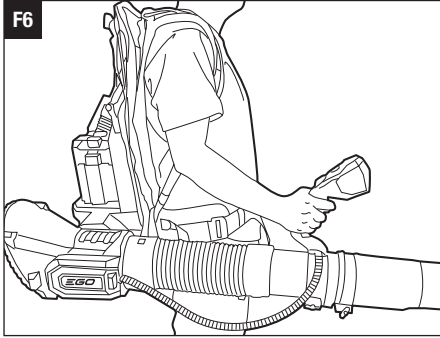
CH5500E, CH2100E,  
CH3200E, CH7000E,  
CH7000E-T

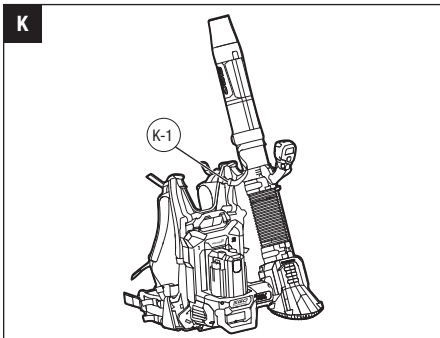
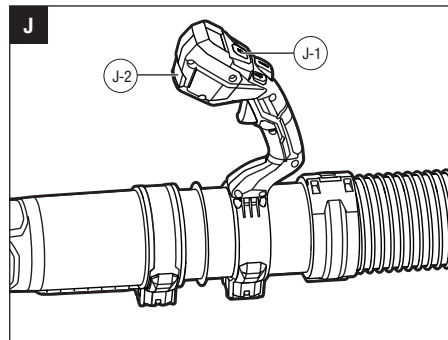
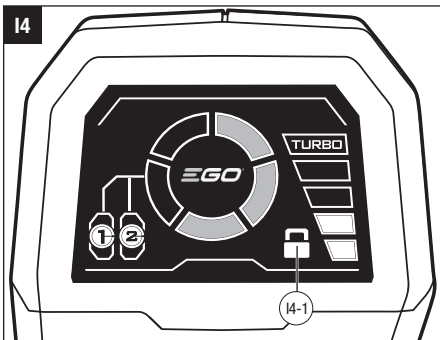
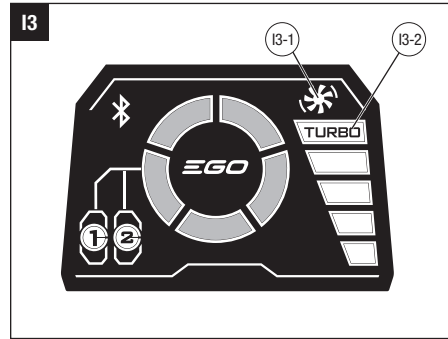
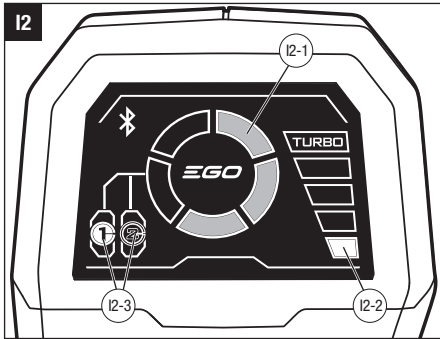
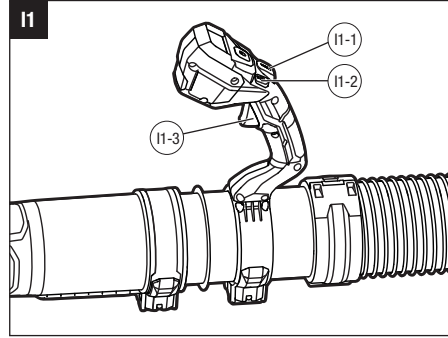
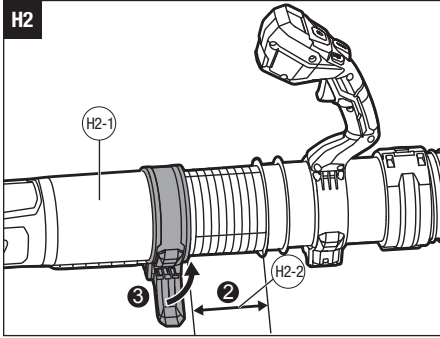
**B1**











## READ ALL INSTRUCTIONS!



### READ OPERATOR'S MANUAL

**WARNING:** To ensure safety and reliability, all repairs should be performed by a qualified service technician.

## SAFETY SYMBOLS

The purpose of safety symbols is to attract your attention to possible dangers. The safety symbols and the explanations with them deserve your careful attention and understanding. The symbol warnings do not, by themselves, eliminate any danger. The instructions and warnings they give are no substitutes for proper accident prevention measures.

**WARNING:** Be sure to read and understand all safety instructions in this Operator's Manual, including all safety alert symbols such as **"DANGER," "WARNING,"** and **"CAUTION"** before using this machine. Failure to follow all instructions listed below may result in electric shock, fire, and/or serious personal injury.

## SYMBOL MEANING

**SAFETY ALERT SYMBOL:** Indicates **DANGER, WARNING,** or **CAUTION,** may be used in conjunction with other symbols or pictographs.

## SAFETY INSTRUCTIONS

This page depicts and describes safety symbols that may appear on this product. Read, understand, and follow all instructions on the machine before attempting to assemble and operate.



Safety Alert



To reduce the risk of injury, user must read the operator's manual.



Always wear ear protection when operating this product.



Always wear safety goggles or safety glasses with side shields and a full face shield when operating this product.



Keep all bystanders at least 15m away.



Guaranteed sound power level. Noise emission to the environment according to the European community's Directive.



Waste electrical products should not be disposed of with household waste. Take to an authorized recycler.



This product is in accordance with applicable EC directives.



Direct Current



UK Conformity Assessed



Do not stare at operating lamp.



Bluetooth® Symbol

IPX5 Protection from water jets

kg Kilogram

V Voltage

m<sup>3</sup>/h Cubic Meter Per Hour

°C Celsius

m/s Meter Per Second

N Newton

## EN SPECIFICATIONS

Voltage	56 V
Maximum Air Volume	1870 m <sup>3</sup> /h
Maximum Air Velocity	85 m/s
Maximum Blowing Force	36 N
Bluetooth Operating Frequency Band	2400-2438 MHz
Bluetooth Maximum Transmission Power	5 dBm
Weight (without battery pack)	9.6 kg
Recommended Operating Temperature	-15°C - 40°C
Recommended Storage Temperature	-20°C - 70°C
Measured sound power level $L_{WA}$	96 dB(A) K=1.4 dB(A)
Sound pressure level at operator's ear $L_{PA}$	83 dB(A) K=3 dB(A)
Guaranteed sound power level $L_{WA}$ (measured according to 2000/14/EC)	98 dB(A)
Vibration $a_h$	0.25 m/s <sup>2</sup> K=1.5 m/s <sup>2</sup>

- The declared vibration total value has been measured in accordance with a standard test method and may be used for comparing one tool with another;
- The declared vibration total value may also be used in a preliminary assessment of exposure.

**NOTICE:** The vibration emission during actual use of the power tool can differ from the declared value in which the tool is used; In order to protect the operator, user should wear gloves and ear protectors in the actual conditions of use.

## PACKING LIST (FIG. A1)

### DESCRIPTION

#### KNOW YOUR BLOWER (Fig. A1)

1. Adjustable Support Harness
2. Upright Storage Buckle

3. Backpack Plate
4. Control Handle
5. Tapered Nozzle
6. Blower Tube
7. Tube Clamp
8. Control-handle Tube
9. Control-handle Clamp
10. Bellows Clamp
11. Bellows
12. Air Inlet
13. Assist Handle
14. Electric Contacts
15. Latch
16. Battery-release Buttons
17. Handle
18. Air-speed Trigger
19. Speed Lock Button
20. LED Light
21. LCD Screen
22. LED Light Button
23. Turbo Button
24. Quick-release Levers
25. Bluetooth Indicator
26. Fuel Gauge
27. Fan Icon
28. Turbo Indicator
29. Air-speed Indicator
30. Speed Lock Icon
31. Battery Icon

## ASSEMBLY

**⚠ WARNING:** If any parts are damaged or missing, do not operate this product until the parts are replaced. Use of this product with damaged or missing parts could result in serious personal injury.

**⚠ WARNING:** Do not attempt to modify this product or create accessories not recommended for use with this blower. Any such alteration or modification is misuse and could result in a hazardous condition leading to possible serious personal injury.

**⚠ WARNING:** To prevent accidental starting that could cause serious personal injury, always remove the batteries from the tool when assembling parts.

## ASSEMBLING THE BLOWER TUBES

### Connecting the Control-Handle Tube to the Bellows

- For convenient assembly, place the blower with the support harness facing up as shown in Fig. B1.
- Loosen and remove the two screws from one side of the bellows clamp, partly open the bellows clamp but make sure that the tab on the rim of the bellows is fully engaged into the slot in the clamp (Fig. B2).
- Insert the rear end of the control-handle tube into the bellows until the rear end surface contacts with the bellows clamp end surface (Fig. B3).
- The bellows clamp can be fully closed when the control-handle tube is connected to the bellows properly. Securely tighten the screws of the bellows clamp (Fig. B4).

B1-1	Support Harness	B1-2	Bellows
B2-1	Screws	B2-2	Slot
B2-3	Tab	B2-4	Bellows Clamp
B3-1	Control-handle Tube	B3-2	Rear End
B3-3	Rear End Surface	B3-4	Bellows Clamp End Surface

### Connecting the Blower Tube to the Control-Handle Tube

- Loosen and remove the quick-release lever and wing nut from the tube clamp assembly affixed to the blower tube (Fig. C1).
- Align the groove in the blower tube with the rib on the control-handle tube, slide the blower tube over the control-handle tube as far as it will go (Fig. C2).
- Insert the pin of the quick-release lever and close the lever onto the tube clamp (Fig. C3).
- Tighten the wing nut to secure the tube clamp (Fig. C4).

C1-1	Blower Tube	C1-2	Tube Clamp
C1-3	Quick-release Lever	C1-4	Wing Nut
C2-1	Groove of Blower Tube	C2-2	Rib of Control-handle Tube

### Connecting the Tapered Nozzle to the Blower Tube

- Align the groove in the nozzle with the latch on the tube. Push the nozzle over the tube until it securely snaps into place (Fig. D1).

- To remove the nozzle, press and hold the nozzle-release button to disengage the latch, then pull the nozzle straight from the blower tube (Fig. D2).

D1-1	Nozzle-release Button	D1-2	Latch
------	-----------------------	------	-------

## OPERATION

**⚠ WARNING:** Do not allow familiarity with this product to make you careless. Remember that a careless fraction of a second is sufficient to inflict serious injury.

**⚠ WARNING:** Do not use any attachments or accessories not recommended by the manufacturer of this product. The use of attachments or accessories not recommended can result in serious personal injury.

**⚠ WARNING:** Always remove the batteries from the product when you are assembling parts, making adjustments, cleaning, or when not in use. Removing the batteries will prevent accidental starting that could cause serious personal injury.

Before each use, inspect the entire product for damaged, missing, or loose parts, such as screws, nuts, bolts, caps, etc. Tighten securely all fasteners and caps and do not operate this product until all missing or damaged parts are replaced.

## APPLICATION

You may use this product for the purposes listed below:

- Clearing leaves and miscellaneous yard debris from lawns and mulch beds.
- Clearing hard surfaces, such as driveways and walkways.
- Keeping decks and driveways free from leaves and pine needles.

**NOTICE:** The tool is to be used only for its prescribed purpose. Any other use is deemed to be a case of misuse.

## ATTACHING/DETACHING THE BATTERY PACK

Use only with EGO's battery packs and chargers listed in Fig. A2.

Refer to corresponding battery packs and chargers manuals for more details.

### Fully charge before first use.

**NOTE:** For best performance, we recommend use of the EGO 56V battery pack BA3360T (6.0 Ah) or other EGO 56V battery packs with higher Ah rating.

The blower has two active battery ports, located on the left and right side of the battery port housing.

**NOTE:** The blower can operate off of one or two batteries. Using two batteries gives you a longer run time and efficient power draw managed by PEAK POWER™ technology.

When the battery packs are inserted into the corresponding battery ports marked with 1 or 2 on the backpack plate, and the blower is turned on, the corresponding battery icon will illuminate on the LCD screen (Fig. E1).

### To Attach (Fig. E2)

Align the battery ribs with the mounting slots in one and press the battery pack down until you hear a “click”. Attach the other battery.

### To Detach

Depress the battery-release button and pull the battery pack out.

**⚠ WARNING:** Always take care to note the location of your feet, children, or pets when pressing the battery-release button. Serious injury could result if the battery falls. NEVER remove the battery when in a high location.

E1-1	Battery Ports Number	E1-2	LCD Screen
E1-3	Battery Icon	E2-1	Battery Rib
E2-2	Mounting Slot	E2-3	Battery-release Button

### POSITIONING THE BACKPACK BLOWER

**⚠ WARNING:** Dress properly to reduce the risk of injury when operating this machine. Do not wear loose clothing or jewelry. Wear eye and ear/hearing protection. Wear heavy, long pants, boots and gloves. Do not wear short pants, sandals or go barefoot.

Before using the backpack blower, make sure that the operator is wearing eye protection and proper clothing and can maintain a secure and balanced footing.

### To Adjust the Support Harness

1. Pull the two backpack plate straps to make sure the harness is securely attached to the backpack plate (Fig. F1).
2. Adjust the back pads and lumbar pad for your comfort if necessary.
  - Loosen the shoulder straps, peel the back pads off the Velcro and move the pads to your desired position,

then pull the shoulder straps to secure the pads for your pack (Fig. F2).

**NOTE:** The horizontal lines on the back pads help both pads be adjusted at the same level.

- Peel the lumbar pad off the Velcro and move the pad to your desired position (Fig. F3).
3. Put your arms through the harness to support the blower on your back. Temporarily adjust the chest straps to comfortable positions, making sure that the elbow of your right arm is comfortable when holding the control handle (Fig. F4).
  4. Snap the waist buckle and adjust the waist straps length so that the harness is securely supported by your waist. If the waist buckle is hard to snap, adjust the two side straps on each side to make it easily (Fig. F5).

**NOTE:** The harness should not sit too high on your back; it should be positioned closer to your hips than to your shoulders.

**⚠ WARNING:** When emergency occurs, release the waist buckle immediately to take off the harness. This is a quick release method.

5. Readjust the chest straps for security and comfort. Make sure that the harness sits securely on your back, with the weight supported by the waist strap, and without excess movement when you move (Fig. F6).
6. Insert any extra length of the straps into the elastic (Fig. F7).
7. There are several light-reflective strips for safe operation. Make sure not to cover the light-reflective strips during operation (Fig. F8).
8. **To detach the harness from your back,** just press the waist buckle to release it and lower the blower (Fig. F9).

F1-1	Straps	F1-2	Backpack Plate
F2-1	Shoulder Straps	F2-2	Horizontal Lines
F3-1	Lumber Pad	F4-1	Chest Straps
F5-1	Waist Straps	F5-2	Waist Buckle
F5-3	Side Straps	F7-1	Elastic
F7-2	Extra Length of Strap	F8-1	Light-reflective Strips

### To Adjust the Control Handle

1. Release the quick-release lever to move the control handle forward or backward as needed (Fig. G1 & G2) and then engage the quick-release lever to secure the control handle in place.

- You may also rotate the handle as needed for comfort (Fig. G3).

G1-1	Control Handle	G1-2	Quick-release Lever
------	----------------	------	---------------------

### To Adjust the Control-Handle Tube Length (Fig. H1, H2)

- Release the quick-release lever (Fig. H1).
- Move the blower tube to a comfortable operating position within the adjustment zone (Fig. H2).
- Engage the quick-release lever to secure the blower tube in place (Fig. H2).

H1-1	Quick-release Lever	H2-1	Blower Tube
H2-2	Adjustment Zone		

### STARTING/STOPPING THE BLOWER

**NOTE:** The blower may not properly start if the battery pack or the blower temperature is  $-15^{\circ}\text{C}$  or less. In this case, remove the battery pack from the blower, allow the battery pack and blower to warm up indoors for 10 minutes or longer. Reinstall the battery pack and try again.

#### Air-Speed Trigger (Fig. I1, I2)

- Depress the air-speed trigger to turn on the blower, then the LCD screen will display the fuel gauge, battery icon, and air speed indicator.

**NOTE:** 1 LED of the fuel gauge on the LCD screen flashes when the battery charge is low.

- The air speed of the blower is controlled with the variable speed trigger. More pressure on the trigger results in higher blowing speeds; less pressure on the trigger results in lower blowing speeds. Adjust the speed to suit the task at hand. The corresponding air speed indicator will display on the LCD screen.
- Release the air-speed trigger to turn off the blower. The LCD screen will turn off within a certain period of time after the trigger is released.

**NOTE:** If a battery pack below 4 Ah is used, the air speed is limited to two bars only.

#### Turbo Mode

While the air-speed trigger is depressed and held, press the turbo button to increase the air flow to the maximum velocity (Fig. I1). Both the turbo indicator and the fan icon will illuminate on the LCD screen (Fig. I3).

**NOTE:** The blower will return to the previous speed when the turbo button is released.

#### Speed Lock Mode

The speed lock can be used to operate the blower without continuously pressing the air-speed trigger.

- Depress the air-speed trigger until you reach the desired speed (Fig. I1).
- Press the speed lock button. The speed lock icon will illuminate on the LCD screen (Fig. I4).
- Then release the air-speed trigger, the blower will keep running at “desired” speed.

**NOTE:** Pressing the turbo button while in speed lock mode can lock the air speed at the maximum level. The blower will resume the previous speed when you press the turbo button once more.

- To release the speed lock, press the speed lock button again. The speed lock icon will disappear from the LCD screen and the blower will turn off.

I1-1	Turbo Button	I1-2	Speed Lock Button
I1-3	Air-speed Trigger	I2-1	Fuel Gauge
I2-2	Air-speed Indicator	I2-3	Battery Icon
I3-1	Fan Icon	I3-2	Turbo Indicator
I4-1	Speed Lock Icon		

#### LED LIGHT (Fig. J)

The LED light is located in the front of the control handle. It provides illumination for increased visibility.

Press the LED light button once to turn the light on, press it again to turn the light off. It will also turn off automatically after approximately 5 minutes of blower inactivity.

J-1	LED Light Button	J-2	LED Light
-----	------------------	-----	-----------

#### COMMUNICATION TECHNOLOGY

For information on our full range of connected products and services, including connection instructions, please scan QR Code below or visit

[www.egopowerplus.eu/connect](http://www.egopowerplus.eu/connect).





## TIPS FOR USING THE BLOWER

- To keep from scattering debris, blow around the outer edges of a debris pile. Never blow directly into the center of a pile.
- To reduce sound levels, limit the number of pieces of equipment used at any one time.
- Use rakes and brooms to loosen debris before blowing. In dusty conditions, slightly dampen surfaces if water is available.
- Watch out for children, pets, open windows, or freshly washed cars, and blow debris safely away.
- After using blowers or other equipment, clean up! Dispose of debris properly.

## MAINTENANCE

**⚠ WARNING:** When servicing, use only identical replacement parts. Use of any other parts may create a hazard or cause product damage. To ensure safety and reliability, all repairs should be performed by a qualified service technician.

**⚠ WARNING:** To avoid serious personal injury, always remove the battery from the product when cleaning or performing any maintenance.

### GENERAL MAINTENANCE

Avoid using solvents when cleaning plastic parts. Most plastics are susceptible to damage from various types of commercial solvents and may be damaged by their use. Use a clean cloth to remove dirt, dust, oil, grease, etc.

**⚠ WARNING:** Do not at any time allow brake fluids, gasoline, petroleum-based products, penetrating oils, etc. to come in contact with plastic parts. Chemicals can damage, weaken or destroy plastic which may result in serious personal injury.

**⚠ WARNING:** To reduce the risk of fire, personal injury, and product damage due to a short circuit, never immerse your machine, battery pack or charger in fluid or allow a fluid to flow inside them. Corrosive or conductive fluids, such as seawater, certain industrial chemicals, and bleach or bleach containing products, etc., can cause a short circuit.

### STORAGE

- Remove the battery pack(s) from the blower.
- Clean all foreign material from the air inlets of the blower.

- Snap the upright storage buckle to hook the blower tube onto the battery port housing (Fig. K).
- Store in an enclosed space that is inaccessible to children. Keep away from corrosive agents, such as garden chemicals and de-icing salts.

K-1 Upright Storage Buckle

## PROTECTING THE ENVIRONMENT



Do not dispose of electrical equipment, used battery and charger into household waste! Take this product to an authorized recycler and make it available for separate collection. Electric tools must be returned to an environmentally compatible recycling facility.

## TROUBLESHOOTING

EN

PROBLEM	CAUSE	SOLUTION
Blower doesn't work.	<ul style="list-style-type: none"> <li>■ The battery pack is not attached to the blower.</li> <li>■ There is no electrical contact between the blower and battery.</li> <li>■ The battery pack charge is depleted.</li> <li>■ The battery pack or blower is too hot.</li> <li>■ Damaged air-speed trigger.</li> <li>■ The battery pack or blower is too cold.</li> </ul>	<ul style="list-style-type: none"> <li>■ Attach the battery pack to the blower.</li> <li>■ Remove battery pack, check contacts and reinstall the battery pack.</li> <li>■ Charge the battery pack.</li> <li>■ Cool the battery pack and blower until their temperature drops below 67°C.</li> <li>■ Contact EGO Customer Service for repair.</li> <li>■ Remove the battery pack, allow the battery pack and blower to warm up indoors. It is recommended to fully charge the battery pack and start the blower at low speed without activating the Turbo mode.</li> </ul>
When the air-speed trigger is depressed, only the bottom two air speed icons are displayed on the LCD screen.	<ul style="list-style-type: none"> <li>■ Low Ah battery pack used.</li> </ul>	<ul style="list-style-type: none"> <li>■ Use 4.0 or higher Ah battery packs.</li> </ul>
The speed lock mode cannot be turned on or off.	<ul style="list-style-type: none"> <li>■ Damaged speed lock button.</li> </ul>	<ul style="list-style-type: none"> <li>■ Contact EGO Customer Service for repair.</li> </ul>
The air speed is noticeably reduced.	<ul style="list-style-type: none"> <li>■ The battery charge is low.</li> <li>■ Excessive wear of motor fan.</li> <li>■ The air inlet is blocked by debris.</li> </ul>	<ul style="list-style-type: none"> <li>■ Charge the battery pack.</li> <li>■ Contact EGO service for repair.</li> <li>■ Remove the battery pack, then clear the debris.</li> </ul>
LCD screen not functioning properly.	<ul style="list-style-type: none"> <li>■ LCD screen or wire connection are damaged.</li> </ul>	<ul style="list-style-type: none"> <li>■ Contact EGO service for repair.</li> </ul>
1 LED of the fuel gauge on the LCD screen flashes.	<ul style="list-style-type: none"> <li>■ The battery charge is low.</li> </ul>	<ul style="list-style-type: none"> <li>■ Charge the battery pack.</li> </ul>

## WARRANTY

### EGO WARRANTY POLICY

Please visit the website [egopowerplus.eu](http://egopowerplus.eu) for full terms and conditions of the EGO Warranty policy.

## LESEN SIE ALLE ANWEISUNGEN!

DE



### BEDIENUNGSANLEITUNG LESEN

**⚠️ WARNUNG:** Um die Sicherheit und Zuverlässigkeit zu gewährleisten, sollten alle Reparaturen nur von qualifizierten Servicetechnikern durchgeführt werden.

## WARNSYMBOL

Der Zweck von Warnsymbolen besteht darin, Ihre Aufmerksamkeit auf mögliche Gefahren zu lenken. Die Warnsymbole und deren Erklärungen verdienen Ihre vollste Aufmerksamkeit und Beachtung. Durch die Warnsymbole allein sind die Gefahren noch nicht ausgeschaltet. Die Anweisungen und Warnhinweise stellen keinen Ersatz für angemessene Unfallverhütungsmaßnahmen dar.

**⚠️ WARNUNG:** Vor der Benutzung des Geräts sollten Sie alle Sicherheitshinweise in dieser Betriebsanleitung gelesen und verstanden haben. Das gilt auch für die Hinweise „GEFAHR“, „WARNUNG“ und „VORSICHT“. Die Nichtbeachtung der aufgeführten Hinweise kann zu Stromschlägen, Bränden und/oder schweren Verletzungen führen.

## SYMBOLBEDEUTUNG

**⚠️ WARNSYMBOL:** Der Hinweis auf eine **GEFAHR**, **WARNUNG** oder **VORSICHT** kann zusammen mit anderen Symbolen oder Piktogrammen verwendet werden.

## SICHERHEITSHINWEISE

Auf dieser Seite werden die Warnsymbole vorgestellt und beschrieben, die sich unter Umständen an der Maschine befinden. Vor dem Zusammenbau und der Inbetriebnahme müssen sämtliche Anweisungen auf der Maschine gelesen und genau befolgt werden.



Sicherheitswarnung



Tragen Sie immer einen Gehörschutz, wenn Sie das Gerät bedienen.



Halten Sie alle unbefugten Personen mindestens 15 m fern.



Elektrische Altgeräte dürfen nicht im Hausmüll entsorgt werden. Bringen Sie die Maschine zu einem Wertstoffhof bzw. zu einer amtlichen Sammelstelle.



Gleichstrom



Nicht in die Betriebsleuchte blicken.

IPX5

Strahlwassergeschützt

V

Spannung



Um das Verletzungsrisiko zu verringern, muss der Benutzer die Bedienungsanleitung lesen.



Tragen Sie immer eine Schutzbrille, möglichst mit Seitenschutz, und einen vollständigen Gesichtsschutz, wenn Sie das Gerät bedienen.



Garantierter Schalleistungspegel. Geräuschemission an die Umgebung gemäß Richtlinie der Europäischen Gemeinschaft.



Dieses Produkt erfüllt die einschlägigen CE-Richtlinien.



GB-Konformität beurteilt



Bluetooth® Symbol

kg

Kilogramm

m<sup>3</sup>/h

Kubikmeter pro Stunde

°C Celsius  
N Newton

m/s Meter pro Sekunde

## TECHNISCHE DATEN

Spannung	56 V
Maximales Luftvolumen	1870 m <sup>3</sup> /h
Maximale Luftgeschwindigkeit	85 m/s
Maximale Blasstärke	36 N
Bluetooth Frequenzband	2400-2438 MHz
Maximale Bluetooth-Sendeleistung	5 dBm
Gewicht (ohne Akku)	9,6 kg
Empfohlene Betriebstemperatur	-15°C - 40°C
Empfohlene Lagertemperatur	-20°C - 70°C
Gemessener Schalleistungspegel L <sub>WA</sub>	96 dB(A) K=1,4 dB(A)
Schalldruckpegel am Ohr des Bedieners L <sub>PA</sub>	83 dB(A) K=3 dB(A)
Garantierter Schalleistungspegel L <sub>WA</sub> (gemäß Messung nach 2000/14/CE)	98 dB(A)
Vibration a <sub>h</sub>	0,25 m/s <sup>2</sup> K=1,5 m/s <sup>2</sup>

- Der angegebene Vibrationsgesamtwert wurde nach einem Standard-Prüfverfahren gemessen und kann zum Vergleich mit einem anderen Werkzeug herangezogen werden.
- Der angegebene Vibrationsgesamtwert kann auch zur vorläufigen Risikobewertung herangezogen werden.

**HINWEIS:** Die beim Einsatz des Elektrowerkzeugs entstehenden Istvibrationen können von dem angegebenen Wert abweichen. Zum Schutz des Benutzers sollten Handschuhe und ein Gehörschutz während des Geräteinsatzes getragen werden.

## PACKLISTE (ABB. A1)

### BESCHREIBUNG

#### AUFBAU (Abb. A1)

1. Verstellbare Tragegurte
2. Schnalle zum Hochkantabstellen
3. Rucksackplatte
4. Bediengriff
5. Konischer Düsenaufsatz
6. Laubbläserrohr
7. Rohrschelle
8. Bediengriffrohr
9. Schelle am Bediengriff
10. Schelle am Faltenbalg
11. Faltenbalg
12. Lufteinlass
13. Zusatzgriff
14. Elektrische Kontakte
15. Riegel
16. Akku-Entriegelungstasten
17. Griff
18. Gebläsestufenregler
19. Schalter für Gebläsestufenverriegelung
20. LED-Leuchte
21. LC-Display
22. LED-Schalter
23. Turboschalter
24. Schnellentriegelung
25. Bluetooth-Anzeige
26. Ladestandsanzeige
27. Ventilator-Symbol
28. Turbo-Anzeige
29. Gebläsestufenanzeige
30. Verriegelungssymbol
31. Akkusymbol

## MONTAGE

DE

**⚠️ WARNUNG:** Gerät nicht in Betrieb setzen, wenn Teile schadhafte sind oder fehlen. Fehlende oder beschädigte Teile zuerst ersetzen. Die Verwendung dieses Produkts mit beschädigten oder fehlenden Teilen kann zu schweren Verletzungen führen.

**⚠️ WARNUNG:** Versuchen Sie nicht, dieses Produkt zu verändern oder Zubehörteile zu verwenden, die für den Einsatz dieses Laubbläfers nicht empfohlen werden. Derartige Umbauten oder Veränderungen stellen eine Zweckentfremdung dar und können zu schweren Verletzungen führen.

**⚠️ WARNUNG:** Um das unbeabsichtigte Starten, das zu schweren Verletzungen führen könnte, zu verhindern, entfernen Sie immer die Akkus aus dem Werkzeug, wenn Sie Teile montieren.

### MONTAGE DER LAUBLÄSERROHRE

#### Verbinden des Bediengriffrohrs mit dem Faltenbalg

1. Zum bequemen Zusammenbau stellen Sie das Gerät so ab, dass die Tragegurte nach oben zeigen, wie in Abb. B1 dargestellt.
2. Montieren Sie die beiden Schrauben seitlich von der Schelle des Faltenbalgs ab. Öffnen Sie die Balgschelle etwas, aber achten Sie darauf, dass die Rastnase am Rand des Balgs vollständig in der Aussparung der Schelle sitzt (Abb. B2).
3. Führen Sie das Bediengriffrohr hinten in den Faltenbalg ein, bis die Hinterseite die Abschlusskante der Faltenbalgschelle berührt (Abb. B3).
4. Wenn das Bediengriffrohr richtig mit dem Faltenbalg verbunden ist, kann die Schelle wieder geschlossen werden. Ziehen Sie die Schrauben an der Faltenbalgschelle wieder fest (Abb. B4).

B1-1	Tragegurte	B1-2	Faltenbalg
B2-1	Schrauben	B2-2	Aussparung
B2-3	Rastnase	B2-4	Schelle am Faltenbalg
B3-1	Bediengriffrohr	B3-2	Hinten
B3-3	Hinterseite	B3-4	Abschlusskante der Balgschelle

#### Verbinden des Laubbläserrohrs mit dem Rohr des Bediengriffs

1. Montieren Sie die Schnellentriegelung und die Flügelmutter von der Rohrschelle am Laubbläserrohr ab (Abb. C1).
2. Richten Sie die Nut im Laubbläserrohr auf die Rastnase am Bediengriffrohr aus und schieben Sie das Laubbläserrohr bis zum Anschlag auf das Bediengriffrohr (Abb. C2).
3. Führen Sie den Stift der Schnellentriegelung ein und klappen Sie den Riegel auf die Rohrschelle herunter (Abb. C3).
4. Ziehen Sie die Flügelmutter zum Fixieren der Rohrschelle fest (Abb. C4).

C1-1	Laubbläserrohr	C1-2	Rohrschelle
C1-3	Schnellentriegelung	C1-4	Flügelmutter
C2-1	Nut am Laubbläserrohr	C2-2	Rippenprofil am Bediengriffrohr

#### Verbindung der konischen Düse mit dem Laubbläserrohr

1. Richten Sie die Nut in der Düse auf den Verschluss am Rohr aus. Schieben Sie die Düse auf das Rohr, bis sie sicher einrastet (Abb. D1).
2. **Halten Sie zum Entfernen der Düse die Düsenentriegelung gedrückt**, um die Verriegelung zu lösen und ziehen Sie die Düse gerade vom Laubbläser ab (Abb. D2).

D1-1	Düsenentriegelung	D1-2	Riegel
------	-------------------	------	--------

## BETRIEB

**⚠️ WARNUNG:** Auch wenn Sie sich mit dem Gerät auskennen, sollten Sie sich nicht zu einer gewissen Nachlässigkeit verleiten lassen. Denken Sie daran, dass ein kurzer Moment der Unachtsamkeit zu ernsthaften Verletzungen führen kann.

**⚠️ WARNUNG:** Verwenden Sie keine Anbauwerkzeuge oder Zubehörteile, die nicht vom Hersteller dieses Produkts empfohlen worden sind. Der Gebrauch von nicht empfohlenen Aufsätzen oder Zubehör kann zu schweren Verletzungen führen.

**⚠️ WARNUNG:** Entfernen Sie immer die Akkus aus dem Produkt, wenn Sie Teile montieren, Anpassungen vornehmen, etwas säubern oder wenn das Gerät

nicht benutzt wird. Das Entfernen der Akkus beugt dem unabsichtlichen Starten vor, das zu schweren Verletzungen führen kann.

Inspizieren Sie das gesamte Produkt vor jeder Benutzung auf beschädigte, fehlende oder lockere Teile, wie z.B. Schrauben, Muttern, Bolzen, Abdeckungen usw. Ziehen Sie alle Befestigungsteile und Abdeckungen an und bedienen Sie das Produkt nicht, bis alle beschädigten oder fehlenden Teile ersetzt worden sind.

### VERWENDUNGSZWECK

Sie können dieses Produkt für die unten aufgeführten Zwecke einsetzen:

- Laub und verschiedene Gartenabfälle von Rasenflächen und Mulchbeeten entfernen.
- Harte Oberflächen wie Zufahrtswege und Gehwege freiblasen.
- Blätter und Kiefernadeln von Terrassen und Zufahrten entfernen.

**HINWEIS:** Das Gerät darf nur für den bestimmungsgemäßen Zweck verwendet werden. Jede andere Verwendung gilt als Zweckentfremdung.

### ANBRINGEN/ABNEHMEN DES AKKUS

Nur die in Abb. A2 aufgeführten EGO Akkus und Ladegeräte verwenden.

Weitere Einzelheiten finden Sie in den entsprechenden Anleitungen der Akkus und Ladegeräte.

### Vor dem ersten Gebrauch voll aufladen.

**ANMERKUNG:** Für eine optimale Leistung empfehlen wir die Verwendung des EGO 56-V-Akkupacks BA3360T (6,0 Ah) oder anderer EGO 56-V-Akkus mit höherer Ah-Nennleistung.

Der Laubbläser hat zwei aktive Akkuanschlüsse, die sich auf der linken und rechten Seite des Akkufachs befinden.

**ANMERKUNG:** Der Laubbläser kann mit einem oder zwei Akkus betrieben werden. Die Verwendung von zwei Akkus verlängert die Laufzeit und sorgt für eine effiziente Leistungsaufnahme, die von der PEAK POWER™-Technologie geregelt wird.

Wenn die Akkusätze in die entsprechenden Akkuanschlüsse gesteckt werden, die auf der Rucksackplatte mit 1 oder 2 gekennzeichnet sind, und der Laubbläser eingeschaltet wird, leuchtet das entsprechende Akkusymbol auf dem LC-Display auf (Abb. E1).

### Einsetzen (Abb. E2)

Schieben Sie die Akku-Gehäusestege in die Aussparungen

des Akkufachs ein, und drücken Sie den Akku nach unten, bis er hörbar einrastet. Schieben Sie den anderen Akku ein.

### Abnehmen

Drücken Sie die Akku-Entriegelung und ziehen Sie den Akku heraus.

**⚠️ WARNUNG:** Achten Sie immer auf Ihre Füße und auf Kinder oder Haustiere, wenn Sie die Akkuentriegelung drücken. Das Fallenlassen des Akkus kann zu ernsthaften Verletzungen führen. Entfernen Sie den Akku NIEMALS aus einer hohen Position heraus.

E1-1	Anzahl der Akkuanschlüsse	E1-2	LC-Display
E1-3	Akkusymbol	E2-1	Akku-Gehäusesteg
E2-2	Aufnahme	E2-3	Akkuentriegelung

### POSITIONIERUNG DES RÜCKENTRAGBAREN LAUBBLÄSERS

**⚠️ WARNUNG:** Tragen Sie geeignete Kleidung, um das Verletzungsrisiko bei der Benutzung dieser Maschine zu reduzieren. Tragen Sie keine weite Kleidung oder Schmuck. Tragen Sie einen Augen- und Gehörschutz. Tragen Sie eine robuste lange Hose, Stiefel und Handschuhe. Tragen Sie keine kurze Hose, Sandalen oder gehen Sie barfuß.

Vergewissern Sie sich vor der Verwendung des Rucksack-Laubbläfers, dass der Bediener einen Augenschutz und angemessene Kleidung trägt, das Gleichgewicht halten und einen sicheren Stand einnehmen kann.

### Einstellung der Tragegurte

1. Ziehen Sie an beiden Gurten der Rucksackplatte, um zu prüfen, ob sie fest an der Rucksackplatte sitzen (Abb. F1).
2. Stellen Sie die Rückenpolster und das Lendenpolster auf eine möglichst bequeme Trageposition ein.
  - Lösen Sie die Schultergurte, ziehen Sie die Rückenpolster vom Klettverschluss ab und schieben Sie sie in die gewünschte Position. Ziehen Sie danach an den Schultergurten, um die Rucksackpolster zu fixieren (Abb. F2).

**ANMERKUNG:** Mithilfe der horizontalen Linien können Sie die Rückenpolster auf gleicher Höhe fluchten lassen.

- Ziehen Sie das Lendenpolster vom Klettverschluss ab und versetzen Sie es in die gewünschte Position (Abb. F3).

3. Führen Sie Ihre Arme durch die Tragegurte hindurch, um den Laubbläser auf Ihrem Rücken abzustützen. Stellen Sie die Brustgurte vorübergehend auf eine bequeme Position ein und achten Sie darauf, dass der Ellbogen Ihres rechten Arms beim Festhalten des Bediengriffs eine bequeme Position hat (Abb. F4).
4. Lassen Sie den Gurt in die Hüftschnalle einrasten und passen Sie die Gurtlänge an, bis die Gurte von der Hüfte gestützt werden. Wenn sich das Gurtschloss schlecht öffnen lässt, lösen Sie die Seitengurte auf beiden Seiten, um das Öffnen zu erleichtern (Abb. F5).

**ANMERKUNG:** Die Gurte sollten nicht auf eine zu hohe Rückenposition eingestellt werden; sie sollten sich näher zur Hüfte als zu den Schultern befinden.

**⚠️ WARNUNG:** Lösen Sie das Gurtschloss an der Hüfte sofort, um die Gurte im Notfall abnehmen zu können. Dazu dient die Schnellentriegelung.

5. Stellen Sie die Brustgurte so ein, dass das Arbeiten bequem und sicher ist. Die Gurte müssen fest auf dem Rücken sitzen. Das Gewicht muss auf dem Hüftgurt lagern und beim Bewegen darf das Gerät nicht verrutschen (Abb. F6).
6. Zu lange Gurte führen Sie durch die Gummischlaufe hindurch (Abb. F7).
7. Für den sicheren Betrieb sind mehrere Reflektorstreifen vorgesehen. Achten Sie darauf, dass die Reflektorstreifen während des Betriebs nicht verdeckt werden (Abb. F8).
8. **Zum Abnehmen der Gurte vom Rücken drücken Sie einfach auf das Gurtschloss am Hüftgurt, um sie zu lösen und den Laubbläser abzusetzen (Abb. F9).**

F1-1	Gurte	F1-2	Rucksackplatte
F2-1	Schultergurte	F2-2	Horizontale Linien
F3-1	Lendenpolster	F4-1	Brustgurte
F5-1	Hüftgurte	F5-2	Hüftschnalle
F5-3	Seitengurte	F7-1	Gummischlaufe
F7-2	Überlanger Gurt	F8-1	Reflektorstreifen

### Einstellung des Bediengriffs

1. Lösen Sie die Schnellentriegelung, um den Bediengriff nach Bedarf vorwärts oder rückwärts zu bewegen (Abb. G1 und G2). Lassen Sie die Schnellentriegelung dann einrasten, um den

Bediengriff festzustellen.

2. Der Griff lässt sich für noch besseren Komfort auch drehen (Abb. G3).

G1-1	Bediengriff	G1-2	Schnellentriegelung
------	-------------	------	---------------------

### Einstellung der Länge des Bediengriffrohrs

(Abb. H1, H2)

1. Betätigen Sie die Schnellentriegelung (Abb. H1).
2. Bringen Sie das Laubbläserrohr in eine bequeme Bedienposition innerhalb des Einstellbereichs (Abb. H2).
3. Lassen Sie den Schnellspannhebel einrasten, um das Laubbläserrohr zu befestigen (Abb. H2).

H1-1	Schnellentriegelung	H2-1	Laubbläserrohr
H2-2	Einstellbereich		

### STARTEN/STOPPEN DES LAUBLÄSERS

**ANMERKUNG:** Der Laubbläser startet möglicherweise nicht richtig, wenn die Temperatur des Akkus oder des Laubbläserteils -15°C oder weniger beträgt. Nehmen Sie in diesem Fall den Akku aus dem Laubbläser und lassen Sie den Akku sowie den Laubbläser mindestens 10 Minuten lang in einem Raum aufwärmen. Setzen Sie den Akku wieder ein und versuchen Sie es erneut.

### Gebläsestufenregler (Abb. I1, I2)

- Drücken Sie den Gebläsestufenregler, um den Laubbläser einzuschalten. Auf dem LC-Display leuchten dann die Ladeanzeige, das Akkusymbol und die Gebläsestufenanzeige.

**ANMERKUNG:** Wenn der Akku-Ladestand niedrig ist, blinkt 1 LED der Ladestandsanzeige im LC-Display.

- Die Gebläsestufe wird mit dem variablen Gebläsestufenregler eingestellt. Je stärker der Gebläsestufenregler gedrückt wird, desto höher ist die Gebläsestufe. Bei nachlassendem Druck auf den Schalter verringert sich der Luftstrom des Gebläses. Die Gebläsestufe sollte für die auszuführenden Arbeiten geeignet sein. Die entsprechende Anzeige für die Gebläsestufe wird auf dem LC-Display angezeigt.
- Lassen Sie den Gebläsestufenregler los, um den Laubbläser auszuschalten. Nach dem Loslassen des Schalters stellt sich der LCD-Bildschirm nach einer bestimmten Zeit aus.

**ANMERKUNG:** Wird ein Akkupack unter 4 Ah verwendet, ist die Luftgeschwindigkeit auf zwei bar begrenzt.



### TURBO-Modus

Drücken Sie die Turbotaste, um den Luftstrom auf die maximale Geschwindigkeit zu erhöhen, während Sie den Gebläsestufenregler gedrückt gehalten (Abb. I1). Sowohl die Turboanzeige als auch das Ventilatorsymbol leuchten auf dem LC-Display auf (Abb. I3).

**ANMERKUNG:** Nach dem Loslassen des Turboschalters kehrt der Laubbläser zur vorherigen Gebläsestufe zurück.

### Gebläsestufenverriegelung

Die Gebläsestufenverriegelung kann verwendet werden, um den Laubbläser zu betreiben, ohne den Gebläsestufenregler gedrückt zu halten.

1. Drücken Sie den Gebläsestufenregler, bis Sie die gewünschte Gebläsestufe erreicht haben (Abb. I1).
2. Drücken Sie die Gebläsestufenverriegelung. Das Gebläsestufenverriegelungssymbol leuchtet auf dem LC-Display auf (Abb. I4).
3. Lassen Sie dann den Gebläsestufenregler los, der Laubbläser läuft mit der „gewünschten“ Drehzahl weiter.

**ANMERKUNG:** Wird der Turboschalter bei verriegelter Gebläsestufe gedrückt, schaltet die Verriegelung auf Höchstgeschwindigkeit um. Bei erneutem Drücken des Turboschalters wechselt der Laubbläser wieder zur vorherigen Stufe zurück.

4. **Drücken Sie erneut auf den Verriegelungsschalter**, um die Gebläsestufenverriegelung auszuschalten. Das Verriegelungssymbol erlischt im LC-Display und das Gerät schaltet sich aus.

I1-1	Turboschalter	I1-2	Schalter für Gebläsestufenverriegelung
I1-3	Gebläsestufenregler	I2-1	Ladestandsanzeige
I2-2	Gebläsestufenanzeige	I2-3	Akkusymbol
I3-1	Ventilator-Symbol	I3-2	Turbo-Anzeige
I4-1	Verriegelungssymbol		

### LED-LEUCHE (Abb. J)

Die LED-Leuchte befindet sich vorn am Bediengriff. Sie sorgt für eine bessere Ausleuchtung.

Zum Einschalten drücken Sie den LED-Lichtschalter. Zum Ausschalten drücken Sie ihn erneut. Nach etwa 5 Minuten Inaktivität schaltet sie sich automatisch ab.

J-1	LED-Schalter	J-2	LED-Leuchte
-----	--------------	-----	-------------

### KOMMUNIKATIONSTECHNIK

Um Informationen über unser gesamtes Angebot an verbundenen Produkten und Dienstleistungen (inklusive Verbindungsanweisungen) zu erhalten, scannen Sie bitte den QR-Code unten oder besuchen Sie

[www.egopowerplus.eu/connect](http://www.egopowerplus.eu/connect).



### TIPPS FÜR DEN GEBRAUCH DES LAUBLÄSERS

- Blasen Sie an den Außenkanten des Schmutzhaufens entlang, damit die Laubreste nicht verstreut werden. Blasen Sie niemals direkt in die Mitte eines Haufens.
- Um nicht zu viel Lärm zu machen, sollte die Anzahl der gleichzeitig eingesetzten Geräte begrenzt bleiben.
- Lockern Sie den Schmutz mit einem Rechen oder Besen vor dem Wegblasen. Unter staubigen Bedingungen befeuchten Sie die Oberflächen etwas, wenn Ihnen Wasser zur Verfügung steht.
- Geben Sie auf Kinder, Tiere, offene Fenster oder frisch gewaschene Autos Acht. Blasen Sie den Schmutz vorsichtig weg.
- Säubern Sie den Ort nach der Benutzung des Gebläses oder anderer Geräte! Entsorgen Sie den Schutt ordnungsgemäß.

### WARTUNG

**⚠️ WARNUNG:** Bei der Wartung nur identische Ersatzteile verwenden. Die Verwendung anderer Teile kann Unfälle und Schäden am Gerät hervorrufen. Um die Sicherheit und Zuverlässigkeit zu gewährleisten, sollten alle Reparaturen nur von qualifizierten Servicetechnikern durchgeführt werden.

**⚠️ WARNUNG:** Um ernsthafte Personenschäden zu vermeiden, entfernen Sie immer den Akku aus dem Produkt, wenn Sie das Gerät säubern oder Wartungsarbeiten vornehmen.

### ALLGEMEINE WARTUNG

Zum Reinigen von Kunststoffteilen Lösungsmittel vermeiden. Die verschiedenen handelsüblichen Lösungsmittel greifen die meisten Kunststoffe an. Verwenden Sie saubere Lappen zum Entfernen von Schmutz, Staub, Öl, Fett usw.

**⚠️ WARNUNG:** Halten Sie unter allen Umständen Bremsflüssigkeit, Benzin, Erzeugnisse auf Erdölbasis, Kriechöle usw. von den Kunststoffteilen fern. Chemikalien können Kunststoffe angreifen, schwächen oder zerstören, was zu schweren Verletzungen führen kann.

**⚠️ WARNUNG:** Um das Risiko von Bränden, Verletzungen und Produktschäden aufgrund eines Kurzschlusses zu verringern, tauchen Sie Ihr Gerät, Ihren Akku oder Ihr Ladegerät niemals in Flüssigkeit und lassen Sie keine Flüssigkeit eindringen. Ätzende oder leitfähige Flüssigkeiten wie Meerwasser, bestimmte Industriechemikalien und Bleichmittel oder bleichmittelhaltige Produkte usw. können einen Kurzschluss verursachen.

### LAGERUNG

- Nehmen Sie den bzw. die Akkupacks vom Laubbläser ab.
- Entfernen Sie alle Fremdkörper von den Lufteinlässen des Laubbläsert.
- Bringen Sie die Schnalle zum Hochkantabstellen an, um das Laubbläserrohr in das Akkugehäuse einzuhängen (Abb. K).
- Lagern Sie das Gerät in einem geschlossenen Raum, der für Kinder nicht zugänglich ist. Vor zersetzenden Mitteln wie Gartenchemikalien oder Streusalz fern halten.

K-1	Schnalle zum Hochkantabstellen
-----	--------------------------------

### SCHUTZ DER UMWELT



Elektrogeräte, alte Akkus und Ladegeräte dürfen nicht im Hausmüll entsorgt werden! Die Maschine muss einer offiziellen Recycling-Sammelstelle zur getrennten Entsorgung zugeführt werden.

Elektrogeräte müssen bei einem umweltfreundlichen Recycling-Betrieb abgegeben werden.

## STÖRUNGSBEHEBUNG

DE

PROBLEM	URSACHE	LÖSUNG
Laubbläser funktioniert nicht.	<ul style="list-style-type: none"> <li>■ Der Akku ist nicht am Gerät angeschlossen.</li> <li>■ Zwischen Laubbläser und Akku ist kein elektrischer Kontakt.</li> <li>■ Der Akku ist entladen.</li> <li>■ Der Akku oder der Laubbläser ist zu heiß.</li> <li>■ Defekter Gebläsestufenregler.</li> <li>■ Der Akku oder der Laubbläser ist kalt.</li> </ul>	<ul style="list-style-type: none"> <li>■ Akku am Laubbläser anschließen.</li> <li>■ Akku abnehmen, Kontakte überprüfen und wieder anschließen.</li> <li>■ Den Akku aufladen.</li> <li>■ Akku und Laubbläser abkühlen lassen, bis die Temperatur unter 67 °C gesunken ist.</li> <li>■ Wenden Sie sich zwecks Reparatur an den EGO-Kundendienst.</li> <li>■ Nehmen Sie den Akku heraus und lassen Sie den Akku und den Laubbläser in einem Raum aufwärmen. Es wird empfohlen, den Akku vollständig aufzuladen und den Laubbläser bei niedriger Geschwindigkeit zu starten, ohne den Turbomodus zu aktivieren.</li> </ul>
Wenn der Gebläsestufenregler gedrückt wird, leuchten nur die beiden unteren Gebläsestufensymbole im LCD-Display.	<ul style="list-style-type: none"> <li>■ Akku mit geringer Kapazität (Ah) verwendet.</li> </ul>	<ul style="list-style-type: none"> <li>■ Verwenden Sie Akkupacks mit 4,0 Ah oder mehr.</li> </ul>
Die Gebläsestufenverriegelung kann nicht ein- oder ausgeschaltet werden.	<ul style="list-style-type: none"> <li>■ Defekter Gebläsestufen-Verriegelungsschalter.</li> </ul>	<ul style="list-style-type: none"> <li>■ Wenden Sie sich zwecks Reparatur an den EGO-Kundendienst.</li> </ul>
Die Luftgeschwindigkeit hat spürbar nachgelassen.	<ul style="list-style-type: none"> <li>■ Die Akkuladung ist schwach.</li> <li>■ Zu starker Verschleiß des Lüftermotors.</li> <li>■ Der Lufteinlass ist durch Schmutz blockiert.</li> </ul>	<ul style="list-style-type: none"> <li>■ Laden Sie den Akku auf.</li> <li>■ Wenden Sie sich zur Reparatur an das EGO-Servicezentrum.</li> <li>■ Akku abnehmen, dann den Schmutz beseitigen.</li> </ul>
Das LC-Display funktioniert nicht richtig.	<ul style="list-style-type: none"> <li>■ Das LC-Display oder die Kabelverbindung sind beschädigt.</li> </ul>	<ul style="list-style-type: none"> <li>■ Wenden Sie sich zur Reparatur an das EGO-Servicezentrum.</li> </ul>
1 LED der Ladestandsanzeige blinkt auf dem LC-Display.	<ul style="list-style-type: none"> <li>■ Die Akkuladung ist schwach.</li> </ul>	<ul style="list-style-type: none"> <li>■ Laden Sie den Akku auf.</li> </ul>

## GARANTIE

### EGO-GARANTIEBEDINGUNGEN

Sämtliche EGO-Garantiebedingungen finden Sie auf der Website [egopowerplus.eu](http://egopowerplus.eu).

## LISEZ TOUTES LES INSTRUCTIONS !

**FR**

**LIRE LA NOTICE D'UTILISATION**

**⚠ AVERTISSEMENT :** Pour garantir la sécurité et la fiabilité, toutes les réparations doivent être effectuées par un réparateur qualifié.

## SYMBOLES DE SÉCURITÉ

L'objectif des symboles de sécurité est d'attirer votre attention sur des dangers potentiels. Les symboles de sécurité et les explications les accompagnant doivent être lus attentivement et compris. Les symboles de mise en garde ne permettent pas par eux-mêmes d'éliminer les dangers. Les consignes et mises en garde ne se substituent pas à des mesures de prévention appropriées des accidents.

**⚠ AVERTISSEMENT :** Veillez à lire et comprendre toutes les consignes de sécurité du présent mode d'emploi, y compris les symboles d'alerte de sécurité tels que « **DANGER** », « **AVERTISSEMENT** » et « **ATTENTION** » avant d'utiliser cette machine. Le non-respect de toutes les instructions énumérées ci-dessous peut entraîner un choc électrique, un incendie et / ou des blessures graves.

## SIGNIFICATION DES SYMBOLES

**⚠ SYMBOLE DE MISE EN GARDE DE SÉCURITÉ:** Indique un **DANGER**, un **AVERTISSEMENT** ou une **MISE EN GARDE**, peut être utilisé en conjonction avec d'autres symboles ou pictogrammes.

## CONSIGNES DE SÉCURITÉ

Cette page décrit des symboles de sécurité pouvant être présents sur ce produit. Lisez, comprenez et respectez toutes les instructions présentes sur l'outil avant d'essayer de l'assembler et de l'utiliser.



Alerte de sécurité



Pour réduire le risque de blessures, l'utilisateur doit lire la notice d'utilisation.



Portez toujours une protection auditive lorsque vous utilisez ce produit.



Portez toujours un masque de sécurité ou des lunettes de sécurité avec boucliers latéraux et un masque facial intégral lors de l'utilisation de ce produit.



Maintenir toutes les autres personnes éloignées d'au moins 15 m.



Niveau de puissance acoustique garanti. Émission de bruit dans l'environnement conformément à la directive CE.



Les produits électriques usagés ne doivent pas être jetés avec les ordures ménagères. Apportez-les dans un centre de recyclage agréé.



Ce produit est conforme aux directives CE applicables.



Courant continu



Conformité Royaume-Uni évaluée



Ne pas fixer les phares en fonctionnement.



Symbole Bluetooth®

IPX5

Protection contre les projections d'eau

kg

Kilogramme

V

Tension

m³/h

Mètres cubes par heure

°C Celsius  
N Newton

m/s Mètres par seconde

## SPECIFICATIONS

Tension	56 V
Volume d'air maximal	1870 m <sup>3</sup> /h
Vitesse maximale de l'air	85 m/s
Force de soufflage maximale	36 N
Bande de fréquence de fonctionnement Bluetooth	2400-2438 MHz
Puissance de transmission Bluetooth maximale	5 dBm
Poids (sans batterie)	9,6 kg
Température d'utilisation recommandée	-15°C - 40°C
Température de stockage recommandée	-20°C - 70°C
Niveau de puissance acoustique mesuré L <sub>WA</sub>	96 dB(A) K=1,4 dB(A)
Niveau de pression acoustique au niveau des oreilles de l'opérateur L <sub>PA</sub>	83 dB(A) K=3 dB(A)
Niveau de puissance acoustique garanti L <sub>WA</sub> (conformément à la norme 2000/14/CE)	98 dB(A)
Vibration a <sub>n</sub>	0,25 m/s <sup>2</sup> K=1,5 m/s <sup>2</sup>

- La valeur totale des vibrations indiquée a été mesurée selon une procédure conforme à une méthode de test standardisée et peut servir pour comparer différents outils.
- La valeur totale des vibrations déclarée peut également servir pour effectuer une évaluation préliminaire de l'exposition.

**REMARQUE :** Le niveau de vibrations lors de l'utilisation réelle de l'outil peut être différent de la valeur déclarée totale en fonction de la manière dont l'outil est utilisé ; Afin de protéger l'opérateur, l'utilisateur doit porter des gants et des protecteurs d'oreilles en conditions réelles d'utilisation.

## CONTENU DE L'EMBALLAGE (FIG. A1)

### DESCRIPTION

#### DESCRIPTION DE VOTRE SOUFFLEUR (Fig. A1)

1. Harnais Réglable
2. Boucle de rangement vertical
3. Plaque de sac à dos
4. Poignée de contrôle
5. Buse conique
6. Tube de soufflage
7. Collier de serrage
8. Tube de poignée de contrôle
9. Collier de serrage de la poignée de contrôle
10. Collier de serrage du soufflet
11. Soufflet
12. Entrée d'air
13. Poignée de manœuvre
14. Contacts électriques
15. Loquet
16. Boutons de déblocage de la batterie
17. Poignée
18. Gâchette de la vitesse de l'air
19. Bouton de verrouillage de vitesse
20. Lampe LED
21. Écran LCD
22. Interrupteur d'éclairage LED
23. Bouton Turbo
24. Manettes à retrait rapide
25. Indicateur Bluetooth
26. Jauge de carburant
27. Icône de ventilateur
28. Indicateur de turbo
29. Indicateur de vitesse de l'air
30. Icône de verrouillage de vitesse
31. Icône de batterie

FR

## ASSEMBLAGE

FR

**⚠ AVERTISSEMENT :** Si une ou plusieurs pièces sont manquantes ou endommagées, n'utilisez pas cet outil tant que toutes les pièces n'ont pas été remplacées. Utiliser cet outil avec des pièces endommagées ou manquantes peut provoquer des blessures corporelles graves.

**⚠ AVERTISSEMENT :** N'essayez pas de modifier ce souffleur ou de créer des accessoires non recommandés pour l'usage avec ce souffleur. De tels modifications et changements constituent un usage impropre et peuvent engendrer des situations dangereuses pouvant conduire à des blessures corporelles graves.

**⚠ AVERTISSEMENT :** Pour éviter un démarrage accidentel pouvant provoquer des blessures corporelles graves, retirez toujours les batteries de l'outil avant d'assembler des pièces.

### ASSEMBLER LES TUBES DU SOUFFLEUR

#### Fixation de la poignée de contrôle au soufflet

1. Pour faciliter l'assemblage, placez le souffleur avec le harnais orienté vers le haut, voir Fig. B1.
2. Dévissez et enlevez les deux vis d'un côté du collier de serrage du soufflet, ouvrez partiellement le collier tout en veillant à ce que la languette sur le bord du soufflet vienne s'engager complètement dans la fente du collier (Fig. B2).
3. Insérez l'extrémité arrière du tube de la poignée de contrôle dans le soufflet jusqu'à ce que la surface de l'extrémité arrière entre en contact avec la surface de l'extrémité du collier de serrage du soufflet (Fig. B3).
4. Le soufflet peut être complètement fermé lorsque le tube de la poignée de contrôle est correctement raccordé au soufflet. Serrez bien à fond les vis du collier de serrage du soufflet (Fig. B4).

B1-1	Harnais de soutien	B1-2	Soufflet
B2-1	Vis	B2-2	Fente
B2-3	Languette	B2-4	Collier de serrage du soufflet
B3-1	Tube de poignée de contrôle	B3-2	Extrémité arrière
B3-3	Surface d'extrémité arrière	B3-4	Surface d'extrémité du collier de serrage du soufflet

#### Fixation du tube de soufflage au tube de la poignée de contrôle

1. Desserrez la manette de retrait rapide et l'écrou papillon et retirez-les du collier de serrage fixé sur le tube de soufflage (Fig. C1).
2. Alignez la rainure du tube de soufflage avec la nervure du tube de la poignée de contrôle, coulissez le tube de soufflage sur le tube de la poignée de contrôle aussi loin que possible (Fig. C2).
3. Insérez la goupille de la manette de retrait rapide et fermez la manette sur le collier de serrage (Fig. C3).
4. Serrez l'écrou papillon pour fixer le collier de serrage (Fig. C4).

C1-1	Tube de soufflage	C1-2	Collier de serrage
C1-3	Manette de retrait rapide	C1-4	Écrou papillon
C2-1	Rainure du tube de soufflage	C2-2	Nervure du tube de la poignée de contrôle

#### Fixation de la buse conique au tube de soufflage

1. Alignez la rainure de la buse avec le loquet situé sur le tube. Poussez la buse sur le tube jusqu'à ce qu'elle s'enclenche (Fig. D1).
2. **Pour retirer la buse,** maintenez le bouton de déblocage de la buse enfoncé pour dégager le loquet, puis tirez sur la buse pour la retirer du tube de soufflage (Fig. D2).

D1-1	Bouton de déblocage de la buse	D1-2	Loquet
------	--------------------------------	------	--------

## FONCTIONNEMENT

**⚠ AVERTISSEMENT :** Veillez à ne pas devenir moins prudent(e) au fur et à mesure que vous vous familiarisez avec cet outil. Gardez à l'esprit qu'une fraction de seconde d'inattention peut suffire pour provoquer des blessures graves.

**⚠ AVERTISSEMENT :** N'utilisez aucun accessoire ou pièce non recommandé par le fabricant de ce produit. L'utilisation d'accessoires ou de pièces non recommandés peut provoquer des blessures corporelles graves.

**⚠ AVERTISSEMENT :** Retirez toujours les batteries du produit avant d'assembler des pièces, d'effectuer

une opération de réglage ou de nettoyage et quand vous n'utilisez pas l'outil. Le retrait des batteries permet d'éviter un démarrage accidentel pouvant provoquer des blessures graves.

Avant chaque utilisation, inspectez le produit complet à la recherche de pièces endommagées, manquantes ou desserrées telles que des vis, écrous, boulons, capuchons, etc. Serrez fermement toutes les fixations et capuchons et ne faites pas fonctionner ce produit tant que toutes les pièces manquantes ou endommagées n'ont pas été remplacées.

### APPLICATION

Vous pouvez utiliser cet outil pour les usages listés ci-dessous :

- Enlever les feuilles et divers déchets de jardin des pelouses et des lits de paillis.
- Nettoyer des surfaces dures, par exemple les voies d'accès et les allées.
- Maintenir les terrasses et les voies d'accès exemptes de feuilles et d'aiguilles de pin.

**REMARQUE :** L'outil ne doit être utilisé que pour son usage prévu. Toute autre utilisation est considérée comme inappropriée.

### INSERTION / RETRAIT DE LA BATTERIE

Utilisez exclusivement les batteries et les chargeurs EGO listés au schéma A2.

Reportez-vous aux manuels des batteries et des chargeurs correspondants pour plus de détails.

### Rechargez complètement la batterie avant la première utilisation.

**REMARQUE :** Pour une performance optimale, nous recommandons l'utilisation de la batterie EGO 56V BA3360T (6,0 Ah) ou d'autres batteries EGO 56V avec une valeur Ah plus élevée.

Le souffleur est doté de deux ports de batterie actifs, situés sur les côtés gauche et droit du boîtier du port de batterie.

**REMARQUE :** Le souffleur peut fonctionner avec une ou deux batteries. L'utilisation de deux batteries vous offre une durée de fonctionnement plus longue ainsi qu'une consommation d'énergie efficace gérée par la technologie PEAK POWER™.

Lorsque les batteries sont insérées dans les ports correspondants marqués 1 ou 2 sur la plaque du sac à dos et que le ventilateur est allumé, l'icône de la batterie

correspondante s'allume sur l'écran LCD (Fig. E1).

### Fixation (Fig. E2)

Alignez les arêtes de la batterie sur les rainures d'assemblage et enfoncez la batterie jusqu'à entendre un déclic. Fixez l'autre batterie.

### Retrait

Appuyez sur le bouton de déblocage de la batterie et tirez la batterie hors de l'outil.

**AVERTISSEMENT :** Faites toujours attention à la position de vos pieds ainsi qu'à la présence d'enfants ou d'animaux lorsque vous appuyez sur le bouton de déblocage de la batterie. La chute de la batterie pourrait entraîner des blessures graves. Ne retirez JAMAIS la batterie si vous vous trouvez en hauteur.

E1-1	Numéros des ports de batteries	E1-2	Écran LCD
E1-3	Icône de batterie	E2-1	Arête de la batterie
E2-2	Rainure d'assemblage	E2-3	Bouton de déblocage de la batterie

### POSITIONNER LE SOUFFLEUR À DOS

**AVERTISSEMENT :** Habillez-vous correctement pour réduire les risques de blessures lors de l'utilisation de cette machine. Ne portez pas de vêtement ample ni de bijou. Portez des protections oculaires et auditives. Portez un pantalon long et épais, des chaussures montantes et des gants. Ne portez pas de shorts ni de sandales et ne soyez pas pieds nus.

Avant d'utiliser le souffleur dorsal, munissez-vous de lunettes de protection et de vêtements appropriés et adoptez une position sûre et équilibrée.

### Régler le harnais

1. Tirez sur les deux sangles de la plaque du sac à dos pour vous assurer que le harnais est bien fixé à la plaque (Fig. F1).
2. Ajustez les coussins dorsaux et lombaires pour plus de confort si nécessaire.
  - Desserrez les sangles d'épaule, détachez les coussins dorsaux du velcro et mettez-les dans la position souhaitée, puis tirez sur les sangles d'épaule pour fixer les coussins au sac (Fig. F2).

**REMARQUE :** Les lignes horizontales sur les coussinets dorsaux permettent de les régler au même niveau.

- Détachez le coussin lombaire du velcro et placez-le



dans la position souhaitée (Fig. F3).

3. Passez vos bras dans le harnais pour mettre le souffleur sur votre dos. Ajustez temporairement les sangles pectorales à des positions confortables, en veillant à ce que le coude de votre bras droit soit dans une position confortable lorsque vous tenez la poignée de contrôle (Fig. F4).
4. Enclenchez la boucle de taille et ajustez la longueur des sangles de manière à ce que le harnais repose bien correctement sur votre taille. Si la boucle de taille est difficile à refermer, ajustez les deux sangles latérales de chaque côté pour faciliter (Fig. F5).

**REMARQUE :** Le harnais ne doit pas être positionné trop haut sur votre dos, il doit être positionné plus près de vos hanches que de vos épaules.

**⚠ AVERTISSEMENT :** En cas d'urgence, détachez immédiatement la boucle de taille pour enlever le harnais. Il s'agit d'une méthode de retrait rapide.

5. Réajustez les sangles pectorales pour plus de sécurité et de confort. Veillez à ce que le harnais repose bien sur votre dos, avec son poids soutenu par la sangle de taille et sans qu'il ne se déplace trop quand vous bougez (Fig. F6).
6. Insérez l'excédent de longueur de sangle dans l'élastique (Fig. F7).
7. Plusieurs bandes réfléchissantes permettent de travailler en toute sécurité. Veillez à ne pas recouvrir les bandes réfléchissantes au cours du travail (Fig. F8).
8. **Pour enlever le harnais**, il suffit d'appuyer sur la boucle de ceinture pour la détacher et abaisser le souffleur (Fig. F9).

F1-1	Sangles	F1-2	Plaque de sac à dos
F2-1	Sangles d'épaule	F2-2	Lignes horizontales
F3-1	Coussin lombaire	F4-1	Sangles pectorales
F5-1	Sangles lombaires	F5-2	Boucle de taille
F5-3	Sangles latérales	F7-1	Élastique
F7-2	Longueur supplémentaire de la sangle	F8-1	Bandes réfléchissantes

### Régler la poignée de contrôle

1. Ouvrez la manette de retrait rapide pour actionner la poignée de contrôle vers l'avant ou vers l'arrière selon les besoins (Fig. G1 et G2), puis réengagez la

manette de retrait rapide pour fixer la poignée de contrôle en place.

2. Vous pouvez aussi tourner la poignée pour plus de confort (Fig. G3).

G1-1	Poignée de contrôle	G1-2	Manette de retrait rapide
------	---------------------	------	---------------------------

### Réglage de la longueur du tube de la poignée de contrôle (Fig. H1, H2)

1. Relâchez la manette de retrait rapide (Fig. H1).
2. Mettez le tube de soufflage dans une position de fonctionnement confortable dans la plage de réglage (Fig. H2).
3. Réengagez la manette de retrait rapide pour fixer le tube de soufflage en place (Fig. H2).

H1-1	Manette de retrait rapide	H2-1	Tube de soufflage
H2-2	Plage de réglage		

### DÉMARRAGE / ARRÊT DU SOUFFLEUR

**REMARQUE :** Le souffleur peut ne pas démarrer correctement si la température de la batterie ou du souffleur est inférieure ou égale à -15°C. Dans ce cas, retirez la batterie du souffleur et laissez la batterie et le souffleur se réchauffer à l'intérieur pendant 10 minutes ou plus. Réinstallez la batterie et réessayez.

### Gâchette de vitesse d'air (Fig. I1, I2)

- Appuyez sur la gâchette de vitesse pour allumer le souffleur, puis l'écran LCD affichera la jauge de carburant, l'icône de la batterie et l'indicateur de vitesse d'air.

**REMARQUE :** 1 LED de la jauge de carburant sur l'écran LCD clignote lorsque la batterie est bientôt épuisée.

- La vitesse de l'air du souffleur est contrôlée avec la gâchette à vitesse variable. Plus de pression sur la gâchette entraîne des vitesses de soufflage plus élevées ; moins de pression sur la gâchette entraîne des vitesses de soufflage plus faibles. Ajustez la vitesse en fonction de la tâche à accomplir. Le témoin de vitesse d'air correspondant s'affiche sur l'écran LCD.
- Relâchez la gâchette de vitesse de l'air pour arrêter le souffleur. L'écran LCD s'éteint quelques instants après le relâchement de la gâchette.

**REMARQUE :** Si une batterie de moins de 4 Ah est utilisée, la vitesse de soufflage est limitée à deux barres seulement.

### Mode TURBO

Pendant que la gâchette de vitesse est maintenue enfoncée, appuyez sur le bouton turbo pour augmenter le débit d'air jusqu'à la vitesse maximale (Fig. I1). L'indicateur turbo et l'icône de ventilateur s'allument sur l'écran LCD (Fig. I3).

**REMARQUE :** Le souffleur revient à la vitesse précédente lorsque vous relâchez le bouton turbo.

### Mode de verrouillage de vitesse

Le verrouillage de vitesse sert à faire fonctionner le souffleur en continu sans garder le doigt sur la gâchette.

1. Appuyez sur la gâchette jusqu'à arriver à la vitesse souhaitée (Fig. I1).
2. Appuyez sur le bouton de verrouillage de vitesse. L'icône de verrouillage rapide s'allume sur l'écran LCD (Fig. I4).
3. Puis relâchez la gâchette, le souffleur continuera à fonctionner à la vitesse souhaitée.

**REMARQUE :** Appuyer sur le bouton turbo en mode de verrouillage de vitesse permet de verrouiller la vitesse d'air au niveau maximum. Le souffleur reprendra la vitesse précédente lorsque vous appuierez de nouveau sur le bouton turbo.

4. **Pour déverrouiller le verrouillage rapide**, appuyez à nouveau sur le bouton de verrouillage rapide. L'icône de verrouillage de vitesse disparaît de l'écran LCD et le souffleur s'éteint.

I1-1	Bouton Turbo	I1-2	Bouton de verrouillage de vitesse
I1-3	Gâchette de la vitesse de l'air	I2-1	Jauge de carburant
I2-2	Indicateur de vitesse de l'air	I2-3	Icône de batterie
I3-1	Icône de ventilateur	I3-2	Indicateur de turbo
I4-1	Icône de verrouillage de vitesse		

### LAMPE LED (Fig. J)

La lampe LED est située à l'avant de la poignée de contrôle. Elle fournit un éclairage pour une meilleure

visibilité.

Appuyez une fois sur le bouton d'éclairage LED pour allumer la lampe, appuyez à nouveau dessus pour l'éteindre. Il s'éteindra également automatiquement après environ 5 minutes d'inactivité du souffleur.

J-1	Interrupteur d'éclairage LED	J-2	Lampe LED
-----	------------------------------	-----	-----------

### TECHNOLOGIE DE COMMUNICATION

Pour plus d'informations sur notre gamme complète de produits et services connectés, y compris les instructions de connexion, veuillez scanner le code QR ci-dessous ou consultez

[www.egopowerplus.eu/connect](http://www.egopowerplus.eu/connect).



### CONSEILS D'UTILISATION DU SOUFFLEUR

- Pour éviter d'éparpiller les débris, soufflez autour des bords externes du tas de débris. Ne soufflez jamais directement au centre d'un tas.
- Pour réduire le niveau sonore, limitez le nombre d'outils utilisés au même moment.
- Avant de souffler, décoincez les débris avec un râteau et un balai. Dans les environnements poussiéreux, humidifiez légèrement les surfaces si de l'eau si disponible.
- Faites attention aux enfants, animaux de compagnie, fenêtres ouvertes et voitures récemment nettoyées. Soufflez les débris en les éloignant d'une manière non dangereuse.
- Après avoir utilisé un souffleur ou un autre outil, nettoyez-le ! Mettez les débris au rebut d'une manière appropriée.

### ENTRETIEN

**⚠ AVERTISSEMENT :** L'outil ne doit être réparé qu'avec des pièces de rechange identiques. L'utilisation de toute autre pièce peut créer un danger ou détériorer l'outil. Pour garantir la sécurité et la fiabilité, toutes les réparations doivent être effectuées par un réparateur qualifié.

**⚠ AVERTISSEMENT :** Pour vous prémunir contre

le risque de blessures graves, retirez toujours la ou les batteries de l'outil avant toute opération de nettoyage ou d'entretien.

## FR ENTRETIEN GÉNÉRAL

N'utilisez pas de solvant pour nettoyer les pièces en plastique. La plupart des plastiques peuvent être détériorés par de nombreux types de solvants vendus dans le commerce. Utilisez un chiffon propre pour enlever les saletés, les poussières, l'huile, la graisse, etc.

**⚠ AVERTISSEMENT :** Veillez à ce que les pièces en plastique n'entrent jamais en contact avec du liquide de frein, de l'essence, des produits à base de pétrole, du dégrissant, etc. Les produits chimiques peuvent endommager, fragiliser ou détruire les pièces en plastique, ce qui peut provoquer des blessures corporelles graves.

**⚠ AVERTISSEMENT :** Afin de réduire le risque d'incendie, de blessures corporelles et de dommages au produit dus à un court-circuit, n'immergez en aucun cas la machine, la batterie ou le chargeur dans un liquide et ne laissez jamais un liquide s'écouler à l'intérieur. Les fluides corrosifs ou conducteurs, tels que l'eau de mer, certains produits chimiques industriels, l'eau de Javel ou les produits contenant de l'eau de Javel, etc., peuvent provoquer un court-circuit.

## RANGEMENT

- Retirez la ou les batteries du souffleur.
- Enlevez toutes les matières étrangères des entrées d'air du souffleur.
- Enclenchez la boucle de rangement verticale pour accrocher le tube de soufflage au boîtier du port de la batterie (Fig. K).
- Rangez l'outil en intérieur dans un endroit inaccessible aux enfants. Veillez à ce qu'il reste éloigné des produits corrosifs, par exemple des produits chimiques de jardinage et des sels de déverglacage.

K-1	Boucle de rangement vertical
-----	------------------------------

## PROTECTION DE L'ENVIRONNEMENT



Ne jetez pas les équipements électriques, les batteries et les chargeurs usagés avec les ordures ménagères ! Apportez ce produit chez un recycleur agréé et rendez-le disponible pour une collecte séparée. Les outils électriques doivent être amenés dans un centre de recyclage pour assurer le respect de l'environnement.

## GUIDE DE DÉPANNAGE

**FR**

PROBLÈME	CAUSE	SOLUTION
Le souffleur ne fonctionne pas.	<ul style="list-style-type: none"> <li>■ La batterie n'est pas insérée dans le souffleur.</li> <li>■ Il n'y a pas de contact électrique entre le souffleur et la batterie.</li> <li>■ La batterie est déchargée.</li> <li>■ La batterie ou le souffleur est trop chaud.</li> <li>■ Gâchette de vitesse endommagée.</li> <li>■ La batterie ou le souffleur sont trop froids.</li> </ul>	<ul style="list-style-type: none"> <li>■ Insérez la batterie dans le souffleur.</li> <li>■ Retirez la batterie, inspectez les contacts, puis réinsérez la batterie.</li> <li>■ Rechargez le bloc de batterie.</li> <li>■ Laissez la batterie et le souffleur refroidir jusqu'à ce que leur température devienne inférieure à 67°C.</li> <li>■ Contactez le service client EGO pour la réparation.</li> <li>■ Retirez la batterie et laissez la batterie et le souffleur se réchauffer à l'intérieur. Il est recommandé de charger complètement la batterie et de démarrer le souffleur à basse vitesse sans activer le mode Turbo.</li> </ul>
Lorsque la gâchette de vitesse est enfoncée, seules les deux icônes de vitesse d'air du bas s'affichent sur l'écran LCD.	<ul style="list-style-type: none"> <li>■ La batterie utilisée est de faible capacité.</li> </ul>	<ul style="list-style-type: none"> <li>■ Utilisez des batteries de 4,0 Ah ou plus.</li> </ul>
Le mode de verrouillage rapide ne peut pas être activé ou désactivé.	<ul style="list-style-type: none"> <li>■ Bouton de verrouillage de vitesse endommagé.</li> </ul>	<ul style="list-style-type: none"> <li>■ Contactez le service client EGO pour la réparation.</li> </ul>
La vitesse d'air est sensiblement réduite.	<ul style="list-style-type: none"> <li>■ La batterie est presque épuisée.</li> <li>■ Usure excessive du ventilateur du moteur.</li> <li>■ L'entrée d'air est bouchée par des débris.</li> </ul>	<ul style="list-style-type: none"> <li>■ Rechargez le bloc de batterie.</li> <li>■ Contactez le service EGO pour la réparation.</li> <li>■ Retirez la batterie de l'outil et enlevez les déchets.</li> </ul>
L'écran LCD ne fonctionne pas correctement.	<ul style="list-style-type: none"> <li>■ L'écran LCD ou le câblage sont endommagés.</li> </ul>	<ul style="list-style-type: none"> <li>■ Contactez le service EGO pour la réparation.</li> </ul>
1 LED de la jauge de carburant sur l'écran LCD clignote.	<ul style="list-style-type: none"> <li>■ La batterie est presque épuisée.</li> </ul>	<ul style="list-style-type: none"> <li>■ Rechargez la batterie.</li> </ul>

## GARANTIE

### POLITIQUE DE GARANTIE EGO

Rendez-vous sur le site web [egopowerplus.eu](http://egopowerplus.eu) pour consulter l'intégralité des conditions de la politique de garantie EGO.

## ¡LEA TODAS LAS INSTRUCCIONES!



LEER EL MANUAL DEL USUARIO

ES

**⚠ ADVERTENCIA:** Para garantizar la seguridad y fiabilidad de la herramienta, las reparaciones debe realizarlas únicamente un técnico cualificado.

## SÍMBOLOS DE SEGURIDAD

El propósito de los símbolos de seguridad es atraer su atención hacia posibles peligros. Los símbolos de seguridad y las explicaciones que los acompañan requieren su máxima atención y comprensión. Por sí solos, los símbolos de advertencia no eliminan los posibles peligros. Las instrucciones y advertencias que proporcionan no sustituyen a las medidas adecuadas de prevención de accidentes.

**⚠ ADVERTENCIA:** Asegúrese de leer y comprender todas las instrucciones de seguridad de este manual del operador, incluidos todos los símbolos de alerta de seguridad como «PELIGRO», «ADVERTENCIA» y «PRECAUCIÓN» antes de utilizar esta máquina. Si no se observan todas las instrucciones que se indican a continuación existe riesgo de incendio, electrocución y lesiones graves.

## SIGNIFICADO DE LOS SÍMBOLOS

**⚠ SÍMBOLO DE AVISO DE SEGURIDAD:** Indica PELIGRO, ADVERTENCIA o PRECAUCIÓN, puede utilizarse de manera conjunta con otros símbolos o pictogramas.

## PRECAUCIONES DE SEGURIDAD

Esta página muestra y describe los símbolos de seguridad que puede haber en este producto. Antes del montaje y utilización del producto, asegúrese de leer, comprender y seguir todas las instrucciones que están en la máquina.



Aviso de seguridad



Para reducir el riesgo de lesiones, el usuario debe leer el manual de instrucciones.



Lleve siempre protección auditiva cuando utilice este producto.



Utilice siempre gafas de seguridad, gafas con cristales anti-impacto que cuenten con pantallas de protección lateral, o bien una máscara facial que proteja completamente la cara cuando use este producto.



Todas las demás personas deben mantenerse a una distancia mínima de 15 m.



Nivel de potencia acústica garantizado. La emisión de ruido al medio ambiente cumple la directiva de la Comunidad Europea.



Los productos eléctricos no deben eliminarse con la basura doméstica. Llévelos a un centro de reciclaje autorizado.



Este producto está en conformidad con las directivas de la CE aplicables.



Corriente continua



Conformidad para el Reino Unido evaluada



No mire hacia la lámpara en funcionamiento.



Símbolo Bluetooth®

IPX5

Protección contra los chorros de agua

kg

Kilogramo

V

Tensión

m<sup>3</sup>/h

Metros cúbicos/hora

°C Celsius  
N Newton

m/s Metros por segundo

## ESPECIFICACIONES

Tensión	56 V
Volumen máximo de aire	1870 m <sup>3</sup> /h
Velocidad máxima del aire	85 m/s
Fuerza máxima de soplado	36 N
Banda de frecuencia de funcionamiento Bluetooth	2400-2438 MHz
Potencia máxima de transmisión Bluetooth	5 dBm
Peso (sin batería)	9,6 kg
Temperatura de funcionamiento recomendada	De -15 °C a 40 °C
Temperatura de almacenamiento recomendada	De -20 °C a 70 °C
Nivel de potencia acústica medido L <sub>WA</sub>	96 dB(A) K=1,4 dB(A)
Nivel de presión acústica medido a la altura del oído del usuario L <sub>PA</sub>	83 dB(A) K=3 dB(A)
Nivel de potencia acústica garantizado L <sub>WA</sub> (medido según 2000/14/CE)	98(A)
Nivel de vibraciones a <sub>h</sub>	0,25 m/s <sup>2</sup> K=1.5 m/s <sup>2</sup>

- El valor de vibración total ha sido medido de acuerdo con el método de prueba estándar y se puede utilizar para comparar herramientas;
- El valor total de vibración declarado se puede usar además en una evaluación preliminar del grado de exposición.

**AVISO:** Las vibraciones generadas durante el uso real de la herramienta eléctrica pueden diferir del valor declarado en función de la manera en que se utilice. Como protección, el usuario debería utilizar guantes y protectores auditivos en condiciones reales de uso.

## LISTA DE CONTENIDO (FIG. A1)

### DESCRIPCIÓN

#### FAMILIARÍCESE CON SU SOPLADOR (fig. A1)

1. Arnés de soporte ajustable
2. Hebilla de almacenamiento vertical
3. Placa de la mochila
4. Mango de control
5. Boquilla cónica
6. Tubo de soplado
7. Abrazadera del tubo
8. Tubo del mango de control
9. Abrazadera del mango de control
10. Abrazadera del fuelle
11. Fuelle
12. Entrada de aire
13. Empuñadura auxiliar
14. Contactos eléctricos
15. Seguro
16. Botones de liberación de la batería
17. Asa
18. Gatillo de velocidad del aire
19. Botón de bloqueo de velocidad
20. Luz LED
21. Pantalla LCD
22. Botón de la luz LED
23. Botón Turbo
24. Palancas de liberación rápida
25. Indicador de Bluetooth
26. Indicador de energía
27. Símbolo del ventilador
28. Indicador Turbo
29. Indicador de velocidad del aire
30. Símbolo de bloqueo de velocidad
31. Símbolo de la batería

ES

## MONTAJE

ES

**⚠ ADVERTENCIA:** Si alguna pieza falta o está rota, no utilice el producto hasta haber sustituido las piezas. Podrían producirse lesiones graves en caso de utilizar el producto si alguna de sus piezas falta o está dañada.

**⚠ ADVERTENCIA:** No intente modificar este producto ni fabricar accesorios no recomendados para su uso en este soplador. Cualquier alteración o modificación se considerará uso indebido y podría provocar una situación peligrosa con riesgo de sufrir lesiones graves.

**⚠ ADVERTENCIA:** Para evitar una puesta en marcha accidental que podría causar lesiones graves, quite siempre las baterías de la herramienta antes de montar piezas.

### MONTAJE DE LOS TUBOS DE SOPLADO

#### Conexión del tubo del mango de control al fuelle

1. Para un montaje más cómodo, coloque el soplador con el arnés de soporte hacia arriba, como se muestra en la fig. B1.
2. Afloje y retire los dos tornillos de un lado de la abrazadera del fuelle, abra parcialmente la abrazadera del fuelle, pero asegúrese de que la lengüeta del borde del fuelle está totalmente encajada en la ranura de la abrazadera (fig. B2).
3. Introduzca el extremo posterior del tubo del mango de control en el fuelle hasta que la superficie del extremo posterior entre en contacto con la superficie del extremo de la abrazadera del fuelle (fig. B3).
4. La abrazadera del fuelle puede cerrarse completamente cuando el tubo del mango de control está conectado correctamente al fuelle. Apriete bien los tornillos de la abrazadera del fuelle (fig. B4).

B1-1	Árnés de soporte	B1-2	Fuelle
B2-1	Tornillos	B2-2	Ranura
B2-3	Lengüeta	B2-4	Abrazadera del fuelle
B3-1	Tubo del mango de control	B3-2	Extremo posterior
B3-3	Superficie del extremo posterior	B3-4	Superficie del extremo de la abrazadera del fuelle

#### Conexión del tubo de soplado al tubo del mango de control

1. Afloje y retire la palanca de cierre rápido y la tuerca de mariposa del conjunto de la abrazadera del tubo fijada en el tubo de soplado (fig. C1).
2. Alinee la ranura del tubo de soplado con la nervadura del tubo del mango de control, deslice el tubo de soplado sobre el tubo del mango de control hasta el tope (fig. C2).
3. Introduzca el pasador de la palanca de liberación rápida y cierre la palanca en la abrazadera del tubo (fig. C3).
4. Apriete la tuerca de mariposa para asegurar la abrazadera del tubo (fig. C4).

C1-1	Tubo de soplado	C1-2	Abrazadera del tubo
C1-3	Palanca de liberación rápida	C1-4	Tuerca de mariposa
C2-1	Ranura del tubo de soplado	C2-2	Nervadura del tubo del mango de control

#### Conexión de la boquilla cónica al tubo de soplado

1. Alinee la ranura de la boquilla con el seguro del tubo. Empuje la boquilla sobre el tubo hasta que encaje firmemente en su lugar (fig. D1).
2. **Para quitar la boquilla,** mantenga pulsado el botón de liberación de la boquilla para desenganchar el seguro y, a continuación, tire recto de la boquilla para quitarla del tubo de soplado (fig. D2).

D1-1	Botón de liberación de la boquilla	D1-2	Seguro
------	------------------------------------	------	--------

## FUNCIONAMIENTO

**⚠ ADVERTENCIA:** No permita que el hecho de estar familiarizado con el producto le haga descuidarse. Recuerde que cualquier distracción de una fracción de segundo es suficiente para provocar lesiones graves.

**⚠ ADVERTENCIA:** No utilice piezas o accesorios no recomendados por el fabricante de este producto. La utilización de piezas o accesorios no recomendados puede provocar lesiones graves.

**⚠ ADVERTENCIA:** Quite siempre las baterías del producto antes de instalar piezas, efectuar ajustes, proceder a su limpieza, o cuando no lo utilice. Quitando las baterías se evita una puesta en marcha accidental de la herramienta que podría provocar lesiones.



Antes de cada uso, examine todo el producto para ver si hay piezas dañadas, extraviadas o sueltas, como tornillos, tuercas, pernos, tapones, etc. Apriete bien todas las sujeciones y los tapones y no ponga en marcha el producto hasta haber reemplazado todas las piezas que falten o que estén dañadas.

### UTILIZACIÓN

Este producto puede utilizarse para los fines indicados a continuación:

- Quitar hojas y residuos de jardín diversos del césped y los lechos de mantillo.
- Despejar superficies duras, como entradas para vehículos y caminos peatonales.
- Mantener despejadas de hojarasca y agujas de pino las terrazas y las entradas para vehículos.

**AVISO:** La herramienta debe utilizarse únicamente para el fin previsto. Cualquier otro uso se considerará uso indebido.

### INSTALACIÓN/RETIRADA DE LA BATERÍA

Utilice únicamente los modelos de baterías y cargadores de EGO indicados en la fig. A2.

Consulte los manuales de las baterías y cargadores correspondientes para obtener más detalles.

**Cargue totalmente la batería antes de usarla por primera vez.**

**NOTA:** Para obtener el mejor rendimiento, recomendamos utilizar la batería EGO de 56 V BA3360T (6,0 Ah) u otras baterías EGO de 56 V con mayor capacidad en Ah.

El soplador tiene dos puertos de batería activos, ubicados en el lado izquierdo y derecho de la carcasa del puerto de batería.

**NOTA:** El soplador puede funcionar con una o dos baterías. El uso de dos baterías le proporciona un mayor tiempo de funcionamiento y un consumo eficiente de energía gestionado por la tecnología PEAK POWER™.

Cuando las baterías se insertan en los puertos de batería correspondientes marcados con 1 o 2 en la placa de la mochila y se enciende el ventilador, el símbolo de la batería correspondiente se iluminará en la pantalla LCD (fig. E1).

#### Para instalarla (fig. E2)

Alinee las nervaduras de la batería con las ranuras de montaje, e introduzca la batería presionándola hacia abajo hasta oír un «clic». Instale la otra batería.

### Retirada

Pulse el botón de liberación de la batería y saque la batería.

**⚠ ADVERTENCIA:** Preste atención siempre a la posición de sus pies, así como a la presencia de niños o mascotas cuando pulse el botón de liberación de la batería. La caída de la batería podría provocar lesiones graves. No quiete NUNCA la batería con la herramienta situada en un lugar elevado.

ES

E1-1	Número de puertos de batería	E1-2	Pantalla LCD
E1-3	Símbolo de la batería	E2-1	Nervadura de la batería
E2-2	Ranura de montaje	E2-3	Botón de liberación de la batería

### POSICIÓN DEL SOPLADOR DE MOCHILA

**⚠ ADVERTENCIA:** Utilice ropa adecuada cuando trabaje con esta máquina, para reducir el riesgo de lesiones. No lleve puesta ropa holgada ni joyas. Utilice protección auditiva. Utilice pantalones largos, botas y guantes resistentes. No utilice pantalones cortos, sandalias, ni vaya descalzo.

Antes de usar el soplador de mochila, asegúrese de que el usuario lleve protección ocular y ropa adecuada, y que pueda mantener un buen equilibrio y los pies firmemente apoyados en el suelo.

#### Para ajustar el arnés de soporte

1. Tire de las dos correas de la placa de la mochila para asegurarse de que el arnés está bien sujeto a la placa de la mochila (fig. F1).
2. Ajuste las almohadillas de la espalda y la almohadilla lumbar para su comodidad si es necesario.
  - Afloje las correas de los hombros, despegue del velcro las almohadillas de la espalda y mueva las almohadillas a la posición deseada. A continuación, tire de las correas de los hombros para fijar las almohadillas para su mochila (fig. F2).

**NOTA:** Las líneas horizontales de las almohadillas de la espalda ayudan a ajustar ambas almohadillas al mismo nivel.

- Despegue del velcro la almohadilla lumbar y colóquela en la posición deseada (fig. F3).
3. Pase los brazos por las correas de los hombros para apoyar el soplador en la espalda. Ajuste

temporalmente las correas del pecho a posiciones cómodas, asegurándose de que el codo de su brazo derecho esté cómodo al sujetar el mango de control (fig. F4).

- Enganche la hebilla de la cintura y ajuste la longitud de las correas de la cintura, de forma que el arnés quede apoyado de forma segura en su cintura. Si la hebilla de la cintura es difícil de encajar, ajuste las dos correas laterales a cada lado para que sea más fácil (fig. F5).

**NOTA:** El arnés no debe llevarse demasiado alto en la espalda; debe estar colocado más cerca de las caderas que de los hombros.

**⚠ ADVERTENCIA:** En caso de emergencia, suelte inmediatamente la hebilla de la cintura para quitarse el arnés. Este es un método de liberación rápida.

- Vuelva a ajustar las correas del pecho de forma segura y cómoda. Compruebe que el arnés esté colocado de forma segura en su espalda, con el peso apoyado en la correa de la cintura, y sin que se mueva demasiado cuando se mueve usted (fig. F6).
- Introduzca la longitud sobrante de las correas en el elástico (fig. F7).
- Hay varias bandas reflectantes para un funcionamiento seguro. Asegúrese de no cubrir las bandas reflectantes durante el funcionamiento (fig. F8).
- Para quitarse el arnés de la espalda,** presione la hebilla de la cintura para abrirla y después baje el soplador (fig. F9).

F1-1	Correas	F1-2	Placa de la mochila
F2-1	Correas de los hombros	F2-2	Líneas horizontales
F3-1	Almohadilla lumbar	F4-1	Correas del pecho
F5-1	Correas de la cintura	F5-2	Hebilla de la cintura
F5-3	Correas laterales	F7-1	Elástico
F7-2	Longitud sobrante de la correa	F8-1	Bandas reflectantes

### Ajuste del mango de control

- Suelte la palanca de liberación rápida para mover el mango de control hacia adelante o hacia atrás según sea necesario (fig. G1 y G2) y, a continuación, enganche la palanca de liberación rápida para sujetar

el mango de control en su lugar.

- Si lo desea, también puede girar el mango para mayor comodidad (fig. G3).

G1-1	Mango de control	G1-2	Palanca de liberación rápida
------	------------------	------	------------------------------

### Para ajustar la longitud del tubo del mango de control (Fig. H1, H2)

- Suelte la palanca de liberación rápida (fig. H1).
- Mueva el tubo de soplado a una posición de funcionamiento cómoda dentro de la zona de ajuste (fig. H2).
- Enganche la palanca de liberación rápida para fijar el tubo de soplado en su sitio (fig. H2).

H1-1	Palanca de liberación rápida	H2-1	Tubo de soplado
H2-2	Zona de ajuste		

### PUESTA EN MARCHA / PARADA DEL SOPLADOR

**NOTA:** Es posible que el soplador no arranque correctamente si la temperatura de la batería o del soplador es igual o inferior a -15 °C. En este caso, quite la batería del soplador, y deje que la batería y el soplador se calienten en el interior durante 10 minutos o más. Vuelva a instalar la batería e inténtelo de nuevo.

### Gatillo de velocidad del aire (fig. I1, I2)

- Presione el gatillo de velocidad del aire para encender el soplador. A continuación, la pantalla LCD mostrará el indicador de combustible, el símbolo de la batería y el indicador de velocidad del aire.

**NOTA:** 1 LED del indicador de energía de la pantalla LCD parpadea cuando la carga de la batería es baja.

- La velocidad del aire del soplador se controla con el gatillo para la velocidad variable. Una mayor presión en el gatillo produce velocidades de soplado más altas; una menor presión en el gatillo produce velocidades de soplado más bajas. Ajuste la velocidad en función de la tarea que vaya a realizar. El indicador de la velocidad del aire correspondiente se mostrará en la pantalla LCD.
- Suelte el gatillo de velocidad del aire para apagar el soplador. La pantalla LCD se apagará dentro de un cierto período de tiempo después de soltar el gatillo.

**NOTA:** Si se utiliza una batería inferior a 4 Ah, la velocidad del aire se limita sólo a dos bares.

### Modo Turbo

Mientras se mantiene presionado el gatillo de velocidad del aire, pulse el botón Turbo para aumentar el flujo de aire a la velocidad máxima (fig. I1). El indicador Turbo y el símbolo del ventilador se encenderán en la pantalla LCD (fig. I3).

**NOTA:** El soplador volverá a la velocidad anterior cuando se suelte el botón turbo.

### Modo de bloqueo de velocidad

El bloqueo de velocidad se puede utilizar para utilizar el soplador sin presionar continuamente el gatillo de velocidad del aire.

1. Presione el gatillo de velocidad del aire hasta alcanzar la velocidad deseada (fig. I1).
2. Presione el botón de bloqueo de velocidad. El símbolo de bloqueo de velocidad se iluminará en la pantalla LCD (fig. I4).
3. A continuación, suelte el gatillo de velocidad del aire y el soplador seguirá funcionando a la velocidad «deseada».

**NOTA:** Al presionar el botón turbo mientras está en el modo de bloqueo de velocidad, se puede bloquear la velocidad del aire al nivel máximo. El soplador retomará la velocidad anterior cuando presione el botón turbo una vez más.

4. **Para liberar el bloqueo de velocidad,** pulse de nuevo el botón de bloqueo de velocidad. El símbolo de bloqueo de velocidad desaparecerá de la pantalla LCD y el soplador se apagará.

I1-1	Botón Turbo	I1-2	Botón de bloqueo de velocidad
I1-3	Gatillo de velocidad del aire	I2-1	Indicador de energía
I2-2	Indicador de velocidad del aire	I2-3	Símbolo de la batería
I3-1	Símbolo del ventilador	I3-2	Indicador Turbo
I4-1	Símbolo de bloqueo de velocidad		

### LUZ LED (fig. J)

La luz LED está situada en la parte delantera del mango de control. Proporciona iluminación para una mayor visibilidad.

Presione el botón de luz LED una vez para encender la luz, presiónelo nuevamente para apagar la luz. También se apagará automáticamente después de aproximadamente 5 minutos de inactividad del ventilador.

J-1	Botón de la luz LED	J-2	Luz LED
-----	---------------------	-----	---------

ES

### TECNOLOGÍA DE COMUNICACIÓN

Para obtener información sobre nuestra gama completa de productos y servicios conectados, incluidas las instrucciones de conexión, escanee el código QR a continuación o visite

[www.egopowerplus.eu/connect](http://www.egopowerplus.eu/connect).



### CONSEJOS PARA USAR EL SOPLADOR

- Para evitar dispersar descontroladamente el material soplado, dirija siempre el chorro de aire en torno al perímetro de los residuos apilados. No sople nunca directamente hacia el centro de la pila.
- Para reducir en lo posible los niveles de ruido emitidos, limite en lo posible el número de herramientas en uso de forma simultánea.
- Utilice rastrillos y escobas para soltar los materiales antes de despejarlos con el soplador. En entornos polvorientos, humedezca ligeramente las superficies si dispone de agua.
- Esté siempre alerta a la posible presencia de niños, mascotas, ventanas abiertas, automóviles recién lavados, etc. y utilice el soplador para despejar los materiales de manera segura.
- Tras utilizar el soplador o cualquier otro equipo, ¡asegúrese de limpiarlos! Elimine los residuos de la manera adecuada.

### MANTENIMIENTO

**⚠ ADVERTENCIA:** Cuando repare la herramienta, utilice solo piezas idénticas a las originales. La utilización de otras piezas podría suponer un peligro o causar daños en el producto. Para garantizar la seguridad y fiabilidad de la herramienta, las reparaciones debe realizarlas únicamente un técnico cualificado.

**⚠ ADVERTENCIA:** Para evitar lesiones graves, quite

siempre la batería de la herramienta antes de limpiarla o hacer tareas de mantenimiento.

## MANTENIMIENTO GENERAL

ES

Evite utilizar disolventes para limpiar las piezas de plástico. La mayoría de los plásticos podrían dañarse si se limpian con algunos de los tipos de disolventes disponibles en el mercado. Utilice un paño limpio para eliminar la suciedad, polvo, aceite, grasa, etc.

**⚠ ADVERTENCIA:** No permita nunca que las piezas de plástico entren en contacto con líquido de frenos, gasolina, productos derivados del petróleo, aceites penetrantes, etc. Las sustancias químicas podrían dañar, debilitar o destruir el plástico, con el consiguiente riesgo de provocar lesiones graves.

**⚠ ADVERTENCIA:** Para reducir el riesgo de incendio, lesiones personales y daños en el producto debido a un cortocircuito, nunca sumerja la máquina, la batería o el cargador en líquido, ni permita que penetre líquido en su interior. Los líquidos corrosivos o conductores, como el agua de mar, ciertos productos químicos industriales y la lejía o los productos que contienen lejía, etc., pueden provocar un cortocircuito.

## ALMACENAMIENTO

- Quite la(s) batería(s) del soplador.
- Elimine cualquier acumulación de suciedad y materias extrañas de las entradas de aire del soplador.
- Encaje la hebilla de almacenamiento vertical para enganchar el tubo de soplado en la carcasa del puerto de la batería (fig. K).
- Guarde el aparato en un lugar cerrado al que no pueda acceder ningún niño. Manténgalo apartado de agentes corrosivos, como productos químicos de jardinería y sal para deshielo.

K-1	Hebilla de almacenamiento vertical
-----	------------------------------------

## PROTECCIÓN DEL MEDIO AMBIENTE



¡No elimine aparatos eléctricos, baterías usadas ni cargadores de baterías junto con los desperdicios domésticos! Lleve este producto a un punto de reciclaje autorizado y deposítelo por separado según corresponda. Las herramientas eléctricas se deben llevar a un punto de reciclaje con fin de proteger el medio ambiente.

## SOLUCIÓN DE PROBLEMAS

PROBLEMA	CAUSA	SOLUCIÓN
El soplador no funciona.	<ul style="list-style-type: none"> <li>■ El acumulador no está correctamente insertado en el soplador.</li> <li>■ No hay contacto eléctrico entre la batería y el soplador.</li> <li>■ La carga de la batería está agotada.</li> <li>■ El acumulador o el circuito de la herramienta eléctrica se han sobrecalentado.</li> <li>■ Gatillo de velocidad del aire dañado.</li> <li>■ La batería o el soplador están demasiado fríos.</li> </ul>	<ul style="list-style-type: none"> <li>■ Inserte correctamente el acumulador en el soplador.</li> <li>■ Quite la batería, compruebe los contactos eléctricos y vuelva a instalarla.</li> <li>■ Cargue la batería.</li> <li>■ Enfíe la batería y el soplador hasta que su temperatura baje de 67°C.</li> <li>■ Póngase en contacto con el servicio de atención al cliente de EGO para su reparación.</li> <li>■ Saque la batería, y deje que la batería y el soplador se calienten en el interior. Se recomienda cargar completamente la batería y arrancar el soplador a baja velocidad sin activar el modo Turbo.</li> </ul>
Cuando se presiona el gatillo de velocidad del aire, solo se muestran los dos iconos de velocidad del aire inferiores en la pantalla LCD.	<ul style="list-style-type: none"> <li>■ Paquete de batería de bajo Ah usado.</li> </ul>	<ul style="list-style-type: none"> <li>■ Utilice paquetes de baterías de 4,0 Ah o superiores.</li> </ul>
El modo de bloqueo de velocidad no se puede activar ni desactivar.	<ul style="list-style-type: none"> <li>■ Botón de bloqueo de velocidad dañado.</li> </ul>	<ul style="list-style-type: none"> <li>■ Póngase en contacto con el servicio de atención al cliente de EGO para su reparación.</li> </ul>
La velocidad del aire se reduce notablemente.	<ul style="list-style-type: none"> <li>■ La carga de la batería es baja.</li> <li>■ Desgaste excesivo del ventilador del motor.</li> <li>■ La entrada de aire está obstruida por acumulación de residuos.</li> </ul>	<ul style="list-style-type: none"> <li>■ Cargue la batería.</li> <li>■ Póngase en contacto con el servicio de EGO para su reparación.</li> <li>■ Quite la batería y limpie los residuos.</li> </ul>
La pantalla LCD no funciona correctamente.	<ul style="list-style-type: none"> <li>■ La pantalla LCD o la conexión del cable están dañados.</li> </ul>	<ul style="list-style-type: none"> <li>■ Póngase en contacto con el servicio de EGO para su reparación.</li> </ul>
1 LED del indicador de energía de la pantalla LCD parpadea.	<ul style="list-style-type: none"> <li>■ La carga de la batería es baja.</li> </ul>	<ul style="list-style-type: none"> <li>■ Cargue la batería.</li> </ul>

ES

## GARANTÍA

### POLÍTICA DE GARANTÍA DE EGO

Visite la página web [egopowerplus.eu](http://egopowerplus.eu) para conocer los términos y condiciones completos de la política de garantía de EGO.

## LEIA TODAS AS INSTRUÇÕES!



**LEIA O MANUAL DO UTILIZADOR**

PT

**AVISO:** Para garantir a segurança e bom funcionamento, todas as reparações deverão ser efetuadas por um técnico de reparação qualificado.

## SÍMBOLOS DE SEGURANÇA

O objetivo dos símbolos de segurança é chamar a atenção para possíveis perigos. Os símbolos de segurança e as explicações apresentadas com eles requerem a sua atenção e compreensão. Os avisos de segurança, só por si não eliminam o perigo. As instruções e avisos dados não são substitutos para medidas de prevenção adequadas a acidentes.

**AVISO:** Certifique-se de que lê e compreende todos os avisos de segurança neste manual do utilizador, incluindo todos os símbolos de alerta de segurança, como “**PERIGO**”, “**AVISO**” e “**CUIDADO**” antes de usar esta máquina. Não seguir todas as instruções apresentadas abaixo pode resultar em choque elétrico, incêndio e/ou ferimentos graves.

## SIGNIFICADO DOS SÍMBOLOS

**SÍMBOLO DE ALERTA DE SEGURANÇA:** Indica **PERIGO**, **AVISO** ou **CUIDADO** e pode ser usado juntamente com outros símbolos ou imagens.

## INSTRUÇÕES DE SEGURANÇA

Esta página retrata e descreve os símbolos de segurança que podem aparecer neste produto. Leia, compreenda e siga todas as instruções na máquina antes de tentar montar e utilizar.



Alerta de segurança



De modo a reduzir os riscos de ferimentos, o utilizador deve ler o manual do utilizador.



Utilize sempre proteção auditiva ao utilizar este produto.



Use sempre óculos de segurança com proteção lateral e, se necessário, uma proteção completa do rosto, quando utilizar este produto.



Mantenha terceiros a, pelo menos, 15 metros de distância.



Nível de potência do som garantido. Emissão de ruído para o ambiente de acordo com a diretiva da Comunidade Europeia.



Os produtos elétricos residuais não deverão ser eliminados juntamente com o lixo doméstico comum. Entregue-os num centro de reciclagem autorizado.



Este produto encontra-se em conformidade com as diretivas CE aplicáveis.



Corrente direta



Avaliação de conformidade na GB



Não olhe diretamente para a lâmpada em funcionamento.



Símbolo Bluetooth®

IPX5

Proteção contra jatos de água

kg

Quilograma

V

Voltagem

m<sup>3</sup>/h

Metro cúbico por hora

°C Celsius  
N Newton

m/s Metros por segundo

## CARACTERÍSTICAS TÉCNICAS

Voltagem	56 V
Volume máximo do ar	1870 m <sup>3</sup> /h
Velocidade máxima do ar	85 m/s
Força máxima de sopro	36 N
Banda de frequência de funcionamento Bluetooth	2400-2438 MHz
Potência de transmissão máxima do Bluetooth	5 dBm
Peso (sem a bateria)	9,6 kg
Temperatura de funcionamento recomendada	-15°C - 40°C
Temperatura de armazenamento recomendada	-20°C - 70°C
Nível de potência do som medido L <sub>WA</sub>	96 dB(A) K=1,4 dB(A)
Nível da pressão do som no ouvido do operador L <sub>PA</sub>	83 dB(A) K=3 dB(A)
Nível de potência acústica garantido L <sub>WA</sub> (medido de acordo com 2000/14/CE)	98 dB(A)
Vibração a <sub>h</sub>	0,25 m/s <sup>2</sup> K=1,5 m/s <sup>2</sup>

- O valor total declarado da vibração foi medido de acordo com um método de teste padrão e pode ser usado para comparar duas ferramentas;
- O valor total declarado da vibração também pode ser usado numa avaliação preliminar da exposição.

**ATENÇÃO:** A emissão de vibrações durante a utilização da ferramenta elétrica pode diferir do valor declarado em que a ferramenta é usada. De modo a proteger o utilizador, este deverá usar luvas e proteção auditiva nas condições atuais de utilização.

## LISTA DE PEÇAS (IMAGEM A1)

### DESCRIÇÃO

#### CONHEÇA O SEU SOPRADOR (Imagem A1)

1. Arnês de suporte ajustável
2. Fivela de arrumação na vertical
3. Placa da mochila
4. Pega de controlo
5. Bocal afunilado
6. Tubo do soprador
7. Braçadeira do tubo
8. Tubo da pega de controlo
9. Braçadeira da pega de controlo
10. Braçadeira dos foles
11. Foles
12. Entrada do ar
13. Pega auxiliar
14. Contactos elétricos
15. Trinco
16. Botões de libertação da bateria
17. Pega
18. Gatilho da velocidade do ar
19. Botão de bloqueio da velocidade
20. Luz LED
21. Ecrã LCD
22. Botão da luz LED
23. Botão do turbo
24. Alavancas de libertação rápida
25. Indicador Bluetooth
26. Manómetro do combustível
27. Ícone da ventoinha
28. Indicador do turbo
29. Indicador da velocidade do ar
30. Ícone de bloqueio da velocidade
31. Ícone da bateria

PT

## MONTAGEM

**AVISO:** Se quaisquer peças estiverem danificadas ou em falta, não utilize este produto até as peças serem substituídas. Utilizar este produto com peças danificadas ou em falta pode dar origem a ferimentos sérios.

PT

**AVISO:** Não tente modificar este produto nem criar acessórios que não sejam recomendados para utilizar com este soprador. Qualquer alteração ou modificação é considerada uma má utilização e pode dar origem a perigos, que podem levar a ferimentos sérios.

**AVISO:** Para evitar um arranque acidental que possa causar ferimentos sérios, retire sempre as baterias do produto durante a montagem das peças.

### MONTAR OS TUBOS DO SOPRADOR

#### Ligar o tubo da pega de controlo aos foles

1. Para uma montagem conveniente, coloque o soprador com o arnês de suporte virado para cima, conforme apresentado na Imagem B1.
2. Desaperte e retire os dois parafusos de um lado da braçadeira dos foles, abra parcialmente a braçadeira dos foles, mas certifique-se de que a aba no rebordo dos foles fica completamente encaixada na ranhura da braçadeira (Imagem B2).
3. Insira a extremidade traseira do tubo da pega de controlo nos foles, até que a superfície da extremidade traseira contacte com a superfície da extremidade da braçadeira dos foles (Imagem B3).
4. A braçadeira dos foles pode ser completamente fechada quando o tubo da pega de controlo estiver ligado corretamente aos foles. Aperte bem os parafusos da braçadeira dos foles (Imagem B4).

B1-1	Arnês de suporte	B1-2	Foles
B2-1	Parafusos	B2-2	Ranhura
B2-3	Aba	B2-4	Braçadeira dos foles
B3-1	Tubo da pega de controlo	B3-2	Extremidade traseira
B3-3	Superfície da extremidade traseira	B3-4	Superfície da extremidade da braçadeira dos foles

#### Ligar o tubo do soprador ao tubo da pega de controlo

1. Desaperte e retire a alavanca de libertação rápida e a

porca de asas do conjunto da braçadeira do tubo no tubo do soprador (Imagem C1).

2. Alinhe a ranhura no tubo do soprador com a saliência no tubo da pega de controlo, faça deslizar o tubo do soprador sobre o tubo da pega de controlo até ao fundo (Imagem C2).
3. Insira a cavilha da alavanca de libertação rápida e feche a alavanca na braçadeira do tubo (Imagem C3).
4. Aperte a porca de asas para fixar a braçadeira do tubo (Imagem C4).

C1-1	Tubo do soprador	C1-2	Braçadeira do tubo
C1-3	Alavanca de libertação rápida	C1-4	Porca de asas
C2-1	Ranhura do tubo do soprador	C2-2	Abra do tubo da pega de controlo

#### Ligar o bocal afunilado no tubo do soprador

1. Alinhe a ranhura no bocal com o trinco no tubo. Pressione o bocal sobre o tubo até encaixar fixamente no respetivo lugar (Imagem D1).
2. **Para retirar o bocal**, prima e mantenha o botão de libertação do bocal para libertar o trinco, depois, puxe o bocal a direito para fora do tubo do soprador (Imagem D2).

D1-1	Botão de libertação do bocal	D1-2	Trinco
------	------------------------------	------	--------

## FUNCIONAMENTO

**AVISO:** Não permita que a familiarização com este produto o torne descuidado. Lembre-se de que uma fração de segundo de desatenção é o suficiente para sofrer um ferimento sério.

**AVISO:** Não utilize quaisquer acessórios para além dos recomendados pelo fabricante deste produto. A utilização de acessórios que não sejam recomendados pode dar origem a ferimentos sérios.

**AVISO:** Retire sempre as baterias do produto quando estiver a montar peças, fazer ajustes, limpar ou quando não utilizar o produto. Retirar as baterias evita um arranque acidental que poderia causar ferimentos sérios.

Antes de cada utilização, inspecione todo o produto quanto a peças danificadas, em falta ou soltas, como parafusos, porcas, tampas, etc. Aperte bem todos os fixadores e tampas e não utilize este produto até



que todas as peças em falta ou danificadas sejam substituídas.

### APLICAÇÃO

Pode utilizar este produto com os intuitos listados abaixo:

- Limpeza de folhas e de detritos variados de relvados e leitões de palha.
- Limpeza de superfícies duras, como passeios e passagens.
- Manter terraços e serventias sem folhas ou caruma.

**ATENÇÃO:** A ferramenta tem de ser usada apenas conforme descrito. Qualquer outra utilização será considerada má utilização.

### FIXAR/RETIRAR A BATERIA

Utilize apenas com as baterias e carregadores da EGO listados na Imagem A2.

Consulte os manuais da bateria e do carregador para obter mais detalhes.

### Carregue por completo antes da primeira utilização.

**NOTA:** Para um melhor desempenho, recomendamos que use a bateria EGO de 56V BA3360T (6.0 Ah) ou qualquer bateria EGO de 56V com maior capacidade Ah.

O soprador tem duas portas de baterias ativas do lado esquerdo e direito da estrutura da porta da bateria.

**NOTA:** O soprador pode funcionar com uma ou duas baterias. Usar duas baterias permite um maior tempo de funcionamento e maior eficiência energética gerida pela tecnologia PEAK POWER™.

Quando as baterias estiverem inseridas nas respetivas portas assinaladas com 1 ou 2 na placa da mochila, e o soprador for ligado, o ícone da respetiva bateria acende no ecrã LCD (Imagem E1).

### Para fixar (Imagem E2)

Alinhe as abas da bateria com as ranhuras de fixação e empurre a bateria para baixo até ouvir um “clique”. Fixe a outra bateria.

### Para retirar

Prima o botão de libertação da bateria e puxe a bateria para fora.

**AVISO:** Certifique-se sempre da localização dos seus pés, de crianças ou animais quando pressionar o botão de libertação da bateria. Se a bateria cair, podem ocorrer ferimentos sérios. NUNCA retire a bateria num

local elevado.

E1-1	Número de portas da bateria	E1-2	Ecrã LCD
E1-3	Ícone da bateria	E2-1	Aba da bateria
E2-2	Ranhura de fixação	E2-3	Botão de libertação da bateria

PT

### POSICIONAMENTO DO SOPRADOR

**AVISO:** Vista-se adequadamente para reduzir o risco de ferimentos quando utilizar esta máquina. Não use roupa larga nem joalheria. Use proteções oculares e auditivas. Use calças compridas e resistentes, mangas compridas, botas e luvas. Não utilize roupa curta, sandálias nem ande descalço.

Antes de usar o soprador de mochila, certifique-se de que o operador está a usar proteção ocular e roupa adequada, e que mantém uma base e equilíbrio adequados.

### Ajustar o arnês de suporte

1. Coloque as duas alças da placa da mochila para se certificar de que o arnês fica completamente fixado na placa da mochila (Imagem F1).
2. Se necessário, ajuste as partes almofadadas das costas e lombar para maior conforto.
  - Desaperte as alças para os ombros, retire as almofadas para as costas do velcro e mova-as para a posição desejada. Depois, coloque as alças para os ombros para fixar as almofadas (Imagem F2).
- AVISO:** As linhas horizontais nas almofadas das costas ajudam a ajustar ambas as almofadas em simultâneo.
  - Retire a almofada lombar do velcro e mova-a para a posição desejada (Imagem F3).
3. Coloque os seus braços através do arnês para suportar o soprador nas suas costas. Ajuste temporariamente as alça para o peito para uma posição confortável, certificando-se de que o seu cotovelo direito fica confortável quando segurar a pega de controlo (Imagem F4).
4. Fixe a fivela para a cintura e ajuste o comprimento das alças para a cintura, de modo a que o arnês fique bem suportado pela sua cintura. Se tiver dificuldades em encaixar a fivela para a cintura, ajuste as alças de dois lados em cada lado, para ficar mais fácil (Imagem F5).

**NOTA:** O arnês não deve ficar muito elevado nas suas

costas. Ele deve ser posicionado mais perto das suas ancas do que dos seus ombros.

**⚠ AVISO:** Quando ocorrer uma emergência, liberte imediatamente a fivela para a cintura para retirar o arnês. Este é um método de libertação rápida.

PT

5. Reajuste as alças para o peito, para segurança e conforto. Certifique-se de que o arnês assenta em segurança nas suas costas, com o peso suportado pela alça para a cintura, e sem movimentos em excesso quando se mover (Imagem F6).
6. Insira qualquer comprimento extra das alças no elástico (Imagem F7).
7. Existem várias faixas refletoras, para uma operação em segurança. Certifique-se de que não cobre as faixas refletoras durante o funcionamento (Imagem F8).
8. **Para libertar o arnês das suas costas**, basta premir a fivela para a cintura para a libertar e baixar o soprador (Imagem F9).

F1-1	Alças	F1-2	Placa da mochila
F2-1	Alças para os ombros	F2-2	Linhas Horizontais
F3-1	Almofadas lombares	F4-1	Alças para o peito
F5-1	Alças para a cintura	F5-2	Fivela para a cintura
F5-3	Alças laterais	F7-1	Elástico
F7-2	Comprimento extra da alça	F8-1	Faixas refletoras

### Ajustar a pega de controlo

1. Liberte a alavanca de libertação rápida para mover a pega de controlo para a frente ou para trás conforme necessário (Imagem G1 e G2) e depois encaixe a alavanca de libertação rápida para fixar a pega de controlo no respetivo lugar.
2. Também pode rodar a pega conforme necessário, para maior conforto (Imagem G3).

G1-1	Pega de controlo	G1-2	Alavanca de libertação rápida
------	------------------	------	-------------------------------

### Ajustar o comprimento do tubo da pega de controlo (Imagem H1 e H2)

1. Liberte a alavanca de libertação rápida (Imagem H1).

2. Mova o tubo do soprador para uma posição de funcionamento confortável dentro da zona de ajuste (Imagem H2).
3. Encaixe a alavanca de libertação rápida para fixar o tubo do soprador no respetivo lugar (Imagem H2).

H1-1	Alavanca de libertação rápida	H2-1	Tubo do soprador
H2-2	Zona de ajuste		

### LIGAR/DESLIGAR O SOPRADOR

**NOTA:** O soprador pode não começar a funcionar corretamente se a temperatura da bateria ou do soprador for inferior a -15 °C. Neste caso, retire a bateria do soprador, deixe a bateria e o soprador aquecerem no interior durante mais de 10 minutos. Volte a colocar a bateria e tente de novo.

### Gatilho da velocidade do ar (Imagem I1 e I2)

- Pressione o gatilho da velocidade do ar para ligar o soprador. Depois, o ecrã LCD apresenta o manómetro do combustível, ícone da bateria e indicador da velocidade do ar.

**NOTA:** 1 LED do manómetro do combustível no ecrã LCD pisca quando a carga da bateria estiver fraca.

- A velocidade do ar do soprador é controlada com o gatilho da velocidade variável. Mais pressão no gatilho dá origem a velocidades de sopro superiores. Menos pressão no gatilho dá origem a velocidades de sopro inferiores. Ajuste a velocidade para se adequar à tarefa a ser efetuada. O respetivo indicador da velocidade do ar é apresentado no ecrã LCD.
- Liberte o gatilho da velocidade do ar para desligar o soprador. O ecrã LCD desliga-se passado um certo período de tempo após libertar o gatilho.

**NOTA:** Se usar uma bateria abaixo dos 4 Ah, a velocidade do ar é limitada por apenas duas barras.

### Modo turbo

Enquanto mantém pressionado o gatilho da velocidade do ar, prima o botão do turbo para aumentar o fluxo do ar para a velocidade máxima (Imagem I1). Tanto o indicador do turbo como o ícone da ventoinha acendem no ecrã LCD (Imagem I3).

**NOTA:** O soprador volta à velocidade anterior quando libertar o botão do turbo.

### Modo de bloqueio da velocidade

O bloqueio da velocidade pode ser usado para operar o soprador sem que tenha de manter pressionado o gatilho da velocidade do ar.

1. Pressione o gatilho da velocidade do ar até atingir a velocidade desejada (Imagem I1).
2. Prima o botão de bloqueio da velocidade. O ícone de bloqueio da velocidade acende no ecrã LCD (Imagem I4).
3. Depois, liberte o gatilho da velocidade do ar. O soprador continua a funcionar com a velocidade “desejada”.

**NOTA:** Premir o botão do turbo durante o modo de bloqueio da velocidade pode fixar a velocidade do ar no nível máximo. O soprador volta à velocidade anterior quando premir novamente o botão do turbo.

4. **Para libertar o bloqueio da velocidade**, prima de novo o botão de bloqueio da velocidade. O ícone de bloqueio da velocidade desaparece do ecrã LCD e o soprador é desligado.

I1-1	Botão do turbo	I1-2	Botão de bloqueio da velocidade
I1-3	Gatilho da velocidade do ar	I2-1	Manómetro do combustível
I2-2	Indicador da velocidade do ar	I2-3	Ícone da bateria
I3-1	Ícone da ventoinha	I3-2	Indicador do turbo
I4-1	Ícone de bloqueio da velocidade		

### LUZ LED (Imagem J)

A luz LED encontra-se na frente da pega de controlo. Ela fornece iluminação para uma visibilidade acrescida.

Prima uma vez o botão da luz LED para ligar a luz. Prima de novo para desligar a luz. Esta também se desliga automaticamente passados cerca de 5 minutos de inatividade do soprador.

J-1	Botão da luz LED	J-2	Luz LED
-----	------------------	-----	---------

### TECNOLOGIA DE COMUNICAÇÃO

Para mais informações sobre a nossa gama completa de produtos e serviços conectados, incluindo instruções de conexão, leia o código QR apresentado abaixo, ou visite [www.egopowerplus.eu/connect](http://www.egopowerplus.eu/connect).



### DICAS PARA USAR O SOPRADOR

- Para evitar dispersar o lixo, sopre em redor das extremidades de um monte de lixo. Nunca sopre diretamente para o centro do monte.
- Para reduzir os níveis de ruído, limite o número de peças de equipamento usadas de uma vez.
- Use ancinhos e vassouras para libertar o lixo antes de o soprar. Em condições poeirentas, humedeça ligeiramente as superfícies, se tiver água disponível.
- Tenha cuidado com as crianças, animais, janelas abertas ou carros lavados recentemente, e afaste o lixo em segurança.
- Após utilizar o soprador ou outro equipamento, proceda à limpeza! Elimine o lixo corretamente.

### MANUTENÇÃO

**AVISO:** Quando fizer reparações, utilize apenas peças de substituição idênticas. A utilização de outras peças pode dar origem a perigos ou danos no produto. Para garantir a segurança e bom funcionamento, todas as reparações deverão ser efetuadas por um técnico de reparação qualificado.

**AVISO:** Para evitar ferimentos sérios, retire sempre a bateria do produto quando limpar ou efetuar qualquer manutenção.

### MANUTENÇÃO GERAL

Evite usar solventes quando limpar peças de plástico. Grande parte dos plásticos é suscetível a danos devido a vários tipos de solventes comerciais. Utilize panos limpos para retirar a sujidade, pó, óleo, gordura, etc.

**AVISO:** Nunca permita que o líquido dos travões, gasolina, produtos à base de petróleo, óleos penetrantes, etc., entrem em contacto com as peças de plástico. Os químicos podem danificar, enfraquecer ou destruir o plástico o que pode dar origem a ferimentos sérios.

**AVISO:** Para reduzir o risco de fogo, ferimentos e danos no produto devido a um curto-circuito, nunca coloque a máquina, bateria ou carregador dentro de líquidos, nem permita que um líquido entre no produto.

Líquidos corrosivos ou condutores, como água do mar, alguns químicos industriais e lixívia ou produtos com lixívia podem causar um curto-circuito.

## ARMAZENAMENTO

- Retire a bateria do soprador.
- Limpe todo o material estranho das entradas de ar do soprador.
- Encaixe a fivela de arrumação na vertical para fixar o tubo do soprador na estrutura da porta da bateria (Imagem K).
- Guarde-o num espaço fechado e inacessível a crianças. Mantenha afastado de agentes corrosivos, como químicos de jardinagem e sais de degelo.

K-1	Fivela de arrumação na vertical
-----	---------------------------------

## PROTEJA O AMBIENTE



Não elimine equipamento elétrico, bateria gasta nem carregador juntamente com o lixo doméstico comum! Leve este produto a um centro de reciclagem autorizado para que possa haver uma separação das peças. As ferramentas elétricas têm de ser devolvidas em instalações de reciclagem ambientalmente compatíveis.

PT

## RESOLUÇÃO DE PROBLEMAS

PROBLEMA	CAUSA	SOLUÇÃO
O soprador não funciona.	<ul style="list-style-type: none"> <li>■ A bateria não foi colocada no soprador.</li> <li>■ Não existe contacto elétrico entre o soprador e a bateria.</li> <li>■ A bateria está gasta.</li> <li>■ A bateria ou o soprador está muito quente.</li> <li>■ Gatilho da velocidade do ar danificado.</li> <li>■ A bateria ou o soprador está demasiado frio.</li> </ul>	<ul style="list-style-type: none"> <li>■ Fixe a bateria no soprador.</li> <li>■ Retire a bateria, verifique os contactos e volte a instalar a bateria.</li> <li>■ Carregue a bateria.</li> <li>■ Deixe a bateria e o soprador arrefecerem até que a temperatura desça abaixo dos 67°C.</li> <li>■ Contacte o serviço de apoio ao cliente da EGO para proceder à reparação.</li> <li>■ Retire a bateria, deixe a bateria e o soprador aquecerem no interior. Recomendamos que carregue a bateria por completo e que ligue o soprador a baixa velocidade, sem ativar o modo do turbo.</li> </ul>
Quando o gatilho da velocidade do ar é pressionado, apenas os dois ícones inferiores da velocidade do ar são apresentados no ecrã LCD.	<ul style="list-style-type: none"> <li>■ Foi usada uma bateria Ah fraca.</li> </ul>	<ul style="list-style-type: none"> <li>■ Use baterias de 4.0 Ah ou mais.</li> </ul>
O modo de bloqueio da velocidade não pode ser ligado ou desligado.	<ul style="list-style-type: none"> <li>■ Botão de bloqueio da velocidade danificado.</li> </ul>	<ul style="list-style-type: none"> <li>■ Contacte o serviço de apoio ao cliente da EGO para proceder à reparação.</li> </ul>
A velocidade do ar diminui claramente.	<ul style="list-style-type: none"> <li>■ A bateria está fraca.</li> <li>■ Desgaste excessivo da ventoinha do motor.</li> <li>■ A entrada do ar está obstruída por resíduos.</li> </ul>	<ul style="list-style-type: none"> <li>■ Carregue a bateria.</li> <li>■ Contacte o centro de reparação da EGO para efetuar a reparação.</li> <li>■ Retire a bateria e limpe os resíduos.</li> </ul>
O ecrã LCD não funciona corretamente.	<ul style="list-style-type: none"> <li>■ O ecrã LCD ou a ligação do fio estão danificados.</li> </ul>	<ul style="list-style-type: none"> <li>■ Contacte o centro de reparação da EGO para efetuar a reparação.</li> </ul>
1 LED do manómetro do combustível no ecrã LCD pisca.	<ul style="list-style-type: none"> <li>■ A bateria está fraca.</li> </ul>	<ul style="list-style-type: none"> <li>■ Carregue a bateria.</li> </ul>

PT

## GARANTIA

### POLÍTICA DE GARANTIA EGO

Visite o website [egopowerplus.eu](http://egopowerplus.eu) para os termos e condições completos da política de garantia da EGO.

## LEGGERE TUTTE LE ISTRUZIONI!



### LEGGERE IL MANUALE DI ISTRUZIONI

**AVVERTENZA:** Per garantire sicurezza e affidabilità, tutte le operazioni di riparazione e sostituzione devono essere effettuate da un tecnico qualificato.

**IT**

## SIMBOLI DI SICUREZZA

Lo scopo dei simboli di sicurezza è attirare l'attenzione dell'operatore su possibili pericoli. I simboli di sicurezza e le relative spiegazioni richiedono la massima attenzione e comprensione da parte dell'operatore. Le avvertenze espresse dai simboli, da sole, non eliminano tutti i rischi. Le istruzioni e le avvertenze non sostituiscono le adeguate misure di prevenzione contro gli incidenti.

**AVVERTENZA:** Accertarsi di aver letto e compreso tutte le istruzioni di sicurezza in questo manuale, inclusi tutti i simboli di avvertenza come "PERICOLO", "AVVERTENZA" e "ATTENZIONE", prima di usare l'apparecchio. Il mancato rispetto di tutte le istruzioni elencate di seguito comporta il rischio di scossa elettrica, incendio e/o lesioni gravi.

## SIGNIFICATO DEI SIMBOLI

**SIMBOLO DI AVVERTENZA:** indica **PERICOLO**, **AVVERTENZA** o **ATTENZIONE**; può essere usato in combinazione con altri simboli o icone.

## AVVERTENZE DI SICUREZZA

Questa pagina illustra e descrive i simboli di sicurezza che possono essere presenti sul prodotto. Leggere, comprendere e seguire tutte le istruzioni sull'apparecchio prima di tentare di assemblarlo e ripararlo.



Avvertenza di sicurezza



Per ridurre il rischio di infortuni, leggere il manuale di istruzioni.



Durante l'uso dell'apparecchio, indossare sempre protezioni per le orecchie.



Durante l'uso del prodotto, indossare sempre occhiali protettivi o occhiali di sicurezza con protezioni laterali e una maschera facciale.



Tenere eventuali altre persone ad almeno 15 metri di distanza.



Livello di potenza sonora garantito. Emissione acustica ambientale ai sensi della direttiva dell'Unione europea.



Gli apparecchi elettrici non devono essere smaltiti insieme ai rifiuti domestici. Portarli presso un centro di riciclaggio autorizzato.



Questo prodotto è conforme alle direttive europee applicabili.



Corrente continua



Conformità ai requisiti del Regno Unito



Non fissare la fonte luminosa.



Simbolo Bluetooth®

IPX5

Protezione dai getti d'acqua

kg

Chilogrammo

V

Tensione

m³/h

Metri cubi all'ora

°C Grado Celsius

m/s Metri al secondo

N Newton

## SPECIFICHE TECNICHE

Tensione	56 V
Volume dell'aria max	1870 m <sup>3</sup> /h
Velocità dell'aria max	85 m/s
Forza di soffiaggio max	36 N
Banda di frequenza Bluetooth	2400/2438 MHz
Potenza di trasmissione max Bluetooth	5 dBm
Peso (senza gruppo batteria)	9,6 kg
Temperatura di funzionamento raccomandata	Da -15°C a 40°C
Temperatura di conservazione raccomandata	Da -20°C a 70°C
Livello di potenza sonora misurato L <sub>WA</sub>	96 dB(A) K=1,4 dB(A)
Livello di pressione sonora a livello dell'orecchio dell'operatore L <sub>PA</sub>	83 dB(A) K=3 dB(A)
Livello di potenza sonora garantito L <sub>WA</sub> (misurato conformemente a 2000/14/EC)	98 dB(A)
Vibrazioni a <sub>h</sub>	0,25 m/s <sup>2</sup> K=1,5 m/s <sup>2</sup>

- Il valore totale di emissione delle vibrazioni dichiarato è stato misurato con un metodo di valutazione standard e può essere utilizzato per confrontare l'apparecchio con altri prodotti analoghi.
- Il valore totale di emissione delle vibrazioni dichiarato può essere utilizzato anche per una valutazione preliminare dei livelli di esposizione.

**NOTA:** il valore di emissione delle vibrazioni durante l'uso effettivo dell'apparecchio può variare rispetto al valore totale dichiarato in base alla modalità di utilizzo dell'apparecchio. Per proteggersi, l'operatore deve indossare guanti e dispositivi di protezione per le orecchie in base alle condizioni di utilizzo effettive.

## CONTENUTO DELL'IMBALLAGGIO (FIG. A1)

### DESCRIZIONE

#### COMPONENTI DEL SOFFIATORE (Fig. A1)

1. Imbracatura regolabile
2. Fibbia per lo stoccaggio verticale
3. Piastra dello zaino
4. Impugnatura di comando
5. Bocchetta conica
6. Tubo di soffiaggio
7. Morsetto del tubo
8. Tubo con impugnatura di comando
9. Morsetto dell'impugnatura di comando
10. Morsetto del soffietto
11. Soffietto
12. Apertura di ingresso dell'aria
13. Impugnatura ausiliaria
14. Contatti elettrici
15. Dispositivo di bloccaggio
16. Pulsanti di rilascio della batteria
17. Impugnatura
18. Interruttore a velocità variabile
19. Pulsante di bloccaggio della velocità
20. Luce LED
21. Display LCD
22. Interruttore della luce
23. Pulsante della modalità Turbo
24. Leve a rilascio rapido
25. Indicatore Bluetooth
26. Indicatore di carica
27. Icona della ventola
28. Icona della modalità Turbo
29. Indicatori della velocità dell'aria
30. Icona del bloccaggio della velocità
31. Icona della batteria

IT

## ASSEMBLAGGIO

**AVVERTENZA:** In caso di componenti danneggiati o mancanti, non usare il prodotto finché i componenti non vengono sostituiti. L'uso del prodotto con componenti danneggiati o mancanti comporta il rischio di lesioni gravi.

**AVVERTENZA:** Non tentare di modificare il prodotto o creare accessori non raccomandati per l'uso con questo soffiatore. Tali alterazioni o modifiche costituiscono un uso improprio e comportano condizioni pericolose e il rischio di lesioni gravi.

**AVVERTENZA:** Per evitare l'avvio accidentale e il conseguente rischio di lesioni gravi, rimuovere sempre le batterie dal prodotto durante l'assemblaggio dei componenti.

### ASSEMBLAGGIO DEI TUBI DI SOFFIAGGIO

#### Collegamento del tubo con impugnatura di comando al soffietto

- Per facilitare l'assemblaggio, posizionare il soffiatore con l'imbracatura rivolta verso l'altro, come illustrato in Fig. B1.
- Allentare e rimuovere le due viti da un lato del morsetto del soffietto e aprire parzialmente il morsetto assicurandosi che la linguetta sul bordo del soffietto si incastra nella fessura del morsetto (Fig. B2).
- Inserire l'estremità posteriore del tubo con impugnatura di comando nel soffietto finché il bordo sporgente non entra a contatto con il bordo del morsetto del soffietto (Fig. B3).
- È possibile chiudere completamente il morsetto del soffietto quando il tubo con impugnatura di comando è collegato correttamente al soffietto. Fissare saldamente le viti del morsetto del soffietto (Fig. B4).

B1-1	Imbracatura	B1-2	Soffietto
B2-1	Viti	B2-2	Fessura
B2-3	Linguetta	B2-4	Morsetto del soffietto
B3-1	Tubo con impugnatura di comando	B3-2	Estremità posteriore
B3-3	Bordo sporgente	B3-4	Bordo del morsetto del soffietto

#### Collegamento del tubo di soffiaggio al tubo con impugnatura di comando

- Allentare la leva a rilascio rapido e rimuoverla, insieme al dado a farfalla, dal morsetto del tubo di soffiaggio (Fig. C1).
- Allineare la scanalatura sul tubo di soffiaggio con la sporgenza sul tubo con impugnatura di comando, quindi far scorrere il tubo di soffiaggio sopra il tubo con impugnatura di comando, fino in fondo (Fig. C2).
- Inserire il perno della leva a rilascio rapido e chiudere la leva sul morsetto del tubo (Fig. C3).
- Serrare il dado a farfalla per fissare il morsetto del tubo (Fig. C4).

C1-1	Tubo di soffiaggio	C1-2	Morsetto del tubo
C1-3	Leva a rilascio rapido	C1-4	Dado a farfalla
C2-1	Scanalatura	C2-2	Sporgenza

#### Collegamento della bocchetta conica al tubo di soffiaggio

- Allineare la scanalatura sulla bocchetta con il fermaglio sul tubo. Spingere la bocchetta sul tubo finché non si incastra in posizione (Fig. D1).
- Per rimuovere la bocchetta**, tenere premuto il pulsante di rilascio della bocchetta per sganciarla dal fermaglio, quindi tirarla in linea retta (Fig. D2).

D1-1	Pulsante di rilascio della bocchetta	D1-2	Fermaglio
------	--------------------------------------	------	-----------

## UTILIZZO

**AVVERTENZA:** La familiarità con questo prodotto non deve rendere l'operatore disattento. Anche un solo momento di disattenzione comporta il rischio di lesioni gravi.

**AVVERTENZA:** Non usare accessori non raccomandati dal costruttore del prodotto. L'uso di accessori non raccomandati comporta il rischio di lesioni gravi.

**AVVERTENZA:** Rimuovere le batterie dal prodotto prima di pulirlo, regolarlo o assemblare i componenti e quando non è in uso. La rimozione delle batterie impedisce l'avvio accidentale e il conseguente rischio di lesioni gravi.



Prima di ogni utilizzo, ispezionare l'intero prodotto per verificare che nessun elemento sia mancante e non siano presenti componenti danneggiati o allentati, ad esempio viti, bulloni, cappucci, ecc. Serrare saldamente tutti i dispositivi di fissaggio e non usare il prodotto finché tutti i componenti mancanti o danneggiati non vengono sostituiti.

### DESTINAZIONE D'USO

Questo prodotto può essere usato per gli scopi elencati di seguito:

- Rimuovere foglie e detriti similari da prati e aiuole.
- Pulire superfici dure come vialetti e passerelle.
- Mantenere pedane e vialetti privi di foglie e aghi di pino.

**NOTA:** il prodotto deve essere utilizzato esclusivamente per gli scopi previsti. Altri utilizzi sono da considerarsi impropri.

### INSTALLAZIONE/RIMOZIONE DEL GRUPPO BATTERIA

Usare il prodotto esclusivamente con i gruppi batteria e caricabatteria EGO elencati in Fig. A2.

Consultare il manuale dei gruppi batteria e del caricabatteria per le istruzioni dettagliate.

### Ricaricare completamente la batteria prima del primo utilizzo.

**NOTA:** per le migliori prestazioni si raccomanda l'uso del gruppo batteria EGO 56 V BA3360T (6,0 Ah) o di altri gruppi batteria EGO 56 V di capacità superiore.

Il soffiatore è dotato di due scomparti per batteria sul lato destro e sul lato sinistro del vano batterie.

**NOTA:** il soffiatore può essere alimentato a una o due batterie. L'uso di due batterie aumenta l'autonomia e l'efficienza energetica grazie alla tecnologia PEAK POWER™.

Dopo aver inserito i gruppi batteria nei due scomparti contrassegnati dai numeri 1 e 2 sulla piastra dello zaino, all'accensione del soffiatore le icone corrispondenti si illumineranno sul display (Fig. E1).

### Installazione (Fig. E2)

Allineare i rilievi sul gruppo batteria con le scanalature di fissaggio e premere il gruppo batteria fino a udire un "clic". Installare l'altro gruppo batteria.

### Rimozione

Premere il pulsante di rilascio della batteria ed estrarre il

gruppo batteria.

**AVVERTENZA:** Prestare attenzione ai propri piedi e all'eventuale presenza di bambini o animali attorno a sé durante la pressione del pulsante di rilascio della batteria. La caduta della batteria comporta il rischio di lesioni gravi. NON rimuovere la batteria quando si è in posizione sopraelevata.

E1-1	Numeri degli scomparti	E1-2	Display LCD
E1-3	Icona della batteria	E2-1	Rilievo sulla batteria
E2-2	Scanalatura di fissaggio	E2-3	Pulsante di rilascio della batteria

IT

### POSIZIONAMENTO DEL SOFFIATORE A ZAINO

**AVVERTENZA:** Vestirsi adeguatamente per ridurre il rischio di infortuni durante l'uso dell'apparecchio. Non indossare indumenti ampi o gioielli. Indossare dispositivi di protezione per gli occhi e le orecchie. Indossare pantaloni lunghi e pesanti, stivali e guanti. Non indossare pantaloni corti o sandali e non usare il soffiatore a piedi nudi.

Prima di usare il soffiatore a zaino, assicurarsi di indossare protezioni per gli occhi e indumenti adeguati e di assumere una postura salda e in equilibrio.

### Regolazione dell'imbracatura

1. Tirare le due cinghie della piastra dello zaino per assicurarsi che l'imbracatura sia fissata saldamente alla piastra dello zaino (Fig. F1).
2. Se necessario, regolare i cuscinetti dorsali e il cuscinetto lombare.
  - Allentare le cinghie degli spallacci, rimuovere i cuscinetti dorsali e portarli nella posizione desiderata, quindi tirare le cinghie degli spallacci per fissare i cuscinetti dorsali (Fig. F2).

**NOTA:** usare le linee orizzontali sui cuscinetti dorsali come riferimento per posizionare i cuscinetti allo stesso livello.

- Rimuovere il cuscinetto lombare e portarlo nella posizione desiderata (Fig. F3).
3. Infilare le braccia sotto l'imbracatura per indossare il soffiatore sulla schiena. Regolare temporaneamente le cinghie pettorali in modo tale che il gomito del braccio destro si trovi in una posizione confortevole durante l'uso dell'impugnatura di comando (Fig. F4).
  4. Allacciare la fibbia della cintura e regolare la

lunghezza delle cinghie della cintura affinché l'imbracatura sia sostenuta a livello della vita. Se la fibbia della cintura è difficile da chiudere, regolare le cinghie laterali (Fig. F5).

**NOTA:** l'imbracatura non deve essere indossata troppo in alto sulla schiena; deve essere più vicina al bacino che alle spalle.

**IT**

**AVVERTENZA:** In caso di emergenza, aprire immediatamente la fibbia della cintura per rimuovere la cintura. Questo è un metodo di rilascio rapido.

- Regolare nuovamente le cinghie pettorali finché non sono sicure e confortevoli. Assicurarsi che l'imbracatura sia appoggiata saldamente contro la schiena, con il peso sostenuto dalla cintura, e verificare che non si sposti eccessivamente durante il movimento (Fig. F6).
- Inserire le estremità libere delle cinghie della cintura nella fascetta elastica (Fig. F7).
- Per una maggiore sicurezza, sull'imbracatura sono presenti diverse strisce riflettenti. Assicurarsi di non coprire le strisce riflettenti durante l'uso (Fig. F8).
- Per sfilare l'imbracatura dalla schiena**, premere la fibbia della cintura e la fibbia della cinghia toracica per slacciarle (Fig. F9).

F1-1	Cinghie	F1-2	Piastra dello zaino
F2-1	Cinghie degli spallacci	F2-2	Linee orizzontali
F3-1	Cuscinetto lombare	F4-1	Cinghie pettorali
F5-1	Cinghie della cintura	F5-2	Fibbia della cintura
F5-3	Cinghie laterali	F7-1	Fascetta elastica
F7-2	Estremità libera della cinghia	F8-1	Strisce riflettenti

### Regolazione dell'impugnatura di comando

- Aprire la leva a rilascio rapido per spostare l'impugnatura di comando in avanti o all'indietro (Fig. G1 e G2), quindi chiudere la leva a rilascio rapido per bloccare l'impugnatura in posizione.
- È anche possibile ruotare l'impugnatura (Fig. G3).

G1-1	Impugnatura di comando	G1-2	Leva a rilascio rapido
------	------------------------	------	------------------------

### Regolazione della lunghezza del tubo con impugnatura di comando (Fig. H1, H2)

- Aprire la leva a rilascio rapido (Fig. H1).
- Portare il tubo di soffiaggio in una posizione confortevole entro l'area di regolazione (Fig. H2).
- Chiudere la leva a rilascio rapido per bloccare il tubo in posizione (Fig. H2).

H1-1	Leva a rilascio rapido	H2-1	Tubo di soffiaggio
H2-2	Area di regolazione		

### AVVIO/ARRESTO DEL SOFFIATORE

**NOTA:** il soffiatore potrebbe non avviarsi correttamente se la temperatura della batteria o del soffiatore è inferiore a -15°C. In tal caso, rimuovere il gruppo batteria dal soffiatore e lasciare che il gruppo batteria e il soffiatore si riscaldino in un luogo in interni per almeno 10 minuti. Reinstallare il gruppo batteria e riprovare.

### Interruttore a velocità variabile (Fig. I1, I2)

- Premere l'interruttore a velocità variabile per avviare il soffiatore; l'indicatore del livello di carica, l'icona della batteria e l'indicatore della velocità dell'aria si illumineranno sul display.

**NOTA:** quando la batteria è quasi scarica, sul display lampeggerà 1 segmento dell'indicatore del livello di carica.

- La velocità dell'aria del soffiatore è controllata dall'interruttore a velocità variabile. Una maggiore pressione sull'interruttore aumenta la velocità dell'aria; una pressione minore riduce la velocità dell'aria. Regolare la velocità in base al lavoro da svolgere. Gli indicatori della velocità dell'aria si illumineranno sul display.
- Rilasciare l'interruttore a velocità variabile per arrestare il soffiatore. Il display si spegnerà dopo un certo periodo dall'arresto del soffiatore.

**NOTA:** se il gruppo batteria è da 4 Ah, la velocità dell'aria è limitata a due indicatori.

### Modalità Turbo

Tenendo premuto l'interruttore a velocità variabile, premere il pulsante della modalità Turbo per aumentare la velocità dell'aria al livello massimo (Fig. I1). L'icona della modalità Turbo e l'icona della ventola si illumineranno sul display (Fig. I3).

**NOTA:** al rilascio del pulsante della modalità Turbo, il soffiatore ritornerà alla velocità precedente.

### Bloccaggio della velocità dell'aria

Il pulsante di bloccaggio della velocità permette di usare il soffiatore senza dover tenere premuto l'interruttore a velocità variabile.

1. Premere l'interruttore a velocità variabile fino a raggiungere la velocità desiderata (Fig. I1).
2. Premere il pulsante di bloccaggio della velocità. L'icona del bloccaggio della velocità si illuminerà sul display (Fig. I4).
3. Quindi rilasciare l'interruttore a velocità variabile; il soffiatore continuerà a funzionare alla velocità impostata.

**NOTA:** quando la velocità dell'aria è bloccata, premendo il pulsante della modalità Turbo la velocità verrà mantenuta al livello massimo. Il soffiatore ritornerà alla velocità precedente premendo nuovamente il pulsante della modalità Turbo.

4. **Per sbloccare la velocità dell'aria**, premere nuovamente il pulsante di bloccaggio della velocità. L'icona del bloccaggio della velocità si spegnerà e il soffiatore si arresterà.

I1-1	Pulsante della modalità Turbo	I1-2	Pulsante di bloccaggio della velocità
I1-3	Interruttore a velocità variabile	I2-1	Indicatore di carica
I2-2	Indicatori della velocità dell'aria	I2-3	Icona della batteria
I3-1	Icona della ventola	I3-2	Icona della modalità Turbo
I4-1	Icona del bloccaggio della velocità		

### LUCE LED (Fig. J)

La luce LED è situata sulla parte anteriore dell'impugnatura di comando. Fornisce un'illuminazione aggiuntiva per aumentare la visibilità.

Premere una volta l'interruttore della luce per accendere la luce; premerlo nuovamente per spegnerla. La luce si spegnerà automaticamente dopo circa 5 secondi di inattività del soffiatore.

J-1	Interruttore della luce	J-2	Luce LED
-----	-------------------------	-----	----------

### TECNOLOGIA DI CONNESSIONE

Per maggiori informazioni sulla gamma completa dei prodotti e dei servizi connessi, comprese le istruzioni di connessione, scansionare il seguente codice QR o visitare il sito web

[www.egopowerplus.eu/connect](http://www.egopowerplus.eu/connect).



### SUGGERIMENTI PER L'USO DEL SOFFIATORE

- Per evitare di spargere i detriti, soffiare lungo i bordi esterni del cumulo di detriti. Non soffiare mai direttamente verso il centro del cumulo.
- Per ridurre la rumorosità, limitare il numero di apparecchi utilizzati contemporaneamente.
- Usare rastrelli e scope per smuovere i detriti prima di soffiarli. In aree di lavoro polverose, inumidire leggermente le superfici, se possibile.
- Fare attenzione all'eventuale presenza di bambini, animali, finestre aperte o automobili appena lavate e soffiare i detriti in direzione opposta.
- Pulire l'area di lavoro dopo aver usato soffiatori o altri apparecchi! Smaltire i detriti adeguatamente.

### MANUTENZIONE

**AVVERTENZA:** Per la riparazione, usare esclusivamente parti di ricambio identiche. L'uso di altri ricambi comporta situazioni pericolose o il rischio di danni al prodotto. Per garantire sicurezza e affidabilità, tutte le operazioni di riparazione e sostituzione devono essere effettuate da un tecnico qualificato.

**AVVERTENZA:** Per evitare il rischio lesioni gravi, rimuovere la batteria dal prodotto prima di sottoporlo a pulizia o manutenzione.

### MANUTENZIONE GENERALE

Evitare l'uso di solventi durante la pulizia delle parti in plastica. I solventi disponibili in commercio possono danneggiare la maggior parte dei componenti in plastica. Usare un panno pulito per rimuovere sporcizia, polvere, olio, grasso, ecc.

**AVVERTENZA:** Evitare che sostanze come liquidi per i freni, benzina, prodotti a base di petrolio, ecc. entrino a contatto con le parti in plastica. Le sostanze chimiche

possono danneggiare, indebolire o distruggere la plastica, con il rischio di lesioni gravi.

**⚠ AVVERTENZA:** Per ridurre il rischio di incendio, lesioni personali e danni al prodotto a causa di un corto circuito, non immergere l'apparecchio, il gruppo batteria o il caricabatteria in alcun liquido ed evitare l'infiltrazione di liquidi al loro interno. Liquidi corrosivi o conduttivi come l'acqua di mare, alcune sostanze chimiche industriali, candeggina e prodotti contenenti candeggina possono causare un corto circuito.

IT

## CONSERVAZIONE

- Rimuovere il gruppo o i gruppi batteria dal soffiatore.
- Rimuovere tutti i materiali estranei dalle aperture di ventilazione del soffiatore.
- Allacciare le fibbia per lo stoccaggio verticale per fissare il tubo di soffiaggio al vano batterie (Fig. K).
- Conservare il prodotto in un luogo inaccessibile ai bambini, e al riparo da agenti corrosivi, ad esempio sostanze chimiche per il giardinaggio e sale per disgelo.

K-1	Fibbia per lo stoccaggio verticale
-----	------------------------------------

## PROTEZIONE DELL'AMBIENTE



Non smaltire gli apparecchi elettrici, i caricabatteria e le batterie insieme ai rifiuti domestici! Portare il prodotto presso un centro di riciclaggio autorizzato affinché venga raccolto separatamente. Gli apparecchi elettrici devono essere portati presso un centro di riciclaggio ecocompatibile.

## RISOLUZIONE DEI PROBLEMI

PROBLEMA	CAUSA	SOLUZIONE
Il soffiatore non funziona.	<ul style="list-style-type: none"> <li>■ Il gruppo batteria non è installato sul soffiatore.</li> <li>■ Nessun contatto elettrico tra il soffiatore la batteria.</li> <li>■ Il gruppo batteria è scarico.</li> <li>■ Il gruppo batteria/il soffiatore è troppo caldo.</li> <li>■ Interruttore a velocità variabile danneggiato.</li> <li>■ Il gruppo batteria/soffiatore è troppo freddo.</li> </ul>	<ul style="list-style-type: none"> <li>■ Installare il gruppo batteria sul soffiatore.</li> <li>■ Rimuovere il gruppo batteria, ispezionare i contatti e reinstallare il gruppo batteria.</li> <li>■ Ricaricare il gruppo batteria.</li> <li>■ Attendere che la temperatura del gruppo batteria/soffiatore scenda al di sotto di 67°C.</li> <li>■ Contattare il servizio clienti EGO per la riparazione.</li> <li>■ Rimuovere il gruppo batteria e lasciare che il gruppo batteria e il soffiatore si riscaldino in un luogo in interni. Si raccomanda di ricaricare completamente il gruppo batteria e avviare il soffiatore a bassa velocità senza attivare la modalità Turbo.</li> </ul>
Premendo l'interruttore a velocità variabile, sul display si illuminano solo le due barre inferiori dell'indicatore della velocità dell'aria.	<ul style="list-style-type: none"> <li>■ Gruppo batteria di scarsa capacità.</li> </ul>	<ul style="list-style-type: none"> <li>■ Usare gruppi batteria da almeno 4,0 Ah.</li> </ul>
Non è possibile bloccare o sbloccare la velocità.	<ul style="list-style-type: none"> <li>■ Il pulsante di bloccaggio della velocità è danneggiato.</li> </ul>	<ul style="list-style-type: none"> <li>■ Contattare il servizio clienti EGO per la riparazione.</li> </ul>
La velocità dell'aria è significativamente ridotta.	<ul style="list-style-type: none"> <li>■ Il gruppo batteria è scarico.</li> <li>■ La ventola del motore è usurata.</li> <li>■ L'apertura di ingresso dell'aria è ostruita da detriti.</li> </ul>	<ul style="list-style-type: none"> <li>■ Ricaricare il gruppo batteria.</li> <li>■ Contattare il servizio clienti EGO per la riparazione.</li> <li>■ Rimuovere il gruppo batteria e rimuovere i detriti.</li> </ul>
Il display non funziona correttamente.	<ul style="list-style-type: none"> <li>■ Il display o i cavi di collegamento sono danneggiati.</li> </ul>	<ul style="list-style-type: none"> <li>■ Contattare il servizio clienti EGO per la riparazione.</li> </ul>
Sul display lampeggia 1 segmento dell'indicatore del livello di carica.	<ul style="list-style-type: none"> <li>■ Il gruppo batteria è scarico.</li> </ul>	<ul style="list-style-type: none"> <li>■ Ricaricare il gruppo batteria.</li> </ul>

IT

## GARANZIA

### CONDIZIONI DELLA GARANZIA EGO

Visitare il sito web [egopowerplus.eu](http://egopowerplus.eu) per consultare le condizioni complete della garanzia EGO.

## LEES ALLE INSTRUCTIES!



### LEES DE GEBRUIKSAANWIJZING

**⚠ WAARSCHUWING:** Laat alle reparaties uitvoeren door een vakbekwame reparateur om een continue veiligheid en betrouwbaarheid te waarborgen.

## VEILIGHEIDSSYMBOLEN

**NL**

Het doel van de veiligheidssymbolen is om u te wijzen op mogelijke gevaren. Besteed daarom voldoende aandacht hieraan en begrijp de veiligheidssymbolen en bijbehorende uitleg. De symboolwaarschuwingen op zich elimineren geen enkel gevaar. De verstrekte instructies en waarschuwingen gelden niet als vervanging voor gepaste voorzorgsmaatregelen tegen ongevallen.

**⚠ WAARSCHUWING:** Lees en begrijp alle veiligheidsinstructies die in deze gebruiksaanwijzing staan vermeld, waaronder alle veiligheidssymbolen zoals "GEVAAR", "WAARSCHUWING" en "OPGELET" voordat u deze machine in gebruik neemt. Het negeren van onderstaande instructies kan leiden tot een elektrische schok, brand en/of ernstig persoonlijk letsel.

## BETEKENIS VAN DE SYMBOLEN

**⚠ VEILIGHEIDS-WAARSCHUWINGSSYMBOL:** Duidt op **GEVAAR**, **WAARSCHUWING**, of **OPGELET**, kan worden gebruikt in combinatie met andere symbolen of pictogrammen.

## VEILIGHEIDSSYMBOLEN

Deze pagina toont en beschrijft alle veiligheidssymbolen die zich op dit product kunnen bevinden. Lees, begrijp en volg alle instructies op de machine voordat u deze in elkaar steekt en gebruikt.



Veiligheidswaarschuwing



De gebruiker moet de gebruiksaanwijzing lezen om het risico op letsel te beperken.



Draag altijd gehoorbescherming wanneer u dit product gebruikt.



Draag altijd een veiligheidsbril (met zijschermen) en een gelaatsscherm als u dit product gebruikt.



Houd alle omstanders minstens 15 meter uit de buurt.



Gewaarborgd geluidsvermogensniveau. Geluidsemisatie voor de omgeving in overeenstemming met de richtlijnen van de Europese Unie.



Gooi elektrisch afval niet via het huishoudelijk afval weg. Breng het naar een geautoriseerd recyclingbedrijf.



Dit product is in overeenstemming met de EG-richtlijnen.



Gelijkstroom



GB conformiteit beoordeeld



Kijk niet in de lamp.



Bluetooth®-symbool

IPX5

Bescherming tegen waterstralen

kg

Kilogram

V

Spanning

m³/h

Kubieke meter per uur

°C Celsius  
N Newton

m/s Meter per seconde

## SPECIFICATIES

Spanning	56 V
Maximaal luchtvolume	1870 m <sup>3</sup> /u
Maximale lichtsnelheid	85 m/s
Maximale blaaskracht	36 N
Bluetooth bedrijfsfrequentieband	2400-2438 MHz
Bluetooth maximaal zendvermogen	5 dBm
Gewicht (zonder accupack)	9,6 kg
Aanbevolen bedrijfstemperatuur	-15°C - 40°C
Aanbevolen opbergtemperatuur	-20°C - 70°C
Gemeten geluidsvermogensniveau L <sub>WA</sub>	96 dB(A) K=1,4 dB(A)
Geluidsdrukniveau bij het oor van de gebruiker L <sub>PA</sub>	83 dB(A) K=3 dB(A)
Gegarandeerd geluidsniveau L <sub>WA</sub> (gemeten volgens 2000/14/EG)	98 dB(A)
Trilling a <sub>n</sub>	0,25 m/s <sup>2</sup> K=1,5 m/s <sup>2</sup>

- De opgegeven totale vibratiewaarde is gemeten volgens de standaard testmethode en kan worden gebruikt om het apparaat met een ander apparaat te vergelijken;
- De opgegeven totale vibratiewaarde kan tevens worden gebruikt in een voorafgaande beoordeling op blootstelling.

**OPMERKING:** De trillingsemissie tijdens het werkelijk gebruik van het elektrisch gereedschap kan verschillen van de opgegeven totale waarde; Om de gebruiker te beschermen dient de gebruiker tijdens het gebruik handschoenen en gehoorbescherming te dragen.

## INHOUD VAN DE VERPAKKING (AFB. A1)

### BESCHRIJVING

#### KEN UW BLAZER (afb. A1)

1. Instelbaar ondersteunend harnas
2. Opstaande opberggesp
3. Rugzakplaat
4. Bedienhandgreep
5. Conisch mondstuk
6. Blaasbuis
7. Buiskleem
8. Bedienhandgreep buis
9. Bedienhandgreep klem
10. Balgklem
11. Balg
12. Luchtinlaat
13. Ondersteunende handgreep
14. Elektrische contacten
15. Vergrendeling
16. Accu-ontgrendelingsknoppen
17. Handgreep
18. Luchtsnelheidsregelaar
19. Snelheidsvergrendelingsknop
20. LED-lampje
21. LCD-scherm
22. Led-lichtknop
23. Turboknop
24. Ontgrendelingshendels
25. Bluetooth-indicator
26. Vermogensmeter
27. Ventilatorpictogram
28. Turbo-indicator
29. Luchtsnelheidsindicator
30. Snelheidsvergrendelingspictogram
31. Accupictogram

NL

## MONTAGE

**⚠ WAARSCHUWING:** Als er onderdelen beschadigd zijn of ontbreken, gebruik dit product niet totdat alle onderdelen vervangen of aanwezig zijn. Dit product gebruiken met beschadigde of ontbrekende onderdelen kan ernstig persoonlijk letsel veroorzaken.

**⚠ WAARSCHUWING:** Probeer niet om dit product aan te passen of accessoires te maken die niet voor gebruik met deze bladblazer zijn aanbevolen. Een dergelijke aanpassing of wijziging is misbruik en kan leiden tot gevaar en een ernstig persoonlijk letsel.

**⚠ WAARSCHUWING:** Om het toevallig starten van het apparaat, dat ernstig persoonlijk letsel kan veroorzaken, te voorkomen, verwijder altijd de accu's uit het gereedschap voordat u onderdelen monteert.

### DE BLAASBUIZEN MONTEREN

#### De bedienhandgreep buis op de balg aansluiten

1. Voor een eenvoudige montage, plaats de blazer met het draagharnas naar boven zoals weergegeven in afb. B1.
2. Draai de twee schroeven aan één kant van de balgklem los en verwijder ze. Open de balgklem gedeeltelijk en zorg ervoor dat het lipje aan de rand van de balg volledig in de gleuf in de klem zit (afb. B2).
3. Steek het achtereinde van de bedienhandgreep buis in de balg totdat het achterste eindoppervlak contact maakt met het klemoppervlak van de balg (afb. B3).
4. De balgklem kan volledig worden gesloten wanneer de bedienhandgreep buis correct op de balg is aangesloten. Draai de schroeven van de balgklem stevig vast (afb. B4).

B1-1	Draagharnas	B1-2	Balg
B2-1	Schroeven	B2-2	Sleuf
B2-3	Klemcontact	B2-4	Balgklem
B3-1	Bedienhandgreep buis	B3-2	Achterste eind
B3-3	Achterste eindoppervlak	B3-4	Balgklem eindoppervlak

#### Aansluiting van de blaasbuis op de bedienhandgreep buis

1. Draai de snelle ontgrendelingshendel in de

vleugelmoer los en verwijder deze van de buisklem die op de blaasbuis is bevestigd (afb. C1).

2. Breng de groef in de blaasbuis op één lijn met de ribbel op de bedienhandgreep buis, schuif de blaasbuis over de bedienhandgreep buis tot aan de aanslag (afb. C2).
3. Steek de pen van de snelle ontgrendelingshendel in en sluit de hendel op de buisklem (afb. C3).
4. Draai de vleugelmoer aan om de buisklem vast te zetten (afb. C4).

C1-1	Blaasbuis	C1-2	Buisklem
C1-3	Snelle ontgrendelingshendel	C1-4	Vleugelmoer
C2-1	Groef van blaasbuis	C2-2	Rib van bedienhandgreep buis

#### Aansluiting van het conische mondstuk op de blaasbuis

1. Lijn de groef in het mondstuk uit met de vergrendeling op de buis. Duw het mondstuk over de buis totdat het stevig vastklikt (afb. D1).
2. **Om het mondstuk te verwijderen**, druk op de ontgrendelingsknop voor het mondstuk en houd deze ingedrukt om de vergrendeling te ontkoppelen. Trek het mondstuk vervolgens recht van de blaasbuis af (afb. D2).

D1-1	Mondstuk-vrijgaveknop	D1-2	Vergrendeling
------	-----------------------	------	---------------

## WERKING

**⚠ WAARSCHUWING:** Vertrouwdheid kan leiden tot onvoorzichtigheid. Opgelet, één seconde van onoplettendheid kan ernstig letsel teweegbrengen.

**⚠ WAARSCHUWING:** Gebruik geen opzetstukken of toebehoren die niet door de fabrikant van dit product zijn aanbevolen. Het gebruik van niet aanbevolen opzetstukken of toebehoren kan leiden tot ernstig persoonlijk letsel.

**⚠ WAARSCHUWING:** Verwijder altijd de accu's uit het product wanneer u onderdelen monteert, aanpassingen uitvoert, het product reinigt of wanneer niet in gebruik. Het verwijderen van het accu's voorkomt een toevallige inschakeling dat ernstig persoonlijk letsel kan veroorzaken.



Voor elk gebruik dient u het complete product op beschadigingen, missende of los zittende onderdelen zoals schroeven, moeren, bouten, doppen etc. te controleren. Draai alle bevestigingen en doppen goed vast en gebruik dit product niet totdat alle missende of beschadigde onderdelen zijn vervangen.

### TOEPASSING

U kunt dit product gebruiken voor onderstaand vermelde doeleinden:

- Het verwijderen van bladeren en tuinafval van gazons en mulchbedden.
- Het reinigen van harde oppervlakken zoals opritten en paden.
- Houd terrassen en opritten vrij van bladeren en dennennaalden.

**OPMERKING:** Het gereedschap mag alleen voor het voorheen genoemde doeleinde worden gebruikt. Ieder ander gebruik is in dit geval misbruik.

### HET ACCUPACK INSTALLEREN/VERWIJDEREN

Gebruik het gereedschap alleen met de in afb. A2 vermelde accupacks en opladers van EGO.

Raadpleeg de handleidingen van de bijbehorende accupacks en opladers voor meer informatie.

### Voor ingebruikname volledig opladen.

**OPMERKING:** Voor de beste prestaties adviseren wij het gebruik van het EGO 56V-accupack BA3360T (6,0 Ah) of andere EGO 56V-accupacks met een hoger Ah-vermogen.

De bladblazer heeft twee actieve accuporten aan de linker- en rechterzijde van de accuhouder.

**OPMERKING:** De bladblazer werkt op een of twee accu's. Het gebruik van twee accu's geeft u een langere werkingstijd en een efficiënt stroomverbruik dat wordt beheerd door PEAK POWER™-technologie.

Wanneer de accupacks in de overeenkomstige accuporten worden gestoken die zijn gemarkeerd met 1 of 2 op de rugzakplaat en de bladblazer is ingeschakeld, gaat het bijbehorende accupictogram op het LCD-scherm branden (afb. E1).

### Bevestigen (afb. E2)

Breng de ribbels van het accupack op één lijn met de montagesleuven en druk het accupack naar beneden totdat u "klik" hoort. Plaats het ander accupack.

### Verwijderen

Druk de accu-ontgrendelingsknop naar beneden en trek het accupack eruit.

**⚠ WAARSCHUWING:** Houd altijd rekening met de positie van uw voeten, kinderen of huisdieren die zich in de buurt bevinden in het oog wanneer u op de accu-ontgrendelingsknop drukt. Ernstig letsel kan zich voordoen wanneer de accu valt. Verwijder de accu NOOIT wanneer u zich op een hoge positie bevindt.

E1-1	Aantal accuporten	E1-2	LCD-scherm
E1-3	Accupictogram	E2-1	Ribbels van de accu
E2-2	Montagesleuf	E2-3	Accuvrijgaveknop

NL

### POSITIONEREN VAN DE RUGZAK BLADBLAZER

**⚠ WAARSCHUWING:** Draag gepaste kleding om het risico op letsel tijdens gebruik van deze machine te beperken. Draag geen los hangende kleding of sieraden. Draag oog- en oor/gehoorbescherming. Draag een stevige lange broek, laarzen en handschoenen. Draag geen korte broek, sandalen of ga niet blootsvoets.

Voordat u de rugzak bladblazer gebruikt, zorg ervoor dat de bediener oogbescherming en geschikte kleding draagt en een veilige en stabiele houding kan behouden.

### Het draagharnas instellen

1. Trek aan de twee banden van de rugzakplaat om er zeker van te zijn dat het harnas stevig aan de rugzakplaat vastzit (Afb. F1).
2. Pas indien nodig de rugkussens en lendenkussens aan voor uw comfort.

- Maak de schouderbanden los, trek de rugkussens van het klittenband af en verplaats de kussens naar de gewenste positie. Trek vervolgens aan de schouderbanden om de kussens op uw rugzak vast te zetten (afb. F2).

**OPMERKING:** Dankzij de horizontale lijnen op de rugkussens kunt u beide kussens op hetzelfde niveau afstellen.

- Trek het lendenkussen van het klittenband af en verplaats het kussen naar de gewenste positie (afb. F3).
3. Steek uw armen door het harnas om de bladblazer op uw rug te laten ondersteunen. Pas de borstbanden tijdelijk aan tot ze comfortabel zitten. Zorg er daarbij voor dat de elleboog van uw rechterarm comfortabel zit wanneer u de bedieningshendel vasthoudt (afb. F4).
  4. Klik de heupgesp vast en pas de lengte van de heupband zo aan dat het harnas stevig door uw heupen wordt ondersteund. Als de heupgesp moeilijk

vast te klikken is, kunt u de twee zijbanden aan weerskanten aanpassen zodat het makkelijker wordt (afb. F5).

**OPMERKING:** De rugzak mag niet te hoog op uw rug zitten. Deze dient dicht bij de heupen dan bij de schouders te zitten.

**⚠ WAARSCHUWING:** Wanneer er een noodgeval optreedt, maak de heupgesp onmiddellijk los om het harnas af te nemen. Dit is een snelle vrijgavemethode.

NL

- Pas de borstbanden aan voor meer veiligheid en comfort. Zorg ervoor dat de rugzak veilig op uw rug zit, waarbij het gewicht wordt ondersteund door de heupriem en zonder te veel te bewegen wanneer u beweegt (afb. F6).
- Steek eventuele extra lengte van de banden in het elastiek (afb. F7).
- Er zijn meerdere lichtreflecterende strips voor een veilige bediening. Zorg ervoor dat de lichtreflecterende strips tijdens gebruik niet worden afgedekt (afb. F8).
- Om het harnas van uw rug los te maken**, druk op de heupgesp om het harnas los te maken en laat de blazer zakken (afb. F9).

F1-1	Banden	F1-2	Rugzakplaat
F2-1	Schouderbanden	F2-2	Horizontale lijnen
F3-1	Lendenkussen	F4-1	Borstbanden
F5-1	Heupbanden	F5-2	Heupgesp
F5-3	Zijbanden	F7-1	Elastiek
F7-2	Extra bandlengte	F8-1	Lichtreflecterende strips

### Aanpassen van de bedienhandgreep

- Laat de snelle ontgrendelingshendel los om de bedienhandgreep naar voren of naar achteren te bewegen (afb. G1 & G2) en vergrendel vervolgens de snelle ontgrendelingshendel om de bedienhandgreep vast te zetten.
- U kunt de handgreep indien gewenst voor uw comfort ook draaien (afb. G3).

G1-1	Bedienhandgreep	G1-2	Snelle ontgrendelingshendel
------	-----------------	------	-----------------------------

### Instellen van de lengte van de bedienhandgreep buis (afb. H1, H2)

- Laat de snelle ontgrendelingshendel los (afb. H1).
- Breng de blaasbuis naar een comfortabele werkpositie binnen de instelzone (afb. H2).
- Zet de snelle ontgrendelingshendel vast om de blaasbuis op zijn plaats te houden (afb. H2).

H1-1	Snelle ontgrendelingshendel	H2-1	Blaasbuis
H2-2	Instelzone		

### DE BLADBLAZER STARTEN/STOPPEN

**OPMERKING:** Het is mogelijk dat de bladblazer niet goed start als de temperatuur van het accupack of de bladblazer -15°C of lager is. Verwijder in dat geval het accupack uit de bladblazer en laat het accupack en de bladblazer 10 minuten of langer binnenshuis opwarmen. Breng het accupack weer aan en probeer het opnieuw.

### Luchtsnelheidsregelaar (afb. I1, I2)

- Druk de luchtsnelheidsregelaar in om de bladblazer in te schakelen, waarna het LCD-scherm de brandstofmeter, het accupictogram en de luchtsnelheidsindicator weergeeft.

**OPMERKING:** 1 LED van de brandstofmeter op het LCD-scherm knippert wanneer het accuvermogen laag is.

- De luchtsnelheid van de bladblazer wordt bepaald met behulp van de variabele snelheidsregelaar. Meer druk op de regelaar resulteert in hogere blaassnelheden; minder druk op de regelaar resulteert in lagere blaassnelheden. Pas de snelheid aan de hand van de taak aan. De overeenkomstige luchtsnelheidsindicator wordt op het LCD-scherm weergegeven.
- Laat de luchtsnelheidsregelaar los om de blazer uit te schakelen. Het LCD-scherm wordt binnen een bepaalde tijd uitgeschakeld nadat de regelaar wordt losgelaten.

**OPMERKING:** Als een accupack met een capaciteit van minder dan 4 Ah wordt gebruikt, wordt de luchtsnelheid beperkt tot slechts twee balken.

### Turbomodus

Terwijl de luchtsnelheidsregelaar wordt ingedrukt en vastgehouden, drukt u op de turboknop om de luchtstroom tot de maximale snelheid te verhogen (afb. I1). De turbo-indicator en het ventilatorpictogram zijn beiden op het LCD-scherm opgelicht (afb. I3).

**OPMERKING:** De blazer keert terug naar de vorige snelheid wanneer de turboknop wordt losgelaten.

### Snelheidsvergrendelingsmodus

De snelheidsvergrendeling kan worden gebruikt om de bladblazer te bedienen zonder continu op de luchtsnelheidsregelaar te drukken.

1. Druk de luchtsnelheidsregelaar in totdat u de gewenste snelheid hebt bereikt (afb. I1).
2. Druk op de snelheidsvergrendelingsknop. Het snelheidsvergrendeling-pictogram brandt op het LCD-scherm (afb. I4).
3. Laat de luchtsnelheidsregelaar vervolgens los en de bladblazer blijft op de 'gewenste' snelheid werken.

**OPMERKING:** Als u tijdens de snelheidsvergrendelingsmodus op de turboknop drukt, wordt de luchtsnelheid op het maximum niveau vastgezet. De blazer werkt opnieuw op de vorige snelheid wanneer u nogmaals op de turboknop drukt.

4. **Om de snelheidsvergrendeling te ontgrendelen,** druk nogmaals op de snelheidsvergrendelingsknop. Het snelheidsvergrendelingspictogram verdwijnt van het LCD-scherm en de blazer wordt uitgeschakeld.

I1-1	Turboknop	I1-2	Snelheidsvergrendelingsknop
I1-3	Luchtsnelheidsregelaar	I2-1	Vermogensmeter
I2-2	Luchtsnelheidsindicator	I2-3	Accupictogram
I3-1	Ventilatorpictogram	I3-2	Turbo-indicator
I4-1	Snelheidsvergrendelingspictogram		

### LED-LAMP (afb. J)

De LED-lamp bevindt zich aan de voorkant van de bedieningshendel. Deze biedt verlichting voor een betere zichtbaarheid.

Druk eenmaal op de LED-lichtknop om de lamp aan te zetten, druk er nogmaals op om de lamp uit te zetten. De lamp wordt tevens uitgezet na een inactiviteit van ongeveer 5 minuten.

J-1	Led-lichtknop	J-2	LED-lampje
-----	---------------	-----	------------

### COMMUNICATIETECHNOLOGIE

Voor informatie over ons volledig assortiment van verbonden producten en diensten, waaronder de verbindingsinstructies, scan de QR-code hieronder of

ga naar

[www.egopowerplus.eu/connect](http://www.egopowerplus.eu/connect).



### TIPS VOOR HET GEBRUIK VAN DE BLADBLAZER

- Om het verspreiden van vuil te voorkomen, blaas rond de buitenrand van de vuilstapel. Blaas nooit direct in het midden van de stapel.
- Om het geluidsniveau te houden, beperk het aantal apparaten dat tegelijkertijd wordt gebruikt.
- Gebruik een hark of bezem om het afval los te maken voordat u het wegblaast. In een stoffige omgeving, maak het oppervlak lichtjes nat als geval water aanwezig is.
- Let op voor kinderen, huisdieren, open vensters of pas gewassen auto's. Blaas het vuil op een veilige manier weg.
- Na gebruik van een accublazer of ander apparaat, ruim het vuil op! Gooi het vuil op een correcte manier weg.

NL

### ONDERHOUD

**⚠ WAARSCHUWING:** Gebruik voor reparaties uitsluitend identieke reserve-onderdelen. Het gebruik van andere onderdelen kan gevaar opleveren of schade aan het product veroorzaken. Laat alle reparaties uitvoeren door een vakbekwame reparateur om een continue veiligheid en betrouwbaarheid te waarborgen.

**⚠ WAARSCHUWING:** Om ernstig persoonlijk letsel te voorkomen, dient u de accu voor de reiniging of het onderhoud altijd uit het product te verwijderen.

### ALGEMEEN ONDERHOUD

Maak de kunststof onderdelen niet schoon met oplosmiddelen. De meeste kunststoffen kunnen worden beschadigd wanneer ze in contact komen met commerciële oplosmiddelen. Gebruik een schone doek voor het verwijderen van vuil, stof, olie, vet, etc.

**⚠ WAARSCHUWING:** Zorg dat remvloeistof, benzine, producten op basis van aardolie, oliën, etc. op geen enkel moment met de kunststof onderdelen in aanraking komen. Chemicaliën kunnen de kunststof onderdelen beschadigen en ernstig persoonlijk letsel veroorzaken.

**⚠ WAARSCHUWING:** Om het risico op brand, persoonlijk letsel en schade aan het product door kortsluiting te beperken, dompel uw machine, het accupack of lader nooit in een vloeistof en zorg dat er geen vloeistof binnendringt. Bijtende of geleidende vloeistoffen, zoals zeewater, bepaalde industriële chemicaliën, bleekmiddel of producten die bleekmiddel bevatten, etc. kunnen kortsluiting veroorzaken.

## OPSLAG

NL

- Haal het/de accupack(s) uit de blazer.
- Verwijder alle vreemde materialen uit de luchtinlaten van de accublazer.
- Klik de opstaande opberggesp vast om de blaasbuis aan de accuhouder vast te haken (afb. K).
- Berg binnenshuis op in een ruimte die voor kinderen ontoegankelijk is. Houd uit de buurt van corrosieve middelen, zoals tuinchemicaliën en strooizout.

K-1	Opstaande opberggesp
-----	----------------------

## HET MILIEU BESCHERMEN



Gooi geen elektrische apparatuur, gebruikte accu's en laders weg via het huishoudelijk afval! Geef dit product af bij een geautoriseerd recyclingbedrijf en zorg dat het apart kan worden ingezameld.

Elektrisch gereedschap moet naar een gepast inzamelpunt worden gebracht voor een milieuvriendelijke recycling.

## PROBLEEMOPLOSSING

PROBLEEM	OORZAAK	OPLOSSING
De bladblazer werkt niet.	<ul style="list-style-type: none"> <li>■ Het accupack is niet op de blazer aangesloten.</li> <li>■ Er is geen elektrisch contact tussen de blazer en de accu.</li> <li>■ Het accupack is leeg.</li> <li>■ Het accupack of blazer is te warm.</li> <li>■ Beschadigde luchtsnelheidsregelaar.</li> <li>■ Het accupack of blazer is te koud.</li> </ul>	<ul style="list-style-type: none"> <li>■ Sluit het accupack op de accublazer aan.</li> <li>■ Verwijder de accu, controleer de contacten en bevestig het accupack weer.</li> <li>■ Laad het accupack op.</li> <li>■ Koel het accupack en de blazer af totdat de temperatuur lager dan 67°C is.</li> <li>■ Neem contact op met de klantenservice van EGO in geval van reparaties.</li> <li>■ Verwijder het accupack en laat het accupack en de bladblazer binnenshuis opwarmen. Het wordt aanbevolen om het accupack volledig op te laden en de bladblazer op lage snelheid te starten, zonder de turbomodus te activeren.</li> </ul>
Wanneer de luchtsnelheidsregelaar wordt ingedrukt, worden alleen de twee onderste luchtsnelheids pictogrammen op het LCD-scherm weergegeven.	<ul style="list-style-type: none"> <li>■ Accupakket met een lage capaciteit gebruikt.</li> </ul>	<ul style="list-style-type: none"> <li>■ Gebruik accu's van 4,0 Ah of hoger..</li> </ul>
De snelheidsvergrendelingsmodus kan niet worden in- of uitgeschakeld.	<ul style="list-style-type: none"> <li>■ Snelheidsvergrendelingsknop is beschadigd.</li> </ul>	<ul style="list-style-type: none"> <li>■ Neem contact op met de klantenservice van EGO in geval van reparaties.</li> </ul>
De luchtsnelheid neemt merkbaar af.	<ul style="list-style-type: none"> <li>■ De accu is bijna leeg.</li> <li>■ Overmatige slijtage van de motorventilator.</li> <li>■ De luchtinlaat is verstopt door vuil.</li> </ul>	<ul style="list-style-type: none"> <li>■ Laad het accupack op.</li> <li>■ Neem contact op met de EGO-service voor reparatie.</li> <li>■ Haal het accupack uit en verwijder vervolgens het vuil.</li> </ul>
LCD-scherm werkt niet goed.	<ul style="list-style-type: none"> <li>■ LCD-scherm of draadverbinding zijn beschadigd.</li> </ul>	<ul style="list-style-type: none"> <li>■ Neem contact op met de EGO-service voor reparatie.</li> </ul>
1 LED van de brandstofmeter op het LCD-scherm knippert.	<ul style="list-style-type: none"> <li>■ De accu is bijna leeg.</li> </ul>	<ul style="list-style-type: none"> <li>■ Laad het accupack op.</li> </ul>

NL

## GARANTIE

### EGO-GARANTIEBELEID

Ga naar de website [egopowerplus.eu](http://egopowerplus.eu) voor de volledige algemene voorwaarden van het EGO-garantiebeleid.

## LÆS ALLE VEJLEDNINGERNE!



### LÆS BRUGSVEJLEDNINGEN

**⚠ ADVARSEL:** For at sikre sikkerhed og pålidelighed, bør alle reparationer udføres af en kvalificeret servicetekniker.

## SIKKERHEDSSYMBOLER

Formålet med sikkerheds- symboler er at tiltrække din opmærksomhed på mulige farer. Du skal være meget opmærksom på sikkerhedssymbolerne og forklaringerne til dem og lære at forstå dem. Symbolernes advarsler fjerner ikke i sig selv eventuelle farer. De anvisninger og advarsler, de giver ingen erstatninger for ordentlig forebyggelse af ulykker foranstaltninger.

**⚠ ADVARSEL:** Sørg for at læse og forstå alle sikkerhedsanvisninger i denne brugsanvisning, herunder alle sikkerhedssymboler, såsom "FARE", "ADVARSEL" og "FORSIGTIG", før du bruger denne maskine. Hvis anvisningerne nedenfor ikke følges, kan det føre til elektrisk stød, brand og/eller alvorlig personskade.

## SYMBOLERNES BETYDNING

**⚠ ADVARSELSSYMBOL:** Indikerer FARE, ADVARSEL eller FORSIGTIG, kan bruges sammen med andre symboler eller billeder.

## SIKKERHEDSANVISNINGER

Denne side viser og beskriver sikkerhedssymboler, der kan være på dette produkt. Læs, forstå og følg alle anvisninger på maskinen, før du forsøger at samle og betjene.



Sikkerhedsadvarsel



For at mindske risikoen for skader skal brugeren læse brugsanvisningen.



Bær altid høreværn ved betjening af dette produkt.



Bær altid beskyttelsesbriller eller sikkerhedsbriller med side skjolde og en fuld ansigtsskærm, når du betjener dette produkt.



Hold alle omkringstående mindst 15m væk.



Garanteret lydniveau. Støjemission til miljøet opfylder EF-direktivet.



Elektriske affaldsprodukter må ikke bortskaffes sammen med husholdningsaffald. Tag det til en godkendt genbrugsplads.



Dette produkt er i overensstemmelse med gældende EU-direktiver.



Jævnstrøm (DC)



Overensstemmelse i Storbritannien



Undgå, at kikke ind i betjeningslampen.



Bluetooth®-symbol

IPX5

Beskyttelse mod vandstråler

kg

Kg

V

Spænding

m<sup>3</sup>/h

Kubikmeter pr. time

°C Celsius

m/s Meter per sekund

N Newton

## SPECIFIKATIONER

Spænding	56 V
Maksimal luftmængde	1870 m <sup>3</sup> /t
Maksimal lufthastighed	85 m/s
Maksimal blæsekraft	36 N
Bluetooth-frekvensbånd	2400-2438 MHz
Bluetooth maksimal transmissionseffekt	5 dBm
Vægt (uden batteri)	9,6 kg
Anbefalet driftstemperatur	-15°C - 40°C
Anbefalet opbevaringstemperatur	-20°C - 70°C
Målt lydeffektniveau L <sub>WA</sub>	96 dB(A) K=1,4 dB(A)
Lydtryk ved brugerens øre L <sub>PA</sub>	83 dB(A) K=3 dB(A)
Garanteret lydeffektniveau L <sub>WA</sub> (målt i henhold til 2000/14 / EF)	98 dB(A)
Vibration a <sub>h</sub>	0,25 m/s <sup>2</sup> K=1,5 m/s <sup>2</sup>

- Den samlede erklærede vibrationsværdi er målt i overensstemmelse med en standard testmetode, og den kan bruges til at sammenligne et værktøj med et andet;
- Den samlede angivne vibrationsværdi kan også bruges ved en foreløbig vurdering af eksponeringen.

**BEMÆRK:** Vibrationsemissionen ved faktisk brug af elværktøjet kan afvige fra den angivne værdi, hvor værktøjet bruges. For at beskytte brugeren, skal brugeren bruge handsker og høreværn i de faktiske brugsforhold.

## LISTE OVER DELE (FIG. A1)

### BESKRIVELSE

#### KEND DIN LØVBLÆSER (fig. A1)

1. Justerbar bæresele
2. Spænde til opretstående opbevaring
3. Rygsæk-plade
4. Betjeningsgreb
5. Spids mundstykke
6. Blæserrør
7. Rørklemme
8. Betjeningsgreb-rør
9. Klemme til betjeningsgreb
10. Bælgklemme
11. Bælge
12. Luftindtag
13. Forreste støttehåndtag
14. Elektriske kontakter
15. Lås
16. Batteriudløserknapper
17. Håndtag
18. Lufthastighedsknap
19. Låseknap til hastigheden
20. LED-lys
21. LCD-skærm
22. Knap til LED-lyset
23. Turbo-knap
24. Udløserhåndtag
25. Bluetooth-indikator
26. Energimåler
27. Ventilator-ikon
28. TURBO-indikator
29. Lufthastighedsindikator
30. Ikon til hastighedslås
31. Batteri-ikon

DK

## SAMLING

**⚠ ADVARSEL:** Hvis der er dele, der er beskadigede eller mangler, anvendes apparatet ikke, før delene er udskiftet. Brug af dette produkt med beskadigede eller manglende dele kan medføre alvorlig personskade.

**⚠ ADVARSEL:** Forsøg ikke at ændre dette produkt eller fremstille tilbehør, der ikke anbefales til brug med denne løvblæser. Enhver sådan ændring eller modifikation er misbrug og kan resultere i en farlig situation og føre til eventuel alvorlig personskade.

DK

**⚠ ADVARSEL:** For at forhindre, at apparatet startes ved et uheld, skal batteripakkerne altid tages ud, når delene sættes på.

## MONTERING AF BLÆSERRØRET

### Montering af betjeningsgreb-røret på bælgene

1. Produktet samles nemmest ved at placere blæseren med bæreselen opad, som vist i fig. B1.
2. Løs de to skruer på den ene side af bælgklemmen, tag dem ud, åbn bælgklemmen en smule, men sørg for, at tappen på bælgens kant sidder helt i åbningen i klemmen (fig. B2).
3. Sæt bagende af betjeningsgreb-røret ind i bælg, indtil overfladen på bagenden rører bælgklemmens endeflade (fig. B3).
4. Bælgklemmen kan lukkes helt, når betjeningsgreb-røret er ordentligt forbundet med bælg. Spænd skruerne på bælgklemmen ordentligt fast (fig. B4).

B1-1	Bæresele	B1-2	Bælg
B2-1	Skruer	B2-2	Rille
B2-3	Tap	B2-4	Bælgklemme
B3-1	Betjeningsgreb-rør	B3-2	Bagende
B3-3	Overflade på bagenden	B3-4	Overflade på enden af bælgklemmen

### Montering af blæserrøret på betjeningsgreb-røret

1. Løs låsehåndtaget og fjern det og vingemøtrikken på rørklemmen, der sidder fast på blæserrøret (fig. C1).
2. Sørg for, at rillen på blæserrøret passer med hævnings på betjeningsgreb-røret. Tryk blæserrøret så langt som muligt på betjeningsgreb-røret (fig. C2).

3. Sæt stiften på låsehåndtaget, og luk håndtaget på rørklemmen (fig. C3).
4. Spænd vingemøtrikken for, at spænde rørklemmen på plads (fig. C4).

C1-1	Blæserrør	C1-2	Rørklemme
C1-3	Udløserhåndtag	C1-4	Vingemøtrik
C2-1	Rille i blæserrøret	C2-2	Hævning på betjeningsgreb-røret

### Montering af det tilspidsede mundstykke på blæserrøret

1. Sørg for, at rillen på mundstykket passer med låsen på røret. Tryk mundstykket på røret, indtil det sidder ordentligt fast (fig. D1).
2. **For at tage mundstykket af**, skal du holde udløserknappen til mundstykket nede for, at åbne låsen, og træk derefter mundstykket lige af blæserrøret (fig. D2).

D1-1	Udløserknop til mundstykke	D1-2	Lås
------	----------------------------	------	-----

## BETJENING

**⚠ ADVARSEL:** Lad ikke fortroilighed med dette produkt gøre dig skodesløs. Husk på, at det kan føre til alvorlige skader, hvis du ikke er opmærksom i blot et sekund.

**⚠ ADVARSEL:** Anvend ikke tilbehør eller påmonteringer, der ikke anbefales af fabrikanten af dette produkt. Brug af tilbehør eller påmonteringer, der ikke anbefales, kan forårsage alvorlig personskade.

**⚠ ADVARSEL:** Fjern altid batterierne fra produktet, når du monterer dele, foretager justeringer, ved rengøring, eller når det ikke bruges. Fjernelse af batteripakkerne vil forhindre utilsigtet start, der kan forårsage alvorlig personskade.

Før hver brug skal du undersøge hele produktet for skader, manglende eller løse dele, såsom skruer, møtrikker, bolte, hætter etc. Tilspænd omhyggeligt alle dele og hætter, og betjen ikke dette produkt, før alle manglende eller beskadigede dele er udskiftet.

### BRUG

Du kan bruge dette produkt til de formål, der er nævnt nedenfor:



- Rydning af blade og andet haveaffald på græsplæner og muldbede.
- Rydning af hårde overflader, såsom indkørsler og fortove.
- Holde terrasser og indkørsler fri for blade og fyrrenåle.

**BEMÆRK:** Værktøjet må kun bruges til dets tilsigtede formål. Enhver anden anvendelse anses for at være et tilfælde af misbrug.

### PÅSÆTNING / AFTAGNING BATTERIPAKKEN

Produktet må kun bruges med EGO's batteripakker og opladere, der er anført i fig A2.

Du kan finde flere oplysninger i de tilhørende batteripakker og opladervejledninger.

### Lad batteriet helt op inden første brug.

**BEMÆRK:** For at få det meste ud af produktet, anbefaler vi at bruge en EGO 56V-batteripakke BA3360T (6,0 Ah) eller andre EGO 56V-batteripakker med højere Ah-værdi.

Løvblæseren har to aktive batterirum på venstre og højre side af batterirummet.

**BEMÆRK:** Løvblæseren kan bruges med et eller to batterier. Hvis der bruges to batterier, forlænges driftstiden og produktet er mere energieffektivt med teknologien PEAK POWER™.

Når batteripakkerne sættes i batterirummene, der er markeret 1 eller 2 på bagpladen, og løvblæseren tændes, lyser batteriikonet på LCD-skærmen (fig. E1).

### Sådan sættes batteriet i (fig. E2)

Sæt batteriets riller mod monteringsrillerne. Tryk derefter batteriet ned, indtil du hører et »klik«. Sæt det andet batteri i.

### Fjernelse

Tryk på knappen til batteriudløseren, og træk batteripakken ud.

**⚠ ADVARSEL:** Vær altid opmærksom på dine fødders placering og på børn eller kæledyr omkring dig, når du trykker på udløserknappen til batteripakken. Der kan opstå alvorlig skade, hvis batteriet falder. Batteripakken på ALDRIG tages ud i en høj højde.

E1-1	Batterirum-nummer	E1-2	LCD-skærm
E1-3	Batteri-ikon	E2-1	Batteri-rille
E2-2	Monteringsrille	E2-3	Udløserknap til batteri

### PLACERING AF "RYGSÆK"-BLÆSER

**⚠ ADVARSEL:** Brug rigtig påklædning for at mindske risikoen for skader, når du betjener denne maskine. Undgå, at bære løstsiddende tøj eller smykker. Bær øjen- og øre- / høreværn. Bær kraftige, lange bukser, støvler og handsker. Gå ikke i korte bukser, sandaler eller på bare fødder.

Før du bruger rygsækblæseren, skal du tage øjenbeskyttelse og ordentligt tøj på, og sørg for at opretholde et sikkert og afbalanceret fodfæste.

### Justering af bæreselen

1. Træk i de to stropper på rygsækpladen, så du er sikker på at selen sidder ordentligt fast på rygsækpladen (fig. F1).
2. Juster rygpuderne og lændepuden, så de sidder behageligt, hvis nødvendigt.
  - Løsn skulderstropperne, træk rygpuderne af velcrobandet og sæt puderne det ønskede sted. Træk derefter i skulderstropperne, for at spænde puderne fast på rygsækken (fig. F2).

**BEMÆRK:** Brug de vandrette linjer på bagpuderne til at sætte puderne samme sted.

- Træk lændepuden af velcrobandet, og sæt puden det ønskede sted (fig. F3).
3. Stik armene gennem selen, så blæseren støttes på din ryg. Juster bryststropperne til en behagelig position, og sørg for, at albuen på højre arm er behagelig, når du holder i betjeningsgrebet (fig. F4).
  4. Klik på taljespændet, og juster længden på taljeremmen, så selen sidder ordentligt fast på din talje. Hvis taljespændet er svært at klikke på, skal du justere sidestroppen på hver side, så taljespændet er nemmere at klikke på (fig. F5).

**BEMÆRK:** "Rygsækken" må ikke sidde for højt oppe på ryggen. Den skal sidde tættere på hofterne end på skuldrene.

**⚠ ADVARSEL:** I tilfælde af nødsituation, skal du straks løsne taljespændet for at tage selen af. Dette er en hurtig måde at løsne løvblæseren på.

5. Juster bryststropperne, så rygsækblæseren sidder sikkert og behageligt. Sørg for, at selen sidder sikkert fast på ryggen, med vægten støttet af taljestroppen, og uden at sidde for løst, når du bevæger dig (fig. F6).
6. Stik resten af stropperne ind i elastikken (fig. F7).
7. Produktet er udstyret med lysreflekterende strimler, så det er mere sikkert at bruge. Undgå, at tildække

DK

de lysreflekterende strimler, når produktet bruges (fig. F8).

8. **For at løsne selen fra ryggen**, skal du blot trykke på taljespændet for at løsne det og sætte blæseren ned (fig. F9).

F1-1	Stropper	F1-2	Rygsæk-plade
F2-1	Skulderstropper	F2-2	Vandrette linjer
F3-1	Lændepude	F4-1	Bryststropper
F5-1	Taljestropper	F5-2	Taljespænde
F5-3	Sidestropper	F7-1	Elastik
F7-2	Ekstra del af stropperne	F8-1	Lysreflekterende striber

DK

### Justering af betjeningsgrebet

1. Løsn låsehåndtaget for, at flytte betjeningsgrebet frem og tilbage efter behov (fig. G1 og G2). Lås derefter låsehåndtaget for, at spænde betjeningsgrebet på plads.
2. Du kan også dreje grebet, så det sidder mere behageligt (fig. G3).

G1-1	Betjeningsgreb	G1-2	Udløserhåndtag
------	----------------	------	----------------

### Sådan justeres betjeningsgreb-rørets længde (Fig. H1, H2)

1. Slip udløserhåndtaget (fig. H1).
2. Sæt blæserrøret et behagelig sted inden for justeringsområdet (fig. H2).
3. Lås låsehåndtaget for, at spænde blæserrøret på plads (fig. H2).

H1-1	Udløserhåndtag	H2-1	Blæserrør
H2-2	Justeringsområde		

### SÅDAN STARTES/STOPPES LØVBLÆSEREN

**BEMÆRK:** Blæseren starter muligvis ikke ordentligt, hvis temperaturen på batteriet eller blæseren er -15 °C eller derunder. I dette tilfælde skal du tage batteripakken ud af blæseren, og lade batteripakken og blæseren varme op indendørs i mindst 10 minutter. Sæt batteripakken i igen, og prøv igen.

### Lufthastighedsknap (fig. I1, I2)

- Tryk på lufthastighedsknappen for at tænde løvblæseren, hvorefter brændstofmåleren, batteriikonet

og lufthastighedsindikatoren vises på LCD-skærmen.

**BEMÆRK:** En af indikatorerne på brændstofmåleren på LCD-skærmen blinker, når batteristrømmen er lav.

- Blæsersens luftstyrke styres med luftstyrkeknappen. Jo mere knappen trykkes ned, jo kraftigere bliver luftstyrken. Jo mindre knappen trykkes ned, jo svagere bliver luftstyrken. Juster hastigheden i henhold til opgaven. Den tilsvarende lufthastighedsindikator vises på LCD-skærmen.
- Slip lufthastighedsknappen, for at slukke blæseren. Når knappen slippes, slukker LCD-skærmen inden for en bestemt tid.

**BEMÆRK:** Hvis der bruges en batteripakke på under 4 Ah, begrænses lufthastigheden til to takter.

### Turbo-funktion

Hvis lufthastighedsknappen holdes nede, kan du trykke på turboknappen for at skrue helt op for luftstrømmen (fig. I1). Turbo-indikatoren og ventilatorikonet lyser på LCD-skærmen (fig. I3).

**BEMÆRK:** Når turbo-knappen slippes, går blæseren tilbage til forrige hastighed.

### Hastighedslås

Hastighedslåsen kan bruges til at bruge løvblæseren uden at holde lufthastighedsknappen nede.

1. Tryk på lufthastighedsknappen, indtil du når den ønskede hastighed (fig. I1).
2. Tryk på låseknappen til hastigheden. Hastighedslåseikonet lyser på LCD-skærmen (fig. I4).
3. Slip derefter lufthastighedsknappen, hvorefter løvblæseren fortsætter med at køre på den ønskede hastighed.

**BEMÆRK:** Hvis du trykker på turbo-knappen, når hastighedslåsen er slået til, kan lufthastigheden låses fast på den højeste hastighed. Hvis du trykker på turbo-knappen igen, går blæseren tilbage til forrige hastighed.

4. **For at slå hastighedslåsen fra**, skal du trykke på hastighedslåseknappen igen. Herefter forsvinder hastighedslåseikonet på LCD-skærmen, og blæseren slukker.

I1-1	Turbo-knap	I1-2	Låseknop til hastigheden
I1-3	Lufthastighedsknap	I2-1	Energimåler
I2-2	Lufthastighedsindikator	I2-3	Batteri-ikon

I3-1	Ventilator-ikon	I3-2	TURBO-indikator
I4-1	Ikon til hastighedslås		

### LED-LYS (Fig. J)

LED-lyset sidder foran på betjeningsgrebet. Det lyser, så du bedre kan se arbejdsområdet.

Tryk på LED-lysknappen for at tænde lyset. Tryk igen for at slukke lyset. Lyset slukker automatisk efter ca. 5 minutter uden brug af blæseren.

J-1	Knap til LED-lyset	J-2	LED-lys
-----	--------------------	-----	---------

### KOMMUNIKATIONSTEKNOLOGI

For yderligere oplysninger og for at se hele udvalget af forbundne produkter og tjenester, herunder forbindelsesvejledninger, skal du scanne QR-koden nedenfor eller gå på

[www.egopowerplus.eu/connect](http://www.egopowerplus.eu/connect).



### TIP TIL BRUG AF BLÆSEREN

- For ikke at sprede snavset og skidt bør man blæse rundt om yderkanterne af bunken af snavs og skidt. Blæs aldrig direkte ind i midten af en bunke.
- For at reducere lydniveauet bør antallet af stykker udstyr, der anvendes på et givet tidspunkt, begrænses.
- Brug river og koste til at løsne skidt og snavs, før der blæses. Hvis der er støvet, så fugt overfladerne let, hvis der er vand i nærheden.
- Hold øje med børn, kæledyr, åbne vinduer eller nyvaskede biler, og blæs skidt og snavs sikkert i den rigtige retning.
- Efter at have brugt løvblæser eller andet udstyr: Ryd op! Bortskaf skidt og snavs på korrekt vis.

### VEDLIGEHOLDELSE

**⚠ ADVARSEL:** Ved service må der kun bruges originale reservedele. Brug af andre reservedele kan medføre fare eller forårsage skader på produktet. For at sikre sikkerhed og pålidelighed, bør alle reparationer udføres af en kvalificeret servicetekniker.

**⚠ ADVARSEL:** For at undgå alvorlig personskade, altid fjerne batteriet fra produktet ved rengøring eller udfører vedligeholdelse.

### GENEREL VEDLIGEHOLDELSE

Undgå, at bruge opløsningsmidler til rengøring af plastdele. De fleste plastmaterialer risikerer at blive ødelagt, ved brug af forskellige slags alment tilgængelige opløsningsmidler. Brug rene klude til at fjerne snavs, støv, olie, fedt, osv.

**⚠ ADVARSEL:** Lad aldrig bremsevæske, benzin, oliebaseerede produkter, indtrængende olier osv. komme i kontakt med dele af plastic. Kemikalier kan beskadige, svække og ødelægge plastic, hvilket kan føre til alvorlige personskader.

**⚠ ADVARSEL:** For at reducere risikoen for brand, personskade og produktskade på grund af kortslutning, må maskinen, batteripakken eller opladeren aldrig nedsænkes i væske. Undgå også at væske trænger ind i dem. Ætsende eller ledende væsker, såsom havvand, bestemte industrikemikalier og blegemidler eller blegemiddelholdige produkter osv. kan kortslutte produktet.

### OPBEVARING

- Tag batteripakken ud af løvblæseren.
- Fjern alle fremmedlegemer fra løvblæserens luftindtag.
- Klik på spændet til opretstående opbevaring for at sætte blæserrøret på batterirummet (fig. K).
- Opbevares indendørs på et sted, der er utilgængeligt for børn. Holdes væk fra ætsende stoffer, såsom havekemikalier og vejsalt.

K-1	Spænde til opretstående opbevaring
-----	------------------------------------

### BESKYTTELSE AF MILJØET



Elektrisk udstyr, batterioplader og batterier må ikke smides ud sammen med almindelig husholdningsaffald! Tag dette produkt til en autoriseret genbrugsplads, og sørg for at det sendes til genbrug. Elektriske værktøjer skal returneres til et miljøkompatibelt genvindingsanlæg.

DK

## FEJLFINDING

DK

PROBLEM	ÅRSAG	LØSNING
Løvbløser virker ikke.	<ul style="list-style-type: none"> <li>■ Batteripakken er ikke sat på løvblæseren.</li> <li>■ Der er en løs forbindelse mellem blæseren og batteriet.</li> <li>■ Batteripakken er afladet.</li> <li>■ Batteripakke eller løvblæser er for varm.</li> <li>■ Beskadiget lufthastighedsknap.</li> <li>■ Batteripakke eller blæser er for kold.</li> </ul>	<ul style="list-style-type: none"> <li>■ Sæt batteripakken på løvblæseren.</li> <li>■ Fjern batteriet, kontrollér kontakterne og sæt batteriet på igen.</li> <li>■ Oplad batteripakken.</li> <li>■ Lad batteriet og blæseren køle ned, indtil temperaturen falder til under 67 °C.</li> <li>■ Kontakt EGO's kundeservice for reparation.</li> <li>■ Tag batteripakken ud, og lad batteripakken og blæseren varme op indendørs. Det anbefales at oplade batteripakken helt og starte blæseren på lav hastighed uden brug af turbofunktionen.</li> </ul>
Når der trykkes på lufthastighedsknappen, vises kun de to nederste lufthastighedsikoner på LCD-skærmen.	<ul style="list-style-type: none"> <li>■ Der bruges et batteri med en lav Ah-værdi.</li> </ul>	<ul style="list-style-type: none"> <li>■ Brug batterier med 4.0 Ah eller mere.</li> </ul>
Hastighedslåsen kan ikke slås til eller fra.	<ul style="list-style-type: none"> <li>■ Beskadiget knap til hastighedslåsen.</li> </ul>	<ul style="list-style-type: none"> <li>■ Kontakt EGO's kundeservice for reparation.</li> </ul>
Lufthastigheden reduceres markant.	<ul style="list-style-type: none"> <li>■ Batteristrømmen er lav.</li> <li>■ Motorventilatoren er overbelastet.</li> <li>■ Luftindtaget er blokeret af skidt og snavs.</li> </ul>	<ul style="list-style-type: none"> <li>■ Oplad batteripakken.</li> <li>■ Kontakt EGO service for reparation.</li> <li>■ Tag batteripakken ud, og fjern skidt og snavs.</li> </ul>
LCD-skærmen virker ikke ordentligt.	<ul style="list-style-type: none"> <li>■ Defekt LCD-skærm eller løs ledningsforbindelse.</li> </ul>	<ul style="list-style-type: none"> <li>■ Kontakt EGO service for reparation.</li> </ul>
En af indikatorerne på brændstofmåleren på LCD-skærmen blinker.	<ul style="list-style-type: none"> <li>■ Batteristrømmen er lav.</li> </ul>	<ul style="list-style-type: none"> <li>■ Oplad batteripakken.</li> </ul>

## GARANTI

### EGO GARANTI POLITIK

Du kan finde alle vilkårene og betingelserne for EGO-s garantipolitik på hjemmesiden [egopowerplus.eu](http://egopowerplus.eu).

## LÄS IGENOM ALLA INSTRUKTIONER!



### LÄS IGENOM BRUKSANVISNINGEN

**⚠ VARNING:** För att garantera en säker och pålitlig användning måste alla reparationer utföras av en kvalificerad servicetekniker.

## SÄKERHETSSYMBOLER

Syftet med säkerhetssymboler är att uppmärksamma eventuella faror. Säkerhetssymbolerna och förklaringarna av dessa kräver din fullständiga uppmärksamhet och förståelse. Symbolvarningarna i sig eliminerar inte några faror. Instruktionerna och varningarna som ges är inte något substitut för korrekta åtgärder för förhindrande av olyckor.

**⚠ VARNING:** Var noga med att läsa igenom och förstå alla säkerhetsinstruktioner i denna bruksanvisning, inklusive alla varningssymboler såsom "FARA", "VARNING" och "FÖRSIKTIGHET" innan maskinen används. Underlåtenhet att läsa alla instruktioner som listas nedan kan resultera i elektrisk stöt, brand och/eller allvarlig personskada.

SE

## SYMBOLBETYDELSE

**⚠ SÄKERHETSLARMSYMBOL:** Indikerar FARA, VARNING eller FÖRSIKTIGHET, kan användas tillsammans med andra symboler eller bilder.

## SÄKERHETSINSTRUKTIONER

Denna sida framställer och beskriver säkerhetssymboler som kan visas på denna produkt. Läs igenom, förstå och följ alla instruktioner på maskinen innan försök görs att montera och hantera den.



Säkerhetslarm



För att minska risken för skador måste användaren läsa bruksanvisningen.



Använd alltid hörselskydd när denna produkt används.



Använd alltid skyddsglasögon eller säkerhetsglasögon med sidoskydd och en full ansiktsmask när denna produkt används.



Håll alla åskådare på ett avstånd av minst 15 meter.



Garanterad ljudeffektnivå. Bulleremissioner för omgivningen enligt EU-direktivet.



Förbrukade elektriska produkter får inte kastas i hushållsoporna. Lämnas in dem till en auktoriserad återvinningsstation.



Denna produkt är i enlighet med gällande EG-direktiv.



Likström



Brittisk överensstämmelse bedömd



Stirra inte in i arbetslampan.



Bluetooth®-symbol

IPX5

Skydd mot vattenstrålar

kg

Kilogram

V

Spänning

m<sup>3</sup>/h

Kubikmeter per timme

°C Celsius

m/s Meter per sekund

N Newton

## SPECIFIKATIONER

Spänning	56 V
Maximal luftvolym	1870 m <sup>3</sup> /h
Maximal lufthastighet	85 m/s
Maximal blåsstyrka	36 N
Bluetooth operativt frekvensband	2400-2438 MHz
Bluetooth maximal sändningseffekt	5 dBm
Vikt (utan batteripaket)	9,6 kg
Rekommenderad drifttemperatur	-15°C - 40°C
Rekommenderad förvaringstemperatur	-20°C - 70°C
Uppmätt ljudeffektnivå L <sub>WA</sub>	96 dB(A) K=1,4 dB(A)
Ljudtrycksnivå vid operatörens öra L <sub>PA</sub>	83 dB(A) K=3 dB(A)
Garanterad ljudtrycksnivå L <sub>WA</sub> (uppmätt enligt 2000/14/EG)	98 dB(A)
Vibration a <sub>h</sub>	0,25 m/s <sup>2</sup> K=1,5 m/s <sup>2</sup>

- Det deklarerade totala vibrationsvärdet har uppmätts i enlighet med en standardtestmetod och kan användas för att jämföra ett verktyg med ett annat;
- Det deklarerade totala vibrationsvärdet kan också användas i en preliminär utvärdering av exponeringen.

**UPPMÄRKSAMMA:** Vibrationsutstrålningen under verklig användning av elverktyg kan skilja sig från det deklarerade värdet i vilken verktyget används. För att skydda användaren skall skyddshandskar och hörselskydd användas under faktiska användningsförhållandet.

## FÖRPACKNINGSLISTA (BILD A1)

### BESKRIVNING

#### LÄRA KÄNNA DIN LÖVBLÅS (bild A1)

1. Justerbar stödsele
2. Upprätt förvaringsspänne
3. Ryggsäcksplatta
4. Styrhandtag
5. Spetsigt munstycke
6. Blåsrör
7. Rörklämma
8. Styrhandtag rör
9. Styrhandtag klämma
10. Bälglämma
11. Bäl
12. Luftintag
13. Hjälp-handtag
14. Elektriska kontakter
15. Spärhake
16. Låsknappar för batteriet
17. Handtag
18. Avtryckare för lufthastighet
19. Knapp för hastighetslås
20. LED-lampa
21. LCD-skärm
22. LED-lampknapp
23. Turbo-knapp
24. Snabbblåsspakar
25. Bluetooth-indikator
26. Bränslemätare
27. Fläktikon
28. Turbo-indikator
29. Indikator för lufthastighet
30. Ikon för hastighetslås
31. Batterikon

SE

## MONTERING

**⚠ VARNING:** Om någon del är skadad eller saknas skall inte denna produkt användas innan delarna ersatts. Användning av denna produkt om den är skadad eller saknar delar kan resultera i allvarliga personskador.

**⚠ VARNING:** Försök inte att modifiera denna produkt eller skapa tillbehör som inte rekommenderas för användning med denna lövblåsare. Alla sådana ändringar eller modifieringar är missbruk och kan resultera i allvarliga situationer som kan leda till allvarliga personskador.

**⚠ VARNING:** För att förhindra oavsiktlig start som kan orsaka allvarliga personskador skall alltid batteripaketet tas bort från verktyget innan delar monteras.

### MONTERA BLÅSRÖREN

#### Ansluta styrhandtagets rör till bälgan

1. För bekväm montering, placera blåsaren med stödselen uppåt som visas i bild. B1.
2. Lossa och ta bort de två skruvarna från ena sidan av bälgklämman, öppna bälgklämman delvis men se till att fliken på bälgens kant är helt inkopplad i spåret i klämman (bild. B2).
3. För in den bakre änden av styrhandtagets rör i bälgan tills den bakre ändytan kommer i kontakt med bälgklämmans ändyta (bild. B3).
4. Bälgklämman kan stängas helt när styrhandtagets rör är korrekt anslutet till bälgan. Dra åt skruvarna på bälgklämman (bild. B4).

B1-1	Stödsela	B1-2	Bälg
B2-1	Skruvar	B2-2	Spår
B2-3	Flik	B2-4	Bälgklämman
B3-1	Styrhandtag rör	B3-2	Bakre ände
B3-3	Bakre ändens yta	B3-4	Bälgklämmans ändyta

#### Ansluta blåsröret till styrhandtagets rör

1. Lossa och ta bort snabbspaken och vingmuttern från rörklämenheten som är fäst på blåsröret (bild C1).
2. Rikta in spåret i blåsröret med ribban på styrhandtagets rör, skjut blåsröret över styrhandtagets rör så långt det går (bild C2).

3. Sätt i stiftet på snabbspaken och stäng spaken på rörklämma (bild C3).
4. Dra åt vingmuttern för att fästa rörklämma på plats (bild C4).

C1-1	Blåsrör	C1-2	Rörklämma
C1-3	Snabbblåsspak	C1-4	Vingmutter
C2-1	Blåsrörets spår	C2-2	List på styrhandtagets rör

#### Anslut det avsmalnande munstycket till blåsröret

1. Rikta in spåret i munstycket med spärren på röret. Tryck munstycket över röret tills det snäpper på plats (bild D1).
2. Tryck in och håll ner munstyckets låsknapp för att öppna spärren och dra sedan munstycket rakt ut från lövblåsarens rör (bild. D2).

D1-1	Låsknapp för munstycke	D1-2	Spärrhake
------	------------------------	------	-----------

## DRIFT

**⚠ VARNING:** Bli inte vårdslös bara för att du är bekant med denna produkt. Kom ihåg att oaksamhet under en bråkdel av en sekund är tillräcklig för att orsaka allvarliga skador.

**⚠ VARNING:** Använd inga andra tillsatser eller tillbehör än de som rekommenderas av tillverkaren av denna produkt. Användning av tillbehör eller tillsatser som inte rekommenderas kan resultera i allvarlig personskada.

**⚠ VARNING:** Ta alltid bort batteripaketet från produkten vid montering av delar, justeringar, rengöring eller när den inte ska användas. När batteripaketet tas bort förhindrar det oavsiktliga starter som kan orsaka allvarliga personskador.

Inspektera hela produkten innan varje användning om där finns skador, saknade eller lösa delar såsom skruvar, muttrar, bultar, höljen etc. Dra åt alla fästelement och lock och använd inte denna produkt innan alla saknade eller skadade delar bytts ut.

### ANVÄNDNING

Du kan använda denna produkt för de tillämpningar som listas nedan:

- Rensa löv och diverse trädgårdsavfall från gräsmattor och mulchbäddar.

SE

- Rensa hårda ytor som t.ex. uppfarter och gångvägar.
- Hålla däck och uppfarter fritt från löv och kottar.

**UPPMÄRKSAMMA:** Verktøget får enbart användas för det föreskrivna ändamålet. All annan användning betraktas som missbruk.

## FÄST/TA LOSS BATTERIPAKETET

Använd endast EGO:s batteripaket och laddare som listas i bild. A2.

Se motsvarande batteripaket och laddarmanualer för mer information.

### Ladda fullt innan första användning.

**NOTERA:** För bästa prestanda rekommenderar vi att du använder EGO 56 V-batteripaket BA3360T (6,0 Ah) eller andra EGO 56 V-batteripaket med högre Ah-klassning.

Lövlåsåren har två aktiva batteriportar på vänster och höger sida av batteriportens hölje.

**NOTERA:** Lövlåsåren kan fungera med ett eller två batterier. Användning av två batterier ger dig en längre drifttid och effektiv effektdragning som hanteras av PEAK POWER™ -tekniken.

När batteripaketet sätts in i motsvarande batteriportar markerade med 1 eller 2 på rygsäcksplattan och lövlåsåren är påslagen, kommer motsvarande batteriikon att lysa på LCD-skärmen (bild. E1).

### Fästa (bild. E2)

Rikta in listerna på batteriet med monteringsspåren och tryck sedan ner batteripaketet tills du hör ett "klick". Fäst det andra batteriet.

### Ta bort

Tryck på batteriets låsknapp och dra ut batteripaketet.

**⚠ VARNING:** Var alltid nogga med att se var du har dina fötter, barn eller husdjur när du trycker in låsknappen för batteriet. Allvarliga personskador kan inträffa om batteripaketet tappas. Ta ALDRIG ut batteripaketet när du är på en hög plats.

E1-1	Batteriportens nummer	E1-2	LCD-skärm
E1-3	Batteriikon	E2-1	Batterilist
E2-2	Monteringsspår	E2-3	Batterilåsknapp

## POSITIONERA LÖVLÅSAREN MED AXELSELE

**⚠ VARNING:** Använd korrekta kläder för att minska risken för personskador vid användning av denna maskin. Bär inte löst sittande kläder eller smycken. Använd ögon- och öron-/hörselskydd. Använd rejåla långbyxor, kängor och handskar. Använd inte shorts, sandaler eller gå barfota.

Innan du använder rygsäckslövlåsåren ska du se till att operatören bär ögonskydd och lämpliga kläder och att hen kan stå säkert och balanserat.

### Justera stödselen

1. Dra i de två remmarna på rygsäcksplattan för att kontrollera att selen sitter ordentligt fast på rygsäcksplattan (bild. F1).
2. Justera ryggkuddarna och länderyggsdynan för din komfort om det behövs.
  - Lossa axelremmarna, dra av ryggkuddarna från kardborrbandet och flytta dynorna till önskad position, dra sedan in axelremmarna för att säkra dynorna för din rygsäck (bild. F2).

**NOTERA:** De horisontella linjerna på ryggkuddarna hjälper att justera båda kuddarna på samma nivå.

- Dra av länderyggsdynan från kardborrbandet och flytta dynan till önskad position (bild. F3).
3. För armarna genom axelselens remmar för att stödja lövlåsåren på din rygg. Justera tillfälligt bröstbanden till bekväma lägen och se till att armågen på din högra arm är bekväm när du håller in styrhandtaget (bild. F4).
  4. Knäpp midjespännet och justera midjebandets längd så att rygsäcken får ett säkert stöd runt din midja. Om midjespännet är svårt att knäppa, justera de två sidoremmarna på varje sida för att göra det enkelt (bild. F5).

**NOTERA:** Selen bör inte sitta för högt upp på ryggen. Den ska placeras närmare höften än axlarna.

**⚠ VARNING:** I en nödsituation ska du omedelbart lossa bröst- och midjespännena för att ta av rygsäcksremmen på varje sida. Detta är en metod för snabbkoppling.

5. Justera bröstremmarna för säkerhet och komfort. Se till att selen sitter korrekt över ryggen, med vikten som stöds av midjebältet, och utan att den flyttas för mycket när du rör dig (bild. F6).
6. Sätt in eventuell extra längd av remmarna i resåren (bild. F7).
7. Det finns flera ljusreflekterande remсор för säker



drift. Se till att inte täcka de ljusreflekerande remorna under drift (bild. F8).

8. **För att ta bort selen från ryggen** trycker du bara på midje- och bröstspännena för att frigöra dem och sänka ner lövblåsaren (bild. F9).

F1-1	Remmar	F1-2	Ryggsäcksplatta
F2-1	Axelremmar	F2-2	Horisontella linjer
F3-1	Timmerplatta	F4-1	Bröstremmar
F5-1	Midjeremmar	F5-2	Midjespänne
F5-3	Sidoremmar	F7-1	Elastisk
F7-2	Extra längd på remmar	F8-1	Ljusreflekerande remor

### Justera kontrollhandtaget

1. Lossa snabbblåsspaken för att flytta manöverhandtaget framåt eller bakåt efter behov (bild. G1 och G2) och sätt sedan in snabbblåsspaken för att fästa handtaget på plats.
2. Du kan även vrida handtaget om det blir bekvämare (bild. G3).

G1-1	Styrhandtag	G1-2	Snabbblåsspak
------	-------------	------	---------------

### Justera kontrollhandtagets rörlängd (Bild H1, H2)

1. Släpp snabbkopplingsspaken (bild. H1).
2. Flytta blåsröret till ett bekvämt arbetsläge inom justeringszonen (bild. H2).
3. Koppla in snabbblåsspaken för att fästa fläktröret på plats (bild. H2).

H1-1	Snabbblåsspak	H2-1	Blåsrör
H2-2	Justeringszon		

### STARTA/STOPPA LÖVBLÅSAREN

**NOTERA:** Lövblåsen kanske inte startar ordentligt om batteripaketet eller lövblåsarens temperatur är -15 °C eller lägre. Ta i så fall ut batteripaketet ur lövblåsen och låt batteripaketet och fläkten värmas upp inomhus i 10 minuter eller längre. Sätt tillbaka batteripaketet och försök igen.

### Avtryckare för lufthastighet (bild. I1 och I2)

- Tryck in avtryckaren för lufthastighet för att slå på lövblåsaren, sedan visar LCD-skärmen bränslemätaren,

batteriikonen och lufthastighetsindikatorn.

**NOTERA:** 1 lysdiod på bränslemätaren på LCD-skärmen blinkar när batteriets laddningsnivå är låg.

- Lufthastigheten för lövblåsaren kontrolleras med den variabla hastighetsavtryckaren. Mer tryck på avtryckarens resulterar i högre blåshastighet, mindre tryck resulterar i lägre blåshastighet. Ställ in hastigheten så den passar uppgiften. Motsvarande indikator för lufthastighet visas på LCD-skärmen.
- Släpp upp avtryckaren för lufthastighet för att stänga av lövblåsaren. LCD-skärmen släcks inom en viss tidsperiod efter att avtryckaren har släppts.

**NOTERA:** Om ett batteripaket under 4 Ah används är lufthastigheten begränsad till endast två bar.

SE

### Turbo-läge

Medan lufthastighetsavtryckaren är intryckt och hålls intryckt, tryck på turboknappen för att öka luftflödet till maximal hastighet (bild. I1). Både turbo-indikatorn och fläktikonen tänds på LCD-skärmen (bild. I3).

**NOTERA:** Lövblåsaren återgår till föregående hastighet när turboknappen släpps.

### Hastighetslåsläge

Hastighetsspärren kan användas för att driva fläkten utan att kontinuerligt trycka på avtryckaren för lufthastighet.

1. Tryck in avtryckaren för lufthastighet tills du når önskad hastighet (bild. I1).
2. Tryck på knappen för hastighetslås. Ikonen för hastighetslåset tänds på LCD-skärmen (bild. I4).
3. Släpp sedan avtryckaren för lufthastighet, fläkten fortsätter att gå på "önskad" hastighet.

**NOTERA:** Om du trycker på turboknappen i hastighetslåsläget kan du låsa lufthastigheten på maximal nivå. Fläkten återgår till föregående hastighet när du trycker på turboknappen en gång till.

4. **För att frigöra hastighetslåset**, tryck på knappen för hastighetslås igen. Ikonen för hastighetsspärr försvinner från LCD-skärmen och fläkten stängs av.

I1-1	Turbo-knapp	I1-2	Knapp för hastighetslås
I1-3	Avtryckare för lufthastighet	I2-1	Bränslemätare
I2-2	Indikator för lufthastighet	I2-3	Batteriikon

I3-1	Fläktikon	I3-2	Turbo-indikator
I4-1	Ikön för hastighetslås		

## LED-LAMPA (bild. J)

LED-lampan är placerad på framsidan av fläkthuset. Den ger belysning för ökad synlighet.

Tryck en gång på LED-ljusknappen för att tända ljuset, tryck en gång till för att släcka ljuset. Den släcks också automatiskt efter ca fem minuters inaktivitet.

J-1	LED-lampknapp	J-2	LED-lampa
-----	---------------	-----	-----------

SE

## KOMMUNIKATIONSTEKNOLOGI

För information eller vårt kompletta utbud av anslutna produkter och tjänster, inklusive anslutningsinstruktioner, skanna QR-koden nedan eller besök

[www.egopowerplus.eu/connect](http://www.egopowerplus.eu/connect).



## TIPS VID ANVÄNDNING AV LÖVBLÅSAREN

- För att inte sprida ut skräpet, blås runt de yttre kanterna av skräphögen. Blås aldrig mitt i skräphögen.
- För att minska ljudnivåerna, begränsa antalet delar som utrustningen använder samtidigt.
- Använd krattor och sopborstar för att lossa på skräpet före lövblåsaren används. I dammiga förhållanden, fukta ytan något när vatten finns tillgängligt.
- Se upp för barn, husdjur, öppna fönster och nytvättade bilar och blås sedan bort skräpet på ett säkert sätt.
- Plocka upp småskräp efter att du har använt lövblåsaren eller annan utrustning! Kassera skräpet på ett korrekt sätt.

## UNDERHÅLL

**⚠ VARNING:** Vid service ska enbart identiska utbyteskomponenter användas. Användning av andra delar kan skapa risker eller orsaka produktskador. För att garantera en säker och pålitlig användning måste alla reparationer utföras av en kvalificerad servicetekniker.

**⚠ VARNING:** För att undvika allvarliga personsador, ta alltid ut batteripaketet ur produkten vid rengöring eller underhåll.

## ALLMÄNT UNDERHÅLL

Använd inte lösningsmedel när du rengör plastdelarna. De flesta plaster är känsliga för skador från olika typer av kommersiella lösningsmedel och kan skadas av dess användning. Använd en ren trasa för att ta bort smuts, damm, olja, fett osv.

**⚠ VARNING:** Låt aldrig bromsvätska, bensen, petroleumbaserade produkter, smörjfett osv. komma i kontakt med plastdelarna. Kemikalier kan skada, försvaga eller förstöra plast, vilket kan resultera i allvarliga personsador.

**⚠ VARNING:** För att minska risken för brand, personsador och produktsador på grund av kortslutning får du aldrig sänka ned maskinen, batteriet eller laddaren i vätska eller låta vätska rinna inuti dem. Frätande eller ledande vätskor, t.ex. havsvatten, vissa industrikemikalier, blekmedel eller produkter som innehåller blekmedel, etc., kan orsaka kortslutning.

## FÖRVARING

- Ta ut batteripaketet/-paketen från lövblåsaren.
- Ta bort allt främmande material från luftintagen på lövblåsaren.
- Snäpp fast det upprättstående förvaringsspannet för att haka fast fläktröret på batteriportens hölje (bild. K).
- Förvara i ett slutet utrymme som är utom räckhåll för barn. Håll den borta från frätande medel som t.ex. trädgårdskemikalier och vägsalt.

K-1	Upprätt förvaringsspanne
-----	--------------------------

## SKYDDA MILJÖN



Kasta inte elektrisk utrustning, använt batteri och laddare i hushållssoporna! Ta denna produkt till en auktoriserad återvinnare och gör den tillgänglig för separat insamling. Elektriska verktyg måste returneras till en miljöanpassad återvinningsanläggning.

## FELSÖKNING

PROBLEM	ORSAK	LÖSNING
Lövbålsaren fungerar inte.	<ul style="list-style-type: none"> <li>■ Batteripaketet är inte monterat på lövbålsaren.</li> <li>■ Det finns ingen elektrisk kontakt mellan blåsaren och batteriet.</li> <li>■ Batteripaketets laddning är slut.</li> <li>■ Batteripaketet eller lövbålsaren är för varm.</li> <li>■ Skadad avtryckare för lufthastighet.</li> <li>■ Batteripaketet eller lövbålsaren är alltför kall.</li> </ul>	<ul style="list-style-type: none"> <li>■ Montera batteripaketet på lövbålsaren.</li> <li>■ Ta bort batteripaketet, kontrollera kontaktorna och sätt tillbaka batteripaketet.</li> <li>■ Ladda batteripaketet.</li> <li>■ Låt batteripaketet och lövbålsaren svalna tills temperaturen sjunker under 67 °C.</li> <li>■ Kontakta EGO kundtjänst för hjälp.</li> <li>■ Ta ut batteripaketet och låt batteripaketet och fläkten värmas upp inomhus. Vi rekommenderar att du laddar batteripaketet helt och startar lövbålsaren på låg hastighet utan att aktivera turbolåget.</li> </ul>
När avtryckaren för lufthastighet trycks in visas endast de två nedersta ikonerna för lufthastighet på LCD-skärmen.	<ul style="list-style-type: none"> <li>■ Batteripaket med låg Ah-halt används.</li> </ul>	<ul style="list-style-type: none"> <li>■ Använd batteripaket med 4,0 Ah eller högre.</li> </ul>
Det går inte att aktivera eller inaktivera hastighetslåslåget.	<ul style="list-style-type: none"> <li>■ Skadad hastighetslåsknapp.</li> </ul>	<ul style="list-style-type: none"> <li>■ Kontakta EGO kundtjänst för hjälp.</li> </ul>
Lufthastigheten minskar märkbart.	<ul style="list-style-type: none"> <li>■ Batteriladdningen är låg.</li> <li>■ Överdrivet slitage på motorfläkten.</li> <li>■ Luftintaget är blockerat av skräp.</li> </ul>	<ul style="list-style-type: none"> <li>■ Ladda batteripaketet.</li> <li>■ Kontakta EGO service för reparation.</li> <li>■ Ta ut batteripaketet, rensa sedan bort skräpet.</li> </ul>
LCD-skärmen fungerar inte som den ska.	<ul style="list-style-type: none"> <li>■ LCD-skärmen eller kabelanslutningen är skadad.</li> </ul>	<ul style="list-style-type: none"> <li>■ Kontakta EGO service för reparation.</li> </ul>
1 LED på bränslemätaren på LCD-skärmen blinkar.	<ul style="list-style-type: none"> <li>■ Batteriladdningen är låg.</li> </ul>	<ul style="list-style-type: none"> <li>■ Ladda batteripaketet.</li> </ul>

SE

## GARANTI

### EGO GARANTIPOLICY

Besök webbsidan [egopowerplus.eu](http://egopowerplus.eu) för fullständiga villkor för EGO garantipolicy.

## LUE KAIKKI OHJEET!



### LUE KÄYTTÖOPAS

**VAROITUS:** Pätevän huoltoteknikon tulee suorittaa kaikki korjaukset, jotta voidaan taata tuotteen turvallinen ja luotettava käyttö.

## TURVALLISUUSSYMBOLIT

Turvallisuussymbolien tarkoituksena on kiinnittää huomiota mahdollisiin vaaroihin. Turvallisuussymbolit ja niiden selitykset on syytä lukea tarkkaan ja ymmärtää perusteellisesti. Varoitussymbolit eivät yksin poista vaaran mahdollisuutta. Niiden antamat ohjeet ja varoitukset eivät korvaa kunnollisia onnettomuuksien ehkäisytöimenpiteitä.

**VAROITUS:** Lue ja ymmärrä tämän käyttöoppaan kaikki turvallisuusohjeet, mukaan lukien turvallisuusvaroitussymbolit, kuten "VAARA", "VAROITUS" ja "HUOMIO" ennen koneen käyttämistä. Alla olevien ohjeiden noudattamatta jättäminen saattaa aiheuttaa sähköiskun, tulipalon ja/tai vakavan henkilövahingon.

FI

## SYMBOLIEN MERKITYKSET

**TURVALLISUUSHÄLYTYKSEN SYMBOLI:** Ilmaisee VAARAA, VAROITUSTA tai HUOMIOTA, voidaan käyttää muiden symboleiden tai kuvamerkkien yhteydessä.

## TURVALLISUUSOHJEET

Tällä sivulla kuvataan ja esitellään turvallisuussymbolit, jotka saattavat esiintyä tässä tuotteessa. Lue, ymmärrä ja noudata kaikkia laitteen ohjeita ennen kuin yrität koota sen tai käyttää sitä.



Turvallisuushälytys



Käytä aina kuulosuojaimia, kun käytät laitetta.



Pidä kaikki sivulliset ainakin 15 metrin päässä.



Vanhoja sähkölaitteita ei saa hävittää kotitalousjätteen mukana. Vie laite valtuutettuun kierrätyslaitokseen.



Tasavirta



Älä tuijota käyttövaloa.

IPX5

Suojaus vesisuihkuilt

V

Jännite



Käyttäjän on luettava käyttöopas loukkaantumiskaavan vähentämiseksi.



Käytä aina suojalaseja tai sivusuojilla varustettuja suojalaseja ja kokonaamaria, kun käytät tätä tuotetta.



Taattu äänitehotaso. Melupäästöt ympäristöön Euroopan yhteisön direktiivin mukaiset.



Tämä tuote vastaa sovellettavia EU-direktiivejä.



UK Vaatimustenmukaisuus arvioitu



Bluetooth®-symboli

kg

Kilogramma

m<sup>3</sup>/h

Kuutiometriä per tunti

°C Celsius

m/s Metriä sekunnissa

N Newton

## TEKNISET TIEDOT

Jännite	56 V
Suurin ilmamäärä	1870 m <sup>3</sup> /t
Suurin ilmannopeus	85 m/s
Suurin puhallusteho	36 N
Bluetooth-käyttötaajuuskaista	2400-2438 MHz
Bluetooth suurin lähetysteho	5 dBm
Paino (ilman akkua)	9,6 kg
Suosittelun käyttölämpötila	-15°C - 40°C
Suosittelun säilytyslämpötila	-20°C - 70°C
Mitattu äänitehotaso L <sub>WA</sub>	96 dB(A) K=1,4 dB(A)
Äänenpaineen taso käyttäjän korvien tasolla L <sub>PA</sub>	83 dB(A) K=3 dB(A)
Taattu äänentehotaso L <sub>WA</sub> (mitattu 2000/14/EY mukaisesti)	98 dB(A)
Tärinä a <sub>n</sub>	0,25 m/s <sup>2</sup> K=1,5 m/s <sup>2</sup>

- Ilmoitettu tärinän kokonaispäästöarvo on mitattu standarditestausten menetelmän mukaisesti, ja sen avulla voidaan vertailla työkaluja keskenään;
- Ilmoitettua tärinän kokonaispäästöarvoa voidaan käyttää myös altistumisen alustavaan arviointiin.

**HUOMAUTUS:** Työkalun käytön aikana mitattu todellinen tärinäpäästöarvo voi poiketa ilmoitetusta kokonaispäästöarvosta työkalun käyttötavasta johtuen; käyttäjän suojaamiseksi tulee käyttää käsiineitä ja kuulosuojaimia varsinaisissa käyttöolosuhteissa.

## PAKKAUSLUETTELO (KUVA A1)

### KUVAUS

#### TUNNE PUHALTIMESI (kuva A1)

1. Säädettävät tukivaljaat
2. Pystysäilytyksen solki
3. Reppulevy
4. Ohjauskahva
5. Kapeneva suutin
6. Puhaltimen putki
7. Putken puristin
8. Ohjauskahvan putki
9. Ohjauskahvan puristin
10. Palkeiden puristin
11. Palkeet
12. Ilmanotto
13. Apukahva
14. Sähköliitännät
15. Salpa
16. Akun vapautuspainikkeet
17. Kahva
18. Ilman nopeusliipaisin
19. Nopeuden lukituspainike
20. LED-valo
21. LCD-näyttö
22. LED-valopainike
23. Turbo-painike
24. Pikavapautusvivut
25. Bluetooth-ilmaisin
26. Akkutehomittari
27. Tuuletinkuvake
28. Turbo-merkkivalo
29. Ilmannonpeuden merkkivalo
30. Nopeuden lukituskuvake
31. Akkukuvake

FI

## KOKOAMINEN

**VAROITUS:** Jos jokin osa on vahingoittunut tai puuttuu, älä käytä tuotetta ennen kuin osat on vaihdettu. Tuotteen käyttö vioittuneilla tai puuttuvilla osilla voi aiheuttaa vakavan henkilövahingon.

**VAROITUS:** Älä yritä muokata tätä laitetta tai luoda sille lisävarusteita, joita ei suositella käytettäväksi tämän puhaltimen kanssa. Mikä tahansa tällainen muokkaus tai muutos on väärinkäyttö ja saattaa aiheuttaa vaarallisen tilan, joka saattaa johtaa vakavaan henkilövammaan.

**VAROITUS:** Poista akut työkalusta aina, kun kokoat osia. Näin varmistat, ettei laite käynnisty vahingossa eikä aiheuta vakavia henkilövahinkoja.

FI

### PUHALTIMEN PUTKIEN KOKOAMINEN

#### Ohjauskahvan putken liittäminen palkeisiin

- Jotta puhallin olisi helppo asentaa, aseta se siten, että tukivaljaat ovat ylöspäin kuvan B1 mukaisesti.
- Löysää ja irrota kaksi ruuvia palkeiden puristimen toiselta puolelta, avaa palkeiden puristin osittain, mutta varmista, että palkeiden reunassa oleva kieleke on täysin puristimen aukossa (kuva B2).
- Työnnä ohjauskahvan putken takapää palkeeseen, kunnes takapään pinta koskettaa palkeen puristimen pääty pintaa (kuva B3).
- Palkeen puristin voidaan sulkea kokonaan, kun ohjauskahvan putki on liitetty palkeeseen oikein. Kiristä palkeen puristimen ruuvit tiukasti (kuva B4).

B1-1	Tukivaljaat	B1-2	Palkeet
B2-1	Ruuvit	B2-2	Aukko
B2-3	Nappi	B2-4	Palkeiden puristin
B3-1	Ohjauskahvan putki	B3-2	Takapää
B3-3	Takapään pinta	B3-4	Palkeiden puristimen pääty pinta

#### Puhaltimen putken liittäminen ohjauskahvan putkeen

- Löysää ja irrota pikavapautusvipu ja siipimutteri puhaltimen putkeen kiinnitetystä putken kiinnityskokoonpanosta (kuva C1).
- Kohdista puhaltimen putken ura ohjauskahvan putken kohoumaan, liu'uta puhaltimen putki

ohjauskahvan putken yli niin pitkälle kuin se menee (kuva C2).

- Työnnä pikavapautusvivun tappi paikalleen ja sulje vipu putken puristimeen (kuva C3).
- Kiristä siipimutteri kiinnittäaksesi putken puristimen (kuva C4).

C1-1	Puhaltimen putki	C1-2	Putken puristin
C1-3	Pikavapautusvipu	C1-4	Siipimutteri
C2-1	Puhaltimen putken ura	C2-2	Ohjauskahvan putken uloke

#### Kapenevan suuttimen liittäminen puhaltimen putkeen

- Kohdista suuttimen ura putken salpaan. Paina suutin putken päälle, kunnes se napsahtaa kunnolla paikalleen (kuva D1).
- Poista suutin** pitämällä suuttimen vapautuspainiketta painettuna salvan vapauttamiseksi, vedä sitten suutin suoraan irti puhaltimen putkesta (kuva D2).

D1-1	Suuttimen vapautuspainike	D1-2	Salpa
------	---------------------------	------	-------

## KÄYTTÖ

**VAROITUS:** Älä anna tämän laitteen tuttuuden tehdä sen käsittelystä huolimattontta. Muista, että sekunnin sadasosankin huolimattomuus riittää vakavan vamman aiheutumiseen.

**VAROITUS:** Älä käytä lisälaitteita tai lisävarusteita, jos tämän tuotteen valmistaja ei ole suositellut niitä. Tällaisten lisävarusteiden tai apuvälineiden käyttö saattaa aiheuttaa vakavia henkilövahinkoja.

**VAROITUS:** Poista akut laitteesta aina, kun kokoat osia, teet muutoksia tai puhdistat laitetta tai kun et käytä sitä. Näin varmistat, ettei laite käynnisty vahingossa, mikä voi aiheuttaa vakavia henkilövahinkoja.

Ennen jokaista käyttökertaa tarkista laite kokonaisuudessaan vahingoittuneiden, puuttuvien tai löystyneiden osien varalta, kuten ruuvit, mutterit, pultit, korkit jne. Kiinnitä kaikki kiinnittimet ja kannet tiukasti, äläkä käytä laitetta ennen kuin kaikki puuttuvat tai vahingoittuneet osat on vaihdettu.

## KÄYTTÄMINEN

Tätä laitetta voi käyttää seuraavassa mainittuihin tarkoituksiin:

- Lehtien ja erilaisten pihajätteiden siivoaminen nurmikoilta ja multapenkereiltä.
- Koviin pintojen, kuten ajoteiden ja jalkakäytävien, puhdistamiseen.
- Tasanteiden ja ajoteiden puhdistaminen lehdistä ja neulasista.

**HUOMAUTUS:** Työkalua tulee käyttää vain sille määritettyyn tarkoitukseen. Kaikki muu käyttö katsotaan väärinkäytöksi.

## AKUN LIITTÄMINEN/POISTAMINEN

Käytä vain EGO:n akkuja ja latureita, jotka on lueteltu alla kuvassa A2.

Lisätietoja on vastaavien akkujen ja latureiden käyttöohjeissa.

## Lataa täyteen ennen ensimmäistä käyttökertaa.

**HUOMAA:** Parhaan suorituskyvyn saavuttamiseksi suosittelemme EGO 56V -akkupaketin BA3360T (6,0 Ah) tai muiden EGO 56V -akkupakettien, joiden Ah-arvo on suurempi, käyttöä.

Puhaltimessa on kaksi aktiivista akkuaukkoa akkukotelon vasemmalla ja oikealla puolella.

**HUOMAA:** Puhallin toimii yhdellä tai kahdella akulla. Kahden akun käyttö antaa sinulle pidemmän käyttöajan ja tehokkaan virranoton, jota hallitaan PEAK POWER™ -tekniikalla.

Kun akut asetetaan reppulevyssä oleviin vastaaviin akkuaukkoihin, jotka on merkitty reppulevyn merkinnällä 1 tai 2, ja puhallin kytketään päälle, vastaava akkukuvake syttyy LCD-näytössä (kuva E1).

## Kiinnittäminen (kuva E2)

Kiinnitä kohdistamalla akun ulokkeet kiinnitysaukkoihin ja painamalla akkua alaspäin, kunnes kuuluu ”napsahdus”. Kiinnitä toinen akku.

## Poistaminen

Paina akun vapautuspainiketta ja vedä akku ulos.

**VAROITUS:** Huomioi aina, missä omat jalkasi, lapset tai lemmikit ovat, kun painat akun vapautuspainiketta. Jos akku putoaa, se voi aiheuttaa vakavan vamman. Älä IKINÄ poista akkua, jos se sijaitsee korkealla.

E1-1	Akkuaukkojen määrä	E1-2	LCD-näyttö
E1-3	Akkukuvake	E2-1	Akun kannatin
E2-2	Kiinnitysaukko	E2-3	Akun vapautuspainike

## SELÄSSÄ KANNETTAVAN PUHALTIMEN ASETTAMINEN

**VAROITUS:** Pukeudu asianmukaisesti välttääksesi loukkaantumisvaaran tätä konetta käyttäessäsi. Älä käytä väljiä vaatteita tai koruja. Käytä suojalaseja ja kuulosuojaimia. Käytä paksuja, pitkälahkeisia housuja, kunnollisia jalkineita ja suojakäsineitä. Älä käytä lyhyitä housuja, sandaaleita tai ole paljain jaloin.

Varmista ennen reppupuhaltimen käyttöä, että käyttäjällä on silmiensuojaimet ja asianmukainen vaatetus ja että hän pystyy säilyttämään tukevan ja tasapainoisen seisoma-asennon.

## Tukivaljaiden säätäminen

1. Vedä kahdesta reppulevyn hinnasta varmistaaksesi, että valjaat on kiinnitetty tukevasti reppulevyn (kuva F1).
2. Säädä tarvittaessa selkäpehmustetta ja lannerangan pehmustetta mukavuutesi mukaan.
  - Löysää olkahihnoja, irrota selkäpehmusteet tarranauhasta ja aseta pehmusteet haluamaasi asentoon, vedä sitten olkahihnoista kiinnittäaksesi pehmusteet reppuusi (kuva F2).

**HUOMAA:** Selkäpehmusteiden vaakasorat viivat auttavat säätämään molemmat pehmusteet samalle tasolle.

- Irrota lannerangan pehmuste tarranauhasta ja aseta pehmuste haluamaasi asentoon (kuva F3).
3. Työnnä kätesi valjaiden läpi tukemaan puhallinta selässäsi. Säädä rintahihnat tilapäisesti mukavaan asentoon ja varmista, että oikean käden kyynärpääsi on sopivassa asennossa, kun pidät ohjaukskavasta kiinni (kuva F4).
  4. Napsauta vyötärösolkea ja säädä vyötäröhihnoja sellaiseen pituuteen, että valjaat on kunnolla tuettu vyötäröön. Jos vyötärön solkea on vaikea napsauttaa, säädä molemmilla puolilla olevia kahta sivuhihnaa sen helpottamiseksi (kuva F5).

**HUOMAA:** Valjaat eivät saa olla liian korkealla selässä; niiden tulee olla lähempänä lannetta kuin olkapäitä.

**VAROITUS:** Hätätilanteessa vapauta vyötärön solki

välittömästi valjaiden poistamiseksi. Tämä on nopea vapautusmenetelmä.

- Sääda rintahihnat uudelleen turvallisuuden ja mukavuuden takia. Varmista, että valjaat istuvat tukevasti selässäsi, vyötäröhihna tukee niiden painoa, eikä ne siirry, kun liikut (kuva F6).
- Työnnä hihnojen mahdollinen ylimääräinen pituus kuminauhaan (kuva F7).
- Turvallisen käytön varmistamiseksi on useita valoa heijastavia nauhoja. Varmista, etteä peitä valoa heijastavia nauhoja käytön aikana (kuva F8).
- Voit irrottaa valjaat selästä** avaamalla vyötärön soljen painamalla, laske sitten puhallin alas (kuva F9).

F1-1	Hihnat	F1-2	Reppulevy
F2-1	Olkahihnat	F2-2	Vaakasuurat viivat
F3-1	Lannerangan pehmuste	F4-1	Rintahihnat
F5-1	Vyötärön hihnat	F5-2	Vyötärön solki
F5-3	Sivuhihnat	F7-1	Kuminauha
F7-2	Hihnan lisäpituus	F8-1	Valoa heijastavat nauhat

FI

## Ohjaukshavan säätäminen

- Vapauta pikavapautusvipu siirtääksesi ohjaukshavaa eteen- tai taaksepäin tarpeen mukaan (kuvat G1 ja G2) ja kiinnitä sitten pikavapautusvipu kiinnittääkseen ohjaukshavan paikalleen.
- Voit myös kiertää kahvaa tarpeen mukaan käyttömukavuuden lisäämiseksi (kuva G3).

G1-1	Ohjaukshava	G1-2	Pikavapautusvipu
------	-------------	------	------------------

## Ohjaukshavan putken pituuden säätäminen (Kuva H1, H2)

- Vapauta pikavapautusvipu (kuva H1).
- Siirrä puhaltimen putki mukavaan käyttöasentoon säätöalueella (kuva H2).
- Kiinnitä pikavapautusvipu kiinnittääkseen puhaltimen putken paikalleen (kuva H2).

H1-1	Pikavapautusvipu	H2-1	Puhaltimen putki
H2-2	Säätöalue		

## PUHALTIMEN KÄYNNISTYS/SAMMUTUS

**HUOMAA:** Puhallin ei ehkä käynnisty kunnolla, jos akun

80

AKKUKÄYTTÖINEN 56 VOLTIN SELÄSSÄ KANNETTAVA LITIUUM-IONIPUHALLIN — LBPX1100

tai puhaltimen lämpötila on -15 °C tai sen alle. Tässä tapauksessa irrota akku puhaltimesta ja anna akun ja puhaltimen lämmentä sisätiloissa vähintään 10 minuuttia. Asenna akku takaisin paikalleen ja yritä uudelleen.

## Ilman nopeusliipaisin (kuvat I1, I2)

- Kytke puhallin päälle painamalla ilman nopeusliipaisinta, jolloin LCD-näytössä näkyy akkutehomittari, akkukuvake ja ilmannopeuden merkkivalo.

**HUOMAA:** 1 akkutehon LED-valo vilkkuu LCD-näytössä, kun akun varaus on alhainen.

- Puhaltimen ilman nopeutta säädetään portaattomalla nopeuden liipaisimella. Painamalla liipaisinta enemmän saat nopeamman puhallusnopeuden, painamalla liipaisinta vähemmän saat hitaamman puhallusnopeuden. Sääda nopeus tehtävän työn mukaan. Vastaava ilmannopeuden merkkivalo näkyy LCD-näytössä.
- Vapauta ilman nopeusliipaisin puhaltimen sammuttamiseksi. LCD-näyttö sammuu tietyn ajan kuluessa liipaisimen vapauttamisesta.

**HUOMAA:** Jos käytetään alle 4 Ah:n akkua, ilmanopeus on rajoitettu vain kahteen palkkiin.

## Turbo-tila

Kun ilman nopeusliipaisinta pidetään painettuna, paina turbopainiketta ilmavirran nostamiseksi maksiminopeuteen (kuva I1). Turbo-merkkivalo ja tuulettimen kuvake ilmestyvät LCD-näyttöön (kuva I3).

**HUOMAA:** Puhallin palaa edelliseen nopeuteen, kun turbo-painike vapautetaan.

## Nopeuden lukitustila

Nopeuslukitusta voidaan käyttää puhaltimen käyttämiseen ilman, että ilman nopeusliipaisinta painetaan jatkuvasti.

- Paina ilman nopeusliipaisinta, kunnes saavutat haluamasi nopeuden (kuva I1).
- Paina nopeuden lukituspainiketta. Nopeuslukon kuvake syttyy LCD-näyttöön (kuva I4).
- Vapauta ilman nopeusliipaisin, jolloin puhallin pysyy käynnissä "halutulla" nopeudella.

**HUOMAA:** Painamalla turbo-painiketta nopeuden lukitustilassa voit lukita ilman nopeuden maksimitasolle. Puhallin jatkaa aiemmalla nopeudella, kun painat turbo-painiketta vielä kerran.

- Voit vapauttaa nopeuslukon** painamalla nopeuden lukituspainiketta uudelleen. Nopeuden lukituskuvake



katoaa LCD-näytöstä ja puhallin sammuu.

I1-1	Turbo-painike	I1-2	Nopeuden lukituspainike
I1-3	Ilman nopeusliipaisin	I2-1	Akkutehomittari
I2-2	Ilmanopeuden merkivalo	I2-3	Akkukuvake
I3-1	Tuuletinkuvake	I3-2	Turbo-merkkivalo
I4-1	Nopeuden lukituskuvake		

### LED-VALO (kuva J)

LED-valo on ohjauksikahvan etuosassa. Se valaisee parantaen näkyvyyttä.

Paina LED-valopainiketta kerran sytyttääksesi valon, paina sitä uudelleen sammuttaaksesi valon. Se myös sammuu automaattisesti noin 5 minuutin puhaltimen käyttämättömyyden jälkeen.

J-1	LED-valopainike	J-2	LED-valo
-----	-----------------	-----	----------

### VIESTINTÄTEKNIikka

Jos haluat tietoja yhdistettyjen tuotteiden ja palveluiden koko valikoimasta, mukaan lukien yhdistämishojeet, skannaa alla oleva QR-koodi tai käy osoitteessa

[www.egopowerplus.eu/connect](http://www.egopowerplus.eu/connect).



### VINKKEJÄ PUHALTIMEN KÄYTTÖÖN

- Puhalla irtoaineskasan ympäriltä, jotta et levitä irtoainesta ympäriinsä. Älä ikinä puhalla kasan keskelle.
- Rajoita käytössä olevien laitteiden määrää, jos äänentasoa on alennettava.
- Käytä haravia ja luotia irtoaineksen irrottamiseksi ennen puhaltamista. Kostuta pintoja hieman pölyisissä olosuhteissa, jos vettä on saatavilla.
- Varo lapsia, lemmikkejä, avoimia ikkunoita tai juuri pestyjä autoja ja pidä huolta, että puhallat irtoaineksen turvallisesti pois.
- Kun olet käyttänyt puhaltimia tai muita laitteita, siivoa jälkesi! Hävitä irtoaines oikeaoppisesti.

## HUOLTAMINEN

**VAROITUS:** Käytä huollon yhteydessä vain identtisiä varaosia. Muiden osien käyttö saattaa aiheuttaa vaaran tai laitteen vaurioitumisen. Pätevän huoltoteknikon tulee suorittaa kaikki korjaukset, jotta voidaan taata tuotteen turvallinen ja luotettava käyttö.

**VAROITUS:** Poista akku aina tuotteesta, kun puhdistat sitä tai teet huoltotoimenpiteitä. Näin vältät vakavat henkilövahingot.

### YLEINEN KUNNOSSAPITO

Vältä liuotainaineiden käyttöä, kun puhdistat muoviosia. Useimmat muovit ovat herkkiä vaurioitumaan erilaisista kaupallisista liuottimista ja voivat vaurioitua niiden käytöstä. Poista lika, pöly, öljy, rasva ym. puhtaalla liinalla.

**VAROITUS:** Älä koskaan anna jarrunesteiden, bensiinin, öljypohjaisten tuotteiden, irrotusöljyjen ym. päästä kosketuksiin muoviosien kanssa. Kemikaalit voivat vaurioittaa, heikentää tai tuhota muovin, mikä voi johtaa vakavaan henkilövahinkoon.

**VAROITUS:** Oikosulun aiheuttaman tulipalon, henkilövahingon ja tuotevaurion riskin vähentämiseksi älä koskaan upota konetta, akkua tai laturia nesteeseen tai anna nesteen virrata niiden sisälle. Syövyttävät tai johtavat nesteet, kuten merivesi, tietyt teollisuuskemikaalit ja valkaisuaineet tai valkaisuainetta sisältävät tuotteet jne., voivat aiheuttaa oikosulun.

### SÄILYTYS

- Irrota akku (akut) puhaltimesta.
- Puhdista kaikki vierasperäiset materiaalit puhaltimen ilmanottoaukoista.
- Napsauta pystysäilytyksen solkea kiinnittäaksesi puhaltimen putken akkukoteloon (kuva K).
- Säilytä suljetussa paikassa, johon lapset eivät pääse. Pidä poissa syövyttävien aineiden, kuten puutarhakemikaalien ja jäänestosuolojen, läheltä.

K-1	Pystysäilytyksen solki
-----	------------------------

### YMPÄRISTÖNSUOJELU



Älä hävitä sähkölaitteita, käytettyjä akkuja tai laturia kotitalousjätteen seassa! Vie tämä tuote hyväksytyyn kierrätyspaikkaan tai anna se erilliseen keräilyyn. Sähkötyökalu tulee palauttaa asianmukaiseen ympäristöstävälliseen kierrätyslaitokseen.

## VIANMÄÄRITYS

ONGELMA	SYY	RATKAISU
Puhallin ei toimi.	<ul style="list-style-type: none"> <li>Akkua ei ole liitetty puhaltimeen.</li> <li>Puhaltimen ja akun välillä ei ole sähköliitintää.</li> <li>Akun varaus on tyhjentynyt.</li> <li>Akku tai puhallin on ylikuumentunut.</li> <li>Vaurioitunut ilman nopeusliipaisin.</li> <li>Akku tai puhallin on liian kylmä.</li> </ul>	<ul style="list-style-type: none"> <li>Liitä akku puhaltimeen.</li> <li>Poista akku, tarkista koskettimet ja asenna akku uudelleen paikalleen.</li> <li>Lataa akku.</li> <li>Jäähdytä akkua ja puhallinta, kunnes niiden lämpötila on alle 67 °C.</li> <li>Ota yhteyttä EGO:n asiakaspalveluun korjausta varten.</li> <li>Irrota akku, anna akun ja puhaltimen lämmitä sisätiloissa. On suositeltavaa ladata akku täyteen ja käynnistää puhallin alhaisella nopeudella ilman Turbo-tilan aktivointia.</li> </ul>
Kun ilman nopeusliipaisinta painetaan, LCD-näytössä näkyy vain kaksi alinta ilman nopeuskuvaketta.	<ul style="list-style-type: none"> <li>Alhaisen Ah:n akku käytössä.</li> </ul>	<ul style="list-style-type: none"> <li>Käytä 4,0 Ah:n tai suuremman tehon akkuja.</li> </ul>
Nopeuden lukitustilaa ei voi kytkeä päälle tai pois päältä.	<ul style="list-style-type: none"> <li>Vaurioitunut nopeuden lukituspainike.</li> </ul>	<ul style="list-style-type: none"> <li>Ota yhteyttä EGO:n asiakaspalveluun korjausta varten.</li> </ul>
Ilman nopeus hidastuu huomattavasti.	<ul style="list-style-type: none"> <li>Akun varaustaso on alhainen.</li> <li>Moottorin tuulettimen liiallinen kuluminen.</li> <li>Ilmanottoaukko on irtoaineksen tukkima.</li> </ul>	<ul style="list-style-type: none"> <li>Lataa akku.</li> <li>Ota yhteyttä EGO-huoltoon korjausta varten.</li> <li>Poista akku ja poista sitten roskat.</li> </ul>
LCD-näyttö ei toimi kunnolla.	<ul style="list-style-type: none"> <li>LCD-näyttö tai johtoliitintä on vaurioitunut.</li> </ul>	<ul style="list-style-type: none"> <li>Ota yhteyttä EGO-huoltoon korjausta varten.</li> </ul>
1 akkutehon LED-valo vilkkuu LCD-näytössä.	<ul style="list-style-type: none"> <li>Akun varaustaso on alhainen.</li> </ul>	<ul style="list-style-type: none"> <li>Lataa akku.</li> </ul>

## TAKUU

### EGON TAKUUEHDOT

Verkkosivustolta [egopowerplus.eu](http://egopowerplus.eu) löydät EGO:n takuukäytännön täydelliset ehdot.

## LES ALLE INSTRUKSJONER!



### LES BRUKERMANUALEN

**⚠ ADVARSEL:** For å sikre sikkerhet og pålitelighet bør alle reparasjoner utføres av en kvalifisert servicetekniker.

## SIKKERHETSSYMBOLER

Hensikten med sikkerhetssymboler er å tiltrekke deg oppmerksomheten mot mulige farer. Sikkerhetssymbolene og forklaringene med dem fortjener nøye oppmerksomhet og forståelse. Symbolvarslene eliminerer ikke i seg selv noen fare. Instruksjonene og advarslene de gir, erstatter ikke riktige tiltak for å forhindre ulykker.

**⚠ ADVARSEL:** Sørg for å lese og forstå alle sikkerhetsinstruksjonene i denne brukerhåndboken, inkludert alle sikkerhetsvarselssymboler som "FARE", "ADVARSEL" og "FORSIKTIG" før du bruker denne maskinen. Unnlattelse av å følge alle instruksjonene nedenfor kan føre til elektrisk støt, brann og/eller alvorlig personskade.

## SYMBOLBETYDELSE

**⚠ SIKKERHETSSYMBOL:** Indikerer FARE, ADVARSEL eller FORSIKTIG, kan brukes sammen med andre symboler eller piktogrammer.

NO

## SIKKERHETSINSTRUKSJONER

Denne siden viser og beskriver sikkerhetssymboler som kan vises på dette produktet. Les, forstå og følg alle instruksjonene på maskinen før du prøver å montere og bruke den.



Sikkerhetsvarsel



For å redusere risikoen for skade, må brukeren lese bruksanvisningen.



Bruk alltid hørselsvern når du bruker dette produktet.



Bruk alltid vernebriller eller vernebriller med sidebeskyttelse, og full ansiktsskjerm når du bruker dette produktet.



Hold alle tilskuere minst 15 m unna.



Garantert lydeffektnivå. Støy i omgivelsene er i henhold til EUs direktiv.



Elektrisk avfall skal ikke kastes sammen med husholdningsavfall. Send til en autorisert gjenvinner.



Dette produktet er i samsvar med gjeldende EU-direktiver.



Likestrøm



Britisk samsvar vurdert



Ikke stirr på driftslampen.



Bluetooth® symbol

IPX5

Beskyttelse mot vannstråler

kg

Kilogram

V

Spenning

m<sup>3</sup>/h

Kubikkmeter i timen

°C

Celsius


m/s

Meter per sekund

N

Newton

## SPESIFIKASJONER

Spenning	56 V 
Maksimalt luftvolum	1870 m <sup>3</sup> /t
Maksimal lufthastighet	85 m/s
Maksimal blåsekraft	36 N
Bluetooth-driftsfrekvensbånd	2400-2438 MHz
Bluetooth Maksimal sendeeffekt	5 dBm
Vekt (uten batteripakke)	9,6 kg
Anbefalt driftstemperatur	-15°C - 40°C
Anbefalt lagringstemperatur	-20°C - 70°C
Målt lydeffektnivå L <sub>WA</sub>	96 dB(A) K=1,4 dB(A)
Lydtryknivå ved brukerens øre L <sub>PA</sub>	83 dB(A) K=3 dB(A)
Garantert lydeffektnivå L <sub>WA</sub> (målt i henhold til 2000/14/EF)	98 dB(A)
Vibrasjon a <sub>v</sub>	0,25 m/s <sup>2</sup> K=1,5 m/s <sup>2</sup>

- Den deklarerte totale vibrasjonsverdien er målt i samsvar med en standard testmetode og kan brukes til å sammenligne ett verktøy med et annet;
- Den deklarerte totale vibrasjonsverdien kan også brukes i en foreløpig vurdering av eksponering.

**MERKNAD:** Vibrasjonsutslippet under faktisk bruk av elektroverktøyet kan avvike fra den deklarerte verdien som verktøyet brukes i; For å beskytte brukeren, bør brukeren bruke hansker og hørselsvern under de faktiske bruksforholdene.

## PAKKELISTE (FIG. A1)

### BESKRIVELSE

#### KJENN LØVBLÅSEREN DIN (Fig. A1)

1. Justerbar støttese
2. Oppreist oppbevaringsspenne

3. Ryggsekkplate
4. Kontrollhåndtak
5. Avsmalnende dyse
6. Blåserør
7. Rørklemme
8. Kontrollhåndtaksrør
9. Kontrollhåndtaks-klemme
10. Belgklemme
11. Belg
12. Luftinntak
13. Hjelpehåndtak
14. Elektriske kontakter
15. Klinke
16. Batteriutløserknapper
17. Håndtak
18. Lufthastighetsutløser
19. Knapp for hastighetslås
20. LED lys
21. LCD skjerm
22. LED-lysknapp
23. Turbo-knapp
24. Hurtigutløserhendel
25. Bluetooth-indikator
26. Drivstoffmåler
27. Fan-ikon
28. Turbo indikator
29. Lufthastighetsindikator
30. Ikon for hastighetslås
31. Batteriikon

## MONTERING

**⚠ ADVARSEL:** Hvis noen av delene er skadet eller mangler, må du ikke bruke dette produktet før delene er byttet. Bruk av dette produktet dersom deler er skadet eller mangler, kan føre til alvorlige personskader.

**⚠ ADVARSEL:** Ikke forsøk å modifisere produktet eller lage tilbehør som ikke er anbefalt for bruk med denne blåseren. Enhver endring eller endring er misbruk og kan føre til en farlig tilstand som kan føre til alvorlig personskade.

**⚠ ADVARSEL:** For å forhindre utilsiktet start som kan

forårsake alvorlig personskade, fjern alltid batteriene fra verktøyet når du monterer deler.

## SAMLING AV BLØSERØRENE

### Koble kontrollhåndtaksrøret til belgen

1. For enkel montering, plasser blåseren med støtteselen vendt opp som vist i fig. B1.
2. Løsne og fjern de to skruene fra den ene siden av belgklemmen, åpne belgklemmen delvis, men pass på at tappen på belgens kant er helt i inngrep i sporet i klemmen (fig. B2).
3. Sett den bakre enden av kontrollhåndtaksrøret inn i belgen til den bakre endeflaten kommer i kontakt med belgklemmens endeflate (fig. B3).
4. Belgklemmen kan lukkes helt når kontrollhåndtaksrøret er koblet til belgen på riktig måte. Stram skruene til belgklemmen godt til (fig. B4).

B1-1	Justerbar støttesele	B1-2	Belg
B2-1	Skruer	B2-2	Spor
B2-3	Tapp	B2-4	Belgklemme
B3-1	Kontrollhåndtaksrør	B3-2	Bakre ende
B3-3	Overflate bakre ende	B3-4	Belgklemmeoverflate

### Koble blåserøret til kontrollhåndtaksrøret

1. Løsne og fjern hurtigutløserpakken og vingemutteren fra rørklemmeenhetsen som er festet til vifterøret (fig. C1).
2. Rett inn sporet i blåserøret med ribben på kontrollhåndtaksrøret, skyv blåserøret over kontrollhåndtaksrøret så langt det går (fig. C2).
3. Sett inn tappen til hurtigutløsningsspakken og lukk spaken på rørklemmen (fig. C3).
4. Stram til vingemutteren for å feste rørklemmen (fig. C4).

C1-1	Blåserør	C1-2	Rørklemme
C1-3	Hurtigutløserhendel	C1-4	Vingemutter
C2-1	Spor til blåserør	C2-2	Ribbe av kontrollhåndtaksrør

### Koble den koniske dysen til blåserøret

1. Juster sporet i dysen med låsen på røret. Skyv

munnstykket over røret til det klikker på plass (fig. D1).

2. For å fjerne dysen, trykk og hold inne dysefrigjøringsknappen for å frigjøre låsen, og trekk deretter dysen rett fra blåserøret (fig. D2).

D1-1	Dyseutløserknapp	D1-2	Klinke
------	------------------	------	--------

## OPERASJON

**⚠ ADVARSEL:** Ikke føl deg så trygg med dette verktøyet at du blir skjodesløs. Husk at et uforsiktig tiendedel av et sekund er nok til å forårsake alvorlige skader.

**⚠ ADVARSEL:** Ikke bruk tilbehør eller deler som ikke er anbefalt av produsenten av produktet. Bruk av tilbehør eller deler som ikke anbefales, kan medføre alvorlige personskader.

**⚠ ADVARSEL:** Fjern alltid batteriene fra produktet når du setter sammen deler, gjør justeringer, rengjør eller når du ikke er i bruk. Fjerning av batteriene vil forhindre utilsikket start som kan forårsake alvorlig personskade.

Før du bruker produktet, skal du kontrollere om det har skader, mangler eller løse deler, for eksempel skruer, muttere, bolter, hetter, osv. Stram alle festemidler og hetter godt og ikke bruk dette produktet før alle manglende eller skadede deler er skiftet ut.

## APPLIKASJON

Du kan bruke dette produktet til formålene som er oppført nedenfor:

- Fjerning av løv og diverse hageavfall fra plener og mulchbed.
- Rydding av harde overflater, som innkjørsler og gangveier.
- Holde terrasser og innkjørsler frie for løv og barnåler.

**MERKNAD:** Verktøyet skal bare brukes til sitt foreskrevne formål. Enhver annen bruk anses å være et tilfelle av misbruk.

## FESTE/LØSNE BATTERIPAKKEN

Bruk bare med EGOs batteripakker og ladere oppført i fig. A2.

Se bruksanvisningene for tilsvarende batteripakker og ladere for mer informasjon.

**Lad helt opp før første gangs bruk.**

**NO**

**MERK:** For best ytelse anbefaler vi bruk av EGO 56V-batteripakken BA3360T (6,0 Ah) eller andre EGO 56V-batteripakker med høyere Ah-klasfisering.

Blåseren har to aktive batteriporter, plassert på venstre og høyre side av batteriportuset.

**MERK:** Viften kan drives av ett eller to batterier. Ved å bruke to batterier får du lengre driftstid og effektivt strømforbruk administrert av PEAK POWER™-teknologi.

Når batteripakkene settes inn i de tilsvarende batteriportene merket med 1 eller 2 på ryggsekkplaten, og blåseren er slått på, vil det tilsvarende batteriikonet lyse på LCD-skjermen (fig. E1).

## Å feste (fig. E2)

Juster batteriribbene med monteringssporene i ett og trykk batteripakken ned til du hører et "klikk". Fest det andre batteriet.

NO

## Å løсне

Trykk inn batteriutløserknappen og trekk ut batteripakken.

**⚠ ADVARSEL:** Vær alltid oppmerksom på plasseringen av føttene, barna eller kjæledyrene dine når du trykker på batteriutløserknappen. Alvorlig skade kan oppstå hvis batteriet faller. Fjern ALDRI batteriet når du er på et høyt sted.

E1-1	Batteriportnummer	E1-2	LCD skjerm
E1-3	Batteriikon	E2-1	Batterislisse
E2-2	Monteringsspor	E2-3	Batteriutløserknapp

## Plassering av ryggsekkblåseren

**⚠ ADVARSEL:** Kle deg ordentlig for å redusere risikoen for skade når du bruker maskinen. Ikke bruk løse klær eller smykker. Bruk øye- og øre-/hørselsvern. Bruk tunge, lange bukser, støvler og hansker. Ikke bruk korte bukser eller sandaler, og ikke gå barbert.

Før du bruker ryggsekkblåseren, sørg for at operatøren har på seg øyevern og riktige klær og kan opprettholde et sikkert og balansert fotfeste.

## For å justere støtteselen

- Trekk i de to ryggsekkplatestroppene for å sikre at selen er godt festet til ryggsekkplaten (fig. F1).
- Juster ryggputene og korsryggputen for din komfort om nødvendig.
  - Løse skulderstroppene, trekk ryggputene av borrelåsen og flytt putene til ønsket posisjon, og

trekk deretter i skulderstroppene for å feste putene til sekken din (fig. F2).

**MERK:** De horisontale linjene på ryggputene hjelper begge putene å justeres på samme nivå.

- Trekk lumbalputen av borrelåsen og flytt puten til ønsket posisjon (fig. F3).
- Sett armene gjennom selen for å støtte blåseren på ryggen. Juster bryststroppene midlertidig til komfortable posisjoner, og pass på at albuen på høyre arm er komfortabel når du holder kontrollhåndtaket (fig. F4).
  - Klikk på midjespenningen og juster lengden på midjestroppene slik at selen støttes sikkert av midjen din. Hvis midjespenningen er vanskelig å smekke, justerer du de to sidestroppene på hver side for å gjøre det enkelt (fig. F5).

**MERK:** Selen skal ikke sitte for høyt på ryggen; den bør plasseres nærmere hoftene enn til skuldrene.

**⚠ ADVARSEL:** Når en nødsituasjon oppstår, løsne midjespenningen umiddelbart for å ta av selen. Dette er en hurtigfrigjøringsmetode.

- Juster bryststroppene på nytt for sikkerhet og komfort. Sørg for at selen sitter trygt på ryggen, med vekten støttet av midjestroppen, og uten overflødig bevegelse når du beveger deg (fig. F6).
- Sett eventuell ekstra lengde av stroppene inn i strikken (fig. F7).
- Det er flere lysreflekterende striper for sikker drift. Pass på at du ikke dekker de lysreflekterende stripene under drift (fig. F8).
- For å løсне selen fra ryggen,** trykker du bare på midjespenningen for å frigjøre den og senker viften (fig. F9).

F1-1	Stropper	F1-2	Ryggsekkplate
F2-1	Skulderstropper	F2-2	Horisontale linjer
F3-1	Tømmerpute	F4-1	Bryststropper
F5-1	Midjestropper	F5-2	Midjespenne
F5-3	Sidestropper	F7-1	Elastisk
F7-2	Ekstra lengde på stroppen	F8-1	Lysreflekterende striper

## For å justere kontrollhåndtaket

- Slipp hurtigutløserpaken for å flytte kontrollhåndtaket forover eller bakover etter

behov (fig. G1 og G2) og koble deretter inn hurtigtølerspaken for å feste kontrollhåndtaket på plass.

2. Du kan også rotere håndtaket etter behov for komfort (fig. G3).

G1-1	Kontrollhåndtak	G1-2	Hurtigtølerhendel
------	-----------------	------	-------------------

### For å justere lengden på kontrollhåndtaksrøret (Fig. H1, H2)

1. Slipp hurtigtølerspaken (fig. H1).
2. Flytt vifterøret til en komfortabel betjeningsposisjon innenfor justeringssone (fig. H2).
3. Aktiver hurtigtølerspaken for å feste vifterøret på plass (fig. H2).

H1-1	Hurtigtølerhendel	H2-1	Blåserør
H2-2	Justeringssone		

### STARTE/STOPPE BLÅSEREN

**MERK:** Det kan hende at viften ikke starter ordentlig hvis batteripakken eller viftetemperaturen er  $-15^{\circ}\text{C}$  eller lavere. I dette tilfellet, fjern batteripakken fra viften, la batteripakken og viften varmes opp innendørs i 10 minutter eller lenger. Sett inn batteripakken på nytt og prøv igjen.

### Lufthastighetsutløser (fig. I1, I2)

- Trykk på lufthastighetsutløseren for å slå på viften, så vil LCD-skjermen vise drivstoffmåleren, batteriikonet og lufthastighetsindikatoren.

**MERK:** 1 LED på drivstoffmåleren på LCD-skjermen blinker når batteriladingen er lav.

- Blåsehastigheten til løvblåseren kontrolleres av den regulerbare utløseren for lufthastighet. Jo mer du trykker på utløseren, desto høyere blåsehastighet får du. Mindre trykk på utløseren resulterer i lavere blåsehastighet. Juster hastigheten for å passe oppgaven. Den tilsvarende lufthastighetsindikatoren vises på LCD-skjermen.
- Slipp lufthastighetsutløseren for å slå av viften. LCD-skjermen vil slå seg av innen en viss tid etter at utløseren slippes.

**MERK:** Hvis det brukes en batteripakke under 4 Ah, er lufthastigheten begrenset til kun to barer.

### Turbo-modus

Mens lufthastighetsutløseren er trykket inn og holdt, trykk på turboknappen for å øke luftstrømmen til maksimal hastighet (fig. I1). Både turboindikatoren og vifteikonet vil lyse på LCD-skjermen (fig. I3).

**MERK:** Viften går tilbake til forrige hastighet når turboknappen slippes.

### Speed Lock-modus

Hastighetslåsen kan brukes til å betjene viften uten å trykke kontinuerlig på lufthastighetsutløseren.

1. Trykk inn lufthastighetsutløseren til du når ønsket hastighet (fig. I1).
2. Trykk på hastighetslåsknappen. Hastighetslåseikonet vil lyse på LCD-skjermen (fig. I4).
3. Slipp deretter lufthastighetsutløseren, viften vil fortsette å gå med "ønsket" hastighet.

**MERK:** Ved å trykke på turboknappen i hastighetslåsemodus kan lufthastigheten låses på maksimalt nivå. Viften vil gjenoppta forrige hastighet når du trykker på turboknappen en gang til.

4. **For å frigjøre hastighetslåsen**, trykk på hastighetslåsknappen igjen. Hastighetslåseikonet forsvinner fra LCD-skjermen og viften slås av.

I1-1	Turbo-knapp	I1-2	Knapp for hastighetslås
I1-3	Lufthastighetsutløser	I2-1	Drivstoffmåler
I2-2	Lufthastighetsindikator	I2-3	Batteriikon
I3-1	Fan-ikon	I3-2	Turbo indikator
I4-1	Ikon for hastighetslås		

### LED-LYS (Fig. J)

LED-lyset er plassert foran på kontrollhåndtaket. Den gir belysning for økt synlighet.

Trykk på LED-lysknappen én gang for å slå på lyset, trykk på den igjen for å slå av lyset. Den vil også slå seg av automatisk etter ca. 5 minutter med inaktivitet.

J-1	LED-lysknapp	J-2	LED lys
-----	--------------	-----	---------

### KOMMUNIKASJONSTEKNOLOGI

For informasjon om hele utvalget vårt av tilkoblede produkter og tjenester, inkludert tilkoblingsinstruksjoner, kan du skanne QR-koden nedenfor eller besøke

[www.egopowerplus.eu/connect](http://www.egopowerplus.eu/connect).

NO



## RÅD OG TIPS OM BRUKEN AV BLÅSEREN

- For å unngå å spre rusk utover, blåser du rundt ytterkantene av ruskhauger. Unngå å blåse rett inn i midten av en haug.
- For å redusere lydnivået må antall utstyrsdeler som brukes, til enhver tid begrenses.
- Bruk raker og feiekoster for å løse rusk før du blåser. I støvete omgivelser skal overflater fuktes lett hvis det er vann tilgjengelig.
- Se opp for barn, dyr, åpne vinduer eller nyskadede biler, og blås rusk unna i en trygg retning.
- Etter å ha brukt blåser eller annet utstyr, må du rydde opp! Avhend avfall på riktig måte.

NO

## VEDLIKEHOLD

**⚠ ADVARSEL:** Når verktøyet trenger service, må bare identiske reservedeler benyttes. Bruk av andre deler kan skape fare eller forårsake produktskade. For å sikre trygg og pålitelig bruk må alle reparasjoner utføres av en kvalifisert fagperson.

**⚠ ADVARSEL:** For å unngå alvorlig personskade, fjern alltid batteriet fra produktet når du rengjør eller utfører vedlikehold.

### GENERELT VEDLIKEHOLD

Unngå bruk av løsemidler når plastdeler skal rengjøres. De fleste plasttyper kan ta skade av ulike typer løsemidler som er i salg, og kan dermed bli ødelagt. Bruk en ren klut for å fjerne skitt, støv, olje, fett, osv.

**⚠ ADVARSEL:** La ikke på noe tidspunkt bremsevæsker, bensin, petroleumsbaserte produkter, penetrerende oljer osv. komme i kontakt med plastdeler. Kjemikalier kan skade, svekke eller ødelegge plast som kan føre til alvorlig personskade.

**⚠ ADVARSEL:** For å redusere risikoen for brann, personskade og produktskade på grunn av kortslutning, må du aldri senke maskinen, batteripakken eller laderen i væske eller la væske strømme inn i dem. Etsende eller ledende væsker, som sjøvann, visse industrielle kjemikalier, og blekemiddel eller blekemiddelholdige

produkter osv., kan forårsake kortslutning.

## OPPBEVARING

- Fjern batteripakken(e) fra viften.
- Rengjør alle fremmedlegemer fra luftinntakene til viften.
- Klikk den stående oppbevaringsspenne for å hekte blåserøret på batteriporthuset (fig. K).
- Oppbevares på et innelukket sted som er utilgjengelig for barn. Hold produktet på avstand fra etsende midler som hagekjemikalier og veisalt.

K-1 Oppreist oppbevaringsspenne

## BESKYTTER MILJØET



Elektrisk utstyr, brukte batterier og batteriladere må ikke kastes i husholdningsavfallet! Ta med dette produktet til autorisert gjenvinning, og gjør det tilgjengelig for separat innsamling. Elektriske verktøy må returneres til et miljøvennlig resirkuleringsanlegg.



## FEILSØKING

PROBLEM	ÅRSAK	LØSNING
Blåseren virker ikke.	<ul style="list-style-type: none"> <li>■ Batteripakken er ikke festet til viften.</li> <li>■ Det er ingen elektrisk kontakt mellom viften og batteriet.</li> <li>■ Batteripakkens ladning er oppbrukt.</li> <li>■ Batteripakken eller blåseren er for varm.</li> <li>■ Skadet lufthastighetsutløser.</li> <li>■ Batteripakken eller blåseren er for kald.</li> </ul>	<ul style="list-style-type: none"> <li>■ Fest batteripakken til viften.</li> <li>■ Ta ut batteripakken, sjekk kontaktene og sett inn batteripakken på nytt.</li> <li>■ Lad batteripakken.</li> <li>■ Avkjøl batteripakken og viften til temperaturen faller under 67°C.</li> <li>■ Kontakt EGO kundeservice for reparasjon.</li> <li>■ Ta ut batteripakken, la batteripakken og viften varmes opp innendørs. Det anbefales å lade batteripakken helt og starte viften på lav hastighet uten å aktivere Turbo-modus.</li> </ul>
Når lufthastighetsutløseren er trykket inn, vises bare de to nederste lufthastighetsikonene på LCD-skjermen.	<ul style="list-style-type: none"> <li>■ Lav Ah batteripakke brukt.</li> </ul>	<ul style="list-style-type: none"> <li>■ Bruk batteripakker på 4,0 Ah eller høyere.</li> </ul>
Hastighetslåsmodus kan ikke slås på eller av.	<ul style="list-style-type: none"> <li>■ Skadet hastighetslåsknapp.</li> </ul>	<ul style="list-style-type: none"> <li>■ Kontakt EGO kundeservice for reparasjon.</li> </ul>
Lufthastigheten er merkbart redusert.	<ul style="list-style-type: none"> <li>■ Batteriladingen er lav.</li> <li>■ Overdreven slitasje på motorvifte.</li> <li>■ Luftinntaket er blokkert av rusk.</li> </ul>	<ul style="list-style-type: none"> <li>■ Lad batteripakken.</li> <li>■ Kontakt EGO-service for reparasjon.</li> <li>■ Fjern batteripakken, og fjern deretter rusk.</li> </ul>
LCD-skjermen fungerer ikke som den skal.	<ul style="list-style-type: none"> <li>■ LCD-skjerm eller ledningsforbindelse er skadet.</li> </ul>	<ul style="list-style-type: none"> <li>■ Kontakt EGO-service for reparasjon.</li> </ul>
1 LED på drivstoffmåleren på LCD-skjermen blinker.	<ul style="list-style-type: none"> <li>■ Batteriladingen er lav.</li> </ul>	<ul style="list-style-type: none"> <li>■ Lad batteripakken.</li> </ul>

**NO**

## GARANTI

### EGO GARANTIPOLITIK

B Besøk nettstedet [egopowerplus.eu](http://egopowerplus.eu) for fullstendige vilkår og betingelser for EGOs garantipolicy.

## ПРОЧИТАЙТЕ ВСЕ ИНСТРУКЦИИ!



**ПРОЧИТАЙТЕ РУКОВОДСТВО  
ПОЛЬЗОВАТЕЛЯ**

**⚠ ПРЕДУПРЕЖДЕНИЕ.** Для обеспечения безопасности и надежности устройства его ремонт должен выполнять квалифицированный специалист.

## СИМВОЛЫ БЕЗОПАСНОСТИ

Символы безопасности предназначены для привлечения внимания к возможным рискам. Символы безопасности, а также пояснения к ним, требуют особого внимания и понимания. Предупреждения по технике безопасности сами по себе не устраняют опасность. Инструкции и предупреждения не заменяют соответствующие меры по предотвращению несчастных случаев.

**⚠ ПРЕДУПРЕЖДЕНИЕ.** Перед использованием устройства внимательно прочитайте все инструкции в данном руководстве пользователя и ознакомьтесь с предупреждающими символами безопасности, такими как «ОПАСНОСТЬ», «ПРЕДУПРЕЖДЕНИЕ» и «ВНИМАНИЕ». Несоблюдение всех приведенных ниже инструкций может привести к поражению электрическим током, возникновению пожара и (или) получению серьезных травм.

**RU**

## УСЛОВНЫЕ ОБОЗНАЧЕНИЯ

**⚠ ПРЕДУПРЕЖДАЮЩИЙ СИМВОЛ.** Означает **ОПАСНОСТЬ**, **ПРЕДУПРЕЖДЕНИЕ** и **ВНИМАНИЕ** или может использоваться с другими символами или изображениями.

## ИНСТРУКЦИЯ ПО ТЕХНИКЕ БЕЗОПАСНОСТИ

Далее приведено изображение и описание символов безопасности, которые могут присутствовать на данном устройстве. Перед сборкой или использованием внимательно прочитайте все инструкции, приведенные на устройстве, и соблюдайте их.



Предупреждение об опасности



При использовании устройства всегда надевайте средства защиты органов слуха.



Следите за тем, чтобы посторонние лица находились на расстоянии не менее 15 м.



Неисправные электрические устройства нельзя выбрасывать вместе с бытовым мусором. Сдавайте их в авторизованные пункты сбора и утилизации.



Постоянный ток



Не смотрите непосредственно на включенную лампу.

IPX5

Защита от струй воды

V

Напряжение



Прочитайте руководство по эксплуатации, чтобы уменьшить риск получения травм.



При работе с данным устройством всегда используйте защиту для глаз или защитные очки с боковыми щитками и полнопрофильную защитную маску.



Гарантированный уровень звуковой мощности. Уровень шума в окружающей среде в соответствии с директивой ЕС.



Соответствует основным требованиям стандартов безопасности Европейских директив.



Соответствие требованиям Великобритании



Символ Bluetooth®

кг

Килограмм

м<sup>3</sup>/ч

Кубический метр в час

°C Градус Цельсия  
N Ньютон

м/с Метр в секунду

## ТЕХНИЧЕСКИЕ ХАРАКТЕРИСТИКИ

Напряжение	56 В
Макс. объем воздуха	1870 м <sup>3</sup> /ч
Макс. скорость воздушного потока	85 м/с
Макс. сила выдувания	36 Н
Диапазон рабочих частот Bluetooth	2400–2438 МГц
Максимальная мощность передачи данных Bluetooth	5 дБм
Масса (без аккумулятора)	9,6 кг
Рекомендуемая рабочая температура	От –15 до 40 °С
Рекомендуемая температура хранения	От –20 до 70 °С
Измеренный уровень звуковой мощности L <sub>WA</sub>	96 дБ (А) K=1,4 дБ (А)
Уровень звукового давления на уши оператора L <sub>PA</sub>	83 дБ (А) K=3 дБ (А)
Гарантированный уровень звуковой мощности L <sub>WA</sub> (измерен в соответствии с 2000/14/ЕС)	98 дБ (А)
Вибрация a <sub>n</sub>	0,25 м/с <sup>2</sup> K=1,5 м/с <sup>2</sup>

- Указанное общее значение вибрации было определено с помощью стандартного теста и может быть использовано для сравнения разных инструментов.
- Указанное общее значение вибрации также может использоваться для предварительной оценки уровня воздействия.

**ПРИМЕЧАНИЕ.** Реальное вибрационное воздействие электроинструмента может отличаться от указанного в зависимости от способа использования. В целях безопасности оператор должен надевать перчатки и средства защиты органов слуха во время использования устройства.

## КОМПЛЕКТ ПОСТАВКИ (РИС. А1) ОПИСАНИЕ

### ЧАСТИ ВОЗДУХОДУВКИ (Рис. А1)

1. Регулируемая ременная обвязка
2. Пряжка ремня для хранения в вертикальном положении
3. Задняя панель
4. Рукоятка управления
5. Коническая насадка
6. Труба воздуходувки
7. Зажим трубы
8. Трубка рукоятки управления
9. Зажим рукоятки управления
10. Зажим сиффона
11. Сильфон
12. Воздухозаборное отверстие
13. Вспомогательная рукоятка
14. Электрические контакты
15. Защелка
16. Кнопки фиксации аккумулятора
17. Рукоятка
18. Курок скорости подачи воздуха
19. Кнопка блокировки скорости
20. Светодиодная подсветка
21. ЖК-экран
22. Кнопка светодиодной подсветки
23. Кнопка турборежима
24. Быстроразъемные рычаги
25. Индикатор Bluetooth
26. Указатель уровня заряда
27. Значок вентилятора
28. Индикатор TURBO
29. Индикатор скорости воздуха
30. Значок блокировки скорости
31. Символ аккумулятора

RU

## СБОРКА

**⚠ ПРЕДУПРЕЖДЕНИЕ.** Если какие-либо части повреждены или отсутствуют, не используйте устройство, пока они не будут установлены. Использование устройства с поврежденными или отсутствующими частями может привести к серьезным травмам.

**⚠ ПРЕДУПРЕЖДЕНИЕ.** Не пытайтесь изменить конструкцию воздуходувки или использовать нерекондованные для нее дополнительные приспособления. Подобное изменение считается ненадлежащим использованием и способствует возникновению опасной ситуации, которая приведет к получению серьезной травмы.

**⚠ ПРЕДУПРЕЖДЕНИЕ.** Чтобы предотвратить случайное включение устройства и получение серьезной травмы, во время сборки извлекайте аккумуляторы.

RU

### УСТАНОВКА ТРУБ ВОЗДУХОДУВКИ

#### Подключение трубки с рукояткой управления к сильфону

1. Для удобства сборки расположите воздуходувку так, чтобы ременная обвязка была направлена вверх, как показано на Рис. В1.
2. Открутите и извлеките два винта с одной стороны зажима сильфона, частично откройте зажим сильфона, но убедитесь, что выступ на ободе сильфона полностью вошел в паз зажима (Рис. В2).
3. Вставьте задний торец трубки рукоятки управления в сильфон таким образом, чтобы задняя торцевая поверхность коснулась торцевой поверхности зажима сильфона (Рис. В3).
4. Зажим сильфона может быть полностью закрыт, если трубка рукоятки управления правильно подсоединена к сильфону. Надежно затяните винты зажима сильфона (Рис. В4).

В1-1	Ременная обвязка	В1-2	Сильфон
В2-1	Винты	В2-2	Прорезь
В2-3	Выступ	В2-4	Зажим сильфона
В3-1	Трубка рукоятки управления	В3-2	Задний торец
В3-3	Задняя торцевая поверхность	В3-4	Торцевая поверхность зажима сильфона

#### Подключение трубки воздуходувки к трубке с рукояткой управления

1. Ослабьте и снимите быстроразъемный рычаг и барашковую гайку с зажима на трубе воздуходувки (Рис. С1).
2. Совместите паз в трубе воздуходувки с ребром на трубке с рукояткой управления и надвиньте трубу воздуходувки на трубку с рукояткой управления до упора (Рис. С2).
3. Вставьте штифт быстроразъемного рычага и закройте рычаг на зажиме трубы (Рис. С3).
4. Затяните барашковую гайку, чтобы зафиксировать зажим трубы (Рис. С4).

С1-1	Труба воздуходувки	С1-2	Зажим трубы
С1-3	Быстроразъемный рычаг	С1-4	Барашковая гайка
С2-1	Паз трубы воздуходувки	С2-2	Ребро трубки рукоятки управления

#### Подключение конической насадки к трубе воздуходувки

1. Совместите паз в насадке с фиксатором на трубе. Наденьте насадку на трубу так, чтобы она надежно защелкнулась (Рис. D1).
2. **Чтобы снять насадку**, нажмите и удерживайте кнопку извлечения насадки, чтобы открыть фиксатор, затем снимите насадку с трубы воздуходувки (Рис. D2).

D1-1	Кнопка фиксации насадки	D1-2	Защелка
------	-------------------------	------	---------

## ИСПОЛЬЗОВАНИЕ

**⚠ ПРЕДУПРЕЖДЕНИЕ.** Не допускайте небрежности и беспечности при работе с устройством. Помните, что потери бдительности на долю секунды достаточно для получения серьезной травмы.

**⚠ ПРЕДУПРЕЖДЕНИЕ.** Не используйте насадки или дополнительные приспособления, не рекомендованные производителем устройства. Использование нерекондованных насадок и дополнительных приспособлений может привести к серьезным травмам.

**⚠ ПРЕДУПРЕЖДЕНИЕ.** Перед сборкой,

регулировкой, очисткой, а также когда устройство не используется, всегда извлекайте из него аккумулятор. Извлечение аккумуляторов поможет предотвратить непредвиденный запуск устройства, который может привести к серьезным травмам.

Перед каждым использованием полностью проверяйте устройство на наличие поврежденных, отсутствующих или плохо закрепленных частей, таких как винты, гайки, болты, заглушки и т. д. Надежно закрепите все фиксаторы и заглушки и не пользуйтесь устройством до тех пор, пока не будут заменены поврежденные или отсутствующие части.

### ПРИМЕНЕНИЕ

Данное устройство можно использовать в следующих целях.

- Для уборки листьев и прочего дворового мусора с газонов и мульчированных поверхностей.
- Для очистки твердых поверхностей, таких как подъездные пути и дорожки.
- Для очистки поверхностей и подъездных путей от листьев и хвои.

**ПРИМЕЧАНИЕ.** Инструмент должен использоваться только по назначению. Любое другое использование, кроме упомянутого, считается ненадлежащим.

### УСТАНОВКА И СНЯТИЕ АККУМУЛЯТОРА

Используйте только аккумуляторы и зарядные устройства EGO, указанные на Рис. А2.

Подробнее см. в соответствующих руководствах по эксплуатации аккумулятора и зарядного устройства.

#### Перед первым использованием полностью зарядите аккумулятор.

**ПРИМЕЧАНИЕ.** Для достижения наилучшей производительности рекомендуется использовать аккумулятор EGO 56 В ВА3360Т (6,0 Ач) или другой более мощный аккумулятор EGO 56 В.

Воздуходувка имеет два активных отсека для аккумуляторов, расположенных на левой и правой стороне корпуса.

**ПРИМЕЧАНИЕ.** Воздуходувка может работать от одного или двух аккумуляторов. Использование двух аккумуляторов обеспечивает более длительное время работы и эффективное потребление энергии благодаря технологии PEAK POWER™.

Когда аккумуляторы вставлены в соответствующие отсеки, обозначенные цифрами 1 и 2 на задней панели, то при включении воздуходувки на ЖК-дисплее

светится значок соответствующего аккумулятора (Рис. Е1).

#### Установка (Рис. Е2)

Совместите ребра аккумулятора с монтажными пазами и вставьте аккумулятор до щелчка. Установите второй аккумулятор.

#### Снятие

Нажмите кнопку фиксации аккумулятора и извлеките аккумулятор.

**⚠ ПРЕДУПРЕЖДЕНИЕ.** Всегда следите за положением своих ног, а за также за местонахождением детей и животных, когда нажимаете на кнопку фиксации аккумулятора. Падение аккумулятора может привести к серьезным травмам. НИКОГДА не извлекайте аккумулятор, если находитесь на возвышенности.

E1-1	Номера отсеков для аккумуляторов	E1-2	ЖК-экран
E1-3	Символ аккумулятора	E2-1	Ребра аккумулятора
E2-2	Монтажный паз	E2-3	Кнопка фиксации аккумулятора

RU

### РАЗМЕЩЕНИЕ РАНЦЕВОЙ ВОЗДУХОДУВКИ

**⚠ ПРЕДУПРЕЖДЕНИЕ.** Одевайтесь надлежащим образом, чтобы снизить риск получения травм при использовании данного устройства. Не надевайте свободную одежду и украшения. Используйте средства защиты органов зрения и слуха. Надевайте плотные длинные брюки, прочную обувь и перчатки. Не надевайте шорты, сандалии и не работайте босиком.

Перед использованием ранцевой воздуходувки убедитесь, что оператор носит защитные очки и соответствующую одежду и может сохранять устойчивое и сбалансированное положение.

#### Регулировка ременной обвязки

1. Потяните за два ремня на задней панели, чтобы убедиться, что ремни надежно прикреплены к ней (Рис. F1).
2. При необходимости отрегулируйте спинные и поясничную накладки.
  - Ослабьте плечевые ремни, отсоедините спинные накладки от липучек и переместите их в нужное положение, затем натяните плечевые ремни, чтобы закрепить накладки (Рис. F2).

**ПРИМЕЧАНИЕ.** Горизонтальные линии на спинных накладках помогают установить обе наклейки на одном уровне.

- Отсоедините поясничную накладку от липучки и переместите ее в желаемое положение (Рис. F3).
3. Проденьте руки в ремennую обвязку, чтобы повесить воздуходувку на спину. Отрегулируйте нагрудные ремни таким образом, чтобы при удерживании рукоятки управления правой рукой ее локоть был удобно расположен (Рис. F4).
  4. Застегните поясную пряжку и отрегулируйте длину поясных ремней таким образом, чтобы ремennая обвязка надежно держалась на талии. Если поясная пряжка защелкивается с трудом, отрегулируйте два боковых ремня с каждой стороны (Рис. F5).

**ПРИМЕЧАНИЕ.** Ремennая обвязка не должна находиться слишком высоко на спине. Она должна располагаться ближе к бедрам, чем к плечам.

RU

**⚠ ПРЕДУПРЕЖДЕНИЕ.** При возникновении чрезвычайной ситуации немедленно растегните поясную пряжку, чтобы снять ремennую обвязку. Этот способ позволяет быстро освободиться от устройства.

5. Отрегулируйте нагрудные ремни таким образом, чтобы ремennая обвязка сидела надежно и удобно. Убедитесь, что ремennая обвязка надежно закреплена, основной вес поддерживается поясным ремнем, а при движении не происходит лишних перемещений (Рис. F6).
6. Слишком длинные концы ремней вставьте в эластичные крепления (Рис. F7).
7. Для безопасной работы предусмотрено несколько светоотражающих полос. Не закрывайте светоотражающие полосы во время работы (Рис. F8).
8. **Чтобы отсоединить ремennую обвязку от спины,** просто нажмите на поясную пряжку, чтобы освободить ее и опустить воздуходувку (Рис. F9).

F1-1	Ремни	F1-2	Задняя панель
F2-1	Плечевые ремни	F2-2	Горизонтальные линии
F3-1	Поясничная накладка	F4-1	Грудные ремни
F5-1	Поясные ремни	F5-2	Поясная пряжка

F5-3	Боковые ремни	F7-1	Эластичное крепление
F7-2	Длинный конец ремня	F8-1	Светоотражающие полосы

### Регулировка рукоятки управления

1. Отпустите быстроразъемный рычаг для перемещения рукоятки управления вперед или назад (Рис. G1 и G2), а затем зажмите быстроразъемный рычаг, чтобы зафиксировать рукоятку управления на месте.
2. Рукоятку также можно вращать при необходимости (Рис. G3).

G1-1	Рукоятка управления	G1-2	Быстроразъемный рычаг
------	---------------------	------	-----------------------

### Регулировка длины трубки с рукояткой управления (Рис. H1, H2)

1. Отпустите быстроразъемный рычаг (Рис. H1).
2. Переместите трубу воздуходувки в удобное рабочее положение в пределах зоны регулировки (Рис. H2).
3. Зажмите быстроразъемный рычаг, чтобы зафиксировать трубу воздуходувки на месте (Рис. H2).

H1-1	Быстроразъемный рычаг	H2-1	Труба воздуходувки
H2-2	Зона регулировки		

### ЗАПУСК И ОСТАНОВКА ВОЗДУХОДУВКИ

**ПРИМЕЧАНИЕ.** Воздуходувка может не запуститься должным образом, если температура аккумулятора или воздуходувки составляет  $-15^{\circ}\text{C}$  или ниже. В этом случае извлеките аккумулятор из воздуходувки и дайте аккумулятору и воздуходувке прогреться в помещении не менее 10 минут. Установите аккумулятор на место и повторите попытку.

### Курок скорости подачи воздуха (Рис. I1, I2)

- Нажмите на курок, чтобы включить воздуходувку. На ЖК-экране будут отображаться указатель уровня заряда, значок аккумулятора и индикатор скорости воздуха.

**ПРИМЕЧАНИЕ.** При низком уровне заряда аккумулятора на ЖК-дисплее мигает 1 светодиод указателя уровня заряда.

- Скорость воздушного потока воздуходувки контролируется с помощью курка скорости подачи воздуха. Чем сильнее нажат курок, тем выше скорость выдувания; чем слабее нажат курок, тем ниже скорость выдувания. Отрегулируйте скорость в соответствии с выполняемой задачей. На ЖК-экране будет отображаться соответствующий индикатор скорости воздуха.
- Отпустите курок, чтобы выключить воздуходувку. ЖК-экран выключится через определенный промежуток времени после отпускания курка.

**ПРИМЕЧАНИЕ.** При использовании аккумуляторной батареи емкостью менее 4 Ач скорость воздуха ограничивается двумя делениями.

### Турборежим

Нажмите и удерживайте курок скорости подачи воздуха, затем нажмите кнопку турборежима, чтобы увеличить скорость потока воздуха до максимального уровня (Рис. I1). На ЖК-экране будет светиться индикатор TURBO и значок вентилятора (Рис. I3).

**ПРИМЕЧАНИЕ.** Воздуходувка вернется к предыдущей скорости при отпускании кнопки турборежима.

### Режим блокировки скорости

Блокировка скорости позволяет управлять воздуходувкой без постоянного нажатия на курок скорости подачи воздуха.

1. Нажимайте на курок скорости подачи воздуха, пока не будет достигнута нужная скорость (Рис. I1).
2. Нажмите кнопку блокировки скорости. На ЖК-экране будет светиться значок блокировки скорости (Рис. I4).
3. Отпустите курок скорости подачи воздуха, и воздуходувка будет работать на выбранной скорости.

**ПРИМЕЧАНИЕ.** Нажатие кнопки турборежима в режиме блокировки скорости позволяет зафиксировать скорость обдува на максимальном уровне. При повторном нажатии кнопки турборежима воздуходувка вернется к прежней скорости.

4. **Чтобы снять блокировку скорости,** еще раз нажмите кнопку блокировки скорости. Значок блокировки скорости исчезнет с ЖК-экрана, и воздуходувка выключится.

I1-1	Кнопка турборежима	I1-2	Кнопка блокировки скорости
I1-3	Курок скорости подачи воздуха	I2-1	Указатель уровня заряда

I2-2	Индикатор скорости воздуха	I2-3	Символ аккумулятора
I3-1	Значок вентилятора	I3-2	Индикатор TURBO
I4-1	Значок блокировки скорости		

### СВЕТОДИОДНАЯ ПОДСВЕТКА (Рис. J)

Светодиодная подсветка расположена в передней части рукоятки управления. Она обеспечивает освещение для улучшения видимости.

Нажмите кнопку светодиодной подсветки один раз, чтобы включить подсветку. Нажмите еще раз, чтобы выключить. Подсветка также автоматически отключается примерно через 5 минут бездействия воздуходувки.

J-1	Кнопка светодиодной подсветки	J-2	Светодиодная подсветка
-----	-------------------------------	-----	------------------------

RU

### КОММУНИКАЦИОННЫЕ ТЕХНОЛОГИИ

Для получения информации и полного списка наших продуктов и услуг, включая инструкции по подключению, отсканируйте QR-код ниже или посетите сайт

[www.egopowerplus.eu/connect](http://www.egopowerplus.eu/connect).



### СОВЕТЫ ПО ИСПОЛЬЗОВАНИЮ ВОЗДУХОДУВКИ

- Чтобы мусор не разлетался, направляйте поток воздуха от наружных краев кучи мусора. Никогда не направляйте поток воздуха непосредственно в центр кучи.
- Чтобы снизить уровень шума, ограничьте число единиц оборудования, используемых одновременно.
- Используйте грабли и метлу, чтобы убрать мусор перед использованием воздуходувки. В пыльных условиях по возможности слегка увлажните поверхность.
- Следите за тем, чтобы сдуваемый мусор не попадал на детей, домашних животных, в открытые окна и на свежечвымытые автомобили.

- После использования воздуходувок и другого оборудования наведите порядок! Утилизируйте мусор надлежащим образом.

## ОБСЛУЖИВАНИЕ

**⚠ ПРЕДУПРЕЖДЕНИЕ.** При ремонте используйте только идентичные запасные части. Использование других запасных частей может привести к возникновению опасной ситуации или повреждению устройства. Для обеспечения безопасности и надежности устройства его ремонт должен выполнять квалифицированный специалист.

**⚠ ПРЕДУПРЕЖДЕНИЕ.** Во избежание травм всегда извлекайте аккумулятор из устройства перед чистой или обслуживанием.

## ОБЩЕЕ ОБСЛУЖИВАНИЕ

Не используйте растворители для очистки пластиковых частей. Большинство пластиковых частей чувствительны к различным бытовым растворителям и могут быть повреждены. Для очистки от грязи, пыли, масла, смазки и т. п. используйте чистую ткань.

**⚠ ПРЕДУПРЕЖДЕНИЕ.** Не допускайте попадания на пластиковые части тормозной жидкости, бензина, продуктов на нефтяной основе, пропитывающих масел и т. д. Химические вещества могут повредить, ослабить или разрушить пластик, что приведет к получению серьезных травм.

**⚠ ПРЕДУПРЕЖДЕНИЕ.** Для снижения риска пожара, получения травм и повреждения устройства от короткого замыкания никогда не погружайте инструмент, аккумулятор и зарядное устройство в жидкость и не допускайте попадания жидкости внутрь. Коррозионные и токопроводящие жидкости, такие как морская вода, некоторые промышленные химикаты, а также отбеливатели и содержащие их продукты могут стать причиной короткого замыкания.

## ХРАНЕНИЕ

- Извлеките аккумулятор(ы) из воздуходувки.
- Уберите все посторонние материалы из воздухозаборного отверстия воздуходувки.
- Защелкните пряжку ремня для хранения в

вертикальном положении, чтобы повесить трубу воздуходувки на корпус батарейного отсека (Рис. К).

- Храните в закрытом, недоступном для детей месте. Храните вдали от источников коррозии, таких как садовые удобрения и техническая соль.

К-1

Пряжка ремня для хранения в вертикальном положении

## ОХРАНА ОКРУЖАЮЩЕЙ СРЕДЫ



Не выбрасывайте электроприборы, зарядные устройства и аккумуляторные батареи вместе с бытовыми отходами! Отправьте данное изделие на переработку в специализированное предприятие или сдайте его для раздельного сбора. Электроинструменты должны быть возвращены на перерабатывающее предприятие, не наносящее ущерба окружающей среде.

RU



## УСТРАНЕНИЕ НЕПОЛАДOK

ПРОБЛЕМА	ПРИЧИНА	РЕШЕНИЕ
Воздуходувка не работает.	<ul style="list-style-type: none"> <li>■ Аккумулятор не установлен в воздуходувку.</li> <li>■ Нет электрического контакта между воздуходувкой и аккумулятором.</li> <li>■ Аккумулятор разряжен.</li> <li>■ Аккумулятор или воздуходувка перегрелись.</li> <li>■ Курок скорости подачи воздуха неисправен.</li> <li>■ Аккумулятор или воздуходувка слишком холодные.</li> </ul>	<ul style="list-style-type: none"> <li>■ Установите аккумулятор в воздуходувку.</li> <li>■ Извлеките аккумулятор, проверьте контакты и установите его снова.</li> <li>■ Зарядите аккумулятор.</li> <li>■ Дайте аккумулятору и воздуходувке остыть, пока температура не упадет ниже 67 °С.</li> <li>■ Обратитесь в службу поддержки клиентов EGO для ремонта.</li> <li>■ Извлеките аккумулятор и дайте аккумулятору и воздуходувке прогреться в помещении. Рекомендуется полностью зарядить аккумулятор и запустить воздуходувку на низкой скорости без активации турборежима.</li> </ul>
Когда курок скорости подачи воздуха нажат, на ЖК-экране отображаются только два нижних значка скорости.	<ul style="list-style-type: none"> <li>■ Используется аккумулятор с низкой емкостью.</li> </ul>	<ul style="list-style-type: none"> <li>■ Используйте аккумуляторы емкостью 4,0 Ач или выше.</li> </ul>
Режим блокировки скорости нельзя включить или выключить.	<ul style="list-style-type: none"> <li>■ Повреждена кнопка блокировки скорости.</li> </ul>	<ul style="list-style-type: none"> <li>■ Обратитесь в службу поддержки клиентов EGO для ремонта.</li> </ul>
Скорость воздуха заметно снизилась.	<ul style="list-style-type: none"> <li>■ Низкий уровень заряда аккумулятора.</li> <li>■ Чрезмерный износ вентилятора двигателя.</li> <li>■ Воздухозаборное отверстие засорилось.</li> </ul>	<ul style="list-style-type: none"> <li>■ Зарядите аккумулятор.</li> <li>■ Обратитесь в сервисный центр EGO для ремонта.</li> <li>■ Извлеките аккумулятор и удалите засор.</li> </ul>
ЖК-экран не работает должным образом.	<ul style="list-style-type: none"> <li>■ Повреждение ЖК-экрана или проводного соединения.</li> </ul>	<ul style="list-style-type: none"> <li>■ Обратитесь в сервисный центр EGO для ремонта.</li> </ul>
На ЖК-дисплее мигает 1 светодиод указателя уровня заряда.	<ul style="list-style-type: none"> <li>■ Низкий уровень заряда аккумулятора.</li> </ul>	<ul style="list-style-type: none"> <li>■ Зарядите аккумулятор.</li> </ul>

RU

## ГАРАНТИЯ

### ГАРАНТИЙНАЯ ПОЛИТИКА EGO

Посетите веб-сайт [egopowerplus.eu](http://egopowerplus.eu), чтобы ознакомиться со всеми условиями и сроками гарантийной политики EGO.

## PRZECZYTAJ WSZYSTKIE INSTRUKCJE!



### PRZECZYTAJ INSTRUKCJĘ OPERATORA

**⚠ OSTRZEŻENIE:** Aby zagwarantować bezpieczeństwo i niezawodność, wszystkie naprawy powinny być wykonywane przez wykwalifikowanych techników serwisu.

## SYMBOLE BEZPIECZEŃSTWA

Celem symboli bezpieczeństwa jest zwrócenie uwagi użytkownika na możliwe zagrożenia. Symbole bezpieczeństwa i objaśnienia do nich zasługują na to, aby je uważnie przestudiować i zrozumieć. Symbole bezpieczeństwa nie eliminują same z siebie jakichkolwiek zagrożeń. Podawane w nich instrukcje i ostrzeżenia nie zastępują odpowiednich środków zapobiegania wypadkom.

**⚠ OSTRZEŻENIE:** Przed użyciem maszyny należy koniecznie przeczytać ze zrozumieniem wszystkie instrukcje dotyczące bezpieczeństwa podane w podręczniku użytkownika, łącznie z wszystkimi ostrzeżeniami oznaczonymi symbolami ostrzegawczymi takimi jak „**NIEBEZPIECZEŃSTWO**”, „**OSTRZEŻENIE**” i „**PRZESTROGA**”. Niestosowanie się do wszystkich podanych niżej instrukcji może doprowadzić do porażenia prądem, pożaru i/lub poważnych urazów ciała.

**PL**

## ZNACZENIE SYMBOLI

**⚠ SYMBOL OSTRZEGAWCZY:** Oznacza **NIEBEZPIECZEŃSTWO**, **OSTRZEŻENIE** lub **PRZESTROGĘ**, może być używany razem z innymi symbolami lub piktogramami.

## INSTRUKCJE DOTYCZĄCE BEZPIECZEŃSTWA

Na tej stronie pokazano i opisano symbole bezpieczeństwa, które mogą występować na produkcie. Przed podjęciem próby złożenia i użycia maszyny należy przeczytać i zrozumieć wszystkie instrukcje dotyczące maszyny oraz zastosować się do nich.



Ostrzeżenie dotyczące bezpieczeństwa



Aby ograniczyć ryzyko urazów, użytkownik musi przeczytać instrukcję operatora.



Podczas pracy urządzeniem należy zawsze nosić ochronniki słuchu.



Podczas używania produktu należy zawsze nosić gogle ochronne lub okulary ochronne z osłonami bocznymi, a także pełną osłonę na twarz.



Osoby postronne muszą stać w odległości co najmniej 15 m.



Gwarantowany poziom mocy akustycznej. Emisja hałasu do środowiska zgodnie z dyrektywą Wspólnoty Europejskiej.



Zużytych wyrobów elektrycznych nie należy wyrzucać razem ze zwykłymi odpadami domowymi. Należy je oddać do autoryzowanego punktu recyklingu.



Ten produkt jest zgodny z obowiązującymi dyrektywami WE.



Prąd stały



Znak zgodności z wymaganiami dotyczącymi produktów sprzedawanych w Wielkiej Brytanii



Nie należy wpatrywać się we włączoną lampę.



Symbol Bluetooth®

IPX5

Zabezpieczenie przed strugami wody

kg

Kilogram

V

Napięcie

m<sup>3</sup>/h

Metr sześcienny na godzinę

°C Celsjusz  
N Niuton

m/s Metr na sekundę

## SPECYFIKACJA

Napięcie	56 V
Maksymalny strumień powietrza	1870 m <sup>3</sup> /h
Maksymalna prędkość powietrza	85 m/s
Maksymalna siła nadmuchu	36 N
Pasma częstotliwości działania bezprzewodowego	2400-2438 MHz
Moc maksymalnej transmisji bezprzewodowej	5 dBm
Ciężar (bez akumulatora)	9,6 kg
Zalecana temperatura użytkowania	-15°C - 40°C
Zalecana temperatura przechowywania	-20°C - 70°C
Zmierzony poziom mocy akustycznej L <sub>WA</sub>	96 dB(A) K=1,4 dB(A)
Poziom ciśnienia akustycznego na wysokości ucha operatora L <sub>PA</sub>	83 dB(A) K=3 dB(A)
Gwarantowany poziom mocy akustycznej L <sub>WA</sub> (zmierzony zgodnie z dyrektywą 2000/14/WE)	98 dB(A)
Drgania a <sub>h</sub>	0,25 m/s <sup>2</sup> K=1,5 m/s <sup>2</sup>

- Deklarowana całkowita wartość drgań została zmierzona zgodnie ze standardowymi metodami testowania i może służyć do porównywania różnych narzędzi.
- Deklarowana całkowita wartość drgań może również służyć do wstępnej oceny narażenia na drgań.

**UWAGA:** Emisja drgań podczas rzeczywistego stosowania elektronarzędzia może się różnić od deklarowanej wartości, w której narzędzie jest używane. Aby się zabezpieczyć, w rzeczywistych warunkach użytkowania użytkownik powinien nosić rękawice i nauszники ochronne.

## LISTA ELEMENTÓW W OPAKOWANIU (RYS. A1)

### OPIS

#### ZAPOZNANIE SIĘ Z DMUCHAWĄ (Rys. A1)

1. Regulowana uprząż nośna
2. Klamra do przechowywania w pozycji pionowej
3. Płyta plecaka
4. Uchwyt sterujący
5. Dysza stożkowa
6. Rura dmuchawy
7. Zacisk rury
8. Rura z uchwytem sterującym
9. Zacisk uchwyty sterującego
10. Zacisk miecha
11. Miech
12. Wlot powietrza
13. Uchwyt pomocniczy
14. Styki elektryczne
15. Zatrzask
16. Przyciski odblokowujące akumulator
17. Rękojeść
18. Spust prędkości powietrza
19. Przycisk blokady prędkości
20. Lampka LED
21. Wyświetlacz LCD
22. Przycisk włączania oświetlenia LED
23. Przycisk turbo
24. Dźwignia szybkiego zwalniania
25. Wskaźnik Bluetooth
26. Wskaźnik poziomu naładowania
27. Ikona wentylatora
28. Wskaźnik turbo
29. Wskaźnik prędkości powietrza
30. Ikona blokady prędkości
31. Ikona akumulatora

PL

## MONTAŻ

**⚠ OSTRZEŻENIE:** W przypadku braku lub uszkodzenia którejs z części nie należy uruchamiać urządzenia aż do momentu wymiany lub naprawy części. Używanie urządzenia z uszkodzonymi częściami lub gdy którejs z części brakuje może doprowadzić do poważnych urazów ciała.

**⚠ OSTRZEŻENIE:** Nie należy próbować przerabiać urządzenia lub tworzyć akcesoriów, które nie są zalecane do używania w dmuchawie. Wszelkie tego typu zmiany lub modyfikacje są niedozwolone i mogą prowadzić do niebezpiecznych sytuacji oraz poważnych urazów ciała.

**⚠ OSTRZEŻENIE:** Aby zapobiec przypadkowemu włączeniu, które mogłoby spowodować urazy ciała, na czas mocowania części z narzędzia należy zawsze wyjmować akumulatory.

### MONTAŻ RUR DMUCHAWY

PL

#### Podłączenie rury z uchwytem sterującym do miecha

1. W celu wygodnego montażu należy umieścić dmuchawę wraz z uprzężą nośną skierowaną do góry w sposób pokazany na Rys. B1.
2. Poluzować i wykręcić dwie śruby z jednej strony zacisku miecha, częściowo otworzyć zacisk miecha, ale upewnić się, że wypustka na krawędzi miecha jest całkowicie zatrzasknięta w szczelinie w zacisku (Rys. B2).
3. Włożyć tylny koniec rury uchwytu sterującego do miecha, aż jej powierzchnia tylna zetknie się z powierzchnią końcową zacisku miecha (Rys. B3).
4. Gdy rura uchwytu sterującego jest prawidłowo podłączona do miecha, zacisk miecha można całkowicie zamknąć. Mocno dokręć śruby zacisku miecha (Rys. B4).

B1-1	Uprząż nośna	B1-2	Miech
B2-1	Śruby	B2-2	Szczelina
B2-3	Wypustek	B2-4	Zacisk miecha
B3-1	Rura z uchwytem sterującym	B3-2	Tylny koniec
B3-3	Powierzchnia tylna	B3-4	Powierzchnia końcowa zacisku miecha

#### Podłączenie rury dmuchawy do rury z uchwytem sterującym

1. Odkręcić i zdjąć dźwignię szybkiego zwalniania i nakrętkę motylkową z zespołu zacisku rury przymocowanego na rurze dmuchawy (Rys. C1).
2. Dopasować rowek w rurze dmuchawy do żebra na rurze z uchwytem sterującym i wsunąć do oporu rurę dmuchawy na rurę z uchwytem sterującym (Rys. C2).
3. Włożyć trzpień dźwigni szybkiego zwalniania i zamknąć dźwignię na zacisku rury (Rys. C3).
4. Dokręcić nakrętkę motylkową, aby zamocować zacisk rury (Rys. C4).

C1-1	Rura dmuchawy	C1-2	Zacisk rury
C1-3	Dźwignia szybkiego odblokowywania	C1-4	Nakrętka motylkowa
C2-1	Rowek rury dmuchawy	C2-2	Żebro rury z uchwytem sterującym

#### Podłączanie dyszy stożkowej do rury dmuchawy

1. Dopasować rowek w dyszy do zatrzasku na rurze. Nasunąć dyszę na rurę, tak aby bezpiecznie zatrzasknęła się na swoim miejscu (Rys. D1).
2. **Aby zdjąć dyszę**, należy nacisnąć i przytrzymać przycisk zwalniania dyszy, aby otworzyć zatrzask, a następnie pociągnąć za dyszę i zsunąć ją prosto z rury dmuchawy (Rys. D2).

D1-1	Przycisk zwalniania dyszy	D1-2	Zatrzask
------	---------------------------	------	----------

## UŻYTKOWANIE

**⚠ OSTRZEŻENIE:** Nie wolno dopuścić do tego, aby znajomość narzędzia doprowadziła do nieuwagi. Należy pamiętać, że do spowodowania poważnych obrażeń wystarczy zaledwie chwila nieuwagi.

**⚠ OSTRZEŻENIE:** Nie należy używać końcówek lub akcesoriów innych niż zalecane przez producenta produktu. Używanie końcówek lub akcesoriów innych niż zalecane może doprowadzić do poważnych obrażeń.

**⚠ OSTRZEŻENIE:** Przed montażem części, regulacją i czyszczeniem oraz gdy produkt nie jest używany należy zawsze wyjąć z niego akumulatory. Wyjęcie akumulatorów zapobiega przypadkowemu włączeniu, które mogłoby spowodować ciężkie urazy ciała.

Przed każdym użyciem należy kontrolować cały produkt

pod kątem uszkodzonych, brakujących lub obluźwionych części takich jak śruby, wkręty, nakrętki, nasadki, itp. Wszystkie elementy połączeniowe i nasadki należy mocno dokręcić. Nie wolno używać produktu zanim wszystkie brakujące lub uszkodzone części nie zostaną wymienione.

## ZASTOSOWANIE

Urządzenia można używać wyłącznie do celów podanych poniżej:

- Usuwanie liści i różnych odpadów z trawników i ściółki.
- Sprzątanie twardych powierzchni takich jak podjazdy i chodniki.
- Usuwanie z tarasów i podjazdów liści i igieł sosny.

**UWAGA:** Narzędzia należy używać tylko do celów zgodnych z przeznaczeniem. Wszelkie inne zastosowania uznaje się za niezgodne z przeznaczeniem.

## ZAKŁADANIE/WYJMOWANIE AKUMULATORA

Do urządzenia należy używać wyłącznie ładowarek i akumulatorów marki EGO wymienionych na Rys. A2.

Więcej informacji znaleźć można w instrukcjach do odpowiednich akumulatorów i ładowarek.

### Naladować przed pierwszym użyciem.

**UWAGA:** Aby uzyskać najlepszą wydajność, zalecamy korzystanie z akumulatora EGO 56 V BA3360T (6,0 Ah) lub innych akumulatorów EGO 56 V o wyższej pojemności Ah.

Dmuchawa posiada dwie aktywne komory akumulatorowe po lewej i prawej stronie obudowy komory akumulatorów.

**UWAGA:** Dmuchawa może działać na jednym lub dwóch akumulatorach. Użycie dwóch akumulatorów zapewni dłuższy czas pracy i efektywne pobieranie energii zarządzane z użyciem technologii PEAK POWER™.

Po włożeniu akumulatorów do odpowiednich portów akumulatorów oznaczonych cyframi 1 lub 2 na płycie plecaka i włączeniu dmuchawy, na ekranie LCD zaświeci się odpowiednia ikona akumulatora (Rys. E1).

### Zakładanie (Rys. E2)

Dopasować żeberka akumulatora do szczelin mocujących i wsunąć akumulator do komory, aż da się słyszeć kliknięcie. Założyć drugi akumulator.

### Wyjmowanie

Należy wcisnąć przycisk wyjmowania akumulatora i wysunąć akumulator.

**⚠ OSTRZEŻENIE:** Gdy użytkownik naciska przycisk wyjmowania akumulatora, należy zawsze uważać na miejsce, w którym znajdują się stopy użytkownika oraz

na to gdzie przebywają dzieci i zwierzęta. Upuszczenie akumulatora może doprowadzić do ciężkich urazów. NIGDY nie należy wyjmować akumulatora, gdy znajduje się on wysoko.

E1-1	Liczba portów akumulatora	E1-2	Wyświetlacz LCD
E1-3	Ikona akumulatora	E2-1	Żebro akumulatora
E2-2	Szczelina montażowa	E2-3	Przycisk odblokowujący akumulator

## USTAWIANIE DMUCHAWY PLECAKOWEJ W ODPOWIEDNIEJ POZYCJI

**⚠ OSTRZEŻENIE:** Aby ograniczyć ryzyko urazów, podczas pracy maszyną należy nosić odpowiednią odzież. Nie powinno się nosić luźnych ubrań ani biżuterii. Należy nosić środki ochrony oczu i ochronniki słuchu. Należy nosić ciężkie długie spodnie, solidne buty i rękawice. Nie należy nosić krótkich spodni i sandałów, nie należy też używać narzędzia na bosą.

Przed użyciem dmuchawy plecakowej należy upewnić się, że operator ma na sobie okulary ochronne i odpowiednią odzież oraz jest w stanie utrzymać równowagę.

### Regulacja uprząży nośnej

1. Pociągnąć dwa paski płyty plecaka, aby upewnić się, że uprząż jest bezpiecznie przymocowana do płyty plecaka (Rys. F1).
2. W razie potrzeby wyregulować podkładki pleców i podkładkę lędźwiową, aby zapewnić sobie wygodę.
  - Poluzować paski naramienne, zdjąć tylne podkładki z rzepów i przesunąć podkładki w wybraną pozycję, a następnie pociągnąć paski naramienne, aby zamocować podkładki do plecaka (Rys. F2).

**UWAGA:** Linie poziome na tylnych podkładkach ułatwiają ustawienie obu podkładek na tym samym poziomie.

- Zdjąć podkładkę lędźwiową z rzepów i przesunąć ją w wybraną pozycję (Rys. F3).
3. Przełożyć ramiona przez paski naramienne, aby włożyć sobie dmuchawę na plecy. Tymczasowo wyregulować paski piersiowe tak, aby uzyskać wygodną pozycję; zadbać o wygodne ułożenie łokcia prawej ręki podczas trzymania uchwytu sterującego (Rys. F4).
  4. Zatrzasnąć klamrę w pasie i wyregulować długość paska biodrowego w taki sposób, aby uprząż był bezpiecznie podparta na biodrach. Jeśli trudno jest zatrzasnąć klamrę w pasie, wyregulować dwa boczne

paski z każdej strony, aby to ułatwić (Rys. F5).

**UWAGA:** Uprzęż nie może znajdować się na plecach zbyt wysoko; powinno się ją umieścić raczej bliżej bioder niż ramion.

**⚠️ OSTRZEŻENIE:** W sytuacji awaryjnej należy natychmiast zwolnić kłamerę w pasie, aby zdjąć uprzęż. Jest to metoda szybkiego uwalniania.

- Wyregulować paski piersiowe, aby zapewnić bezpieczeństwo i wygodę. Upewnić się, że uprzęż bezpiecznie spoczywa na plecach użytkownika, ciężar powinien być podtrzymywany paskiem biodrowym, plecak nie może się nadmiernie poruszać podczas poruszania się użytkownika (Rys. F6).
- Włożyć dodatkową długość pasków pod gumki (Rys. F7).
- Bezpieczną pracę zapewnia kilka pasków odbijających światło. Upewnić się, że podczas pracy nie zakrywa się pasków odbłaskowych (Rys. F8).
- Aby odpiąć uprzęż z pleców**, wystarczy nacisnąć kłamerę w pasie, aby ją zwolnić i opuścić dmuchawę (Rys. F9).

F1-1	Paski	F1-2	Płyta plecaka
F2-1	Paski na ramię	F2-2	Linie poziome
F3-1	Podkładka lędźwiowa	F4-1	Paski piersiowe
F5-1	Paski biodrowe	F5-2	Klamra w pasie
F5-3	Paski boczne	F7-1	Elastyczny
F7-2	Dodatkowa długość paska	F8-1	Paski odbłaskowe

### Regulacja uchwytu sterującego

- Aby przesunąć uchwyt sterujący do przodu lub do tyłu odpowiednio do potrzeb (Rys. G1 i G2), należy zwolnić dźwignię szybkiego zwalniania, a następnie zatrzasknąć ją, aby zablokować uchwyt sterujący w danej pozycji.
- W celu zapewnienia wygody uchwyt można też odpowiednio do potrzeb obrócić (Rys. G3).

G1-1	Uchwyt sterujący	G1-2	Dźwignia szybkiego odblokowywania
------	------------------	------	-----------------------------------

### Regulacja długości rury z uchwytem sterującym (Rys. H1, H2)

- Zwolnić dźwignię szybkiego odblokowywania (Rys. H1).

- Ustawić rurę dmuchawy w wygodnym położeniu roboczym w strefie regulacji (Rys. H2).
- Zaciągnąć dźwignię szybkiego zwalniania, aby zablokować rurę dmuchawy w danej pozycji (Rys. H2).

H1-1	Dźwignia szybkiego odblokowywania	H2-1	Rura dmuchawy
H2-2	Strefa regulacji		

### WŁĄCZANIE/WYŁĄCZANIE DMUCHAWY

**UWAGA:** Jeśli temperatura akumulatora lub dmuchawy wynosi  $-15^{\circ}\text{C}$  lub mniej, dmuchawa może nie włączyć się prawidłowo. W takim przypadku należy wyjąć akumulator z dmuchawy i pozwolić akumulatorowi i dmuchawie nagrzać się w pomieszczeniu przez 10 minut lub dłużej. Założyć akumulator z powrotem i spróbować ponownie.

### Spust prędkości powietrza (Rys. I1, I2)

- Nacisnąć spust prędkości powietrza, aby włączyć dmuchawę, następnie na ekranie LCD wyświetli się wskaźnik paliwa, ikona akumulatora i wskaźnik prędkości powietrza.

**UWAGA:** Gdy poziom naładowania akumulatora jest niski, na wyświetlaczu LCD miga 1 dioda LED wskaźnika naładowania.

- Prędkość powietrza dmuchawy jest sterowana za pomocą spustu zmiennej prędkości. Większy nacisk na spust powoduje większą prędkość dmuchania; mniejszy nacisk na spust powoduje mniejszą prędkość dmuchania. Prędkość należy ustawić odpowiednio do wykonywanej pracy. Odpowiedni wskaźnik prędkości powietrza zostanie wyświetlony na ekranie LCD.
- Aby wyłączyć dmuchawę, wystarczy puścić spust prędkości powietrza. Ekran LCD wyłączy się po pewnym czasie od zwolnienia spustu.

**UWAGA:** Jeśli używany jest akumulator o pojemności poniżej 4 Ah, prędkość powietrza jest ograniczona tylko do dwóch taktów.

### Tryb turbo

Gdy spust prędkości powietrza jest wciśnięty i przytrzymany, nacisnąć przycisk turbo, aby zwiększyć przepływ powietrza do maksymalnej prędkości (Rys. I1). Na ekranie LCD zapali się wskaźnik turbo i ikona wentylatora (Rys. I3).

**UWAGA:** Po zwolnieniu przycisku turbo dmuchawa powróci do poprzedniej prędkości.

### Tryb blokady prędkości

Blokada prędkości może być używana do obsługi

dmuchawy bez ciągłego naciskania spustu prędkości powietrza.

1. Naciśnąć spust prędkości powietrza do osiągnięcia żądanej prędkości (Rys. I1).
2. Naciśnąć przycisk blokady prędkości. Ikona blokady prędkości zaświeci się na ekranie LCD (Rys. I4).
3. Zwolnić spust prędkości powietrza, dmuchawa będzie nadal pracować z „żądaną” prędkością.

**UWAGA:** Naciśnięcie przycisku turbo w trybie blokady prędkości może zablokować prędkość powietrza na maksymalnym poziomie. Po ponownym naciśnięciu przycisku turbo dmuchawa powróci do poprzedniej prędkości.

4. **Aby zwolnić blokadę prędkości**, należy ponownie nacisnąć przycisk blokady prędkości. Ikona blokady prędkości zniknie z ekranu LCD, a dmuchawa wyłączy się.

I1-1	Przycisk turbo	I1-2	Przycisk blokady prędkości
I1-3	Spust prędkości powietrza	I2-1	Wskaźnik poziomu naładowania
I2-2	Wskaźnik prędkości powietrza	I2-3	Ikona akumulatora
I3-1	Ikona wentylatora	I3-2	Wskaźnik turbo
I4-1	Ikona blokady prędkości		

#### LAMPKA LED (Rys. J)

Lampka LED znajduje się w przedniej części uchwyty sterującego. Zapewnia oświetlenie zwiększające widoczność.

Nacisnąć raz przycisk lampki LED, aby włączyć światło, naciśnij go ponownie, aby wyłączyć światło. Wyłączy się również automatycznie po około 5 minutach bezczynności dmuchawy.

J-1	Przycisk włączania oświetlenia LED	J-2	Lampka LED
-----	------------------------------------	-----	------------

#### TECHNOLOGIA ŁĄCZNOŚCI

Aby uzyskać informacje na temat pełnej oferty naszych produktów i usług łączących się bezprzewodowo, w tym instrukcje dotyczące podłączania, wystarczy zeskanować poniższy kod QR lub odwiedzić stronę

[www.egopowerplus.eu/connect](http://www.egopowerplus.eu/connect).



#### WSKAZÓWKI DOTYCZĄCE KORZYSTANIA Z DMUCHAWY

- Aby nie rozrzucić śmieci, należy omijać strumieniem powietrza z dmuchawy zewnętrzne krawędzie kuppek śmieci. Nigdy nie należy kierować strumienia powietrza bezpośrednio w środek kupki śmieci.
- Aby ograniczyć poziom hałasu, należy ograniczyć liczbę jednocześnie używanych urządzeń.
- Należy używać grabi i mioteł, aby przed użyciem dmuchawy wzruszyć zanieczyszczenia. Przy dużym zapyleniu, o ile tylko jest dostępna woda, dobrze jest lekko zwilżyć sprzątaną powierzchnię.
- Należy uważać na dzieci, zwierzęta domowe, otwarte okna i świeżo umyte samochody, zanieczyszczenia należy usuwać w bezpiecznej od nich odległości.
- Po zakończeniu używania dmuchaw i innych urządzeń, należy posprzątać! Odpady należy usunąć we właściwy sposób.

PL

#### KONSERWACJA

**⚠ OSTRZEŻENIE:** Do serwisowania należy używać wyłącznie części zamiennych identycznych z oryginalnymi. Używanie jakichkolwiek innych części stwarza ryzyko i może spowodować usterkę produktu. Aby zagwarantować bezpieczeństwo i niezawodność, wszystkie naprawy powinny być wykonywane przez wykwalifikowanych techników serwisu.

**⚠ OSTRZEŻENIE:** Aby uniknąć poważnych urazów ciała, na czas czyszczenia lub wykonywania prac konserwacyjnych należy zawsze wyjmować z urządzenia akumulator.

#### KONSERWACJA OGÓLNA

Podczas czyszczenia części plastikowych należy unikać używania rozpuszczalników. Pod wpływem kontaktu z różnego rodzaju rozpuszczalnikami dostępnymi w handlu większość tworzyw może ulec uszkodzeniu. Do usuwania zabrudzeń, kurzu, oleju, smaru itp. należy używać czystej ściereczki.

**⚠ OSTRZEŻENIE:** Nigdy nie należy dopuszczać do kontaktu elementów plastikowych z substancjami takimi jak płyn hamulcowy, benzyna, produkty ropopochodne, oleje

penetrujące itp. Substancje chemiczne mogą uszkodzić, osłabić lub zniszczyć tworzywa, co może w konsekwencji spowodować poważne obrażenia.

**⚠ OSTRZEŻENIE:** Aby zmniejszyć ryzyko pożaru, obrażeń ciała i uszkodzenia produktu w wyniku zwarcia, nigdy nie należy zanurzać maszyny, akumulatora ani ładowarki w płynach; nie należy też pozwalać, aby płyny dostały się do środka. Płyny żrące lub przewodzące, takie jak woda morską, niektóre chemikalia przemysłowe, wybielacze lub produkty zawierające wybielacze itp. mogą doprowadzić do zwarcia.

## PRZECHOWYWANIE

- Wyjąć akumulator(y) z dmuchawy.
- Z dmuchawy i jej wlotów powietrza należy usunąć wszystkie zanieczyszczenia.
- Zatrzasnąć klamrę do przechowywania w pozycji pionowej, aby zaczepić rurę dmuchawy na obudowie portu akumulatora (Rys. K).
- Przechowywać w zamkniętych pomieszczeniach, w miejscu niedostępnym dla dzieci. Narzędzie należy chronić przed żrącymi substancjami takimi jak chemia ogrodnicza i sól do usuwania lodu.

PL

K-1

Klamra do przechowywania w pozycji pionowej

## OCHRONA ŚRODOWISKA



Urządzeń elektrycznych, zużytych akumulatorów i ładowarki nie należy wyrzucać do zwykłych zmieszanych śmieci domowych! Produkt należy oddać do zbiórki selektywnej w autoryzowanym punkcie recyklingu. Elektronarzędzia należy oddawać do przyjaznego dla środowiska zakładu recyklingu.



## ROZWIĄZYWANIE PROBLEMÓW

PROBLEM	PRZYCZYNA	ROZWIĄZANIE
Dmuchawa nie działa.	<ul style="list-style-type: none"> <li>■ Akumulator nie jest założony do dmuchawy.</li> <li>■ Brak połączenia elektrycznego między dmuchawą a akumulatorem.</li> <li>■ Akumulator jest rozładowany.</li> <li>■ Akumulator lub dmuchawa jest zbyt gorący/-a.</li> <li>■ Uszkodzony spust prędkości powietrza.</li> <li>■ Akumulator lub dmuchawa jest zbyt zimny/-a.</li> </ul>	<ul style="list-style-type: none"> <li>■ Włożyć akumulator do dmuchawy.</li> <li>■ Wyjąć akumulator, sprawdzić styki i założyć akumulator z powrotem.</li> <li>■ Naładować akumulator.</li> <li>■ Ostudzić akumulator i dmuchawę do temperatury poniżej 67°C.</li> <li>■ Skontaktować się z punktem obsługi klienta EGO w celu dokonania naprawy.</li> <li>■ Wyjąć akumulator i pozwolić akumulatorowi i dmuchawie rozgrzać się w pomieszczeniu. Zaleca się w pełni naładować akumulator i uruchomić dmuchawę na niskiej prędkości bez włączania trybu Turbo.</li> </ul>
Kiedy spust prędkości powietrza jest wciśnięty, na wyświetlaczu LCD wyświetlane są tylko dwie dolne ikony prędkości powietrza.	<ul style="list-style-type: none"> <li>■ Używany jest akumulator o małej pojemności (Ah).</li> </ul>	<ul style="list-style-type: none"> <li>■ Należy używać akumulatorów o pojemności 4,0 Ah lub większej.</li> </ul>
Trybu blokady prędkości nie można włączyć ani wyłączyć.	<ul style="list-style-type: none"> <li>■ Uszkodzony przycisk blokady prędkości.</li> </ul>	<ul style="list-style-type: none"> <li>■ Skontaktować się z punktem obsługi klienta EGO w celu dokonania naprawy.</li> </ul>
Prędkość powietrza jest zauważalnie mniejsza.	<ul style="list-style-type: none"> <li>■ Niski poziom naładowania akumulatora.</li> <li>■ Nadmierne zużycie wentylatora silnika.</li> <li>■ Wlot powietrza jest zapchany zanieczyszczeniami.</li> </ul>	<ul style="list-style-type: none"> <li>■ Naładować akumulator.</li> <li>■ Skontaktować się z serwisem EGO w celu naprawy.</li> <li>■ Wyjąć akumulator i wyczyścić/usunąć odpady.</li> </ul>
Ekran LCD nie działa prawidłowo.	<ul style="list-style-type: none"> <li>■ Ekran LCD lub połączenie kablowe są uszkodzone.</li> </ul>	<ul style="list-style-type: none"> <li>■ Skontaktować się z serwisem EGO w celu naprawy.</li> </ul>
Miga 1 dioda LED wskaźnika naładowania na wyświetlaczu LCD.	<ul style="list-style-type: none"> <li>■ Niski poziom naładowania akumulatora.</li> </ul>	<ul style="list-style-type: none"> <li>■ Naładować akumulator.</li> </ul>

**PL**

## GWARANCJA

### POLITYKA GWARANCYJNA EGO

W celu zapoznania się z wszystkimi warunkami polityki gwarancyjnej EGO prosimy wejść na stronę [egopowerplus.eu](http://egopowerplus.eu).

## PŘEČTĚTE SI VŠECHNY POKYNY!



**PŘEČTĚTE SI NÁVOD K OBSLUZE**

**⚠ VAROVÁNÍ:** Z důvodu zajištění bezpečnosti a spolehlivosti musí všechny opravy provádět kvalifikovaný servisní technik.

## BEZPEČNOSTNÍ SYMBOLY

Účelem bezpečnostních symbolů je upoutat vaši pozornost k případným nebezpečím. Bezpečnostní symboly a jejich vysvětlení vyžadují vaši zvýšenou pozornost a porozumění. Výstražné symboly samy o sobě nevylučují žádné nebezpečí. Pokyny a varování, zde uvedené, nejsou náhradou vhodných opatření pro prevenci úrazů.

**⚠ VAROVÁNÍ:** Před použitím tohoto stroje si přečtěte a porozumějte všem bezpečnostním pokynům v tomto návodu k obsluze, včetně všech bezpečnostních výstražných symbolů, jako jsou „**NEBEZPEČÍ**“, „**VAROVÁNÍ**“ a „**UPOZORNĚNÍ**“. Nedodržení níže uvedených pokynů může mít za následek úraz elektrickým proudem, požár anebo vážná zranění osob.

## VÝZNAM SYMBOLŮ

**⚠ BEZPEČNOSTNÍ VÝSTRAŽNÉ SYMBOLY:** Označují **NEBEZPEČÍ**, **VAROVÁNÍ**, nebo **UPOZORNĚNÍ** a mohou se použít ve spojení s dalšími symboly nebo piktogramy.

**CZ**

## BEZPEČNOSTNÍ POKYNY

Na této stránce jsou zobrazeny a popsány bezpečnostní symboly, které se mohou na výrobku objevit. Před montáží a provozem si přečtěte, seznámte se a dodržujte veškeré pokyny ke stroji.



Bezpečnostní upozornění



Z důvodu snížení rizika úrazu si musí uživatel přečíst návod k obsluze.



Při práci s tímto výrobkem vždy používejte chrániče sluchu.



Při práci s tímto výrobkem vždy noste ochranné brýle nebo bezpečnostní brýle s bočními ochrannými štíty nebo obličejový štít.



Udržujte ostatní osoby ve vzdálenosti aspoň 15 m.



Garantovaná hladina akustického výkonu. Emise hluku do prostředí dle směrnice Evropského společenství.



Odpadní elektrické výrobky se nesmí likvidovat spolu s domovním odpadem. Odevzdejte je do autorizovaného recyklačního střediska.



Tento výrobek je v souladu s platnými směnicemi ES.



Stejnoseměrný proud



Posouzení shody ve Spojeném království



Neďívejte se upřeně na provozní kontrolku.



Symbol Bluetooth®

IPX5 Ochrana před vodními paprsky

kg Kilogram

B Napětí

m<sup>3</sup>/h Metr krychlový za hodinu

°C Celsius

m/s Metr za sekundu

N Newton

## TECHNICKÉ ÚDAJE

Napětí	56 V
Maximální objem vzduchu	1870 m <sup>3</sup> /h
Maximální rychlost proudění vzduchu	85 m/s
Maximální síla foukání	36 N
Provozní frekvenční pásmo Bluetooth	2400 až 2438 MHz
Maximální přenosový výkon Bluetooth	5 dBm
Hmotnost (bez akumulátoru)	9,6 kg
Doporučená provozní teplota	-15 °C až 40 °C
Doporučená teplota skladování	-20 °C až 70 °C
Měřená hladina akustického výkonu L <sub>WA</sub>	96 dB(A) K=1,4 dB(A)
Hladina akustického tlaku na sluch obsluhy L <sub>PA</sub>	83 dB(A) K=3 dB(A)
Zaručená úroveň akustického výkonu L <sub>WA</sub> (měřeno podle směrnice 2000/14/ES)	98 dB(A)
Vibrace a <sub>h</sub>	0,25 m/s <sup>2</sup> K=1,5 m/s <sup>2</sup>

- Celková deklarovaná hodnota vibrací byla naměřena podle standardní zkušební metody a lze ji použít ke srovnání s jiným nářadím;
- Celkovou deklarovanou hodnotu vibrací lze použít také k předběžnému stanovení expozičních limitů.

**ZOZNÁMKA:** Emise vibrací při konkrétním použití elektrického nářadí se mohou lišit od deklarované hodnoty, při které se nářadí používá; z důvodu ochrany provozovatele by měl uživatel ve skutečných pracovních podmínkách nosit rukavice a chrániče sluchu.

## OBSAH BALENÍ (OBR. A1)

### POPIS

#### SEZNAMTE SE SE SVÝM FOUKAČEM (obr. A1)

1. Nastavitelný nosný popruh
2. Svislá úložná spona

3. Batohová deska
4. Ovládací rukojeť
5. Zúžená tryska
6. Trubice foukače
7. Svorka trubice
8. Trubice ovládací rukojeti
9. Svorka ovládací rukojeti
10. Měchová svorka
11. Vlnovec
12. Přívod vzduchu
13. Pomocná rukojeť
14. Elektrické kontakty
15. Západka
16. Tlačítka pro uvolnění akumulátoru
17. Rukojeť
18. Přepínač rychlosti vzduchu
19. Tlačítko uzamčení rychlosti
20. LED světlo
21. LCD obrazovka
22. Tlačítko LED světel
23. Tlačítko turbo
24. Rychloupínací páčky
25. Bluetooth kontrolka
26. Palivoměr
27. Ikona ventilátoru
28. Kontrolka pro turbo
29. Kontrolka rychlosti vzduchu
30. Ikona uzamčení rychlosti
31. Symbol akumulátoru

## MONTÁŽ

**VAROVÁNÍ:** Pokud jsou některé díly poškozené, nebo chybí, nepoužívejte výrobek, dokud se díly nevymění. Použití tohoto výrobku s poškozenými nebo chybějícími díly může vést k vážnému úrazu.

**VAROVÁNÍ:** Nepokoušejte se výrobek upravovat ani vytvářet příslušenství, které se k tomuto foukači nedoporučuje. Každá taková změna nebo úprava je nesprávná a může vést k nebezpečné situaci, která může zapříčinit vážný úraz.

**VAROVÁNÍ:** Pokud provádíte montáž dílů, vždy vyjměte akumulátor z nářadí, aby nedošlo k neúmyslnému

CZ

spuštění, které může způsobit vážný úraz.

## MONTÁŽ TRUBIC FOUKAČE

### Připojení trubice ovládací rukojeti k vlnovci

1. Pro pohodlnou montáž umístěte foukač nosným svazkem směrem nahoru, jak je znázorněno na obr. B1.
2. Uvolněte a vyjměte dva šrouby na jedné straně měchové svorky, částečně otevřete měchovou svorku, ale ujistěte se, že je výstupek na okraji měchu zcela zasunut do drážky ve svorce (obr. B2).
3. Zasuňte zadní konec trubice ovládací rukojeti do měchu, dokud se zadní koncová plocha nedotkne koncové plochy měchové svorky (obr. B3).
4. Měchovou svorku lze zcela uzavřít, pokud je trubice ovládací rukojeti správně připojena k měchu. Pevně utáhněte šrouby měchové svorky (obr. B4).

B1-1	Podpůrný postroj	B1-2	Vlnovec
B2-1	Šrouby	B2-2	Otvor
B2-3	Výstupek	B2-4	Měchová svorka
B3-1	Trubice ovládací rukojeti	B3-2	Zadní část
B3-3	Povrch zadní části	B3-4	Koncový povrch měchové svorky

### Připojení trubice foukače k trubici ovládací rukojeti

1. Uvolněte a sejměte rychloupínací páčku a křídlovou matici ze sestavy svorky trubice upevněné na trubici foukače (obr. C1).
2. Zarovnejte drážku v trubici foukače s žebrem na trubici ovládací rukojeti, nasuňte trubici foukače přes trubici ovládací rukojeti až na doraz (obr. C2).
3. Vložte kolík rychloupínací páčky a zavřete páčku na svorce trubice (obr. C3).
4. Utáhněte křídlovou matici, abyste zajistili svorku trubice na místě (obr. C4).

C1-1	Trubice foukače	C1-2	Svorka trubice
C1-3	Rychloupínací páčka	C1-4	Křídlová matice
C2-1	Drážka trubice foukače	C2-2	Žebro trubice ovládací rukojeti

### Připojení zúžené trysky k trubici foukače

1. Zarovnejte drážku v trysce se západkou na trubici. Zatlačte trysku na trubici, dokud bezpečně nezapadne na místo (obr. D1).
2. **Chcete-li trysku vyjmout**, stiskněte a podržte tlačítko pro uvolnění trysky, aby se uvolnila západka, a poté vytáhněte trysku přímo z trubky foukače (obr. D2).

D1-1	Tlačítko pro uvolnění trysky	D1-2	Západka
------	------------------------------	------	---------

## OBSLUHA

**VAROVÁNÍ:** Dbejte na to, abyste po seznámení s výrobkem nepřestali být opatrní. Nezapomínejte, že stačí chvíle nepozornosti a může se stát vážný úraz.

**VAROVÁNÍ:** Nepoužívejte nástavce nebo příslušenství, které nedoporučuje výrobce tohoto výrobku. Použití nedoporučených nástavců a příslušenství může vést k vážnému úrazu.

**VAROVÁNÍ:** Pokud provádíte montáž dílů, úpravy, čištění nebo foukač dlouhodobě nepoužíváte, vždy vyjměte akumulátor. Vyjmutím akumulátoru zabráníte náhodnému spuštění, které by mohlo způsobit vážné zranění.

Před každým použitím zkontrolujte celý výrobek, zda není poškozen, nechybí nebo nejsou uvolněné žádné díly, jako např. vruty, matice, šrouby, uzávěry atd. Pevně utáhněte všechny upevňovací prvky a uzávěry a výrobek nepoužívejte, dokud se nevymění všechny chybějící nebo poškozené díly.

## POUŽITÍ

Výrobek lze použít k následujícím účelům:

- Odklizení listí a různého zahradního odpadu z trávníků a mulčovacích záhonů.
- Čištění pevných povrchů, jako např. příjezdových cest a chodníků.
- Udržování ploch a příjezdových cest bez listí a jehličí.

**POZNÁMKA:** Přístroj se smí používat pouze k vyhrazenému účelu. Jakékoliv jiné použití se považuje za zneužití.

## INSTALACE/VYJMUTÍ AKUMULÁTORU

Používejte pouze EGO akumulátory a nabíječky uvedené na obr. A2.

Další podrobnosti naleznete v příslušných příručkách k akumulátorům a nabíječkám.

**Před prvním použitím akumulátor plně nabijte.**

**POZNÁMKA:** Pro dosažení nejlepšího výkonu

doporučujeme použít 56V akumulátor EGO BA3360T (6,0 Ah) nebo jiný 56V akumulátor EGO s vyšší kapacitou Ah.

Foukač má dva aktivní akumulátorové porty umístěné na levé a pravé straně krytu bateriového portu.

**POZNÁMKA:** Foukač může pracovat na jeden nebo dva akumulátory. Použití dvou akumulátorů vám poskytne delší dobu provozu a efektivní odběr energie řízený technologií PEAK POWER™.

Po vložení akumulátorů do odpovídajících akumulátorových portů označených 1 nebo 2 na desce batohu a zapnutí foukače se na LCD obrazovce rozsvítí odpovídající ikona akumulátoru (obr. E1).

### Připojení (obr. E2)

Zarovnejte žebra akumulátoru s montážními otvory v jednom z nich a zatlačte akumulátor dolů, dokud neuslyšíte „cvaknutí“. Připojte druhý akumulátor.

### Vyjmutí

Stiskněte tlačítko pro uvolnění akumulátoru a vytáhněte jej.

**VAROVÁNÍ:** Při stisku tlačítka pro uvolnění akumulátoru dávejte pozor na nohy, děti nebo domácí zvířata. Pokud akumulátor upadne, může dojít k vážnému úrazu. NIKDY nevyjímejte akumulátor, když jste ve vysoké poloze.

E1-1	Číslo akumulátorových portů	E1-2	LCD obrazovka
E1-3	Symbol akumulátoru	E2-1	Žebro akumulátoru
E2-2	Instalační otvor	E2-3	Tlačítko pro uvolnění akumulátoru

### UMÍSTĚNÍ ZÁDOVÉHO FOUKAČE

**VAROVÁNÍ:** Správně se oblečte, abyste snížili riziko zranění při obsluze tohoto stroje. Nenoste volný oděv ani šperky. Používejte ochranu očí a chrániče sluchu. Noste silné, dlouhé kalhoty, pevné boty a rukavice. Nenoste krátké kalhoty, sandály ani nechoďte bosí.

Před použitím zádového foukače se ujistěte, že má obsluha nasazenou ochranu očí a vhodný oděv a může si udržet bezpečný a vyvážený postoj.

### Nastavení podpůrného postroje

1. Zatáhněte za oba popruhy desky batohu a ujistěte se, že je postroj bezpečně připevněn k desce batohu (obr. F1).
2. V případě potřeby si nastavte zádové a bederní polštářky tak, aby vám vyhovovaly.

- Uvolněte ramenní popruhy, odlepte zadní polštářky od suchého zipu a přešuněte polštářky do požadované polohy, poté zatáhněte za ramenní popruhy, abyste zajistili polštářky pro váš batoh (obr. F2).

**POZNÁMKA:** Vodorovné čáry na zadních podložkách pomáhají nastavit obě podložky ve stejné úrovni.

- Odlepte bederní podložku ze suchého zipu a přešuněte ji do požadované polohy (obr. F3).
3. Vložte ruce do popruhů pro nošení foukače na zádech. Dočasně nastavte hrudní popruhy do pohodlných poloh a dbejte na to, abyste při držení ovládací rukojeti měli pohodlí v pravém lokti (obr. F4).
  4. Zaklapněte pasovou přezku a nastavte délku tak, aby byl popruh na zádech pevně podporován vašimi boky. Pokud se přezka v pase špatně zapíná, upravte dva boční popruhy na každé straně tak, aby to šlo snadno (obr. F5).

**POZNÁMKA:** Popruh by neměl být příliš vysoko na zádech; měl by být umístěn blíže k bokům než k vašim ramenům.

**VAROVÁNÍ:** V případě nouze okamžitě uvolněte bederní přezku a sundejte postroj. Toto je metoda rychlého uvolnění.

5. Upravte si hrudní popruhy pro větší bezpečnost a pohodlí. Ujistěte se, že popruh pevně sedí na zádech, s váhou podporovanou pasovou přezkou a bez nadměrného pohybu při přesunu (obr. F6).
6. Případné přebytečné délky popruhů zasuňte do gumy (obr. F7).
7. Pro bezpečný provoz je k dispozici několik reflexních proužků. Dbejte na to, abyste během provozu reflexní proužky nezakrývali (obr. F8).
8. **Chcete-li popruh odepnout ze zad,** stačí stisknout sponu v pase. Ta se uvolní a foukač se spustí k zemi (obr. F9).

F1-1	Popruhy	F1-2	Batohová deska
F2-1	Ramenní popruh	F2-2	Vodorovné čáry
F3-1	Podložka pod řezivo	F4-1	Hrudní popruhy
F5-1	Bederní popruhy	F5-2	Pásová přezka
F5-3	Boční popruhy	F7-1	Gumička
F7-2	Délka popruhu navíc	F8-1	Reflexní proužky

## Nastavení ovládací rukojeti

1. Uvolněním páčky rychlého uvolnění posuňte ovládací rukojeť vpřed nebo vzad podle potřeby (obr. G1 a G2) a poté páčku rychlého uvolnění zajistěte, abyste ovládací rukojeť zajistili na místě.
2. Pro větší pohodlí můžete také otočit rukojeť podle potřeby (obr. G3).

G1-1	Ovládací rukojeť	G1-2	Rychloupínací páčka
------	------------------	------	---------------------

## Nastavení délky trubice ovládací rukojeti (Obr. H1, H2)

1. Uvolněte rychloupínací páčku (obr. H1).
2. Posuňte trubici foukače do pohodlné provozní polohy v rámci nastavovací zóny (obr. H2).
3. Zasuňte rychloupínací páčku, abyste zajistili trubici foukače na místě (obr. H2).

H1-1	Rychloupínací páčka	H2-1	Trubice foukače
H2-2	Nastavovací zóna		

## CZ

## SPUŠTĚNÍ/VYPNUTÍ FOUKAČE

**POZNÁMKA:** Ventilátor se nemusí řádně spustit, pokud je teplota baterie -15 °C nebo méně. V takovém případě vyjměte baterii z ventilátoru a nechte baterii a ventilátor zahřát v interiéru po dobu 10 minut nebo déle. Znovu vložte baterii a zkuste to znovu.

### Přepínač rychlosti vzduchu (obr. I1, I2)

- Stisknutím přepínače rychlosti vzduchu foukač zapnete, poté se na LCD obrazovce zobrazí ukazatel paliva, ikona akumulátoru a ukazatel rychlosti vzduchu.

**POZNÁMKA:** 1 LED dioda ukazatele nabití na LCD obrazovce bliká, když je baterie téměř vybitá.

- Rychlost vzduchu foukače je řízena spouští s proměnnou rychlostí. Více tlaku na spoušť zvýší rychlost foukání, méně tlaku na spoušť rychlost foukání sníží. Upravte rychlost tak, aby vyhovovala aktuálnímu úkolu. Na LCD obrazovce se zobrazí odpovídající indikátor rychlosti vzduchu.
- Chcete-li foukač vypnout, uvolněte spoušť pro ovládání proudění vzduchu. Displej LCD se po určitém čase po uvolnění přepínače vypne.

**POZNÁMKA:** Pokud je použit akumulátor s kapacitou nižší než 4 Ah, je rychlost letu omezena pouze na dva takty.

## Režim turbo

Stisknutím a podržením přepínače rychlosti vzduchu zvýšíte průtok vzduchu na maximální rychlost (obr. I1). Na displeji LCD obrazovce se rozsvítí indikátor turba i ikona ventilátoru (obr. I3).

**POZNÁMKA:** Po uvolnění tlačítka turbo se ventilátor vrátí na předchozí rychlost.

## Režim uzamčení rychlosti

Blokování rychlosti lze použít k ovládnání foukače bez nepřetržitého stisknutí spouště rychlosti vzduchu.

1. Stiskněte přepínač rychlosti vzduchu, dokud nedosáhnete požadované rychlosti (obr. I1).
2. Stiskněte tlačítko uzamčení rychlosti. Na LCD obrazovce se rozsvítí ikona zámku rychlosti (obr. I4).
3. Pak uvolněte přepínač rychlosti vzduchu, foukač bude pokračovat v chodu s „požadovanou“ rychlostí.

**POZNÁMKA:** Stisknutím tlačítka turbo v režimu uzamčení rychlosti můžete uzamknout rychlost vzduchu na maximální úroveň. Po opětovném stisknutí tlačítka turbo se foukač vrátí na předchozí rychlost.

4. **Chcete-li zámek rychlosti uvolnit,** stiskněte znovu tlačítko zámku rychlosti. Ikona uzamčení rychlosti z LCD displeje zmizí a ventilátor se vypne.

I1-1	Tlačítko turbo	I1-2	Tlačítko uzamčení rychlosti
I1-3	Přepínač rychlosti vzduchu	I2-1	Palivoměr
I2-2	Kontrolka rychlosti vzduchu	I2-3	Symbol akumulátoru
I3-1	Ikona ventilátoru	I3-2	Kontrolka pro turbo
I4-1	Ikona uzamčení rychlosti		

## LED SVĚTLO (obr. J)

LED světlo se nachází v přední části ovládací rukojeti. Poskytuje osvětlení pro lepší viditelnost.

Jedním stisknutím tlačítka LED světlo zapnete, dalším stisknutím světlo vypnete. Po přibližně 5 minutách nečinnosti ventilátoru se také automaticky vypne.

J-1	Tlačítko LED světel	J-2	LED světlo
-----	---------------------	-----	------------

## KOMUNIKAČNÍ TECHNOLOGIE

Informace o kompletní nabídce připojovaných výrobků a o službách, včetně pokynů pro připojení, najdete po naskenování QR kódu níže nebo na adrese

[www.egopowerplus.eu/connect](http://www.egopowerplus.eu/connect).



## TIPY PRO POUŽÍVÁNÍ FOUKAČE

- Aby se nečistoty nerozptýlily, foukejte kolem vnějšího okraje hromady nečistot. Nikdy nefoukejte přímo do středu hromady.
- Chcete-li snížit hladinu hluku, omezte počet kusů použitého vybavení.
- K uvolnění nečistot před foukáním použijte hrábě a košťata. V prašném prostředí povrch lehce navlhčete, pokud máte k dispozici vodu.
- Dávejte pozor na děti, domácí zvířata, otevřená okna nebo čerstvě umytá auta a foukejte nečistoty bezpečně jiným směrem.
- Po použití foukačů nebo jiného zařízení ukliděte! Nečistoty řádně správně zlikvidujte.

## ÚDRŽBA

**VAROVÁNÍ:** Při opravách používejte pouze originální náhradní díly. Použití jiných dílů může představovat riziko nebo může způsobit poškození výrobku. Z důvodu zajištění bezpečnosti a spolehlivosti musí všechny opravy provádět kvalifikovaný servisní technik.

**VAROVÁNÍ:** Aby nedošlo k vážnému úrazu, vždy při čištění nebo jiné údržbě vyjměte z výrobku akumulátor.

## CELKOVÁ ÚDRŽBA

K čištění plastových dílů nepoužívejte rozpouštědla. Většina plastů je náchylná k poškození různými typy komerčních rozpouštědel a jejich použití je může poškodit. K odstranění nečistot, prachu, oleje, maziva atd. použijte čistý hadr.

**VAROVÁNÍ:** Nikdy nedovolte, aby došlo ke styku plastových částí s brzdovými kapalinami, benzínem, ropnými produkty, penetračními oleji atd. Chemické látky mohou poškodit, zeslabit nebo poškodit plast, což může vést k vážnému úrazu.

**VAROVÁNÍ:** Abyste snížili riziko požáru, zranění osob a poškození výrobku v důsledku zkratu, nikdy neponořujte stroj, akumulátor nebo nabíječku do kapaliny ani nedovolte, aby do nich proudila tekutina. Korozivní nebo vodivé kapaliny, jako je mořská voda, určité průmyslové chemikálie a výrobky obsahující bělidla nebo bělidla atd., mohou způsobit zkrat.

## SKLADOVÁNÍ

- Vyjměte akumulátory z foukače.
- Odstraňte všechny nečistoty z přívodů vzduchu foukače.
- Zaklapněte svislou úložnou sponu a zahákněte trubici foukače za kryt bateriového portu (obr. K).
- Skladujte v uzavřeném prostoru, který není přístupný dětem. Uchovávejte v bezpečné vzdálenosti od korozivních látek, jako jsou chemické látky a rozmrazovací soli.

K-1	Svislá úložná spona
-----	---------------------

## OCHRANA ŽIVOTNÍHO PROSTŘEDÍ



Elektrické zařízení, použité akumulátory a nabíječku nevhazujte do domovního odpadu! Předějte tento výrobek autorizované recyklační společnosti ke tříděnému sběru. Elektrické nářadí musí být vráceno do zařízení pro ekologickou recyklaci.

GZ

## ODSTRAŇOVÁNÍ ZÁVAD

PROBLÉM	PŘÍČINA	ŘEŠENÍ
Foukač nefunguje.	<ul style="list-style-type: none"> <li>■ K ventilátoru není připojena baterie.</li> <li>■ Mezi foukačem a baterií není žádný elektrický kontakt.</li> <li>■ Baterie je vybitá.</li> <li>■ Baterie ventilátoru je příliš horká.</li> <li>■ Poškozený přepínač rychlosti vzduchu.</li> <li>■ Baterie ventilátoru je příliš studená.</li> </ul>	<ul style="list-style-type: none"> <li>■ Připojte akumulátor k foukači.</li> <li>■ Vyměňte akumulátor, zkontrolujte kontakty a znovu jej nainstalujte.</li> <li>■ Nabijte baterii.</li> <li>■ Chlaďte akumulátor a foukač, dokud teplota neklesne pod 67 °C.</li> <li>■ Pro pomoc kontaktujte zákaznický servis společnosti EGO.</li> <li>■ Vyměňte baterii, nechte baterii a ventilátor zahřát v interiéru. Doporučíme plně nabít baterii a spustit ventilátor na nízkou rychlost bez aktivace režimu Turbo.</li> </ul>
Po stisknutí přepínače rychlosti vzduchu se na displeji LCD zobrazí pouze dvě spodní ikony rychlosti vzduchu.	<ul style="list-style-type: none"> <li>■ Je použita baterie s nízkou kapacitou Ah.</li> </ul>	<ul style="list-style-type: none"> <li>■ Používejte baterie s kapacitou 4,0 Ah nebo vyšší.</li> </ul>
Režim uzamčení rychlosti nelze zapnout ani vypnout.	<ul style="list-style-type: none"> <li>■ Poškozené tlačítko uzamčení rychlosti.</li> </ul>	<ul style="list-style-type: none"> <li>■ Pro pomoc kontaktujte zákaznický servis společnosti EGO.</li> </ul>
Rychlost vzduchu se znatelně snížila.	<ul style="list-style-type: none"> <li>■ Nabití akumulátoru je nízké.</li> <li>■ Nadměrné opotřebení motoru ventilátoru.</li> <li>■ Přívod vzduchu je zablokovaný nečistotami.</li> </ul>	<ul style="list-style-type: none"> <li>■ Nabijte baterii.</li> <li>■ Pro opravu kontaktujte servis EGO.</li> <li>■ Vyměňte akumulátor, odstraňte nečistoty.</li> </ul>
LCD obrazovka nefunguje správně.	<ul style="list-style-type: none"> <li>■ LCD obrazovka nebo kabelové připojení jsou poškozené.</li> </ul>	<ul style="list-style-type: none"> <li>■ Pro opravu kontaktujte servis EGO.</li> </ul>
1 LED dioda ukazatele nabití na LCD obrazovce bliká.	<ul style="list-style-type: none"> <li>■ Nabití akumulátoru je nízké.</li> </ul>	<ul style="list-style-type: none"> <li>■ Nabijte baterii.</li> </ul>

CZ

## ZÁRUKA

### ZÁRUČNÍ PODMÍNKY SPOLEČNOSTI EGO

Úplné znění záručních podmínek společnosti EGO naleznete na webových stránkách [egopowerplus.eu](http://egopowerplus.eu).



## PREČÍTAJTE SI VŠETKY POKYNY!



PREČÍTAJTE SI NÁVOD NA OBSLUHU

**VAROVANIE:** Pre zaistenie bezpečnosti a spoľahlivosti je nevyhnutné, aby všetky opravy vykonával len kvalifikovaný servisný technik.

## BEZPEČNOSTNÉ SYMBOLY

Účelom bezpečnostných symbolov je upozorniť na možné nebezpečenstvá. Venujte príslušnú pozornosť a pochopte bezpečnostné symboly a ich vysvetlenia. Varovné symboly, samy o sebe, nedokážu eliminovať nebezpečenstvo. Pokyny a varovania, ktoré obsahujú, nie sú náhradou za vhodné opatrenia na prevenciu úrazov.

**VAROVANIE:** Pred použitím tohto stroja si prečítajte a pochopte všetky bezpečnostné pokyny v tomto návode na obsluhu vrátane všetkých bezpečnostných výstražných symbolov ako napríklad „**NEBEZPEČENSTVO**“, „**VAROVANIE**“ a „**UPOZORNENIE**“. Nedodržanie nižšie uvedených pokynov môže mať za následok úraz elektrickým prúdom, požiar a/alebo vážne zranenie.

## VÝZNAM SYMBOLU

**BEZPEČNOSTNÝ VÝSTRAŽNÝ SYMBOL:** Označuje **NEBEZPEČENSTVO**, **VAROVANIE** alebo **UPOZORNENIE**. Môže sa použiť spoločne s inými symbolmi alebo piktogramami.

## BEZPEČNOSTNÉ POKYNY

Táto strana zobrazuje a popisuje bezpečnostné symboly, ktoré sa objavujú na tomto výrobku. Pred pokusom o zostavenie a prevádzkovanie si prečítajte, pochopte a dodržiavajte všetky pokyny na stroji.

SK



Bezpečnostné upozornenie



Pri práci s týmto výrobkom vždy používajte ochranu sluchu.



Udržiavajte okolostojace osoby vo vzdialenosti aspoň 15 m.



Odpadové elektrické výrobky sa nesmú likvidovať spolu s domovým odpadom. Odovzdajte do autorizovaného recyklačného strediska.



Jednosmerný prúd



Nepozerajte sa do prevádzkového svetla.

IPX5

Ochrana pred prúdom vody

B

Napätie

°C

Celcius

N

Newton



Používateľ si musí prečítať návod na obsluhu, aby znížil riziko úrazu.



Pri práci s týmto výrobkom vždy noste ochranné okuliare alebo ochranné okuliare s postrannými krytmi a celotvárový štít.



Garantovaná hladina akustického výkonu. Emisie hluku do prostredia podľa smernice Európskeho spoločenstva.



Tento výrobok je v súlade s platnými smernicami ES.



Posúdenie zhody v Spojenom kráľovstve



Symbol Bluetooth®

kg

Kilogram

m<sup>3</sup>/h

Meter kubický za hodinu

m/s

Meter za sekundu

## TECHNICKÉ ÚDAJE

Napätie	56 V
Maximálny objem vzduchu	1870 m <sup>3</sup> /h
Maximálna rýchlosť vzduchu	85 m/s
Maximálna sila fúkania	36 N
Prevádzkové frekvenčné pásmo Bluetooth	2400-2438 MHz
Maximálny prenosový výkon Bluetooth	5 dBm
Hmotnosť (bez akumulátora)	9,6 kg
Odporúčaná prevádzková teplota	-15°C - 40°C
Odporúčaná skladovacia teplota	-20°C - 70°C
Nameraná hladina akustického výkonu L <sub>WA</sub>	96 dB(A) K=1,4 dB(A)
Hladina akustického tlaku na uši obsluhy L <sub>PA</sub>	83 dB(A) K=3 dB(A)
Garantovaná hladina akustického výkonu L <sub>WA</sub> (merané podľa 2000/14/ES)	98 dB(A)
Vibrácie a <sub>h</sub>	0,25 m/s <sup>2</sup> K=1,5 m/s <sup>2</sup>

- Deklarovaná celková hodnota vibrácií bola meraná v súlade so štandardnou skúšobnou metódou a môže sa použiť na vzájomné porovnanie jednotlivých náradí;
- Uvádzaná celková hodnota vibrácie sa môže použiť aj na predbežný odhad expozície.

**POZNÁMKA:** Emisia vibrácií pri skutočnom používaní náradia sa môže odlišovať od deklarovanej hodnoty, pri akej sa nástroj používa; za účelom ochrany obsluhy má používateľ v skutočných podmienkach použitia nosiť rukavice a ochranu sluchu.

## OBSAH BALENIA (OBR. A1)

### POPIS

#### ZOZNÁMTE SA S VAŠIM DÚCHADLOM (obr. A1)

1. Nastaviteľné nosné popruhy
2. Vzpriamená úložná spona

3. Batohová doska
4. Ovládacia rukoväť
5. Zúžená tryska
6. Trubica dúchadla
7. Svorka trubice
8. Trubica ovládacej rukoväti
9. Svorka ovládacej rukoväti
10. Svorka vlnovca
11. Vlnovec
12. Prívod vzduchu
13. Pomocná rukoväť
14. Elektrické kontakty
15. Západka
16. Tlačidlá uvoľnenia akumulátora
17. Rukoväť
18. Ovládač prúdenia vzduchu
19. Tlačidlo uzamknutia rýchlosti
20. LED svetlo
21. LCD obrazovka
22. Vypínač LED svetiel
23. Tlačidlo turbo
24. Rýchlopúlnacie páčky
25. Indikátor Bluetooth
26. Palivomer
27. Ikona ventilátora
28. Kontrolka turbo
29. Indikátor rýchlosti vzduchu
30. Ikona uzamknutia rýchlosti
31. Ikona akumulátora

## MONTÁŽ

**VAROVANIE:** Ak akýkoľvek diel chýba, alebo je poškodený, nepoužívajte tento výrobok, kým nie sú vymenené diely. Ak používate tento výrobok s poškodenými alebo chýbajúcimi časťami, môže dôjsť k vážnemu zraneniu.

**VAROVANIE:** Nepokúšajte sa upravovať tento výrobok alebo vytvoriť príslušenstvo, ktoré nie je odporúčané na použitie s týmto dúchadlom. Každá takáto zmena alebo modifikácia sa považuje za zneužitie a môže spôsobiť nebezpečný stav, ktorý vedie k možnému vážnemu zraneniu.

**VAROVANIE:** Pri montáži dielov vždy vyberte akumulátory z náradia, aby ste zabránili náhodnému spusteniu, ktoré by mohlo spôsobiť vážne zranenia.

## MONTÁŽ TRUBÍC DÚCHADLA

### Pripojenie trubice ovládacej rukoväte k vlnovcu

1. Pre pohodlnú montáž umiestnite dýchadlo nosným zväzkom smerom nahor, ako je znázornené na obr. B1.
2. Uvoľnite a odstráňte dve skrutky z jednej strany svorky vlnovca, čiastočne otvorte svorku vlnovca, ale uistite sa, že výstupok na okraji vlnovca je úplne zasunutý do drážky v svorke (obr. B2).
3. Zadný koniec rúrky ovládacej rukoväte zasuňte do vlnovca, až kým sa zadný koncový povrch nedotkne koncového povrchu svorky vlnovca (obr. B3).
4. Svorka vlnovca môže byť úplne zatvorená, keď je rúrka ovládacej rukoväte správne pripojená k vlnovcu. Bezpečne utiahnite skrutky svorky vlnovca (obr. B4).

B1-1	Podporný postroj	B1-2	Vlnovec
B2-1	Skrutky	B2-2	Otvor
B2-3	Jazyček	B2-4	Svorka vlnovca
B3-1	Trubica ovládacej rukoväti	B3-2	Zadná časť
B3-3	Povrch zadnej časti	B3-4	Koncový povrch vlnovcovej svorky

### Pripojenie trubice dýchadla k trubici ovládacej rukoväti

1. Uvoľnite a vyberte rýchloupínaciu páčku a krídlovú maticu zo zostavy trubice svorky upevnenej na trubici dýchadla (obr. C1).
2. Zarovnajte drážku v trubici dýchadla s rebrom na trubici ovládacej rukoväti, posuňte trubicu dýchadla cez trubicu ovládacej rukoväti tak ďaleko, ako to pôjde (obr. C2).
3. Zasuňte kolík rýchloupínacej páčky a zatvorte páčku na svorku trubice (obr. C3).
4. Utiahnite krídlovú maticu, aby ste upevnili svorku trubice (obr. C4).

C1-1	Trubica dýchadla	C1-2	Svorka trubice
C1-3	Rýchloupínacia páčka	C1-4	Krídlová matica
C2-1	Drážka výduchu dýchadla	C2-2	Rebro výduchu ovládacej rukoväti

### Pripojenie zúzenej trysky na trubicu dýchadla

1. Zarovnajte drážku v tryske so západkou na trubici. Zatlačte trysku na trubicu, kým bezpečne nezapadne na miesto (obr. D1).
2. Ak chcete vybrať trysku, stlačte a podržte tlačidlo uvoľnenia trysky, aby sa uvoľnila západka, a potom vytiahnite trysku priamo z trubice dýchadla (obr. D2).

D1-1	Tlačidlo na uvoľnenie trysky	D1-2	Západka
------	------------------------------	------	---------

## PREVÁDZKA

**VAROVANIE:** Nedovoľte, aby dlhodobá skúsenosť práce s týmto výrobkom spôsobila vašu neopatrnosť. Pamätajte na to, že aj chvíľková neopatrnosť stačí na to, aby spôsobila vážny úraz.

**VAROVANIE:** Nepoužívajte žiadne doplnky alebo príslušenstvo, ak ho neodporúča výrobca uvedeného výrobku. Používanie nástavcov alebo príslušenstva, ktoré nie je odporúčané, môže viesť k vážnemu zraneniu osôb.

**VAROVANIE:** Vždy vyberte akumulátory z nástroja pri montáži dielov, vykonávaní úprav, čistení, alebo keď sa nepoužíva. Vybratie akumulátorov zabráni náhodnému spusteniu, ktoré by mohlo viesť k vážnemu zraneniu.

Pred každým použitím skontrolujte, či na zariadení nie sú poškodené, chýbajúce alebo uvoľnené časti, napríklad skrutky, matice, závit, uzávery, atď.. Bezpečne utiahnite všetky upevňovacie prvky a uzávery a nepoužívajte tento výrobok, kým nebudú vymenené všetky chýbajúce alebo poškodené diely.

## POUŽITIE

Tento výrobok môžete použiť na tieto uvedené účely:

- Odstraňovanie lístia a rôzneho odpadu z trávnikov a mulčovacích záhonov.
- Čistenie tvrdých povrchov, ako sú príjazdové cesty a chodníky.
- Udržiavanie plôch a príjazdových ciest bez listov a ihličia.

**POZNÁMKA:** Nástroje sa musí používať v súlade s účelom použitia. Každé iné použitie sa považuje za prípad nevhodného použitia.

## PRIPOJENIE/ODPOJENIE AKUMULÁTORA

Používajte iba EGO akumulátory a nabíjačky uvedené na obr. A2.

Ďalšie podrobnosti nájdete v príslušných návodoch pre

SK

akumulátory a nabíjačky.

## Pred prvým použitím úplne nabite.

**POZNÁMKA:** Na dosiahnutie najlepšieho výkonu odporúčame používať 56 V akumulátor EGO BA3360T (6,0 Ah) alebo iné 56 V akumulátory EGO s vyššou kapacitou Ah.

Dúchadlo má dve aktívne priehradky na akumulátor na ľavej a pravej strane krytu portu pre akumulátor.

**POZNÁMKA:** Dúchadlo môže fungovať na jeden alebo dva akumulátory. Použitie dvoch akumulátorov vám poskytne dlhšiu dobu prevádzky a efektívny odber energie riadený technológiou PEAK POWER™.

Keď sú akumulátory vložené do príslušných akumulátorových portov označených 1 alebo 2 na batohovú dosku a dúchadlo je zapnuté, na LCD obrazovke sa rozsvieti príslušná ikona akumulátora (obr. E1).

## Pripojenie (obr. E2)

Zarovnajte rebrá s montážnymi otvormi v jednom z nich a zatlačte akumulátor, kým nebudete počuť „cvaknutie“. Pripojte druhý akumulátor.

## Odpojenie

Stlačte tlačidlo na uvoľnenie akumulátora a vytiahnite akumulátor.

**VAROVANIE:** Vždy majte na pamäti umiestnenie vašich nôh, polohu detí, či zvierat pri stlačení tlačidla pre uvoľnenie akumulátora. Mohlo by dôjsť k vážnemu zraneniu v prípade vypadnutia akumulátora. NIKDY nevyberajte akumulátor, ak sa nachádzate vo vysokej polohe.

E1-1	Číslo portov akumulátora	E1-2	LCD obrazovka
E1-3	Ikona akumulátora	E2-1	Rebro akumulátora
E2-2	Montážny otvor	E2-3	Tlačidlo na uvoľnenie akumulátora

## UMIESTNENIE BATOHOVÉHO DÚCHADLA

**VAROVANIE:** Správne sa oblečte, aby ste znížili riziko zranenia pri obsluhu tohto stroja. Nenoste šperky alebo voľný odev. Používajte ochranu očí a sluchu. Oblečte si odolné, dlhé nohavice, vysoké topánky a rukavice. Nenoste krátke nohavice, sandále alebo nebuďte naboso.

Pred použitím batohového dúchadla sa uistite, že obsluha má na sebe ochranu očí a vhodný odev a že dokáže udržať bezpečný a vyvážený postoj.

## Nastavenie nosných popruhov

- Potiahnite za dva popruhy zadnej podložky batohu a uistite sa, že je postroj bezpečne pripravený k doske batohu (obr. F1).
- V prípade potreby si nastavte chrbtové vypchávký a bedrovú podložku podľa svojho pohodlia.
  - Uvoľnite ramenné popruhy, odlepte zadné chrániče zo suchého zipsu a posuňte chrániče do požadovanej polohy, potom potiahnite ramenné popruhy, čím chrániče upevníte na batoh (obr. F2).
- POZNÁMKA:** Vodorovné čiary na zadných podložkách pomáhajú nastaviť obe podložky na rovnakú úroveň.
  - Odlepte bedrovú podložku zo suchého zipsu a posuňte ju do požadovanej polohy (obr. F3).
- Preveďte si ruky cez ramenné popruhy, aby ste mohli niesť dúchadlo na chrbte. Dočasne nastavte hrudné popruhy do pohodlnej polohy a dbajte na to, aby bol laktej pravej ruky pri držaní riadiacej páky pohodlne uložený (obr. F4).
- Zaklapnite driekovú sponu a nastavte dĺžku tak, aby batoh bol pevne podporovaný vašimi bokmi. Ak sa spona v páse ťažko zapína, upravte dva bočné popruhy na každej strane tak, aby to išlo jednoduchšie (obr. F5).

**POZNÁMKA:** Postroj by nemal sedieť príliš vysoko na chrbte; mal by byť umiestnený bližšie k bokom ako k ramenám.

- VAROVANIE:** V prípade núdze ihneď uvoľnite bedrovú pracku, aby ste si mohli postroj vyzliecť. Ide o metódu rýchleho uvoľnenia.
- Nastavte si hrudné popruhy, aby boli bezpečné a pohodlné. Tým zaistíte, že batoh bude pevne sedieť na chrbte. Jeho hmotnosť bude podporovaná driekovým pásmom bez nadmerného pohybu pri chôdzi (obr. F6).
- Prečnievajúce popruhy zasuňte do gumového prvku (obr. F7).
- Na bezpečnú prevádzku slúži niekoľko svetelných reflexných prúžkov. Dbajte na to, aby ste počas prevádzky nezakrývali svetelné reflexné prúžky (obr. F8).
- Ak chcete postroj odpojiť od chrbta**, stačí stlačiť sponu v páse, aby sa uvoľnila. Dôjde k spusteniu dúchadla (obr. F9).

F1-1	Popruhy	F1-2	Batoňová doska
F2-1	Ramenné popruhy	F2-2	Vodorovné čiary
F3-1	Bedrová podložka	F4-1	Hrudné popruhy
F5-1	Bedrové popruhy	F5-2	Pásová spona
F5-3	Bočné popruhy	F7-1	Gumička
F7-2	Precnievajúca dĺžka popruhu	F8-1	Reflexné pružky

### Nastavenie ovládatej rukoväte

1. Uvoľníte rýchlopínaciu páčku a posuňte ovládaciu rukoväť dopredu alebo dozadu podľa potreby (obr. G1 a G2) a potom dotiahnite rýchlopínaciu páčku, aby ste zaistili ovládaciu rukoväť na mieste.
2. Môžete tiež otočiť rukoväť podľa potreby pre väčšie pohodlie (obr. G3).

G1-1	Ovládacia rukoväť	G1-2	Rýchlopínacia páčka
------	-------------------	------	---------------------

### Nastavenie dĺžky trubice ovládatej rukoväte (Obr. H1, H2)

1. Uvoľníte rýchlopínaciu páčku (obr. H1).
2. Presuňte výdych dýchadla do pohodlnej pracovnej polohy v rámci zóny nastavenia (obr. H2).
3. Uťahnite rýchlopínaciu páčku pre zaistenie trubice dýchadla na mieste (obr. H2).

H1-1	Rýchlopínacia páčka	H2-1	Trubica dýchadla
H2-2	Zóna nastavenia		

### SPUSTENIE/ZASTAVENIE DÚCHADLA

**POZNÁMKA:** Dýchadlo sa nemusí správne spustiť, ak je teplota akumulátora alebo dýchadla  $-15^{\circ}\text{C}$  alebo nižšia. V takom prípade vyberte akumulátor z dýchadla, nechajte akumulátor a dýchadlo zahriať v interiéri po dobu 10 minút alebo dlhšie. Znova vložte akumulátor a skúste to znova.

### Ovládač prúdenia vzduchu (obr. I1 a I2)

- Stlačením ovládača rýchlosti vzduchu stroj zapnete, potom sa na LCD obrazovke zobrazí ukazovateľ paliva, ikona akumulátora, indikátor rýchlosti vzduchu.

**POZNÁMKA:** 1 LED kontrolka palivomera na LCD obrazovke bliká, keď úroveň nabitia akumulátora je nízka.

- Rýchlosť vzduchu dýchadla sa ovláda ovládačom prúdenia vzduchu. Väčší tlak na ovládač má za

následok vyššie rýchlosti fúkania; menší tlak na spúšť má za následok nižšie rýchlosti fúkania. Nastavte rýchlosť tak, aby vyhovovala vykonávanej úlohe. Na LCD obrazovke sa zobrazí príslušný indikátor rýchlosti vzduchu.

- Uvoľnením ovládača dýchadlo vypnete. Obrazovka LCD sa vypne do určitého času po uvoľnení ovládača.

**POZNÁMKA:** Ak sa používa akumulátor s kapacitou nižšou ako 4 Ah, rýchlosť vzduchu je obmedzená len na dva stupne.

### Režim turbo

Kým je stlačený a držaný ovládač rýchlosti vzduchu, stlačte tlačidlo turbo, aby ste zvýšili prietok vzduchu na maximálnu rýchlosť (obr. I1). Na LCD obrazovke sa rozsvieti indikátor turbo a ikona ventilátora (obr. I3).

**POZNÁMKA:** Po uvoľnení tlačidla turbo sa dýchadlo vráti na predchádzajúcu rýchlosť.

### Režim uzamknutia rýchlosti

Uzamknutie rýchlosti možno použiť na ovládanie dýchadla bez neustáleho stlačenia spúšťača otáčok vzduchu.

1. Stlačíte ovládač rýchlosti vzduchu, kým nedosiahnete požadovanú rýchlosť (obr. I1).
2. Stlačíte tlačidlo uzamknutia rýchlosti. Na LCD obrazovke sa rozsvieti ikona uzamknutia rýchlosti (obr. I4).
3. Potom uvoľníte ovládač rýchlosti vzduchu, dýchadlo bude pokračovať v chode na „požadovanej“ rýchlosti.

**POZNÁMKA:** Stlačením tlačidla turbo v režime uzamknutia rýchlosti môžete zablokovať rýchlosť vzduchu na maximálnej úrovni. Po opätovnom stlačení tlačidla turbo dýchadlo obnoví predchádzajúcu rýchlosť.

4. Ak chcete uvoľniť uzamknutie rýchlosti, znova stlačte tlačidlo uzamknutia rýchlosti. Ikona uzamknutia rýchlosti zmizne z LCD obrazovky a dýchadlo sa vypne.

I1-1	Tlačidlo turbo	I1-2	Tlačidlo uzamknutia rýchlosti
I1-3	Ovládač prúdenia vzduchu	I2-1	Palivomer
I2-2	Indikátor rýchlosti vzduchu	I2-3	Ikona akumulátora
I3-1	Ikona ventilátora	I3-2	Kontrolka turbo
I4-1	Ikona uzamknutia rýchlosti		

SK

## LED SVETLO (Obr. J)

LED svetlo sa nachádza v prednej časti ovládacieho držadla. Poskytuje osvetlenie na zvýšenie viditeľnosti.

Jedným stlačením tlačidla LED svetlo zapnete, druhým stlačením svetlo vypnete. Po približne 5 minútach nečinnosti ventilátora sa automaticky vypne.

J-1	Vypínač LED svetiel	J-2	LED svetlo
-----	---------------------	-----	------------

## KOMUNIKAČNÁ TECHNOLOGIA

Informácie o našom úplnom sortimente pripojených výrobkov a služieb vrátane pokynov na pripojenie nájdete naskenovaním QR kódu nižšie alebo na stránke

[www.egopowerplus.eu/connect](http://www.egopowerplus.eu/connect).



## TIPY PRE POUŽÍVANIE DÚCHADLA

- Ak chcete zabrániť rozptyľovaniu nečistôt, fúkajte okolo vonkajšieho okraja hromady odpadu. Nikdy nefúkajte priamo do stredu hromady.
- Ak chcete znížiť hladinu hluku, obmedzte počet kusov zariadení používaných v jednom okamihu.
- Pred fúkaním použite hrable a metly na uvoľnenie nečistôt. V prašných podmienkach ľahko navlhčite povrch, ak je k dispozícii voda.
- Dávajte pozor na deti, domáce zvieratá, otvorené okná alebo čerstvo umyté auta a fúkajte odpad do bezpečnej vzdialenosti.
- Po použití dýchadiel alebo iných zariadení nezabudnite upratať! Zlikvidujte odpad správne.

## ÚDRŽBA

**VAROVANIE:** Pri servise používajte iba identické náhradné diely. Použitie iných častí môže vyvolať nebezpečenstvo, alebo spôsobiť poškodenie výrobku. Pre zaistenie bezpečnosti a spoľahlivosti je nevyhnutné, aby všetky opravy vykonával len kvalifikovaný servisný technik.

**VAROVANIE:** Pri čistení alebo vykonávaní údržby vždy vyberte akumulátor z výrobku, aby nedošlo k vážnemu zraneniu.

## VŠEOBECNÁ ÚDRŽBA

Na čistenie plastových dielov nepoužívajte rozpúšťadlá.

Väčšina plastov je náchylná na poškodenie rôznymi typmi komerčných rozpúšťadiel a môžu sa poškodiť, ak sa rozpúšťadlá použijú. Použite čistú handru na odstránenie nečistôt, prachu, oleja, maziva, atď.

**VAROVANIE:** Nikdy nedovoľte, aby sa brzdové kvapaliny, benzín, ropné výrobky, penetračné oleje atď. dostali do kontaktu s plastovými časťami. Chemické látky môžu poškodiť, oslabiť alebo zničiť plast, čo môže viesť k vážnemu zraneniu.

**VAROVANIE:** Aby ste znížili riziko požiaru, zranenia osôb a poškodenia výrobku v dôsledku skratu, nikdy neponárajte váš stroj, akumulátor alebo nabíjačku do tekutiny a nedovoľte, aby do nich pretiekla tekutina. Korozívne alebo vodivé kvapaliny, ako je morská voda, určité priemyselné chemikálie a bieliadlá alebo výrobky obsahujúce bieliadlá atď., môžu spôsobiť skrat.

## USKLADNENIE

- Vyberte akumulátory z dýchadla.
- Odstráňte všetky nečistoty zo vzduchových prívodov dýchadla.
- Zacvaknite zvislú úložnú sponu, aby ste výdych dýchadla zavesili na kryt portu batérie (obr. K).
- Skladujte v uzavretom priestore, ktorý nie je prístupný deťom. Chráňte pred agresívnymi látkami, ako sú záhradné chemikálie a rozmrazovacie soli.

K-1	Vzpriamená úložná spona
-----	-------------------------

## OCHRANA ŽIVOTNÉHO PROSTREDIA



Nevyhadzujte elektrické zariadenia, nabíjačku a použité akumulátory do domového odpadu! Tento výrobok odnesť na autorizované recyklačné miesto a poskytnite ho na separovaný zber.

Elektrické náradie sa musí odovzdať do ekologického recyklačného zariadenia.

## ODSTRAŇOVANIE PORÚCH

PROBLÉM	PRÍČINA	RIEŠENIE
Dúchadlo nefunguje.	<ul style="list-style-type: none"> <li>■ Akumulátor nie je pripojený do dúchadla.</li> <li>■ Žiadny elektrický kontakt medzi dúchadlom a akumulátorom.</li> <li>■ Akumulátor je vybitý.</li> <li>■ Akumulátor alebo dúchadlo sú príliš horúce.</li> <li>■ Poškodený ovládač rýchlosti vzduchu.</li> <li>■ Akumulátor alebo dúchadlo sú príliš studené.</li> </ul>	<ul style="list-style-type: none"> <li>■ Pripojte akumulátor do dúchadla.</li> <li>■ Vyberte akumulátor, skontrolujte kontakty a akumulátor nainštalujte naspäť.</li> <li>■ Nabite akumulátor.</li> <li>■ Nechajte vychladnúť akumulátor alebo dúchadlo, kým teplota neklesne pod 67 °C.</li> <li>■ Pre opravy kontaktujte zákaznický servis EGO.</li> <li>■ Vyberte akumulátor, nechajte akumulátor a dúchadlo zahriať v interiéri. Odporúča sa úplne nabiť akumulátor a spustiť dúchadlo pri nízkych otáčkach bez aktivácie režimu Turbo.</li> </ul>
Keď je stlačený ovládač rýchlosti vzduchu, na LCD displeji sa zobrazia iba dve spodné ikony rýchlosti vzduchu.	<ul style="list-style-type: none"> <li>■ Použitý akumulátor s nízkou kapacitou Ah.</li> </ul>	<ul style="list-style-type: none"> <li>■ Používajte akumulátory s kapacitou 4,0 Ah alebo vyššou.</li> </ul>
Režim uzamknutia rýchlosti nie je možné zapnúť ani vypnúť.	<ul style="list-style-type: none"> <li>■ Poškodené tlačidlo uzamknutia rýchlosti.</li> </ul>	<ul style="list-style-type: none"> <li>■ Pre opravy kontaktujte zákaznický servis EGO.</li> </ul>
Rýchlosť vzduchu sa výrazne zníži.	<ul style="list-style-type: none"> <li>■ Akumulátor je takmer vybitý.</li> <li>■ Nadmerné opotrebovanie ventilátora motora.</li> <li>■ Prívod vzduchu je zablokovaný nečistotami.</li> </ul>	<ul style="list-style-type: none"> <li>■ Nabite akumulátor.</li> <li>■ Pre opravu kontaktujte servis EGO.</li> <li>■ Vyberte akumulátor a odstráňte nečistoty.</li> </ul>
LCD obrazovka nefunguje správne.	<ul style="list-style-type: none"> <li>■ LCD obrazovka alebo vodičové spojenie sú poškodené.</li> </ul>	<ul style="list-style-type: none"> <li>■ Pre opravu kontaktujte servis EGO.</li> </ul>
1 LED kontrolka palivomera na LCD displeji bliká.	<ul style="list-style-type: none"> <li>■ Akumulátor je takmer vybitý.</li> </ul>	<ul style="list-style-type: none"> <li>■ Nabite akumulátor.</li> </ul>

SK

## ZÁRUKA

### ZÁRUČNÁ POLITIKA EGO

Úplné znenie záručných podmienok EGO nájdete na webovej stránke [egopowerplus.eu](http://egopowerplus.eu).

## OLVASSA EL AZ ÖSSZES UTASÍTÁST!



### OLVASSA EL A HASZNÁLATI ÚTMUTATÓT

**⚠ FIGYELMEZTETÉS:** A biztonságosság és megbízhatóság biztosítása érdekében minden javítást szakképzett szerviztechnikusnak kell elvégeznie.

## BIZTONSÁGI SZIMBÓLUMOK

A biztonsági szimbólumok célja, hogy felhívják a figyelmet az esetleges veszélyekre. Nagyon figyeljen a biztonsági szimbólumokra és magyarázatokra, ill. ezek megértésére. A szimbólumok figyelmeztetéseit önmagukban nem hárítják el a veszélyeket. Az utasítások és figyelmeztetések nem helyettesítik a megfelelő balesetmegelőző intézkedéseket.

**⚠ FIGYELMEZTETÉS:** A gép használata előtt feltétlenül olvassa el és értse meg a jelen kezelési útmutatóban található valamennyi biztonsági utasítást, valamint a „VESZÉLY”, „FIGYELMEZTETÉS” és „FIGYELEM” biztonsági figyelmeztető szimbólumokat is. Az alább felsorolt utasítások be nem tartása áramütést, tűzveszélyt és/vagy súlyos személyi sérülést idézhet elő.

## SZIMBÓLUM JELENTÉSE

**⚠ BIZTONSÁGI SZIMBÓLUM:** A következőket jelöli: **VESZÉLY**, **FIGYELMEZTETÉS** vagy **FIGYELEM**, és más szimbólumokkal vagy rajzokkal együtt használható.

## BIZTONSÁGI ELŐÍRÁSOK

Ezen az oldalon olyan biztonsági szimbólumok láthatók és olvashatók, amelyek megjelenhetnek a terméken. Az összeszerelés vagy működtetés előtt olvassa el, értse meg és tartsa be a gép minden utasítását.

HU



Biztonsági figyelmeztetés



Mindig viseljen hallásvédőt a termék működtetése közben.



Minden nézelődő legalább 15 m távolságban legyen.



Az elhasznált elektromos termékek nem helyezhetők a háztartási hulladékok közé. Vigye hivatalos újrahasznosító telephelyre.



Egyenáram



Ne nézzen a bekapcsolt lámpába.

IPX5

Védelem a vízsugarak ellen

B

Feszültség

°C

Celsius

N

Newton



A sérülések kockázatának csökkentése érdekében használjon el kell olvasnia a használati útmutatót.



Mindig viseljen védőszemüveget vagy oldalsó védőlemezrel ellátott védőszemüveget és teljes védőárlapot a termék működtetése közben.



Garantált hangteljesítményszint. Környezetre ható zajkibocsátás a Európai Közösség irányelve szerint.



A termék megfelel az érvényes EK irányelveknek.



Az Egyesült Királyság szerinti megfelelés értékelve



Bluetooth® szimbólum

kg

Kilogramm

m<sup>3</sup>/h

Négyzetméter óránként

m/s

Méter/másodperc



## JELLEMZŐK

Feszültség	56 V
Maximális légmennyiség	1870 m <sup>3</sup> /h
Maximális levegő sebesség	85 m/s
Maximális fúvóerő	36 N
Bluetooth működési frekvenciasáv	2400-2438 MHz
Bluetooth maximális átviteli teljesítmény	5 dBm
Súly (akkumulátoregység nélkül)	9,6 kg
Javasolt üzemi hőmérséklet	-15°C - 40°C
Javasolt tárolási hőmérséklet	-20°C - 70°C
Mért hangteljesítményszint L <sub>WA</sub>	96 dB(A) K=1,4 dB(A)
Hangnyomásszint a kezelő fülénél L <sub>PA</sub>	83 dB(A) K=3 dB(A)
Garantált hangteljesítményszint L <sub>WA</sub> (a 2000/14/EK szerint mérve)	98 dB(A)
Vibráció a <sub>h</sub>	0,25 m/s <sup>2</sup> K=1,5 m/s <sup>2</sup>

- A névleges rezgési összérték mérése standard vizsgálati módszerrel történt, és használatával a szerszámok egymással összehasonlíthatók;
- A névleges rezgési összérték a kockázat előzetes felméréséhez is felhasználható.

**MEGJEGYZÉS:** A rezgés-kibocsátás az elektromos szerszám aktuális használata közben eltérhet attól a névleges értéktől, amellyel a szerszámot használják: a kezelő védelme érdekében a használónak kesztyűt és hallásvédőt kell használnia működtetés közben.

## A CSOMAG TARTALMA (A1 ÁBRA)

### LEÍRÁS

#### ISMERJE MEG A LOMBFÚVÓT (A1 ábra)

1. Állítható tartó ház
2. Álló tárolócsat

3. Háti lemez
4. Szabályozó fogantyú
5. Kúpos szűrőfej
6. Lombfúvó cső
7. Csőbilincs
8. Szabályozócső
9. Szabályozó bilincs
10. Fúvóka bilincs
11. Fúvókák
12. Levegőbemenet
13. Segédfogantyú
14. Elektromos érintkezők
15. Zár
16. Akkumulátorkioldó gombok
17. Markolat
18. Levegősebesség kioldó
19. Sebességröggitő gomb
20. LED-fény
21. LCD kijelző
22. LED világítás gomb
23. Turbo gomb
24. Gyorskioldó karok
25. Bluetooth-jelző
26. Üzemanyagmérő
27. Ventilátor ikon
28. Turbó jelzőlámpa
29. Légsebesség-jelző
30. Sebességröggités ikon
31. Akkumulátor ikon

## ÖSSZESZERELÉS

**⚠ FIGYELMEZTETÉS:** Ha bármely alkatrész sérült vagy hiányzik, akkor addig ne használja a terméket, amíg az alkatrész(ek) cseréje meg nem történik. Sérült vagy hiányzó alkatrészekkel történő használat súlyos személyi sérülést okozhat.

**⚠ FIGYELMEZTETÉS:** Ne próbálja megváltoztatni a terméket, és ne készítsen hozzá tartozékokat, amelyek nem javasoltak ehhez a lombfúvóhoz. Bármilyen módosítás vagy változtatás helytelen használatnak minősül, és veszélyes feltételeket teremthet, amely súlyos személyi sérüléssel végződhet.

**⚠ FIGYELMEZTETÉS:** Az akár súlyos személyi sérülést is okozó, véletlenszerű indítás elkerülése érdekében mindig vegye ki az akkumulátoregységet a szerszámból, amikor összeszereli az alkatrészeket.

## A LOMBFÚVÓ CSÖVEK FELHELYEZÉSE

### A szabályozócső csatlakoztatása a haranghoz.

1. A kényelmes összeszerelés érdekében a fúvót úgy helyezze el, hogy a tartóheveder felfelé nézzen, ahogy az a B1 ábrán látható.
2. Lazítsa meg és távolítsa el a két csavart a fúvóka bilincs egyik oldalán, részben nyissa ki a fúvóka bilincset, de ügyeljen arra, hogy a fúvóka peremén lévő fül teljesen illeszkedjen a bilincs nyílásába (B2 ábra).
3. Illessze be a szabályozócső hátsó végét a fúvókába, amíg a hátsó felület a fúvóka bilincs végfelületével nem érintkezik (B3 ábra).
4. A fúvóka bilincs teljesen zárható, ha a szabályozócső megfelelően csatlakozik a fúvókához. Biztonságosan húzza meg a fúvóka bilincs csavarjait (B4 ábra).

B1-1	Tartóheveder	B1-2	Fúvókák
B2-1	Csavarok	B2-2	Nyílás
B2-3	Tab	B2-4	Fúvóka bilincs
B3-1	Szabályozócső	B3-2	Hátsó vég
B3-3	Hátsó végfelület	B3-4	Fúvóka bilincs végfelülete

### A fúvócső csatlakoztatása a szabályozócsőhöz

1. Lazítsa meg és távolítsa el a gyorskioldó kart és a szárnyas anyát a fúvócsőre rögzített csőbilincsegről (C1 ábra).
2. Igazítsa a fúvócső hornyát a szabályozócsővön lévő bordához, és csúsztassa a fúvócsövet a szabályozócsővön, ameddig csak lehet (C2 ábra).
3. Illessze be a gyorskioldó kar csapját, és zárja a kart a csőbilincsré (C3 ábra).
4. Húzza meg a szárnyas anyát a csőbilincs rögzítéséhez (C4 ábra).

C1-1	Lombfúvó cső	C1-2	Csőbilincs
C1-3	Gyorskioldó kar	C1-4	Szárnyas anya
C2-1	Lombfúvó cső hornyá	C2-2	Szabályozócső bordája

### A kúpos szórófej csatlakoztatása a fúvócsőhöz

1. Igazítsa a szórófejen lévő hornyot a csővön lévő reteszhez. Nyomja a szórófejet a csőre, amíg biztonságosan a helyére nem pattan (D1 ábra).
2. **A szórófej eltávolításához** nyomja meg és tartsa lenyomva a szórófej kioldó gombját a retesz kioldásához, majd egyenesen húzza le a szórófejet a lombfúvó csőről (D2 ábra).

D1-1	Szórófej kioldó gomb	D1-2	Zár
------	----------------------	------	-----

## HASZNÁLAT

**⚠ FIGYELMEZTETÉS:** Ügyeljen rá nehogy a termékkel szerzett jártassága miatt óvatlanná váljon. Emlékezzen arra, hogy a másodperc töredéke alatt történő óvatlanság súlyos sérülést okozhat.

**⚠ FIGYELMEZTETÉS:** Ne használjon a termék gyártója által nem javasolt tartozékokat. A nem javasolt tartozékok használata súlyos személyi sérülést okozhat.

**⚠ FIGYELMEZTETÉS:** Mindig vegye ki az akkumulátoregységet a termékből, amikor összeszereli az alkatrészeket, beállításokat, tisztítást végez, vagy amikor nem használja. Ha kiveszi az akkumulátoregységet, azzal megelőzi a véletlenszerű indítást, amely súlyos személyi sérüléseket okozhat.

Minden használat előtt ellenőrizze a teljes terméket sérülések, hiányzó vagy laza alkatrészek, pl. csavarok, anyák, alátétek, sapkák stb. szempontjából. Biztonságosan húzzon meg minden rögzítőt és sapkát, és ne használja a terméket, amíg a sérült vagy hiányzó alkatrészeket ki nem cserélték.

### ALKALMAZÁS

A terméket az alább felsorolt célokra használhatja:

- A levelek és különféle kerti hulladékok eltakarítása a gyepekről és a mulcságyakról.
- Kemény felületek, pl. úttek és járdák megtisztítása.
- A burkolatok és úttek tisztán tartása levelektől és tülevelektől.

**MEGJEGYZÉS:** A szerszámot csak az előírt célokra használja. Bármilyen más használat helytelen használatnak minősül.

### AZ AKKUMULÁTOREGYSÉG BERAKÁSA/ KIVÉTELE

Csak az A2 ábrán felsorolt EGO akkumulátoregységeket

és töltőket használja.

További részletekért tekintse meg a megfelelő akkumulátoregységek és töltők kézikönyvét.

### Az első használat előtt teljesen töltsse fel.

**MEGJEGYZÉS:** A lehető legjobb teljesítmény érdekében javasoljuk az EGO 56V BA3360T (6,0 Ah) vagy más, magasabb Ah besorolású EGO 56 V akkumulátoregység használatát.

A fűvő két aktív akkumulátor-csatlakozóval rendelkezik, amelyek az akkumulátor-csatlakozóház bal és jobb oldalán találhatók.

**MEGJEGYZÉS:** A fűvő egy vagy két akkumulátorral is működhet. A két akkumulátor használata hosszabb üzemidőt és a PEAK POWER™ technológia által kezelt hatékony energiafelvételt biztosít.

Amikor az akkumulátoregységeket a lombfűvő lemezen 1 vagy 2 jelzéssel ellátott megfelelő akkumulátor-nyílásokba helyezi, és a fűvő bekapcsol, a megfelelő akkumulátor ikon világít az LCD-képernyőn (E1 ábra).

### Csatlakoztatás (E2 ábra)

A behelyezéshez illesse az akkumulátor bordázatát a szerelőnyílásokhoz, és nyomja le az akkumulátoregységet, amíg kattantást nem hall. Helyezze be a másik akkumulátort.

### Leválasztás

Oldja ki az akkumulátor kioldógombot, és húzza ki az akkumulátoregységet.

**FIGYELMEZTETÉS:** Mindig ügyeljen a lába alatti területre, a gyermekekre és a kisállatokra, amikor megnyomja az akkumulátor-kioldó gombot. Súlyos sérülést okozhat, ha az akkumulátoregység leesik. SOHA ne vegye ki az akkumulátoregységet, ha magas helyen van.

E1-1	Akkumulátor-csatlakozók száma	E1-2	LCD kijelző
E1-3	Akkumulátor ikon	E2-1	Akkumulátor borda
E2-2	Szerelőnyílás	E2-3	Akkumulátor kioldógomb

### A HÁTI LOMBFŰVŐ POZICIONÁLÁSA

**FIGYELMEZTETÉS:** Megfelelően öltözzön fel a sérülések kockázatának csökkentése érdekében, amikor a gépet használja. Ne viseljen laza ruházatot vagy ékszereket. Viseljen szem-/fülvédőt. Viseljen erős, hosszú szárú nadrágot, cipőt és kesztyűt. Ne viseljen rövidnadrágot, szandált, és ne járjon meztőláb.

A lombfűvő használata előtt győződjön meg arról, hogy a kezelő szemvédőt és megfelelő ruházatot visel, és képes a biztonságos és kiegyensúlyozott lábtartásra.

### A tartó hámbéállítása

- Húzza meg a hátlap két hevederét, hogy megbizonyosodjon arról, hogy a heveder biztonságosan van rögzítve a hátlaphoz (F1 ábra).
- Szükség esetén állítsa be a hábtetéteket és a derékbetétet a kényelme érdekében.

■ Lazítsa meg a vállpántokat, húzza le a hábtetéteket a tépőzárról, és mozgassa a betéteket a kívánt pozícióba, majd húzza meg a vállpántokat, hogy rögzítse a betéteket az egységben (F2 ábra).

**MEGJEGYZÉS:** A hábtetétek vízszintes vonalai segítenek mindkét betét azonos szintre állításában.

- Húzza le a derékbetétet a tépőzárról, és mozgassa a betétet a kívánt pozícióba (F3 ábra).
- Dugja a karjait a hevederen keresztül, hogy a lombfűvőt a hátára helyezze. Ideiglenesen állítsa a mellhevedereket kényelmes helyzetbe, ügyelve arra, hogy jobb könyöke kényelmes legyen, amikor a szabályozó kart fogja (F4 ábra).
  - Csatolja be a derékszatot, és állítsa be a derékpántok hosszát úgy, hogy a heveder biztonságosan támaszkodjon a derekára. Ha a derékszat nehezen csatlakozhat be, állítsa be mindkét oldalon a két oldalsó pántot, hogy könnyebb legyen (F5 ábra).

**MEGJEGYZÉS:** A heveder ne legyen túl magasán a hátán; legyen közelebb a csípőjéhez, mint a vállához.

**FIGYELMEZTETÉS:** Vészhelyzet esetén azonnal engedje ki a derékszatot a heveder levételéhez. Ez egy gyors kioldási módszer.

- Állítsa be újra a mellhevedereket a biztonság és a kényelem érdekében. Gondoskodjon arról, hogy a heveder biztonságosan legyen a hátán, a súlyt a szíjak megtartsa, és mozgás közben ne kelljen miatta felesleges mozgást végezni (F6 ábra).
- Illesse be a hevederek esetleges többlet hosszúságát a gumiba (F7 ábra).
- Több fényvisszaverő csík található a biztonságos működés érdekében. Ügyeljen arra, hogy működés közben ne takarja le a fényvisszaverő csíkokat (F8 ábra).
- A heveder hátáról való levételéhez** egyszerűen nyomja meg a derékszatot a kioldásához, és engedje le a fűvőt (F9 ábra).

HU

F1-1	Pántok	F1-2	Háti lemez
F2-1	Vállszijak	F2-2	Vízszintes vonalak
F3-1	Derékbetét	F4-1	Mellpántok
F5-1	Derékpántok	F5-2	Derékcsat
F5-3	Oldalsó pántok	F7-1	Gumi
F7-2	Többlet heveder-hossz	F8-1	Fényvisszaverő csíkok

### A szabályozó fogantyú beállítása

- Engedje ki a gyorskioldó kart, hogy a szabályozó fogantyút szükség szerint előre vagy hátra tudja mozgatni (G1 és G2 ábra), majd kapcsolja be a gyorskioldó kart a szabályozó fogantyú rögzítéséhez.
- El is fordíthatja a fogantyút, hogy kényelmes legyen (G3 ábra).

G1-1	Szabályozó fogantyú	G1-2	Gyorskioldó kar
------	---------------------	------	-----------------

### A szabályozócső hosszának beállítása (H1, H2 ábra)

- Engedje ki a gyorskioldó kart (H1 ábra).
- Vigye a fúvócsövet a kényelmes működési helyzetbe a beállítási zónán belül (H2 ábra).
- A fúvócső rögzítéséhez kapcsolja be a gyorskioldó kart (H2 ábra).

H1-1	Gyorskioldó kar	H2-1	Lombfűvő cső
H2-2	Beállítási zóna		

### A LOMBFŰVŐ ELINDÍTÁSA/LEÁLLÍTÁSA

**MEGJEGYZÉS:** Előfordulhat, hogy a lombfűvő nem indul el megfelelően, ha az akkumulátoregység vagy a lombfűvő hőmérséklete  $-15\text{ }^{\circ}\text{C}$  vagy annál alacsonyabb. Ebben az esetben vegye ki az akkumulátoregységet a lombfűvőből, és hagyja, hogy az akkumulátoregység és a fűvő legalább 10 percig beltérben felmelegedjen. Helyezze vissza az akkumulátoregységet, és próbálkozzon újra.

### Levegősebesség kioldó(I1, I2 ábra)

- Nyomja le a levegősebesség kioldót a lombfűvő bekapcsolásához, ekkor az LCD-képernyőn megjelenik az üzemanyag-mérő, az akkumulátor ikonja, a levegősebesség-jelző.

**MEGJEGYZÉS:** Az üzemanyag-mérő LCD-képernyőn látható 1 LED-je villog, ha az akkumulátor töltöttsége alacsony.

- A lombfűvő légsebessége az állítható sebességszabályozó ravasszal vezérelhető. A kioldóra kifejtett nagyobb nyomás nagyobb fűvősebességet eredményez; a kioldóra kifejtett kisebb nyomás kisebb fűvősebességet eredményez. A sebességet az aktuális feladat elvégzésének megfelelően állítsa be. A megfelelő levegősebesség-jelző jelenik meg az LCD-képernyőn.

- Engedje el a levegősebesség kioldó a lombfűvő kikapcsolásához. Az LCD-képernyő a ravasz felengedése után bizonyos időn belül kikapcsol.

**MEGJEGYZÉS:** Ha 4 Ah alatti akkumulátoregységet használ, a levegő sebessége csak két barra korlátozódik.

### Turbó üzemmód

Miközben a levegősebesség kioldó gombot lenyomva tartja, nyomja meg a turbó gombot a légáram maximális sebességre történő növeléséhez (I1 ábra). Az LCD-képernyőn világítani fog a turbójelző és a ventilátor ikonja (I3 ábra).

**MEGJEGYZÉS:** A turbó gomb felengedésekor a lombfűvő visszaáll az előző sebességre.

### Sebesség-rögzítés üzemmód

A sebességzár a fűvő működtetésére használható a levegősebesség kioldó folyamatos nyomása nélkül.

- Nyomja le a levegősebesség kioldót, amíg el nem éri a kívánt sebességet (I1 ábra).
- Nyomja meg a sebesség-rögzítés gombot. Az LCD-képernyőn világítani fog a sebességzár ikon (I4 ábra).
- Ezután engedje el a levegősebesség kioldót, a lombfűvő továbbra is "kívánt" sebességgel fog működni.

**MEGJEGYZÉS:** Ha megnyomja a turbó gombot a sebesség-rögzítő üzemmódban, a levegősebesség a maximális szinten rögzíthető. A turbó gomb ismételt megnyomásával a lombfűvő visszaáll a korábbi sebességre.

- A **sebességzár feloldásához** nyomja meg újra a sebességzár gombot. A sebesség-rögzítés ikon eltűnik az LCD-képernyőről, a lombfűvő pedig kikapcsol.

I1-1	Turbo gomb	I1-2	Sebesség-rögzítő gomb
I1-3	Levegősebesség kioldó	I2-1	Üzemanyagmérő
I2-2	Légsebesség-jelző	I2-3	Akkumulátor ikon
I3-1	Ventilátor ikon	I3-2	Turbó jelzőlámpa
I4-1	Sebesség-rögzítés ikon		

## LED-LÁMPA (J ÁBRA)

A LED-lámpa a szabályozókar elején található. Megvilágítást biztosít a jobb láthatóság érdekében.

Nyomja meg egyszer a LED-lámpa gombot a világítás bekapcsolásához, nyomja meg újra a világítás kikapcsolásához. Automatikusan kikapcsol akkor is, ha a lombfúvó kb. 5 percig nem volt használatban.

J-1	LED világítás gomb	J-2	LED-fény
-----	--------------------	-----	----------

## KOMMUNIKÁCIÓS TECHNOLÓGIA

A csatlakoztatott termékek és szolgáltatások teljes választékáról, valamint a csatlakoztatási utasításokról az alábbi QR-kód beolvasásával vagy a következő weboldalon tájékozódhat

[www.egopowerplus.eu/connect](http://www.egopowerplus.eu/connect).



## TIPPEK A LOMBFÚVÓ HASZNÁLATÁHOZ

- Ahhoz, hogy a hulladék ne szóródjon szét, a hulladék halom külső széléin fújjon. Soha ne fújjon közvetlenül a halom középpontjába.
- A hangerősség csökkentése érdekében, korlátozott számú felszerelést használjon egyszerre.
- Lombfúvás előtt használja a gereblyét és seprűt a hulladék fellazításához. Poros körülmények között nedvesítse meg a felületet, ha van víz a közelben.
- Ügyeljen a gyermekekre, állatokra, nyitott ablakokra, vagy frissen lemosott autókra, és a hulladékot biztonságosan más irányba fújja.
- A lombfúvó vagy más felszerelés használata után tisztítsa meg! Megfelelően ártalmatlanítsa a hulladékot.

## KARBANTARTÁS

**▲ FIGYELMEZTETÉS:** Szervizeléskor csak azonos cserealkatrészeket használjon. Bármilyen más alkatrész használata veszélyt okozhat, vagy megrongálhatja a terméket. A biztonságosság és megbízhatóság biztosítása érdekében minden javítást szakképzett szerviztechnikusnak kell elvégeznie.

**▲ FIGYELMEZTETÉS:** A súlyos személyi sérülések elkerülése érdekében mindig vegye ki az akkumulátort a termékből tisztítás és karbantartás alatt.

## ÁLTALÁNOS KARBANTARTÁS

A műanyag alkatrészek tisztításához ne használjon oldószereket. A legtöbb műanyag különböző vegyi oldószerek hatására károsodik, ezek megrongálhatják őket. Használjon tiszta ruhát a szennyeződés, por, olaj, zsír, stb. eltávolításához.

**▲ FIGYELMEZTETÉS:** Soha ne engedje, hogy fékolaj, benzin, petróleum alapú termékek, penetráló olaj stb. a műanyag alkatrészekre kerüljön. A vegyszerek megrongálhatják, gyengíthetik vagy megtámadhatják a műanyagot, ezáltal súlyos személyi sérülést okozhatnak.

**▲ FIGYELMEZTETÉS:** A tűz, személyi sérülés és rövidzárlat miatti termékkárosodás kockázatának csökkentése érdekében soha ne merítse a gépet, az akkumulátoregységet vagy a töltőt folyadékba, és ne engedje, hogy folyadék folyjon a belsejükbe. A maró vagy vezetőképes folyadékok, mint például a tengervíz, bizonyos ipari vegyi anyagok, fehérítőszer vagy fehérítőt tartalmazó termékek stb. rövidzárlatot okozhatnak.

## TÁROLÁS

- Vegye ki az akkumulátoregysége(ke)t a lombfúvóból.
- Tisztítson meg minden idegen anyagot a lombfúvó levegőbemeneteiből.
- Pattintsa fel az álló tárolócsatot, hogy a fúvócsövet az akkumulátornyílás házára akassza (K ábra).
- Gyermekek számára nem elérhető, zárt helyen tárolja. Tartsa távol maró hatású szerektől, például kerti vegyszerektől, és jégmentesítő sótól.

K-1	Álló tárolócsat
-----	-----------------

## KÖRNYEZETVÉDELLEM



Ne dobja az elektromos eszközt, az elhasznált akkumulátort és a töltőt a háztartási hulladékok közé! Vigye hivatalos újrahasznosító telephelyre, és tegye hozzáférhetővé a szelektív gyűjtéshez. Az elektromos eszközöket megfelelő környezetbarát újrahasznosító üzembe kell vinni.

HU

## HIBAELHÁRÍTÁS

PROBLÉMA	OK	MEGOLDÁS
A lombfűvő nem működik.	<ul style="list-style-type: none"> <li>Az akkumulátoregység nincs csatlakoztatva a lombfűvőbe.</li> <li>Nincs elektromos érintkezés a fűvő és az akkumulátor között.</li> <li>Az akkumulátoregység lemerült.</li> <li>Az akkumulátoregység vagy a lombfűvő túl forró.</li> <li>Levegősebesség szabályozó ravasz.</li> <li>Az akkumulátoregység vagy a lombfűvő túl hideg.</li> </ul>	<ul style="list-style-type: none"> <li>Csatlakoztassa az akkumulátoregységet a lombfűvőhöz.</li> <li>Vegye ki az akkumulátoregységet, ellenőrizze a csatlakozásokat, és helyezze vissza az akkumulátoregységet.</li> <li>Töltse fel az akkumulátoregységet.</li> <li>Hagyja kihűlni az akkumulátoregységet és a lombszívót 67 °C alatti hőmérsékletre.</li> <li>A javításhoz forduljon az EGO ügyfélszolgálatához.</li> <li>Vegye ki az akkumulátoregységet, hagyja, hogy az akkumulátoregység és a lombfűvő beltérben melegegjen fel. Javasoljuk, hogy töltsen fel teljesen az akkumulátoregységet, és indítsa el a lombfűvőt alacsony fordulatszámon a Turbo üzemmód aktiválása nélkül.</li> </ul>
A levegősebesség-ravasz lenyomásakor csak az alsó két levegősebesség ikon jelenik meg az LCD-képernyőn.	<ul style="list-style-type: none"> <li>Alacsony Ah kapacitású akkumulátoregység van használatban.</li> </ul>	<ul style="list-style-type: none"> <li>Használjon 4,0 vagy magasabb Ah-s akkumulátoregységeket.</li> </ul>
A sebességgrögztetés üzemmód nem kapcsolható be vagy ki.	<ul style="list-style-type: none"> <li>Sérült sebességgrögztítő gomb.</li> </ul>	<ul style="list-style-type: none"> <li>A javításhoz forduljon az EGO ügyfélszolgálatához.</li> </ul>
A levegő sebessége észrevehetően csökken.	<ul style="list-style-type: none"> <li>Az akkumulátor töltöttsége alacsony.</li> <li>A motorventilátor túlzott kopása.</li> <li>A levegőbemenetet hulladék tölti el.</li> </ul>	<ul style="list-style-type: none"> <li>Töltse fel az akkumulátoregységet.</li> <li>Javítás céljából forduljon az EGO szervizhez.</li> <li>Vegye ki az akkumulátoregységet, majd távolítsa el a törmeléket.</li> </ul>
Az LCD képernyő nem működik megfelelően.	<ul style="list-style-type: none"> <li>Az LCD-képernyő vagy a vezetékcsatlakozás sérült.</li> </ul>	<ul style="list-style-type: none"> <li>Javítás céljából forduljon az EGO szervizhez.</li> </ul>
Az üzemanyag-mérő LCD-képernyőn látható 1 LED-je villog.	<ul style="list-style-type: none"> <li>Az akkumulátor töltöttsége alacsony.</li> </ul>	<ul style="list-style-type: none"> <li>Töltse fel az akkumulátoregységet.</li> </ul>

HU

## GARANCIA

### EGO GARANCIÁLIS FELTÉTELEK

Kérjük, látogasson el az [egopowerplus.eu](http://egopowerplus.eu) oldalra, ahol megtalálja a részletes EGO garanciális feltételeket.

## CITIȚI TOATE INSTRUCȚIUNILE!



### CITIȚI MANUALUL DE INSTRUCȚIUNI

**⚠ AVERTISMENT:** Pentru siguranța și fiabilitatea produsului, toate reparațiile trebuie efectuate de către un tehnician de service autorizat.

## SIMBOLURI PRIVIND SIGURANȚA

Scopul simbolurilor privind siguranța este să vă atragă atenția asupra pericolelor posibile. Simbolurile privind siguranța și explicațiile furnizate cu acestea merită atenția și înțelegerea dumneavoastră. Avertizările simbolurilor nu elimină, prin ele însele, niciun pericol. Instrucțiunile și avertizările pe care le oferă acestea nu pot înlocui măsurile adecvate de prevenire a accidentelor.

**⚠ AVERTISMENT:** Asigurați-vă că ați citit și înțelegeți toate instrucțiunile privind siguranța din acest Manual de utilizare, inclusiv toate simbolurile de alertă privind siguranța precum „PERICOL”, „AVERTISMENT” și „ATENȚIE” înainte de a utiliza această mașină. Nerespectarea tuturor instrucțiunilor enumerate mai jos poate duce la electrocutare, incendiu și/sau vătămări corporale grave.

## SEMNIFICAȚIA SIMBOLURILOR

**⚠ SIMBOL DE AVERTIZARE PRIVIND SIGURANȚA:** Indică PERICOL, AVERTISMENT sau ATENȚIE, poate fi utilizat împreună cu alte simboluri sau pictograme.

## INSTRUCȚIUNI PRIVIND SIGURANȚA

Această pagină descrie simbolurile de siguranță ce pot apărea pe acest produs. Citiți, înțelegeți și respectați toate instrucțiunile de pe mașină înainte de asamblare și utilizare.



Alertă privind siguranța



Purtați întotdeauna echipament de protecție auditivă când utilizați acest produs.



Țineți toți trecătorii la o distanță de cel puțin 15 m.



Deșeurile produselor electrice nu trebuie să fie eliminate împreună cu deșeurile menajere. Predați-le unui punct de reciclare autorizat.



Curent continuu



Nu priviți direct în lampă în funcționare.

IPX5

Protecție împotriva jeturilor de apă

B

Tensiune

°C

Celsius

N

Newton



Pentru a reduce riscul de accidentări, utilizatorul trebuie să citească manualul de instrucțiuni.



Purtați întotdeauna ochelari de protecție sau ochelari de protecție cu apărători laterale și o vizieră facială completă când utilizați acest produs.



Nivel de putere acustică garantat. Emisii sonore în mediul înconjurător conform Directivei comunitare europene.



Acest produs este în conformitate cu directivele europene aplicabile.



Conformitate evaluată pentru Regatul Unit



Simbol Bluetooth®

kg

Kilograme

m<sup>3</sup>/h


Metru cub pe oră

m/s

Metru pe secundă

RO

## SPECIFICAȚII

Tensiune	56 V 
Volumul maxim de aer	1870 m <sup>3</sup> /h
Viteză maximă aer	85 m/s
Forța maximă de suflare	36 N
Bandă de frecvență de operare Bluetooth	2400-2438 MHz
Puterea maximă de transmisie Bluetooth	5 dBm
Greutate (fără set de acumulatori)	9,6 kg
Temperatură de funcționare recomandată	-15°C - 40°C
Temperatură de depozitare recomandată	-20°C - 70°C
Nivel de putere acustică măsurat L <sub>WA</sub>	96 dB(A) K=1,4 dB(A)
Nivel de presiune acustică la urechea operatorului L <sub>PA</sub>	83 dB(A) K=3 dB(A)
Nivel de putere sonoră garantat L <sub>WA</sub> (măsurat în conformitate cu 2000/14/CE)	98 dB(A)
Vibrații a <sub>n</sub>	0,25 m/s <sup>2</sup> K=1,5 m/s <sup>2</sup>

- Valoarea totală declarată a vibrațiilor a fost măsurată în conformitate cu o metodă standard de testare și poate fi utilizată pentru compararea sculelor între ele;
- Valoarea totală declarată poate fi utilizată în evaluarea preliminară a expunerii.

**OBSERVAȚIE:** Vibrațiile emise în timpul utilizării efective a sculei electrice pot diferi față de valoarea celor declarate pentru scula utilizată; Pentru protejarea operatorului, utilizatorul trebuie să poarte mănuși și protecții auditive în timpul utilizării efective a produsului.

## LISTA COMPONENTELOR (FIG. A1)

### DESCRIEREA

#### DESCRIEREA SUFLANTEI (Fig. A1)

1. Ham ajustabil de suport

2. Cataramă de depozitare verticală
3. Suport de spate
4. Mâner de control
5. Duză conică
6. Tub suflantă
7. Clema tubului
8. Mâner de control Tub
9. Mâner de control Clemă
10. Clemă cu burduf
11. Burduf
12. Admisie de aer
13. Mâner de susținere
14. Contacte electrice
15. Zăvor
16. Butoane de eliberare a acumulatorului
17. Mâner
18. Trăgaci viteză aer
19. Butonul de blocare a vitezei
20. Lumină LED
21. Ecran LCD
22. Buton luminos cu LED
23. Buton Turbo
24. Manete de eliberare rapidă
25. Indicator Bluetooth
26. Indicator de alimentare
27. Pictograma ventilator
28. Indicator Turbo
29. Indicator de viteză a aerului
30. Pictograma blocare viteză
31. Pictogramă baterie

## ASAMBLARE

**⚠️ AVERTISMENT:** Dacă unele piese sunt deteriorate sau lipsesc, nu utilizați acest produs până la înlocuirea pieselor. Utilizarea acestui produs cu piese deteriorate sau lipsă s-ar putea solda cu vătămări grave.

**⚠️ AVERTISMENT:** Nu încercați să modificați acest produs sau să creați accesorii nerecomandate pentru această suflantă. Orice astfel de modificare sau schimbare reprezintă o utilizare necorespunzătoare și se poate solda cu condiții periculoase care pot conduce la posibile vătămări grave.



**⚠️ AVERTISMENT:** Pentru a preveni pomirea accidentală care ar putea cauza vătămări personale grave, întotdeauna scoateți setul de acumulatori din sculă când asamblați componente.

## ASAMBLAREA TUBURILOR SUFLANTEI

### Conectarea tubului mânerului de control la burduf

1. Pentru o asamblare convenabilă, așezați suflanta cu hamul de susținere orientat în sus, așa cum se arată în Fig. B1.
2. Slăbiți și îndepărtați cele două șuruburi de pe o parte a clemei de burduf, deschideți parțial clema de burduf, dar asigurați-vă că urechea de pe marginea burdufului este cuplată complet în fanta din clemă (Fig. B2).
3. Introduceți capătul din spate al tubului mânerului de comandă în burduf până când suprafața din spate intră în contact cu suprafața de capăt a clemei burdufului (Fig. B3).
4. Clema burdufului poate fi închisă complet atunci când tubul mânerului de comandă este conectat corespunzător la burduf. Strângeți bine șuruburile clemei de burduf (Fig. B4).

B1-1	Harnașament de susținere	B1-2	Burduf
B2-1	Șuruburi	B2-2	Fantă
B2-3	Clapă	B2-4	Clemă cu burduf
B3-1	Mâner de control Tub	B3-2	Partea din spate
B3-3	Suprafața din spate	B3-4	Suprafața de capăt a clemei cu burduf

### Conectarea tubului suflantei la tubul mânerului de control

1. Slăbiți și îndepărtați maneta de eliberare rapidă și piulița în formă de aripă de la ansamblul de fixare a tubului fixat pe tubul suflantei (Fig. C1).
2. Aliniați canelura din tubul suflantei cu nervura de pe tubul mânerului de comandă, glisați tubul suflantei peste tubul mânerului de comandă până la capăt (Fig. C2).
3. Introduceți știftul manetei de eliberare rapidă și închideți maneta pe clema tubului (Fig. C3).
4. Strângeți piulița cu aripi pentru a fixa clema tubului (Fig. C4).

C1-1	Tub suflantă	C1-2	Clema tubului
C1-3	Manetă de eliberare rapidă	C1-4	Piuliță fluture
C2-1	Canelură a tubului suflantei	C2-2	Nervura tubului mânerului de control

### Conectarea duzei conice la tubul suflantei

1. Aliniați canelura din duză cu încuietorea de pe tub. Împingeți duza peste tub până când se fixează bine în poziție (Fig. D1).
2. **Pentru a scoate duza**, apăsați și mențineți apăsat butonul de eliberare a duzei pentru a decupla zăvorul, apoi trageți duza direct din tubul suflantei (Fig. D2).

D1-1	Buton de eliberare a duzei	D1-2	Zăvor
------	----------------------------	------	-------

## FUNCȚIONARE

**⚠️ AVERTISMENT:** Nu permiteți ca familiarizarea cu acest produs să vă determine să fiți neatent. Amintiți-vă că o fracțiune de secundă de neatenție este suficientă pentru a provoca vătămări grave.

**⚠️ AVERTISMENT:** Nu utilizați nicio componentă sau accesoriu care nu a fost recomandat de producătorul acestui produs. Utilizarea de accesorii nerecomandate se poate solda cu vătămări grave.

**⚠️ AVERTISMENT:** Întotdeauna scoateți setul de acumulatori din produs înainte de a asambla componente, efectua reglaje, curăța sau când produsul nu este utilizat. Îndepărtarea setului de acumulatori va preveni pomirea accidentală care poate cauza răni personale grave.

Înainte de fiecare utilizare, inspectați întregul produs pentru depistarea defectelor, componentelor lipsă sau slăbite precum șuruburi, piulițe, bolțuri, capace, etc. Strângeți bine toate elementele de prindere și capacele și nu utilizați acest produs dacă piesele lipsă sau defecte nu sunt înlocuite.

## APLICARE

Puteți utiliza acest produs în scopurile menționate mai jos:

- Curățarea frunzelor și a resturilor diverse din curte din peluze și paturi de mulci.
- Curățarea suprafețelor dure precum căi de acces și alei.
- Îndepărtarea frunzelor și a acelor de pin de pe terase și căi de acces.

RO

**OBSERVAȚIE:** Scula trebuie utilizată numai în scopul pentru care a fost proiectată. Orice altă utilizare este considerată a fi caz de utilizare necorespunzătoare.

## ATAȘAREA/DETAȘAREA SETULUI DE ACUMULATORI

Utilizați numai seturile de acumulatori EGO și încărcătoarele prezentate în Fig. A2.

Pentru mai multe detalii, consultați manualele corespunzătoare ale bateriilor și încărcătoarelor.

### Încărcați acumulatorul complet înainte de prima utilizare.

**NOTĂ:** Pentru cele mai bune performanțe, recomandăm utilizarea pachetului de baterii EGO 56V BA3360T (6,0 Ah) sau a altor pachete de baterii EGO 56V cu o capacitate mai mare de Ah.

Suflanta are două porturi active pentru baterii, situate în partea stângă și dreaptă a carcasei portului bateriei.

**NOTĂ:** Suflanta poate funcționa cu una sau două baterii. Utilizarea a două baterii vă oferă un timp de funcționare mai lung și un consum eficient de energie gestionat de tehnologia PEAK POWER™.

Când acumulatorii sunt introduși în porturile corespunzătoare ale bateriei marcate cu 1 sau 2 pe placa rucsacului și suflanta este pornită, pictograma corespunzătoare a bateriei se va aprinde pe ecranul LCD (Fig. E1).

### Pentru atașare (Fig. E2)

Aliniați nervurile bateriei cu fantele de montare din una dintre ele și apăsați pachetul de baterii în jos până când auziți un "clic". Atașați cealaltă baterie.

### Pentru detașare

Apăsați butonul de detașare al setului de acumulatori și scoateți setul de acumulatori.

**⚠ AVERTISMENT:** Întotdeauna acordați atenție amplasamentului picioarelor dumneavoastră, a copiilor sau animalelor de companie când apăsați butonul de detașare al acumulatorului. În cazul căderii bateriei, pot rezulta răni grave. **NICIODATĂ** nu scoateți bateria atunci când vă aflați într-o locație înaltă.

E1-1	Numărul porturilor bateriei	E1-2	Ecran LCD
E1-3	Pictogramă baterie	E2-1	Locaș acumulator
E2-2	Fantă de montare	E2-3	Buton de eliberare a acumulatorului

## POZIȚIONAREA SUFLANTEI CU SUPORT DE SPATE

**⚠ AVERTISMENT:** Îmbrăcați-vă corespunzător pentru a reduce riscul de vătămare când utilizați această mașină. Nu purtați haine largi sau bijuterii. Purtați echipament de protecție oculară și auditivă. Purtați pantaloni lungi rezistenți, cizme și mănuși. Nu purtați pantaloni scurți, sandale sau să stați desculți.

Înainte de a utiliza suflanta rucsacului, asigurați-vă că operatorul poartă echipament de protecție a ochilor și îmbrăcăminte adecvată și poate menține un picior sigur și echilibrat.

### Pentru ajustarea harnașamentului de suport

1. Trageți de cele două curele ale plăcii rucsacului pentru a vă asigura că harnașamentului este bine atașat de placa rucsacului (Fig. F1).
2. Reglați pernutele pentru spate și pernuța lombară pentru confortul dvs., dacă este necesar.
  - Slăbiți curelele de umăr, dezlipiți pernutele din spate de pe velcro și mutați-le în poziția dorită, apoi trageți de bretele pentru a fixa pernutele pentru rucsacul dvs. (Fig. F2).

**NOTĂ:** Liniiile orizontale de pe pernutele din spate ajută ambele pernute să fie reglate la același nivel.

- Scoateți pernița lombară de pe velcro și mutați pernița în poziția dorită (Fig. F3).
3. Treceți bratele prin harnașamentul pentru susținerea suflantei pe spate. Reglați temporar curelele de piept în poziții confortabile, asigurându-vă că cotul brațului drept este confortabil atunci când țineți mânerul de comandă (Fig. F4).
  4. Prindeți catarama de talie și reglați lungimea curelelor de talie astfel încât harnașamentul să fie bine susținut de talia dvs. Dacă catarama din talie este greu de fixat, reglați cele două curele laterale de pe fiecare parte pentru a o face ușor (Fig. F5).

**NOTĂ:** Harnașamentul nu trebuie să stea prea sus pe spate; ar trebui să fie poziționat mai aproape de șolduri decât de umeri.

**⚠ AVERTISMENT:** Când apare o urgență, eliberați imediat catarama din talie pentru a scoate harnașamentul. Aceasta este o metodă de eliberare rapidă.

5. Reglați chingile de umăr pentru siguranță și confort. Asigurați-vă că harnașamentul se așează bine pe spate, cu greutatea susținută de cureaua de talie și fără mișcări excesive atunci când vă deplasați (Fig. F6).

- Introduceți orice lungime suplimentară a curelelor în elastic (Fig. F7).
- Există mai multe benzi reflectorizante pentru o funcționare sigură. Asigurați-vă că nu acoperiți benzile care reflectă lumina în timpul funcționării (Fig. F8).
- Pentru a detașa harnașamentul de pe spate,** trebuie doar să apăsați catarama din talie pentru a o elibera și să coborâți suflanta (Fig. F9).

F1-1	Curele	F1-2	Suport de spate
F2-1	Curele de umăr	F2-2	Liniile orizontale
F3-1	Pernuță lombară	F4-1	Curele de piept
F5-1	Curele de talie	F5-2	Cataramă de talie
F5-3	Curele laterale	F7-1	Elastic
F7-2	Lungimea suplimentară a curelei	F8-1	Benzi reflectorizante

#### Ajustarea mânerului de control

- Eliberați maneta de eliberare rapidă pentru a deplasa mânerul de control înainte sau înapoi, după cum este necesar (Fig. G1 & G2) și apoi activați maneta de eliberare rapidă pentru a fixa mânerul de control în poziție.
- De asemenea, puteți roti mânerul după cum este necesar pentru confort (Fig. G3).

G1-1	Mâner de control	G1-2	Manetă de eliberare rapidă
------	------------------	------	----------------------------

#### Pentru a regla lungimea tubului mânerului de control (Fig. H1, H2)

- Eliberați maneta de eliberare rapidă (Fig. H1).
- Mutați tubul suflantei într-o poziție confortabilă de funcționare în zona de reglare (Fig. H2).
- Cuplați pârghia de eliberare rapidă pentru a fixa tubul suflantei în poziție (Fig. H2).

H1-1	Manetă de eliberare rapidă	H2-1	Tub suflantă
H2-2	Zona de ajustare		

#### PORNIREA/OPRIREA SUFLANTEI

**NOTĂ:** Este posibil ca suflanta să nu pornească corect dacă acumulatorul sau temperatura suflantei este de -15° C sau mai mică. În acest caz, scoateți acumulatorul din suflantă, lăsați acumulatorul și suflanta să se încălzească

în interior timp de 10 minute sau mai mult. Reinstalați acumulatorul și încercați din nou.

#### Declanșatorul vitezei aerului (Fig. I1, I2)

- Apăsați declanșatorul vitezei aerului pentru a porni suflanta, apoi ecranul LCD va afișa indicatorul de combustibil, pictograma bateriei și indicatorul vitezei aerului.

**NOTĂ:** 1 LED al indicatorului de combustibil de pe ecranul LCD clipește atunci când încărcarea bateriei este scăzută.

- Viteza aerului suflantei este controlată cu declanșatorul de viteză variabilă. O presiune mai mare asupra declanșatorului duce la viteze mai mari de suflare; o presiune mai mică asupra declanșatorului are ca rezultat viteze mai mici de suflare. Reglați viteza pentru a se potrivi sarcinii de îndeplinit. Indicatorul corespunzător al vitezei aerului va fi afișat pe ecranul LCD.
- Eliberați declanșatorul de viteză a aerului pentru a opri suflanta. Ecranul LCD se va stinge într-o anumită perioadă de timp după ce declanșatorul este eliberat.

**NOTĂ:** Dacă se utilizează un acumulator sub 4 Ah, viteza aerului este limitată la numai două bare.

#### Mod Turbo

În timp ce declanșatorul vitezei aerului este apăsat și menținut, apăsați butonul turbo pentru a crește fluxul de aer la viteza maximă (Fig. I1). Atât indicatorul turbo, cât și pictograma ventilatorului se vor aprinde pe ecranul LCD (Fig. I3).

**NOTĂ:** Suflanta revine la viteza anterioară când butonul turbo este eliberat.

#### Modul de blocare a vitezei

Blocarea vitezei poate fi utilizată pentru a acționa suflanta fără a apăsa continuu declanșatorul vitezei aerului.

- Apăsați declanșatorul vitezei aerului până când ajungeți la viteza dorită (Fig. I1).
- Apăsați butonul de blocare a vitezei. Pictograma de blocare a vitezei se va aprinde pe ecranul LCD (Fig. I4).
- Apoi eliberați declanșatorul vitezei aerului, suflanta va continua să funcționeze la viteza "dorită".

**NOTĂ:** Apăsarea butonului turbo în timp ce vă aflați în modul de blocare a vitezei poate bloca viteza aerului la nivelul maxim. Suflanta va relua viteza anterioară atunci când apăsați din nou butonul turbo.

- Pentru a elibera blocarea vitezei,** apăsați din nou butonul de blocare a vitezei. Pictograma de blocare a

vitezei va dispărea de pe ecranul LCD și suflanta se va opri.

I1-1	Buton Turbo	I1-2	Butonul de blocare a vitezei
I1-3	Trăgaci viteză aer	I2-1	Indicator de alimentare
I2-2	Indicator de viteză a aerului	I2-3	Pictogramă baterie
I3-1	Pictograma ventilator	I3-2	Indicator Turbo
I4-1	Pictograma blocare viteză		

## LUMINĂ LED (Fig. J)

Lumina LED este situată în partea din față a mânerului de comandă. Oferă iluminare pentru o vizibilitate sporită.

Apăsăți o dată butonul de lumină LED pentru a aprinde lumina, apăsați-l din nou pentru a stinge lumina. De asemenea, se va opri automat după aproximativ 5 minute de inactivitate a suflantei.

J-1	Buton luminos cu LED	J-2	Lumină LED
-----	----------------------	-----	------------

## TEHNOLOGIA COMUNICĂRII

Pentru informații despre întreaga noastră gamă de produse și servicii conectate, inclusiv instrucțiuni de conectare, vă rugăm să scanați codul QR de mai jos sau să vizitați

[www.egopowerplus.eu/connect](http://www.egopowerplus.eu/connect).



## SFATURI PENTRU UTILIZAREA SUFLANTEI

- Pentru a preveni împrăștierea resturilor vegetale, suflați în jurul marginilor exterioare a unei grămezi de reziduuri. Nu suflați niciodată direct în centrul grămezii.
- Pentru a reduce nivelul sonor, limitați numărul de echipamente folosite simultan.
- Utilizați greble și mătură pentru a detașa resturile înainte de a le sufla. În condiții cu praf, umeziți ușor suprafețele dacă dispuneți de apă.
- Atenție la copii, animale, ferestre deschise sau mașini proaspăt spălate și suflați resturile în siguranță.

- După utilizarea suflantelor sau a altor echipamente, curățați! Eliminați resturile într-un mod corect.

## ÎNȚREȚINEREA

**⚠ AVERTISMENT:** La depanare, utilizați numai piese de schimb identice. Utilizarea oricăror altor piese poate crea un pericol sau poate produce o deteriorare. Pentru siguranța și fiabilitatea produsului, toate reparațiile trebuie efectuate de către un tehnician de service autorizat.

**⚠ AVERTISMENT:** Pentru evitarea vătămărilor personale grave, îndepărtați întotdeauna bateria din sculă când curățați sau efectuați orice operație de întreținere.

## ÎNȚREȚINERE GENERALĂ

Evitați utilizarea solvenților când curățați piese din plastic. Majoritatea pieselor din plastic sunt susceptibile să se deterioreze de la diverse tipuri de solvenți comerciali și se pot defecta prin utilizarea acestora. Utilizați o cârpă curată pentru a îndepărta murdăria, praful, uleiul, vaselina etc.

**⚠ AVERTISMENT:** Nu permiteți niciodată lichidelor de frână, benzinei, produselor petroliere, uleiurilor penetrante etc. să vină în contact cu piese din plastic. Substanțele chimice pot deteriora, pot fragiliza sau pot distruge plasticul, ceea ce se poate solda cu vătămări grave.

**⚠ AVERTISMENT:** Pentru a reduce riscul de incendiu, de vătămare corporală și de deteriorare a produsului din cauza unui scurtcircuit, nu scufundați niciodată aparatul, bateria sau încărcătorul în lichid și nu permiteți ca un lichid să curgă în interiorul acestora. Fluidele corozive sau conductoare, cum ar fi apa de mare, anumite substanțe chimice industriale și înălbitor sau produse care conțin înălbitor etc., pot provoca un scurtcircuit.

## DEPOZITARE

- Scoateți pachetul (pachetele) de baterii din suflantă.
- Îndepărtați toate materialele străine din prizele de aer ale suflantei.
- Fixați catarama de depozitare verticală pentru a agăța tubul suflantei pe carcasa portului bateriei (Fig. K).
- Depozitați produsul într-un loc inaccesibil copiilor. Țineți-l la distanță de agenți corozivi, precum substanțele chimice de grădină și sărurile de dezghețare.

K-1	Cataramă de depozitare verticală
-----	----------------------------------

**PROTEJÂND MEDIUL ÎNCONJURĂTOR**

Nu eliminați echipamentul electric, bateria epuizată și încărcătorul de baterii împreună cu deșeurile menajere! Predați acest produs unui punct de reciclare autorizat sau puneți-l la dispoziția colectării separate. Sculele electrice trebuie returnate unui centru de reciclare ecologic.

**RO**

## DEPANAREA

PROBLEMĂ	CAUZĂ	SOLUȚIE
Suflanta nu funcționează.	<ul style="list-style-type: none"> <li>■ Setul de acumulatori nu este atașat la suflantă.</li> <li>■ Nu există contact electric între suflantă și acumulator.</li> <li>■ Încărcarea acumulatorului este epuizată.</li> <li>■ Setul de acumulatori sau suflanta sunt prea fierbinți.</li> <li>■ Declanșatorul vitezei aerului deteriorat.</li> <li>■ Setul de acumulatori sau suflanta sunt prea reci.</li> </ul>	<ul style="list-style-type: none"> <li>■ Atașați acumulatorul la suflantă.</li> <li>■ Îndepărtați acumulatorul, verificați contactele și reinstalați acumulatorul.</li> <li>■ Încărcați setul de acumulatori.</li> <li>■ Răciți pachetul de baterii și suflanta până când temperatura acestora scade sub 67°C.</li> <li>■ Contactați Serviciul clienți EGO pentru reparații.</li> <li>■ Scoateți acumulatorul, lăsați acumulatorul și suflanta să se încălzească în interior. Se recomandă încărcarea completă a acumulatorului și pornirea suflantei la viteză mică fără a activa modul Turbo.</li> </ul>
Atunci când declanșatorul de viteză a aerului este apăsat, pe ecranul LCD sunt afișate doar cele două pictograme de jos ale vitezei aerului.	<ul style="list-style-type: none"> <li>■ A fost utilizat un acumulator cu Ah redus.</li> </ul>	<ul style="list-style-type: none"> <li>■ Utilizați baterii de 4,0 Ah sau mai mari.</li> </ul>
Modul de blocare a vitezei nu poate fi activat sau dezactivat.	<ul style="list-style-type: none"> <li>■ Buton de blocare a vitezei deteriorat.</li> </ul>	<ul style="list-style-type: none"> <li>■ Contactați Serviciul clienți EGO pentru reparații.</li> </ul>
Viteza aerului este redusă în mod vizibil.	<ul style="list-style-type: none"> <li>■ Încărcarea acumulatorului este redusă.</li> <li>■ Uzura excesivă a motorului ventilatorului.</li> <li>■ Admisia de aer este blocată cu resturi.</li> </ul>	<ul style="list-style-type: none"> <li>■ Încărcați setul de acumulatori.</li> <li>■ Contactați service-ul EGO pentru reparații.</li> <li>■ Scoateți pachetul de baterii, apoi îndepărtați resturile.</li> </ul>
Ecranul LCD nu funcționează corect.	<ul style="list-style-type: none"> <li>■ Ecranul LCD sau conexiunea prin cablu sunt deteriorate.</li> </ul>	<ul style="list-style-type: none"> <li>■ Contactați service-ul EGO pentru reparații.</li> </ul>
1 LED al indicatorului de combustibil de pe ecranul LCD clipește.	<ul style="list-style-type: none"> <li>■ Încărcarea acumulatorului este redusă.</li> </ul>	<ul style="list-style-type: none"> <li>■ Încărcați setul de acumulatori.</li> </ul>

RO

## GARANȚIE

### POLITICA PRIVIND GARANȚIA EGO

Vă rugăm să vizitați site-ul [egopowerplus.eu](http://egopowerplus.eu) pentru termenii și condițiile complete ale politicii de garanție EGO.

## PREBERITE VSA NAVODILA!



**PREBERITE PRIROČNIK Z NAVODILI ZA UPORABO**

**⚠ OPOZORILO:** Za zagotovitev varnosti in zanesljivosti mora vsa popravila izvesti usposobljen servisni tehnik.

## VARNOSTNI SIMBOLI

Namen varnostnih simbolov je, da vas opozorijo na morebitne nevarnosti. Bodite pozorni na varnostne simbole in njihova pojasnila ter jih poskušajte razumeti. Opozorilni simboli sami ne odpravljajo nobene nevarnosti. Navodila in opozorila niso nadomestilo za ustrezne ukrepe za preprečevanje nesreč.

**⚠ OPOZORILO:** Pred uporabo tega stroja preberite in poskrbite, da boste razumeli vsa varnostna navodila v tem priročniku, vključno z vsemi varnostnimi opozorilnimi simboli, kot so »**NEVARNOST**«, »**OPOZORILO**« in »**POZOR**«. Zaradi neupoštevanja spodaj navedenih navodil lahko pride do električnega udara, požara in/ali resnih telesnih poškodb.

## POMEN SIMBOLA

**⚠ SIMBOL VARNOSTNEGA OPOZORILO:** Označuje **NEVARNOST**, **OPOZORILO** ali **SVARILO** in se lahko uporablja skupaj z drugimi simboli ali piktogrami.

## VARNOSTNA NAVODILA

Na tej strani so prikazani in opisani varnostni simboli, ki se lahko pojavijo na tem izdelku. Preberite, osvojite in sledite navodilom na stroju, preden ga boste poskušali sestaviti in upravljati.



Varnostno opozorilo



Pri delu s tem izdelkom vedno nosite zaščitno za ušesa.



Vsi opazovalci naj bodo oddaljeni najmanj 15 m.



Odpadnih električnih izdelkov ne odlagajte med gospodinjne odpadke. Odnosite jih v pooblaščen obrat za recikliranje.



Enosmerni tok



Ne zrite v sijalko za prikaz delovanja.

IPX5

Zaščita pred vodnimi curki

B

Napetost

°C

Celzij

N

Newton



Za zmanjšanje nevarnosti telesnih poškodb je pomembno, da uporabnik prebere priročnik z navodili za uporabo.



Pri upravljanju tega izdelka vedno nosite zaščitna očala ali varnostna očala s stransko zaščito in ščitnik za obraz.



Zagotovljena raven zvočne moči. Emisije hrupa v okolico so v skladu z direktivo Evropske skupnosti.



Ta izdelek je skladen z veljavnimi direktivami ES.



Ta izdelek je v skladu z veljavno zakonodajo Združenega kraljestva



Simbol Bluetooth®

kg

Kilogram

m<sup>3</sup>/h


Kubični meter na uro

m/s

Meter na sekundo

SL

## TEHNIČNI PODATKI

Napetost	56 V 
Maksimalna prostornina zraka	1870 m <sup>3</sup> /h
Največja hitrost zraka	85 m/s
Največja moč pihanja	36 N
Frekvenčni pas delovanja Bluetooth	2400-2438 MHz
Največja moč prenosa Bluetooth	5 dBm
Teža (brez baterijskega sklopa)	9,6 kg
Priporočena obratovalna temperatura	Od -15 °C do 40 °C
Priporočena temperatura za shranjevanje	od -20 °C do 70 °C
Izmerjena raven zvočne moči L <sub>WA</sub>	96 dB(A) K=1,4 dB(A)
Raven zvočnega tlaka v ušesu upravljalca L <sub>PA</sub>	83 dB(A) K=3 dB(A)
Zagotovljena raven zvočnega tlaka L <sub>WA</sub> (izmerjena v skladu z Direktivo 2000/14/ES)	98 dB(A)
Vibration a <sub>n</sub>	0,25 m/s <sup>2</sup> K=1,5 m/s <sup>2</sup>

SL

- Nazivna skupna vrednost tresljajev je bila izmerjena v skladu s standardno preskusno metodo in jo je mogoče uporabiti za primerjavo enega orodja z drugim;
- Nazivno skupno vrednost tresljajev je mogoče uporabiti tudi za predhodno oceno izpostavljenosti.

**OPOMBA:** Oddajanje tresljajev med dejansko uporabo električnega orodja se lahko razlikuje od nazivne vrednosti, v kateri se uporablja orodje. Upravljalcev se lahko zaščitijo tako, da uporabljajo rokavice in naušnike, primerne dejanskim pogojem uporabe.

## VSEBINA PAKETA (SL A1)

### OPIS

#### SPOZNAJTE SVOJ PUHALNIK (sl. A1)

1. Nastavljiv podporni pas
2. Spona za shranjevanje v pokončnem položaju

3. Plošča nahrbtnega dela
4. Krmilna ročica
5. Stožčasta šoba
6. Cev puhalnika
7. Cevna objemka
8. Cev nadzornega ročaja
9. Objemka za krmilno ročico
10. Objemka meha
11. Meh
12. Dovod zraka
13. Ročaj za prijem
14. Električni kontakti
15. Varovalo
16. Gumbi za sprostitvev baterije
17. Ročaj
18. Sprožilec hitrosti zraka
19. Gumb za zaklepanje hitrosti
20. Lučka LED
21. Zaslon LCD
22. Gumb za lučko LED
23. Gumb Turbo
24. Vzvodi za hitro sprostitvev
25. Indikator Bluetooth
26. Merilnik stanja goriva
27. Ikona ventilatorja
28. Indikator Turbo
29. Indikator za hitrost zraka
30. Ikona za zaklepanje hitrosti
31. Ikona akumulatorja

## SESTAVLJANJE

**⚠ OPOZORILO:** Če so deli poškodovani ali manjkajo, orodja ne uporabljajte, dokler ne zamenjate delov. Če ta izdelek uporabljate s poškodovanimi ali manjkajočimi deli, lahko pride do hudih telesnih poškodb.

**⚠ OPOZORILO:** Tega izdelka ne poskušajte spreminjati in ne poskušajte izdelovati dodatkov, ki niso primerni za uporabo s tem puhalnikom. Vsako tako spreminjanje ali predelava se šteje za napačno uporabo in povzroči tveganja, ki lahko povzročijo hude telesne poškodbe.

**⚠ OPOZORILO:** Pri nameščanju delov vedno



odstranite bateriji, da preprečite nenamerni zagon, ki bi lahko povzročil resno telesno poškodbo.

## NAMEŠČANJE CEVI PUHALNIKA

### Priključitev cevi krmilne ročice na meh

1. Za priročno montažo postavite puhalnik s podpornim pasom, obrnjenim navzgor, kot je prikazano na sl. B1.
2. Razrahljajte in odstranite dva vijaka z ene strani objemke meha, delno odprite objemko meha, vendar se prepričajte, da je jeziček na robu meha popolnoma vstavljen v režo v objemki (sl. B2).
3. Vstavite zadnji konec cevi krmilne ročice v meh, dokler se zadnja končna površina ne dotakne končne površine objemke meha (sl. B3).
4. Objemka meha se lahko popolnoma zapre, ko je cev krmilne ročice pravilno povezana z mehom. Tesno privijte vijake objemke meha (sl. B4).

B1-1	Podporni pas	B1-2	Meh
B2-1	Vijaki	B2-2	Reža
B2-3	Zavihek	B2-4	Objemka meha
B3-1	Cev krmilne ročice	B3-2	Zadnji del
B3-3	Površina zadnjega dela	B3-4	Končna površina objemke meha

### Priključitev cevi puhalnika na cev krmilne ročice

1. Zrahljajte in odstranite vzvod za hitro sprostitvev in krilato matico s sklopa objemke cevi, ki je pritrjena na cev puhalnika (sl. C1).
2. Poravnajte utor v cevi puhalnika z rebrom na cevi krmilne ročice, potisnite cev puhalnika čez cev krmilne ročice, kolikor gre (sl. C2).
3. Vstavite zatič vzvod za hitro sprostitvev in zaprite vzvod na objemko cevi (sl. C3).
4. Zategnite krilato matico, da pritrdite objemko cevi (sl. C4).

C1-1	Cev puhalnika	C1-2	Cevna objemka
C1-3	Vzvod za hitro sprostitvev	C1-4	Krilna matica
C2-1	Utor puhalne cevi	C2-2	Rebro cevi krmilne ročice

### Priključitev stožčaste šobe na cev puhalnika

1. Utor v šobi poravnajte z varovalom na cevi. Potisnite

šobo čez cev, dokler se varno ne zaskoči (sl. D1).

2. Če želite odstraniti šobo, pritisnite in držite gumb za sprostitvev šobe, da sprostite varovalo, nato pa šobo potegnite naravnost s cevi puhalnika (sl. D2).

D1-1	Gumb za sprostitvev šobe	D1-2	Varovalo
------	--------------------------	------	----------

## UPRVLJANJE

**⚠ OPOZORILO:** Tudi če se dodobra seznanite s tem izdelkom, bodite pri ravnanju z njim pazljivi. Upoštevajte, da je samo delček sekunde nepazljivosti dovolj, da pride do hude telesne poškodbe.

**⚠ OPOZORILO:** Ne uporabljajte priključkov ali dodatkov, ki jih proizvajalec tega izdelka ne priporoča. Uporaba priključkov ali dodatkov, ki niso priporočeni, lahko povzroči hude telesne poškodbe.

**⚠ OPOZORILO:** Pri nameščanju delov, opravljanju prilagoditev, čiščenju ali kadar izdelek ni v uporabi vedno odstranite bateriji. Odstranitev baterij bo preprečila nenamerni zagon, ki bi lahko povzročil resno telesno poškodbo.

Pred vsako uporabo celoten izdelek preglejte za poškodovane, manjkajoče ali zrahljanje dele, kot so vijaki, matice in pokrovi. Vsa zapirala in pokrove trdno privijte in izdelka ne uporabljajte, dokler ne zamenjajte manjkajočih ali poškodovanih delov.

## UPORABA

Ta izdelek lahko uporabljate za naslednje namene:

- Čiščenje listov in različnih dvoriščnih odpadkov s travnikov in zastirk.
- Čiščenje trdnih površin, kot so dovozi in sprehajalne poti.
- Ohranjanje sprehajališč in poti brez listja in iglic.

**OPOMBA:** Orodje lahko uporabljate samo za predvideni namen. Kakršna koli druga uporaba se smatra za nepravilno uporabo.

## PRIKLJUČITEV/ODKLOP BATERIJSKEGA SKLOPA

Napravo uporabljajte samo z baterijskimi sklopi in polnilniki EGO, navedenimi na sl. A2.

Za več podrobnosti glejte ustrezne priročnike za baterijske sklope in polnilnike.

### Pred prvo uporabo baterijo popolnoma napolnite.

**OPOMBA:** Za najboljšo zmogljivost priporočamo uporabo

SL

baterijskega paketa EGO 56V BA3360T (6,0 Ah) ali drugih baterijskih paketov EGO 56V z večjo zmogljivostjo Ah.

Puhalnik ima dve aktivni akumulatorski ohišji, ki se nahajata na levi in desni strani ohišja za akumulatorski priključek.

**OPOMBA:** Puhalnik lahko deluje z eno ali dvema baterijama. Uporaba dveh baterij omogoča daljši čas delovanja in učinkovito porabo energije, ki jo omogoča tehnologija PEAK POWER™.

Ko so baterijski sklopi vstavljeni v ustrezno ohišje za baterijo, označeno z 1 ali 2 na plošči nahrbtnika, in je puhalnik vklopljen, bo na zaslonu LCD zasvetila ustrezna ikona za baterijo (sl. E1).

### Za pritrditev (sl. E2)

Poravnajte rebra baterije z režami za pritrditev in pritisnite baterijo navzdol, dokler ne zaslišite klika. Namestite drugo baterijo.

### Napotki za odklop

Pritisnite gumb za sprostitve baterije in baterijski sklop potegnite ven.

**⚠ OPOZORILO:** Ko pritisnete gumb za sprostitve baterij, bodite vedno pozorni na svoje noge, otroke ali hišne ljubljence. Če vam baterijski sklop pade na tla, lahko pride do hudih poškodb. NIKOLI ne odstranjujte baterije, če ste na visokem mestu.

E1-1	Številka ohišja baterije	E1-2	Zaslon LCD
E1-3	Ikona akumulatorja	E2-1	Rebro baterije
E2-2	Reža za montažo	E2-3	Gumb za sprostitve baterije

### NAMEŠČANJE PUHALNIKA Z NAHRBTNIKOM

**⚠ OPOZORILO:** Za upravljanje te naprave se primerno oblecite, da zmanjšate nevarnost telesnih poškodb. Ne nosite ohlapnih oblačil ali nakita. Uporabljajte zaščito za oči in ušesa. Nosite robustne dolge hlače, škornje in rokavice. Ne nosite kratkih hlač, sandalov ali bodite bos.

Pred uporabo nahrbtnega puhalnika se prepričajte, da upravljavec nosi zaščito za oči in ustrezna oblačila ter da lahko stoji varno in uravnoteženo.

### Nastavitev podpornega pasu

- Potegnite oba trakova plošče nahrbtnika in se prepričajte, da je pas varno pritrjen na ploščo nahrbtnega dela (sl. F1).
- Po potrebi prilagodite hrbtno in ledveno blazinico za

večje udobje.

- Sprostite ramenske pasove, odlepite hrbtno blazinico z ježka in jih premaknite v zeleni položaj, nato pa potegnite ramenske pasove, da blazinice pritrđite na svoj položaj (sl. F2).

**OPOMBA:** Vodoravne črte na hrbtnih blazinicah omogočajo nastavitve beh blazinic v isti višini.

- Odlepite ledveno blazinico z ježka in jo premaknite v zeleni položaj (sl. F3).
- Roke potisnite skozi naramnice nahrbtnika, da puhalnik podprete na hrbet. Začasno nastavite prsne pasove v udobne položaje in poskrbite, da bo komolec desne roke udoben, ko boste držali krmilno ročico (sl. F4).
  - Zapnite sponko za pas in prilagodite dolžino traka okoli pasu, tako da je nahrbtnik varno podprt na vaših bokih. Če se pasna zaponka težko zaskoči, prilagodite oba stranska pasova na vsaki strani, da bo to lažje (sl. F5).

**OPOMBA:** Nahrbtnik ne smete nositi previsoko na hrbtu; nameščen mora biti bližje bokom kot ramenom.

**⚠ OPOZORILO:** V nujnih primerih takoj sprostite pasno zaponko, da boste lahko sneli nahrbtnik. To je metoda hitre sprostitve.

- Za varnost in udobje ponovno nastavite prsne trakove. Prepričajte se, da je nahrtnik varno nameščen na vašem hrbtu, pri čemer težo podpira trak okoli pasu, ter ni odvečnega premikanja med vašim gibanjem (sl. F6).
- Odvečne dolžine trakov vstavite v elastiko (sl. F7).
- Za varno delovanje je na voljo več svetlobno odbojnih trakov. Pazite, da med delovanjem ne prekrijete svetlobno odbojnih trakov (sl. F8).
- Če želite s hrhta sneti varnostni pas,** pritisnite pasno zaponko, da jo sprostite, in spustite puhalnik (sl. F9).

F1-1	Pasovi	F1-2	Plošča nahrbtnega dela
F2-1	Ramenski pasovi	F2-2	Vodoravne črte
F3-1	Ledvena blazinica	F4-1	Prsni trakovi
F5-1	Pasni trakovi	F5-2	Sponka za pas
F5-3	Stranski trakovi	F7-1	Elastika
F7-2	Dotatna dolžina traku	F8-1	Svetlobno odbojni trakovi

### Prilaganje krmilne ročice

1. Sprostite vzvod za hitro sprostitvev in premaknite krmilno ročico naprej ali nazaj po potrebi (sl. G1 in G2), nato pa uporabite vzvod za hitro sprostitvev, da se krmilna ročica pritrdi na mesto.
2. Za udobje lahko ročaj po potrebi tudi zavrtite (sl. G3).

G1-1	Krmilna ročica	G1-2	Vzvod za hitro sprostitvev
------	----------------	------	----------------------------

### Nastavitev dolžine cevi krmilne ročice (sl. H1, H2)

1. Sprostite vzvod za hitro sprostitvev (sl. H1).
2. Cev puhalnika premaknite v udoben delovni položaj znotraj območja nastavitve (sl. H2).
3. Z vzvodom za hitro sprostitvev pritrdite cev puhalnika na mesto (sl. H2).

H1-1	Vzvod za hitro sprostitvev	H2-1	Cev puhalnika
H2-2	Prilagoditveno območje		

### ZAGON/ZAUSTAVITEV PUHALNIKA

**OPOMBA:** Če je temperatura baterije puhalnika  $-15\text{ }^{\circ}\text{C}$  ali manj, se baterijski sklop morda ne bo pravilno zagnal. V tem primeru odstranite baterijo iz puhalnika in počakajte 10 minut ali več, da se puhalnik v notranjem prostoru segreje. Znova vstavite baterijo in poskusite znova.

### Sprožilec hitrosti zraka (sl. I1, I2)

- Pritisnite sprožilec za hitrost zraka, da vklopite puhalnik, nato se na zaslonu LCD prikažejo merilnik goriva, ikona baterije in indikator hitrosti zraka.

**OPOMBA:** 1 dioda LED merilnika goriva na LCD-zaslonu utripa, ko je napoljenost baterije nizka.

- Hitrost zraka puhalnika se uravnava s sprožilcem spremenljive hitrosti. Več tlaka na sprožilcu pomeni višje hitrosti pihanja; manj tlaka na sprožilcu pomeni nižje hitrosti pihanja. Prilagodite hitrost trenutnemu opravilu. Ustrezen indikator hitrosti zraka bo prikazan na zaslonu LCD.
- Sprostite sprožilec hitrosti zraka, da izklopite puhalnik. Zaslon LCD se bo izklopil v določenem času po sprostitvi sprožilca.

**OPOMBA:** Če uporabljate baterijski sklop z zmogljivostjo manj kot 4 Ah, je hitrost zraka omejena le na dva bara.

### Način Turbo

Medtem ko je sprožilec hitrosti zraka pritisnjen in zadržan, pritisnite turbo gumb, da povečate pretok zraka do največje hitrosti (sl. I1). Na zaslonu LCD zasvetita indikator turbo in ikona ventilatorja (sl. I3).

**OPOMBA:** Puhalnik se vrne na prejšnjo hitrost, ko gumb turbo sprostitve.

### Način zaklepanja hitrosti

Zaklep hitrosti se lahko uporablja za upravljanje puhalnika brez stalnega pritiska na sprožilec hitrosti zraka.

1. Pritisnite sprožilec hitrosti zraka, dokler ne dosežete zelene hitrosti (sl. I1).
2. Pritisnite gumb za zaklepanje hitrosti. Na LCD zaslonu bo svetila ikona za zaklepanje hitrosti (sl. I4).
3. Spustite sprožilec hitrosti zraka, puhalnik bo še naprej deloval z »zaklenjeno« hitrostjo.

**OPOMBA:** Če pritisnete turbo gumb v načinu zaklenjene hitrosti, lahko zaklenete hitrost zraka na največji ravni. Puhalnik se bo vrnil na prejšnjo hitrost, ko ponovno pritisnete gumb turbo.

4. Za sprostitvev zaklepanja hitrosti znova pritisnite gumb za zaklepanje hitrosti. Ikona za zaklepanje hitrosti bo izginila z zaslona LCD in puhalnik se bo izklopil.

I1-1	Gumb Turbo	I1-2	Gumb za zaklepanje hitrosti
I1-3	Sprožilec hitrosti zraka	I2-1	Merilnik stanja goriva
I2-2	Indikator za hitrost zraka	I2-3	Ikona akumulatorja
I3-1	Ikona ventilatorja	I3-2	Indikator Turbo
I4-1	Ikona za zaklepanje hitrosti		

**SL**

### LUČKA LED (sl. J)

Lučka LED se nahaja na sprednji strani krmilne ročice. Zagotavlja osvetlitev za večjo vidljivost.

Enkrat pritisnite gumb za lučko LED, da vklopite lučko, in ga pritisnite znova, da lučko izklopite. Prav tako se samodejno izklopi po približno 5 minutah nedejavnosti puhalnika.

J-1	Gumb za lučko LED	J-2	Lučka LED
-----	-------------------	-----	-----------

## KOMUNIKACIJSKA TEHNOLOGIJA

Za informacije ali našo celotno ponudbo povezanih izdelkov in storitev, vključno z navodili za povezavo, skenirajte spodnjo kodo QR ali obiščite spletno mesto

[www.egopowerplus.eu/connect](http://www.egopowerplus.eu/connect).



## NASVETI ZA UPORABO PUHALNIKA

- Da delci ne bi leteli naokrog, puhalnik uporabite tako, da pihate ob zunanjem robu kopicice. Nikoli ne pihajte neposredno v osrednji del kopicice.
- Za nižjo raven zvočnega hrupa napravo uporabljajte manj pogosto.
- Pred uporabo puhalnika z grabljami zrahljajte sprijeti material. V prašnih pogojih površine rahlo navlažite, če je voda na voljo.
- Pazite na otroke, domače živali, odprta okna ali sveže oprana vozila in odpadke varno odpihujte stran.
- Po uporabi puhalnikov ali druge opreme počistite! Odpadke odstranjujte na ustrezen način.

## VZDRŽEVANJE

SL

**⚠ OPOZORILO:** Za popravila uporabljajte samo identične nadomestne dele. Uporaba drugih delov je tvegana in lahko poškoduje izdelek. Za zagotovitev varnosti in zanesljivosti mora vsa popravila izvesti usposobljen servisni tehnik.

**⚠ OPOZORILO:** Pri čiščenju ali vzdrževanju vedno odstranite baterijo iz orodja, da preprečite hude telesne poškodbe.

## SPLOŠNO VZDRŽEVANJE

Pri čiščenju plastičnih delov ne uporabljajte topil. Večina vrst plastike se lahko pri uporabi različnih komercialnih topil poškoduje. Umazanijo, prah, olje, mast itd. odstranite s čisto krpo.

**⚠ OPOZORILO:** Zavorna tekočina, gorivo, izdelki na osnovi naftnih derivatov, prodirajoče olje nikoli ne smejo priti v stik s plastičnimi deli. Kemikalije lahko poškodujejo, oslabijo ali uničijo plastiko, kar lahko povzroči hude telesne poškodbe.

**⚠ OPOZORILO:** Če želite zmanjšati nevarnost požara, telesnih poškodb in poškodb izdelka zaradi kratkega stika, stroja, baterijskega sklopa ali polnilnika nikoli ne potopite v tekočino in ne dovolite, da tekočina teče v njih. Jedke ali prevodne tekočine, kot so morska voda, nekatere industrijske kemikalije in izdelki, ki vsebujejo belilo ali belilo itd., lahko povzročijo kratek stik.

## SKLADIŠČENJE

- Iz puhalnika odstranite baterijski(-e) sklop(-e).
- Iz vseh dovodov zraka puhalnika očistite vse tujke.
- Pritrdite pokončno zaponko za shranjevanje, da se cev puhalnika zatakne na ohišje baterijskega priključka (sl. K).
- Napravo skladiščite v notranjem prostoru, ki je nedostopen otrokom. Ne shranjujte je v bližini korozivnih sredstev, kot so vrtno kemikalije in soli za taljenje ledu.

K-1	Spona za shranjevanje v pokončnem položaju
-----	--

## VAROVANJE OKOLJA



Električne opreme, rabljene baterije in polnilnika ne odvrzite med gospodinjske odpadke! Izdelek odnesite na pooblaščen obrat za recikliranje in ga zavrzite ločeno. Električna orodja je treba odnesti na obrat za recikliranje in ga reciklirati na okolju prijazen način.

## ODPRAVLJANJE TEŽAV

TEŽAVA	VZROK	REŠITEV
Puhalnik ne deluje.	<ul style="list-style-type: none"> <li>■ Baterijski sklop ni pritrjen na puhalnik.</li> <li>■ Med puhalnikom in baterijskim sklopom ni električnega stika.</li> <li>■ Baterijski sklop je izpraznjen.</li> <li>■ Baterijski sklop ali puhalnik je prevroč.</li> <li>■ Sprožilec hitrosti zraka je poškodovan.</li> <li>■ Baterijski sklop ali puhalnik sta prehladna.</li> </ul>	<ul style="list-style-type: none"> <li>■ Baterijski sklop pritrdite na puhalnik.</li> <li>■ Odstranite baterijski sklop, preverite kontakte in znova namestite baterijski sklop.</li> <li>■ Napolnite baterijski sklop.</li> <li>■ Baterijski sklop in puhalnik ohladite do temperature, ki je nižja od 67 °C.</li> <li>■ Za popravilo se obrnite na podporo za kupce izdelkov EGO.</li> <li>■ Odstranite baterijo, pustite, da se baterija in puhalnik segrejeta v zaprtih prostorih. Priporočljivo je, da popolnoma napolnite baterijski sklop in zaženete puhalnik pri nizki hitrosti brez aktivacije Turbo načina.</li> </ul>
Ko pritisnete sprožilec hitrosti zraka, sta na zaslonu LCD prikazani samo spodnji dve ikoni hitrosti zraka.	<ul style="list-style-type: none"> <li>■ Uporabljate baterijski sklop z nizkim številom Ah.</li> </ul>	<ul style="list-style-type: none"> <li>■ Uporabite baterije s 4,0 Ah ali več.</li> </ul>
Načina zaklepanja hitrosti ni mogoče vklopiti ali izklopiti.	<ul style="list-style-type: none"> <li>■ Gumb za zaklepanje hitrosti je poškodovan.</li> </ul>	<ul style="list-style-type: none"> <li>■ Za popravilo se obrnite na podporo za kupce izdelkov EGO.</li> </ul>
Hitrost zraka se opazno zmanjša.	<ul style="list-style-type: none"> <li>■ Napolnjenost baterije je nizka.</li> <li>■ Ventilator motorja je prekomerno obrabljen.</li> <li>■ Dovod zraka je zamašen z delci.</li> </ul>	<ul style="list-style-type: none"> <li>■ Napolnite baterijski sklop.</li> <li>■ Za popravilo se obrnite EGO servis.</li> <li>■ Odstranite baterijski sklop, očistite delce.</li> </ul>
Zaslon LCD ne deluje pravilno.	<ul style="list-style-type: none"> <li>■ LCD zaslon ali žična povezava sta poškodovana.</li> </ul>	<ul style="list-style-type: none"> <li>■ Za popravilo se obrnite EGO servis.</li> </ul>
1 LED indikatorja goriva na LCD zaslonu utripa.	<ul style="list-style-type: none"> <li>■ Napolnjenost baterije je nizka.</li> </ul>	<ul style="list-style-type: none"> <li>■ Napolnite baterijski sklop.</li> </ul>

**SL**

## GARANCIJA

### GARANCIJSKA POLITIKA DRUŽBE EGO

Obiščite spletno stran [egopowerplus.eu](http://egopowerplus.eu) za popolne pogoje in določila garancijske politike EGO.

## PERSKAITYKITE VISAS INSTRUKCIJAS!



SKAITYTI NAUDOJIMO INSTRUKCIJĄ

**⚠ ĮSPĖJIMAS:** Kad būtų užtikrintas saugumas ir patikimumas, visus remonto darbus turi atlikti kvalifikuotas techninės priežiūros specialistas.

## SAUGOS SIMBOLIAI

Saugos simbolių paskirtis – atkreipti dėmesį į galimus pavojus. Gerai susipažinkite su saugos simboliais bei jų paaiškinimais ir juos įsidėmėkite. Simbolių įspėjimai patys savaime negali apsaugoti nuo pavojų. Jais žymimi nurodymai ir įspėjimai neatstoja tinkamų nelaimingų atsitikimų prevencijos priemonių.

**⚠ ĮSPĖJIMAS:** Prieš pradėdami naudoti šį įrenginį, perskaitykite visus šioje naudojimo instrukcijoje pateiktus saugos nurodymus, įskaitant visus saugos įspėjamuosius simbolius, tokius kaip „PAVOJUS“, „ĮSPĖJIMAS“ ir „DĖMESIO“ bei įsitikinkite, ar viską gerai supratote. Nesilaikant visų toliau išdėstytų nurodymų galima patirti elektros smūgį, sukelti gaisrą ir (ar) sunkiai susižaloti.

## SIMBOLIŲ REIŠMĖ

**⚠ SAUGOS ĮSPĖJAMASIS SIMBOLIS:** Reiškia PAVOJUS, ĮSPĖJIMAS ar DĖMESIO ir gali būti panaudotas su kitais simboliais arba piktogramomis.

## SAUGOS NURODYMAI

Šiame puslapyje pavaizduoti ir aprašyti saugos simboliai, kurie gali būti nurodyti ant šio gaminio. Prieš banddami surinkti ir naudoti įrenginį, perskaitykite visus ant jo pateiktus nurodymus, įsitikinkite, kad juos supratote, ir jais vadovaukitės.



Įspėjimas dėl saugos



Kad sumažintų susižalojimo pavojų, naudotojas privalo perskaityti naudojimo instrukciją.



Dirbdami su šiuo gaminiu visada dėvėkite klausos apsaugos priemones.



Naudodami šį gaminį, visada užsidėkite apsauginius akinius arba apsauginius akinius su šonine apsauga ir visą veidą dengiantį skydelį.



Pašaliniai asmenys turi būti atsitraukę bent 15 m atstumu.



Garantuojamas garso galios lygis. Triukšmo sklaida į aplinką atitinka Europos Bendrijos direktyvą.



Netinkamus naudoti elektrinius įrankius draudžiama išmesti kartu su buitinėmis atliekomis. Pristatyti įgaliotam perdirbėjui.



Šis gaminytis atitinka taikomas EB direktyvas.



Nuolatinė srovė



Įvertinta JK atitiktis



Įdėmiai nežiūrėti į šviečiantį žibintą.



„Bluetooth®“ simbolis

IPX5 Apsauga nuo vandens srovių

kg Kilogramai

B Įtampa

m<sup>3</sup>/h Kubiniai metrai per valandą

°C Celsijaus laipsniai

m/s Metrai per sekundę

N Niutonai

## TECHNINIAI DUOMENYS

Įtampa	56 V
Didžiausias oro tūris	1870 m <sup>3</sup> /val.
Maksimalus oro srauto greitis	85 m/s
Maksimali pūtimo galia	36 N
„Bluetooth“ darbinio dažnio juosta	2400–2438 MHz
„Bluetooth“ maksimali perdavimo galia	5 dBm
Svoris (be sudėtinės baterijos)	9,6 kg
Rekomenduojama darbo temperatūra	Nuo –15 °C iki 40 °C
Rekomenduojama laikymo temperatūra	Nuo –20 °C iki 70 °C
Išmatuotas garso galios lygis L <sub>WA</sub>	96 dB(A) K=1,4 dB(A)
Garso slėgio lygis ties naudotojo ausimi L <sub>PA</sub>	83 dB(A) K=3 dB(A)
Garantuojamas garso galios lygis L <sub>WA</sub> (išmatuotas pagal 2000/14/EB)	98 dB(A)
Vibracija a <sub>n</sub>	0,25 m/s <sup>2</sup> K=1,5 m/s <sup>2</sup>

- Nurodyta bendroji vibracijos vertė išmatuota taikant standartinį bandymo metodą, todėl pagal ją galima palyginti skirtingus įrankius;
- Nurodytą bendrąją vibracijos vertę taip pat galima naudoti pirminiam poveikio vertinimui.

**PASTABA:** Naudojant įrankį realiomis sąlygomis, skleidžiamos vibracijos stiprumo vertė gali skirtis nuo nurodytos. Kad apsaugotų dirbdamas realiomis sąlygomis, naudotojas turi mūvėti pirštines ir naudoti klausos apsaugos priemones.

## PAKUOTĖS TURINIO SĄRAŠAS (A1 PAV.)

### APRAŠYMAS

#### PŪSTUVO DALYS (A1 pav.)

1. Reguliuojamų laikymo diržų komplektas
2. Vertikalus pakabinimo sagtis

3. Kuprinės plokštė
4. Valdymo rankena
5. Smailus antgalis
6. Pūstuvo vamzdis
7. Vamzdžio sąvarža
8. Vamzdis su valdymo rankena
9. Valdymo rankenos sąvarža
10. Silfono sąvarža
11. Silfonas
12. Oro įsiurbimo anga
13. Pagalbinė rankena
14. Elektros kontaktai
15. Fiksatorius
16. Baterijų atjungimo mygtukai
17. Rankena
18. Oro srauto greičio jungiklis
19. Greičio fiksavimo mygtukas
20. LED lemputė
21. LCD ekranas
22. LED lemputės mygtukas
23. TURBO greičio mygtukas
24. Greitojo atjungimo svirtelės
25. „Bluetooth“ indikatorius
26. Įkrovos indikatorius
27. Ventilatoriaus piktograma
28. TURBO indikatorius
29. Oro srauto greičio indikatorius
30. Greičio fiksavimo piktograma
31. Baterijos piktograma

## SURINKIMAS

**⚠️ ĮSPĖJIMAS:** Jei kurios nors dalys pažeistos arba jų nėra, nenaudokite šio gaminio tol, kol tos dalys nebus pakeistos. Naudojant gaminį su pažeistomis dalimis arba kai jų trūksta, galima sunkiai susižaloti.

**⚠️ ĮSPĖJIMAS:** Nebandykite keisti šio gaminio konstrukcijos arba naudoti priedus, kurie nėra rekomenduojami naudoti su šiuo pūstuvu. Visi tokie pakeitimai laikomi netinkamu naudojimu ir gali sukelti pavojingas situacijas, kurių metu galite sunkiai susižaloti.

**⚠️ ĮSPĖJIMAS:** Kad išvengtumėte atsitiktinio įrenginio paleidimo ir galimo sunkaus sužalojimo, surinkdami jo dalis

visada iš jo išimkite baterijas.

## PŪSTUVO VAMZDŽIŲ PRIJUNGIMAS

### Vamzdžio su valdymo rankena prijungimas prie silfono

1. Kad būtų patogų prijungti, paguldyskite pūstuvą laikymo diržais į viršų, kaip parodyta B1 pav.
2. Išsukite du varžtus iš vienos silfono sąvaržos pusės, iš dalies atidarykite sąvaržą, tačiau išitinkinkite, kad silfono krašto auselė yra įstatyta į sąvaržos lizdą (B2 pav.).
3. Kiškite galinį vamzdžio su valdymo rankena galinę dalį į silfoną, kol jos galinis paviršius atsirems į silfono sąvaržos galinį paviršių (B3 pav.).
4. Tinkamai prijungus vamzdį su valdymo rankena prie silfono, silfono sąvaržą galima visiškai uždaryti. Tvirtai priveržkite silfono sąvaržos varžtus (B4 pav.).

B1-1	Laikymo diržai	B1-2	Silfonas
B2-1	Varžtai	B2-2	Plyšys
B2-3	Auselė	B2-4	Silfono sąvaržą
B3-1	Vamzdis su valdymo rankena	B3-2	Galinė dalis
B3-3	Galinės dalies paviršius	B3-4	Silfono sąvaržos galinis paviršius

### Pūstuvo vamzdžio prijungimas prie vamzdžio su valdymo rankena

LT

1. Atlaisvinkite ir nuimkite greito atjungimo svirtį ir sparnuotąją veržlę nuo vamzdžio sąvaržos ant pūstuvo vamzdžio (C1 pav.).
2. Įtaikykite pūstuvo vamzdžio griovelį į vamzdžio su valdymo rankena iškyšą ir iki galo užmaukite pūstuvo vamzdį ant vamzdžio su valdymo rankena (C2 pav.).
3. Įkiškite greitojo atjungimo svirtelės kaištį ir prispauskite svirtį prie vamzdžio sąvaržos (C3 pav.).
4. Užveržkite sparnuotąją veržlę, užspausdami vamzdžio sąvaržą (C4 pav.).

C1-1	Pūstuvo vamzdis	C1-2	Vamzdžio sąvaržą
C1-3	Greitojo atjungimo svirtelė	C1-4	Sparnuotoji veržlė
C2-1	Pūstuvo vamzdžio griovelis	C2-2	Vamzdžio su valdymo rankena briauna

### Smailaus antgalio prijungimas prie pūstuvo vamzdžio

1. Įtaikykite antgalio griovelį į vamzdžio fiksatorių. Stumkite antgalį ant vamzdžio, kol jis tvirtai užsifiksuos (D1 pav.).
2. **Kai antgalį norite nuimti**, paspauskite ir laikykite nuspaudę antgalio atjungimo mygtuką, kad atjungtumėte fiksatorių, ir nutraukite antgalį nuo pūstuvo vamzdžio (D2 pav.).

D1-1	Antgalio atleidimo mygtukas	D1-2	Fiksatorius
------	-----------------------------	------	-------------

## NAUDOJIMAS

**⚠️ ĮSPĖJIMAS:** Mokėjimas naudotis šiuo gaminiu nesuteikia teisės dirbti nerūpestingai. Atminkite, kad net akimirksniui atitraukę dėmesį galite sunkiai susižaloti.

**⚠️ ĮSPĖJIMAS:** Nenaudokite jokių papildomų įtaisų ar priedų, kurių nerekomendavo šio įrankio gamintojas. Naudojant nerekomenduojamus papildomus įtaisus arba priedus, galima sunkiai susižaloti.

**⚠️ ĮSPĖJIMAS:** Visada išimkite baterijas iš gaminio, kai montuojate dalis, reguliuojate, valote arba gaminio nenaudojate. Išėmę baterijas išvengsite atsitiktinio paleidimo, kuris gali sunkiai sužaloti.

Kaskart prieš naudodami gaminį visą jį patikrinkite, ar nesugadintas, ar netrūksta dalių, pavyzdžiui, sraigčių, veržlių, varžtų, dangtelių ir t. t., ar jos neatsilaisvinę. Patikimai priveržkite visas tvirtinimo detales ir dangtelius ir nenaudokite šio gaminio, kol nepakeisite visų trūkstamų ar sugadintų dalių.

## PASKIRTIS

Galite naudoti šį gaminį toliau išvardytais tikslais:

- Lapų ir įvairių kiemo šiukšlių valymas nuo vejų ir mulčiuotų lysvių.
- Kietiems paviršiams, pvz., įvažiavims ir takams, valyti.
- lapams bei pušų spygliams pašalinti nuo aikštelių ir įvažiavimų.

**PASTABA:** Įrankį galima naudoti tik pagal numatytąją paskirtį. Bet koks kitas naudojimas laikomas netinkamu.

## SUDĖTINĖS BATERIJOS ĮSTATYMAS IR IŠĖMIMAS

Naudokite tik A2 pav. pateiktas EGO sudėtines baterijas ir įkroviklius.



Daugiau informacijos rasite atitinkamuose sudėtinių baterijų ir įkroviklių vadovuose.

### Visiškai įkraukite bateriją prieš naudodami pirmą kartą.

**PASTABA:** Kad pūstuvus tinkamai veiktų, rekomenduojame naudoti EGO 56 V sudėtinę bateriją BA3360T (6,0 Ah) arba kitas didesnės talpos EGO 56 V sudėtines baterijas.

Pūstuve įrengti du baterijų lizdai kairėje ir dešinėje baterijų bloko korpuso pusėse.

**PASTABA:** Pūstuvus gali veikti su viena arba dviem baterijomis. Naudodami dvi baterijas galite ilgiau ir efektyviau dirbti, naudodami „PEAK POWER™“ technologijos valdomą energiją.

Kai baterijos įstatomos į atitinkamus baterijų lizdus, ant kuprinės plokštės pažymėtus 1 arba 2, ir įjungiamas pūstuvus, LCD ekrane užsideda atitinkamos baterijos piktograma (E1 pav.).

### Įstatymas (E2 pav.)

Įtaikykite baterijos iškyšas į tvirtinimo angas ir spauskite sudėtinę bateriją žemyn, kol išgirsite spragtelėjimą. Prijunkite kitą bateriją.

### Išėmimas

Nuspauskite baterijos atjungimo mygtuką ir išimkite bateriją.

**⚠️ ĮSPĖJIMAS:** Prieš paspausdami baterijos atjungimo mygtuką, visada atkreipkite dėmesį į savo kojas, vaikų ir augintinių buvimą vieta. Iškritusi baterija gali sunkiai sužaloti. NIEKADA nebandykite išimti baterijos, kai įrankis aukštai pakeltas.

E1-1	Baterijos lizdų numeris	E1-2	LCD ekranas
E1-3	Baterijos piktograma	E2-1	Baterijos briauna
E2-2	Tvirtinimo griovelis	E2-3	Baterijos atjungimo mygtukas

### PŪSTUVO UŽSIDĖJIMAS ANT NUGAROS

**⚠️ ĮSPĖJIMAS:** Dirbdami su šiuo įrenginiu tinkamai apsirenkite, kad sumažintumėte traumų pavojų. Nedėvėkite laisvų drabužių ir nenešiokite laisvai kabančių papuošalų. Būkite užsidėję akių ir ausų / klausos organų apsaugos priemonės. Mūvėkite tvirtos medžiagos ilgas kelnes ir pirštines, avėkite tinkamus batus. Nedėvėkite trumpų

kelnių, sandalų bei nedirbkite basomis.

Prieš naudodami ant nugaros nešiojamą pūstuvą patikrinkite, ar operatorius dėvi apsauginius akinius, dėvi tinkamus drabužius ir gali saugiai ir subalansuotai stovėti.

### Laikymo diržų reguliavimas

1. Patraukite abu kuprinės plokštės diržus ir įsitikinkite, kad jie patikimai pritvirtinti prie kuprinės plokštės (F1 pav.).
2. Jei reikia, sureguliuokite nugaros pagalvėles ir juosmens pagalvėlę, kad būtų patogiau.
  - Atlaisvinkite pečių diržus, nuplėškite užpakalines pagalvėles nuo lipukų ir perkelkite pagalvėles į norimą padėtį; po to patraukite pečių diržus, kad prispaustumėte pagalvėles prie kuprinės (F2 pav.).

**PASTABA:** Ant galinių pagalvėlių esančios horizontalios linijos padeda abi pagalvėles nustatyti į tą patį lygį.

- Nuplėškite juosmens pagalvėlę nuo lipukų ir perkelkite į norimą padėtį (F3 pav.).
3. Prakiškite rankas pro pečių diržus, kad prilaikytumėte pūstuvą ant nugaros. Laikinais sureguliuokite krūtinės diržus į patogią padėtį ir įsitikinkite, kad dešinės rankos alkūnė yra patogioje padėtyje, kai laikote valdymo rankeną (F4 pav.).
  4. Užfiksukite juosmens sagtį ir sureguliuokite juosmens diržų ilgį taip, kad diržai patikimai laikytųsi ant jūsų juosmens. Jei juosmens sagtį užsegti sunku, sureguliuokite šoninius diržus abiejose pusėse, kad užsegti būtų lengviau (F5 pav.).

**PASTABA:** Kuprinė neturi būti per aukštai ant nugaros; ją reikia nuleisti arčiau klubų, nei pečių.

**⚠️ ĮSPĖJIMAS:** Ištikus nelaimei, nedelsdami atsekite juosmens sagtį, kad nusiimtumėte diržus. Tai greito atlaisvinimo būdas.

5. Pakartotinai sureguliuokite krūtinės diržus, kad būtų saugu ir patogiu. Įsitikinkite, kad kuprinė tvirtai remiasi į jūsų nugarą, jos svorį palaiko juosmens diržas ir jums judant pūstuvus beveik nejuda ant jūsų nugaros (F6 pav.).
6. Laisvus juosmens diržo galus įkiškite į tamprias kilpas (F7 pav.).
7. Saugiam darbui užtikrinti pritvirtintos kelios šviesa atspindinčios juostelės. Darbo metu neuždenkite šviesą atspindinčių juostelių (F8 pav.).
8. **Norėdami atkabinti diržus nuo nugaros,** paspauskite juosmens sagtį, kad ji atsisegtų, ir nuleiskite pūstuvą (F9 pav.).

LT

F1-1	Diržai	F1-2	Kuprinės plokštė
F2-1	Pečių diržai	F2-2	Horizontalios linijos
F3-1	Nugaros pagalvėlė	F4-1	Krūtinės diržai
F5-1	Juosmens diržai	F5-2	Juosmens diržo sagtis
F5-3	Šoniniai diržai	F7-1	Tamprios kilpos
F7-2	Papildomas diržo ilgis	F8-1	Šviesą atspindinčios juostelės

## Valdymo rankenos reguliavimas

1. Atleiskite greitojo atjungimo svirtelę, kad valdymo rankeną prireikus galėtumėte pastumti į priekį arba atgal (G1 ir G2 pav.), o po to svirtelę uždarykite, užfiksuodami valdymo rankeną reikiamoje vietoje.
2. Kad būtų patogiau, rankeną galite pasukti į norimą padėtį (G3 pav.).

G1-1	Valdymo rankena	G1-2	Greitojo atjungimo svirtelė
------	-----------------	------	-----------------------------

## Vamzdžio su valdymo rankena ilgio reguliavimas (H1, H2 pav.)

1. Atleiskite greitojo atjungimo svirtelę (H1 pav.).
2. Nustatykite pūstuvo vamzdį į patogią darbinę padėtį reguliavimo zonos ribose (H2 pav.).
3. Uždarykite greitojo atjungimo svirtelę, užfiksuodami pūstuvo vamzdį reikiamoje vietoje (H2 pav.).

H1-1	Greitojo atjungimo svirtelė	H2-1	Pūstuvo vamzdis
H2-2	Reguliavimo zona		

## PŪSTUVO PALEIDIMAS IR IŠJUNGIMAS

**PASTABA:** Pūstuvo gali nepavykti tinkamai paleisti, jei jo ar sudėtinės baterijos temperatūra nukritusi žemiau –15 °C. Tokiu atveju išimkite iš pūstuvo sudėtinę bateriją ir palaikykite įrenginį bei bateriją patalpoje bent 10 minučių, kad atšiltų. Vėl įstatykite sudėtinę bateriją ir bandykite paleisti dar kartą.

### Oro srauto greičio jungiklis (I1 ir I2 pav.)

- Paspauskite oro srauto greičio jungiklį, kad įjungtumėte įrenginį: tuomet LCD ekrane pasirodys įkrovos indikatorius, baterijos piktograma ir oro greičio indikatorius.

**PASTABA:** Kai baterijos įkrova nukrenta, 1 LED indikatorius įkrovos matuoklio žiede LCD ekrane pradeda mirksėti.

- Pūstuvo pučiamo oro srauto greitis valdomas greičio reguliavimo jungikliu. Jungiklį stipriau spaudžiant, srauto greitis didėja, o silpniau spaudžiant – mažėja. Nustatykite savo užduočiai tinkamą greitį. LCD ekrane bus rodoma atitinkama oro srauto greičio piktograma.
- Atleiskite oro srauto greičio jungiklį ir pūstuvą išjungsite. LCD ekranas išsijungs per tam tikrą laiką po to, kai atleisite jungiklį.

**PASTABA:** Jei naudojama mažesnės nei 4 Ah talpos sudėtinė baterija, oro greitis ribojamas tik iki dviejų piktogramos juostų.

### TURBO režimas

Kol oro greičio jungiklis yra nuspauostas ir laikomas, paspauskite „Turbo“ mygtuką, kad padidintumėte oro srauto greitį iki didžiausio (I1 pav.). LCD ekrane užsidega TURBO indikatorius ir ventilatoriaus piktograma (I3 pav.).

**PASTABA:** Atleisus TURBO mygtuką, atkuriamas prieš tai naudotas pūstuvo pūtimo greitis.

### Greičio fiksavimo režimas

Greičio fiksavimo režimu galima nepertraukiamai dirbti nespaudžiant oro srauto greičio jungiklio.

1. Spauskite oro srauto greičio jungiklį, kol pasieksite norimą greitį (I1 pav.).
2. Paspauskite greičio fiksavimo mygtuką. LCD ekrane užsidega greičio fiksavimo piktograma (I4 pav.).
3. Atleiskite oro srauto greičio jungiklį ir pūstuvą toliau veiks „fiksuoju“ greičiu.

**PASTABA:** Paspaudus TURBO greičio mygtuką, kai veikia greičio fiksavimo režimas, galima užfiksuoti maksimalų oro srauto greitį. Dar kartą paspaudus TURBO greičio mygtuką, pūstuvą vėl pradės veikti anksčiau nustatytu greičiu.

4. **Norėdami atlaisvinti greičio fiksatorių**, dar kartą paspauskite greičio fiksavimo mygtuką. Greičio fiksavimo piktograma išnyks iš LCD ekrano ir pūstuvą išsijungs.

I1-1	TURBO greičio mygtukas	I1-2	Greičio fiksavimo mygtukas
I1-3	Oro srauto greičio jungiklis	I2-1	Įkrovos indikatorius
I2-2	Oro srauto greičio indikatorius	I2-3	Baterijos piktograma

I3-1	Ventiliatoriaus piktograma	I3-2	TURBO indikatorius
I4-1	Greičio fiksavimo piktograma		

### LED lemputė (J pav.)

LED lemputė yra valdymo rankenos priekyje. Ji užtikrina geresnį matomumą.

Vieną kartą paspauskite LED lemputės mygtuką, kad įjungtumėte šviesą, ir dar kartą paspauskite, kad išjungtumėte. Ji taip pat išsijungs automatiškai maždaug po 5 minučių, kai pūstuvus neveikia.

J-1	LED lemputės mygtukas	J-2	LED lemputė
-----	-----------------------	-----	-------------

### RYŠIO TECHNOLOGIJA

Norėdami sužinoti informacijos apie visus mūsų prijungiamuosius gaminius ir paslaugas, įskaitant prijungimo instrukcijas, nuskaitykite toliau pateiktą QR kodą arba apsilankykite svetainėje

[www.egopowerplus.eu/connect](http://www.egopowerplus.eu/connect)



### PŪSTUVO NAUDOJIMO PATARIMAI

- Kad neišsklaidytumėte šiukšlių, pūskite palei šiukšlių krūvos išorinius kraštus. Niekada nepūskite tiesiai į šiukšlių krūvos vidurį.
- Norėdami sumažinti triukšmo lygį, tuo pat metu naudokite mažiau įrenginių.
- Prieš pūsdami šiukšles, pasklaidykite jas grėbliu arba šluota. Jei įmanoma, dulkečioje aplinkoje šiek tiek sudrėkinkite paviršius vandeniu.
- Būkite atsargūs, kai netoliese yra vaikų, naminių gyvūnų, atvirų langų arba ką tik nuplautų automobilių, ir šiukšles atsargiai nupūskite į šalį.
- Panaudoję pūstuvą arba kitą įrangą, ją nuvalykite! Šiukšles tinkamai išmeskite.

### TECHNINĖ PRIEŽIŪRA

**⚠️ ĮSPĖJIMAS:** Vykdydami techninės priežiūros darbus, naudokite tik identiškas atsargines dalis. Naudojant bet

kokias kitas dalis, gali kilti pavojus arba sugesti gaminys. Kad būtų užtikrintas saugumas ir patikimumas, visus remonto darbus turi atlikti kvalifikuotas techninės priežiūros specialistas.

**⚠️ ĮSPĖJIMAS:** Visada išimkite bateriją iš gaminio prieš jį valydami arba prieš vykdydami jo techninės priežiūros darbus, kad išvengtumėte pavojaus sunkiai susižaloti.

### BENDROJI PRIEŽIŪRA

Plastikinių dalių nevalykite tirpikliais. Įvairūs komerciniai tirpikliai gali pažeisti įvairių tipų plastiką ir jų naudoti nerekomenduojama. Purva, dulkes, alyvą, tepalą ir pan. nuvalykite švaria šluoste.

**⚠️ ĮSPĖJIMAS:** Saugokite plastikinės dalis, kad ant jų nepatektų stabdžių skysčiai, benzinas, naftos produktai, skvarbi alyva ir pan. Cheminės medžiagos plastiką gali sugadinti, susilpninti arba suardyti. Dėl to galite sunkiai susižaloti.

**⚠️ ĮSPĖJIMAS:** Kad sumažintumėte gaisro, sužalojimo ir gaminio sugadinimo dėl trumpojo jungimo pavojų, niekada nemerkitė įrenginio, sudėtinės baterijos ar įkroviklio į skystį ir neleiskite skysčiui tekėti į jų vidų. Ėsdinantys arba laidūs skysčiai, pavyzdžiui, jūros vanduo, kai kurios pramoninės cheminės medžiagos, balikliai arba gaminiai su jais ir pan., gali sukelti trumpąjį jungimą.

### LAIKYMAS

- Išimkite iš pūstuvo sudėtinę bateriją.
- Nuvalykite visas pašalines medžiagas nuo pūstuve esančių oro įsiurbimo angų.
- Užfiksuokite vertikalaus pakabinimo sagtį, kad užkabintumėte pūstuvą vamzdį ant baterijos lizdo korpuso (K pav.).
- Laikykite uždaroje patalpoje, vaikams neprieinamoje vietoje. Laikykite toliau nuo ėsdinančių medžiagų, pvz., sodo chemikalų ir druskų ledui tirpdyti.

K-1	Vertikalaus pakabinimo sagtis
-----	-------------------------------

### APLINKOS APSAUGA



Neišmeskite elektros įrangos, panaudotų baterijų ir įkroviklio kartu su buitinėmis atliekomis! Šias atliekas reikia pristatyti į jų surinkimo vietą ar įgaliotam perdirbėjui. Elektrinius įrenginius reikia pristatyti į tokią atliekų perdirbimo įmonę.

LT

## TRIKČIŲ ŠALINIMAS

PROBLEMA	PRIEŽASTIS	SPRENDIMAS
Pūstuvus neveikia.	<ul style="list-style-type: none"> <li>■ Sudėtinė baterija neprijungta prie pūstuvo.</li> <li>■ Nėra elektrinio kontakto tarp pūstuvo ir baterijos.</li> <li>■ Sudėtinė baterija visiškai išsikrovusi.</li> <li>■ Sudėtinė baterija arba pūstuvus pernelyg įkaitę.</li> <li>■ Sugadintas oro srauto greičio jungiklis.</li> <li>■ Sudėtinė baterija arba pūstuvus pernelyg atšalę.</li> </ul>	<ul style="list-style-type: none"> <li>■ Prijunkite sudėtinę bateriją prie pūstuvo.</li> <li>■ Išimkite sudėtinę bateriją, patikrinkite kontaktus ir vėl ją įstatykite.</li> <li>■ Įkraukite sudėtinę bateriją.</li> <li>■ Atvėsinkite sudėtinę bateriją ir pūstuvą, kad jų temperatūra nukristų žemiau 67 °C.</li> <li>■ Kreipkitės į EGO klientų aptarnavimo tarnybą dėl remonto.</li> <li>■ Išimkite sudėtinę bateriją ir leiskite baterijai bei pūstuvui patalpoje sušilti. Rekomenduojama visiškai įkrauti sudėtinę bateriją ir paleisti pūstuvą mažu greičiu, neįjungiant „Turbo“ režimo.</li> </ul>
Kai nuspaudžiamas oro srauto greičio jungiklis, LCD ekrane rodomos tik dvi apatinės oro srauto greičio piktogramos.	<ul style="list-style-type: none"> <li>■ Naudojama mažos Ah talpos sudėtinė baterija.</li> </ul>	<ul style="list-style-type: none"> <li>■ Naudokite 4,0 Ah arba didesnės talpos sudėtinės baterijas.</li> </ul>
Greičio fiksavimo režimo įjungti arba išjungti negalima.	<ul style="list-style-type: none"> <li>■ Sugadintas greičio fiksavimo mygtukas.</li> </ul>	<ul style="list-style-type: none"> <li>■ Kreipkitės į EGO klientų aptarnavimo tarnybą dėl remonto.</li> </ul>
Oro srauto greitis pastebimai sumažėja.	<ul style="list-style-type: none"> <li>■ Per maža baterijos įkrova.</li> <li>■ Per didelis variklio ventiliatoriaus nusidėvėjimas.</li> <li>■ Šiukšlės užkimšo oro įsiurbimo angą.</li> </ul>	<ul style="list-style-type: none"> <li>■ Įkraukite sudėtinę bateriją.</li> <li>■ Dėl remonto kreipkitės į EGO techninės priežiūros centrą.</li> <li>■ Išimkite sudėtinę bateriją ir išvalykite šiukšles.</li> </ul>
LCD ekranas neveikia tinkamai.	<ul style="list-style-type: none"> <li>■ Pažeistas LCD ekranas arba laidų jungtis.</li> </ul>	<ul style="list-style-type: none"> <li>■ Dėl remonto kreipkitės į EGO techninės priežiūros centrą.</li> </ul>
LCD ekrane įkrovos matuoklio žiede mirksi 1 LED indikatorius.	<ul style="list-style-type: none"> <li>■ Per maža baterijos įkrova.</li> </ul>	<ul style="list-style-type: none"> <li>■ Įkraukite sudėtinę bateriją.</li> </ul>

LT

## GARANTIJA

### EGO GARANTIJOS TAISYKLĖS

Norėdami sužinoti visas EGO garantijos sąlygas ir nuostatas, apsilankykite interneto svetainėje adresu [egopowerplus.eu](http://egopowerplus.eu).

## IZLASIET VISAS INSTRUKCIJAS!



### IZLASIET EKSPLOATĀCIJAS ROKASGRĀMATU

**⚠ BRĪDINĀJUMS:** Lai garantētu drošu un uzticamu izstrādājuma darbību, visi remontdarbi jāveic kvalificētam servisa speciālistam.

## DROŠĪBAS APZĪMĒJUMI

Drošības apzīmējumi ir paredzēti, lai pievērstu jūsu uzmanību iespējamām apdraudējumiem. Pievērsiet uzmanību drošības apzīmējumiem un to skaidrojumiem un izprotiet tos. Brīdinājumu apzīmējumi paši par sevi nenovērš apdraudējumu. Tajos ietvertie norādījumi un brīdinājumi neaizstāj atbilstošu negadījumu novēršanas pasākumu īstenošanu.

**⚠ BRĪDINĀJUMS:** Pirms šīs iekārtas lietošanas izlasiet un izprotiet visus šajā lietotāja rokasgrāmatā iekļautos drošības norādījumus, tostarp visus drošības brīdinājuma apzīmējumus, piemēram, „**BĪSTAMI**”, „**BRĪDINĀJUMS**” un „**UZMANĪBU**”. Visu turpmāk uzskaitīto norādījumu neievērošana var izraisīt elektriskās strāvas triecienu, aizdegšanos un/ vai smagus miesas bojājumus.

## SIMBOLA NOZĪME

**⚠ DROŠĪBAS BRĪDINĀJUMA APZĪMĒJUMS:** Norāda signālvārdu **BĪSTAMI**, **BRĪDINĀJUMS** vai **UZMANĪBU**, var būt norādīts kopā ar citiem apzīmējumiem vai piktogrammām.

## DROŠĪBAS NORĀDĪJUMI

Šajā lapaspusē ir parādīti un aprakstīti drošības apzīmējumi, kas var būt norādīti uz šī izstrādājuma. Pirms instrumenta salikšanas un lietošanas izlasiet, izprotiet un ievērojiet visus norādījumus par instrumentu.



Drošības brīdinājums



Strādājot ar šo instrumentu, vienmēr izmantojiet dzirdes aizsarglīdzekļus.



Raugieties, lai vismaz 15 m attālumā neviena nebūtu.



Elektrisko izstrādājumu atkritumus nedrīkst izmest kopā ar sadzīves atkritumiem.  
Nogādāt uz pilnvarotu pārstrādes punktu.



Līdzstrāva



Neskatieties tieši darba lampā.

IPX5

Aizsardzība pret ūdens strūkļām

B

Spriegums

°C

Celsijs

N

Ņūtons



Lai mazinātu traumu gūšanas bīstamību, lietotājam jāizlasa lietotāja rokasgrāmata.



Šī izstrādājuma darbināšanas laikā vienmēr valkājiet aizsargbrilles vai aizsargbrilles ar sānu aizsargiem un pilnu sejas aizsargmasku.



Garantētais skaņas intensitātes līmenis.  
Trokšņa emisija vidē atbilstoši Eiropas Kopienas direktīvai.



Šis izstrādājums atbilst piemērojamām EK direktīvām.



Apvienotās Karalistes atbilstības novērtējums



Bluetooth® simbols

kg

Kilograms

m<sup>3</sup>/h


Kubikmetrī stundā

m/s

Metrus sekundē

LV

## SPECIFIKĀCIJAS

Spriegums	56 V 
Maksimālais gaisa daudzums	1870 m <sup>3</sup> /h
Maksimālais gaisa plūsmas ātrums	85 m/s
Maksimālais pūšanas spēks	36 N
Bluetooth darbības frekvenču josla	2400-2438 MHz
Bluetooth maksimālā pārraides jauda	5 dBm
Svars (bez akumulatoru bloka)	9,6 kg
Ieteicamā darba temperatūra	-15 °C līdz 40 °C
Ieteicamā uzglabāšanas temperatūra	-20 °C līdz 70 °C
Izmērītais skaņas intensitātes līmenis L <sub>WA</sub>	96 dB(A) K=1,4 dB(A)
Trokšņa spiediena līmenis pie lietotāja auss L <sub>PA</sub>	83 dB(A) K=3 dB(A)
Garantētais skaņas intensitātes līmenis L <sub>WA</sub> (mērīts saskaņā ar 2000/14/EK)	98 dB(A)
Vibrācija a <sub>h</sub>	0,25 m/s <sup>2</sup> K=1,5 m/s <sup>2</sup>

### LV

- Norādītā vibrāciju kopējā vērtība ir izmērīta saskaņā ar standarta pārbaudes metodi un var tikt izmantota, lai salīdzinātu vairākus instrumentus.
- Deklarēto vibrāciju emisijas vērtību var arī lietot iepriekšējai vibrāciju iedarbības novērtēšanai.

**PIEZĪME:** Vibrāciju emisijas faktiskajā elektroinstrumenta darbināšanas laikā var atšķirties no norādītās vērtības. Lai pasargātu operatoru, lietotājam jāvalkā cimdi un dzirdes aizsarglīdzekļi atbilstoši faktiskajiem darba apstākļiem.

## IĒPAKOJUMA SATURA SARAKSTS (A1 ATTĒLS)

### APRAKSTS

#### IĒPAZĪSTIET SAVU PŪTĒJU (A1 attēls)

1. Regulējams atbalsta stiprinājums
2. Vertikālās glabāšanas sprādze

3. Mugursomas tipa plāksne
4. Vadības rokturis
5. Konusveida uzgalis
6. Pūtēja caurule
7. Caurules skava
8. Vadības roktura caurule
9. Vadības roktura skava
10. Silfona skava
11. Silfons
12. Gaisa iepļūde
13. Palīgrokturis
14. Elektriskie kontakti
15. Fiksators
16. Akumulatora atbrīvošanas pogas
17. Rokturis
18. Gaisa pūšanas ātruma pārslēgs
19. Ātruma bloķēšanas poga
20. LED apgaismojums
21. LCD ekrāns
22. LED apgaismojuma poga
23. Turbo poga
24. Ātrās atbrīvošanas sviras
25. Bluetooth indikators
26. Degvielas mērītājs
27. Ventilatora ikona
28. Turbo indikators
29. Gaisa pūšanas ātruma indikators
30. Ātruma bloķēšanas ikona
31. Akumulatoru ikona

## MONTĀŽA

**⚠ BRĪDINĀJUMS:** Ja kāda daļa ir bojāta vai trūkst, nedarbiniet šo izstrādājumu, kamēr nav nomainīta bojātā daļa. Darbinot šo izstrādājumu ar bojātām vai trūkstošām daļām, varat gūt smagus miesas bojājumus.

**⚠ BRĪDINĀJUMS:** Nemēģiniet pārveidot šo ierīci vai izveidot piederumus, kas nav ieteicami lietošanai kopā ar šo pūtēju. Jebkādi šādi uzlabojumi vai pārveidojumi ir uzskatāmi par neatbilstošiem lietošanai un var radīt bīstamus apstākļus, kas var izraisīt nopietnus ievainojumus.

**⚠ BRĪDINĀJUMS:** Lai nepieļautu nejaušu instrumenta

ieslēgšanas, kas var radīt smagas traumas, to saliekot, vienmēr izņemiet no instrumenta akumulatoru bloku.

## PŪTĒJA CAURUĻU MONTĀŽA

### Vadības roktura caurules pievienošana silfonam

1. Ērtākai montāžai novietojiet pūtēju ar atbalsta stiprinājumu uz augšu, kā parādīts B1 attēlā.
2. Atskrūvējiet un izņemiet divas skrūves no vienas silfona skavas puses, daļēji atveriet silfona skavu, bet pārliecinieties, ka silfona malas izvirkjums ir pilnībā ievietots skavas rievā (B2 attēls).
3. Ievietojiet vadības roktura caurules aizmugurējo galu silfonā, līdz aizmugurējā gala virsma saskaras ar silfona skavas gala virsmu (B3 attēls).
4. Ja vadības roktura caurule ir pareizi savienota ar silfonu, silfona skavu var pilnībā aizvērt. Droši pievelciet silfona skavas skrūves (B4 attēls).

B1-1	Atbalsta stiprinājums	B1-2	Silfons
B2-1	Skrūves	B2-2	Rieva
B2-3	Izvirkjums	B2-4	Silfona skava
B3-1	Vadības roktura caurule	B3-2	Aizmugurējais gals
B3-3	Aizmugurējā gala virsma	B3-4	Silfona skavas gala virsma

### Pūtēja caurules pievienošana vadības roktura caurulei

1. Atskrūvējiet un noņemiet ātrās atbrīvošanas sviru un spārnuzgriezni no caurules skavas, kas piestiprināta pie pūtēja caurules (C1 attēls).
2. Savienojiet pūtēja caurules rievu ar vadības roktura caurules izcilni, uzbīdīet pūtēja cauruli uz vadības roktura caurules, cik vien tālu iespējams (C2 attēls).
3. Ievietojiet ātrās atbrīvošanas sviras tapu un aizveriet sviru uz caurules skavas (C3 attēls).
4. Pievelciet spārnuzgriezni, lai nostiprinātu caurules skavu (C4 attēls).

C1-1	Pūtēja caurule	C1-2	Caurules skava
C1-3	Ātrās atbrīvošanas svira	C1-4	Spārnuzgrieznis
C2-1	Pūtēja caurules grope	C2-2	Vadības roktura caurules rieva

### Konusveida uzgaļa savienošana ar pūtēja cauruli

1. Savienojiet uzgaļa gropi ar caurules fiksatoru. Uzlieciet uzgali uz caurules un piespiediet, līdz tas stingri nofiksējas (D1 attēls).
2. **Lai noņemtu uzgali**, nospiediet un pieturiet uzgaļa atbrīvošanas pogu, lai atbrīvotu fiksatoru, un pēc tam noņemiet uzgali no pūtēja caurules, to pavelkot (D2 attēls).

D1-1	Uzgaļa atbrīvošanas poga	D1-2	Fiksators
------	--------------------------	------	-----------

## EKSPLUATĀCIJA

**⚠ BRĪDINĀJUMS:** Saglabājiet modrību visu izstrādājuma lietošanas laiku. Neaizmirstiet, ka pat mirkli neuzmanības var izraisīt nopietnu traumu.

**⚠ BRĪDINĀJUMS:** Nelietojiet palīgierīces vai piederumus, ko nav ieteicis šī izstrādājuma ražotājs. Šādu neapstiprinātu palīgierīču vai piederumu lietošana var radīt nopietnus ievainojumus.

**⚠ BRĪDINĀJUMS:** Vienmēr izņemiet akumulatorus no instrumenta, kad montējat daļas, noregulējat, tīrāt vai tad, kad instrumentus netiek lietoti. Akumulatoru izņemšana ļaus izvairīties no nejaušas iedarbināšanas, kas varētu izraisīt nopietnus savainojumus.

Pirms katras lietošanas reizes pārbaudiet visu ierīci, vai tā nav bojāta, vai tai netrūkst kādas detaļas vai arī tā nav atskrūvējusies, piemēram, skrūves, uzgriežņi, bultskrūves, vāciņi utt. Stingri pievelciet visus stiprinājumus un vāciņus un nedarbiniet produktu, kamēr nav noņemtas visas trūkstošās vai bojātās daļas.

### LIETOJUMS

Šo izstrādājumu var lietot tālāk norādītajiem mērķiem:

- lapu un dažādu pagalma grūžu tīrīšanai no zālājiem un mulčas dobēm;
- cietu virsmu attīrīšanai, piemēram, piebraucamajiem ceļiem un gājēju celiņiem;
- celiņu un piebraucamo ceļu attīrīšanai no lapām un skujām.

**PIEZĪME:** Instrumentu drīkst izmantot tikai aprakstītajam mērķim. Izmantošana jebkādā citā veidā ir uzskatāma par neatbilstošu.

### AKUMULATORU BLOKA IEVIETOŠANA/IZNĒMŠANA

Izmantojiet kopā tikai ar A2 attēlā norādītajiem EGO

akumulatoru blokiem un lādētājiem.

Sīkāku informāciju izlasiet attiecīgā akumulatoru bloka un lādētāju rokasgrāmatā.

## Pirms pirmās lietošanas reizes akumulators ir pilnībā jāuzlādē.

**PIEZĪME:** Lai nodrošinātu vislabāko veiktspēju, mēs iesakām izmantot EGO 56V akumulatoru bloku BA3360T (6,0 Ah) vai citus EGO 56V akumulatoru blokus ar lielāku Ah nominālo vērtību.

Pūtējam ir divas aktīvas akumulatora pieslēgvietas, kas atrodas akumulatora pieslēgvietas korpusa kreisajā un labajā pusē.

**PIEZĪME:** Pūtējs var darboties ar vienu vai diviem akumulatoriem. Divu akumulatoru izmantošana nodrošina ilgāku darbības laiku un efektīvu enerģijas patēriņu, ko nodrošina tehnoloģija PEAK POWER™.

Kad akumulatoru bloki ir ievietoti atbilstošajās akumulatoru pieslēgvietās, kas uz mugursomas tipa plāksnes ir atzīmētas ar 1 vai 2, un tiek ieslēgts pūtējs, LCD ekrānā izgaismosies atbilstošā akumulatora ikona (E1 attēls).

## Ievietošana (E2 attēls)

Novietojiet akumulatora valnišus iepretim ievietošanas rievām un piespiediet akumulatoru bloku, līdz dzirdat „klikšķa” skaņu. Ievietojiet otru akumulatoru.

## Izņemšana

Nospiediet akumulatora atbrīvošanas pogu un izņemiet akumulatoru bloku.

**⚠ BRĪDINĀJUMS:** Vienmēr pārbaudiet, kāds ir pamats zem kājām un vai tuvumā neatrodas bērni vai dzīvnieki, kad nospiežat akumulatora atbrīvošanas pogu. Zemē nokritis akumulators var izraisīt smagas traumas. NEKAD neizņemiet akumulatoru, kamēr atrodieties augstumā.

E1-1	Akumulatora pieslēgvietu skaits	E1-2	LCD ekrāns
E1-3	Akumulatoru ikona	E2-1	Akumulatora izcilnis
E2-2	Stiprinājuma rieva	E2-3	Akumulatora atbrīvošanas poga

## MUGURSOMAS TIPĀ PŪTĒJA NOVIETOŠANA

**⚠ BRĪDINĀJUMS:** Gērbieties atbilstīgi, lai mazinātu traumu rašanās draudus, lietojot šo iekārtu. Nevalkājiet vajīgu apģērbu vai rotaslietas. Izmantojiet acu un dzirdes aizsarglīdzekļus. Valkājiet izturīgas, garas bikses, apavus un cimdus. Nevalkājiet tsās bikses, sandales; neejiet

basām kājām.

Pirms mugursomas tipa pūtēja lietošanas pārliecinieties, ka operators ir lietojis acu aizsarglīdzekļus un atbilstošu apģērbu un var droši un līdzsvaroti nostāties uz zemes.

## Atbalsta stiprinājuma regulēšana

1. Pavelciet abas mugursomas tipa plāksnes siksnas, lai pārliecinātos, ka atbalsta stiprinājums ir droši piestiprināts pie mugursomas tipa plāksnes (F1 attēls).
2. Vajadzības gadījumā pielāgojiet muguras polsterus un jostasvietas polsterus savam komfortam.

■ Atbrīvojiet plecu siksnas, noņemiet aizmugurējos polsterus no Velcro un novietojiet polsterus vēlamajā pozīcijā, pēc tam pavelciet plecu siksnas, lai nostiprinātu polsterus mugursomā (F2 attēls).

**PIEZĪME:** Horizontālās līnijas uz aizmugurējiem polsteriem palīdz abus polsterus noregulēt vienā līmenī.

■ Noņemiet jostasvietas polsteri no Velcro un novietojiet polsteri vēlamajā pozīcijā (F3 attēls).

3. Izvelciet rokas cauri mugursomas siksnām, lai atbalstītu uz muguras pūtēju. Pagaidām noregulējiet krūšu daļas siksnas ērtā stāvoklī, pārliecinoties, ka labās rokas elkonim ir ērti, turot vadības rokturi (F4 attēls).
4. Satveriet vidukļa sprādzi un noregulējiet vidukļa siksnu garumu tā, lai sikсна cieši piegulētu pie jostasvietas. Ja vidukļa sprādzi ir grūti aizsprādzēt, noregulējiet abas sānu siksnas katrā pusē, lai to būtu viegli izdarīt (F5 attēls).

**PIEZĪME:** Atbalsta stiprinājumam nav jāatrodas pārāk augstu uz muguras; tam jābūt tuvāk pie gurniem nekā pleciem.

**⚠ BRĪDINĀJUMS:** Ārkārtas situācijā nekavējoties atsprādzējiet vidukļa sprādzi, lai noņemtu atbalsta stiprinājumu. Šī ir ātras atbrīvošanas metode.

5. Noregulējiet krūšu siksnas drošības nolūkam un ērtumam. Atbalsta stiprinājumam uz muguras jābūt droši piestiprinātam, un vidukļa siksnai ir jāatbalsta tā svārs; pārvietošanās laikā neveiciet liekas kustības (F6 attēls).
6. Ievietojiet lieko siksnu garumu elastīgajā joslā (F7 attēls).
7. Drošai darbībai ir vairākas gaismu atstarojošas lentes. Pārliecinieties, ka darbības laikā gaismu atstarojošās lentes nav aizklātas (F8 attēls).
8. **Lai noņemtu atbalsta stiprinājumu no muguras,** vienkārši nospiediet vidukļa sprādzi, lai tā atsprādzētos, un nolaidiet uz leju pūtēju (F9 attēls).



F1-1	Siksnas	F1-2	Mugursomas tipa plāksne
F2-1	Plecu siksnas	F2-2	Horizontālās līnijas
F3-1	Jostasvietas polsteris	F4-1	Krūšu daļas siksnas
F5-1	Vidukļa siksnas	F5-2	Vidukļa sprādze
F5-3	Sānu siksnas	F7-1	Elastīgā josla
F7-2	Siksnas papildu garums	F8-1	Gaismu atstarojošas lentes

### Vadības roktura regulēšana

1. Atlaidiet ātrās atbrīvošanas sviru, lai pēc vajadzības pārvietotu vadības rokturi uz priekšu vai atpakaļ (G1 un G2 attēls), un pēc tam ieslēdziet ātrās atbrīvošanas sviru, lai nostiprinātu vadības rokturi.
2. Lai rokturis būtu ērts, jūs to varat arī pagriezt (G3 attēls).

G1-1	Vadības rokturis	G1-2	Ātrās atbrīvošanas svira
------	------------------	------	--------------------------

### Vadības roktura caurules garuma regulēšana (H1, H2 attēls)

1. Atlaidiet ātrās atbrīvošanas sviru (H1 attēls).
2. Pārvietojiet pūtēja cauruli ērtā darbības pozīcijā regulēšanas zonā (H2 attēls).
3. Lai nostiprinātu pūtēja cauruli, ieslēdziet ātrās atbrīvošanas sviru (H2 attēls).

H1-1	Ātrās atbrīvošanas svira	H2-1	Pūtēja caurule
H2-2	Regulēšanas zona		

### PŪTĒJA IESLĒGŠANA/IZSLĒGŠANA

**PIEZĪME:** Pūtējs var nedarboties pareizi, ja akumulatoru bloka vai pūtēja temperatūra nokrīt zem -15 °C grādiem vai zemāk. Šādā gadījumā izņemiet akumulatoru bloku no pūtēja, ļaujiet akumulatoru blokam un pūtējam 10 minūtes vai ilgāk sasilt telpās. Ielieciet atpakaļ akumulatoru bloku un mēģiniet vēlreiz iedarbināt ierīci.

### Gaisa pūšanas ātruma pārslēgs (I1 un I2 attēls)

- Nospiediet gaisa pūšanas ātruma pārslēgu, lai ieslēgtu pūtēju, pēc tam LCD ekrānā parādīsies degvielas rādītājs, akumulatora ikona un gaisa pūšanas ātruma indikators.

**PIEZĪME:** Kad ir zems akumulatora uzlādes līmenis, LCD ekrānā mirgo 1 degvielas mērītāja LED indikators.

- Pūtēja gaisa pūšanas ātrumu regulē ar dažādu ātrumu pārslēgu. Piespiežot pārslēgu stingrāk, rodas lielāks gaisa pūšanas ātrums; piespiežot mazāk — lēnāks pūšanas ātrums. Pielāgojiet veicamajiem darbiem nepieciešamo ātrumu. LCD ekrānā tiks parādīts attiecīgais gaisa pūšanas ātruma indikators.

- Lai izslēgtu pūtēju, atlaidiet gaisa pūšanas ātruma pārslēgu. LCD ekrāns izslēgsies noteiktā laika periodā pēc pārslēga atbrīvošanas.

**PIEZĪME:** Ja tiek izmantots akumulators ar ietilpību, kas mazāka par 4 Ah, gaisa pūšanas ātrums ir ierobežots tikai līdz diviem bāriem.

### Turbo režīms

Nospiežot un turot nospiestu gaisa pūšanas ātruma pārslēgu, nospiediet turbo pogu, lai palielinātu gaisa plūsmu līdz maksimālajam ātrumam (I1 attēls). LCD ekrānā iedegas gan turbo indikators, gan arī ventilatora ikona (I3 attēls).

**PIEZĪME:** Atlaižot turbo pogu, pūtējs atgriežas pie iepriekšējā ātruma.

### Fiksēta ātruma bloķēšanas režīms

Ātruma bloķēšanu var izmantot, lai darbinātu pūtēju, nepārtraukti nospiežot gaisa pūšanas ātruma pārslēgu.

1. Nospiediet gaisa pūšanas ātruma pārslēgu, līdz tiek sasniegts vēlamais pūšanas ātrums (I1 attēls).
2. Nospiediet pūšanas ātruma bloķēšanas pogu. LCD ekrānā iedegas ātruma bloķēšanas ikona (I4. att.).
3. Atlaidiet gaisa pūšanas ātruma pārslēgu, pūtējs turpinās darboties izvēlētajā ātrumā.

**PIEZĪME:** Nospiežot turbo pogu fiksēta ātruma bloķēšanas režīmā, gaisa pūšanas ātrumu var nofiksēt maksimālajā līmenī. Vēlreiz nospiežot turbo pogu, pūtējs atsāks darboties iepriekš izvēlētajā ātrumā.

4. **Lai atbrīvotu ātruma bloķētāju,** vēlreiz nospiediet fiksētā ātruma bloķēšanas pogu. Fiksētā ātruma bloķēšanas ikona pazudīs no LCD ekrāna, un pūtējs izslēgsies.

I1-1	Turbo poga	I1-2	Ātruma bloķēšanas poga
I1-3	Gaisa pūšanas ātruma pārslēgs	I2-1	Degvielas mērītājs
I2-2	Gaisa pūšanas ātruma indikators	I2-3	Akumulatora ikona

I3-1	Ventilatora ikona	I3-2	Turbo indikators
I4-1	Ātruma bloķēšanas ikona		

## LED APGAISMOJUMS (J attēls)

LED apgaismojums atrodas vadības roktura priekšpusē. Tas nodrošina apgaismojumu labākai redzamībai.

Nospiediet LED apgaismojuma pogu vienu reizi, lai ieslēgtu gaismu, un, lai izslēgtu, nospiediet to vēlreiz. Gaisma ielsēgsies automātiski, ja aptuveni 5 minūšu laikā netiks veikta neviena darbība.

J-1	LED apgaismojuma poga	J-2	LED apgaismojums
-----	-----------------------	-----	------------------

## KOMUNIKĀCIJAS TEHNOLOĢIJA

Lai iegūtu informāciju par pakalpojumu pilnu klāstu, tostarp savienojuma izveides instrukcijas, lūdzam noskenēt tālāk norādīto QR kodu vai apmeklēt tīmekļa vietni

[www.egopowerplus.eu/connect](http://www.egopowerplus.eu/connect).



## PŪTĒJA LIETOŠANAS IETEIKUMI

- Lai izvairītos no grūžu izmētāšanas, pūtiēt apkārt grūžu kaudzes ārējām malām. Nekad nepūtiēt tieši kaudzei pa vidu.
- Lai samazinātu trokšņu līmeni, ierobežojiet vienlaicīgi izmantoto iekārtu skaitu.
- Izmantojiet grābekļus un slotas grūžu notīrīšanai pirms pūšanas. Putekļainos apstākļos nedaudz samitriniet virsmu, ja ir pieejams ūdens.
- Raugieties, lai tuvumā nebūtu bērni, dzīvnieki, atvērti logi vai tikko mazgātas automašīnas, lai droši varētu izpūst grūžus.
- Pēc pūtēja vai cita aprīkojuma lietošanas sakopiet teritoriju! Atbrīvojieties no grūžiem pareizā veidā.

## APKOPE

**⚠ BRĪDINĀJUMS:** Veicot apkopi, izmantojiet tikai identiskas rezerves daļas. Jebkuru citu daļu izmantošana var radīt apdraudējumu vai izstrādājuma bojājumus. Lai garantētu drošu un uzticamu instrumenta darbību, visi remontdarbi jāveic kvalificētam servisa speciālistam.

**⚠ BRĪDINĀJUMS:** Lai izvairītos no nopietnu traumu gūšanas, vienmēr pirms tīrīšanas vai apkopes darbu veikšanas izņemiet no izstrādājuma akumulatoru bloku.

## VISPĀRĒJĀ APKOPE

Plastmasas detaļu tīrīšanai neizmantojiet šķīdinātājus. Vairums plastmasas ir uzņēmīgas pret dažāda veida komerciālu šķīdinātāju radītiem bojājumiem un, tos izmantojot, var tikt sabojātas. Lai notīrītu neīrumus, putekļus, eļļu, smērvielas u.c., izmantojiet tīras lupatīņas.

**⚠ BRĪDINĀJUMS:** Plastmasas daļas nekādā gadījumā nedrīkst saskarties ar bremžu šķidrums, degvielu, naftas produktiem, iesūcošos eļļu un tamlīdzīgi. Ķīmiskās vielas var radīt bojājumus, kā arī mazināt plastmasas daļas izturību vai iznīcināt tās, radot smagus miesas bojājumus.

**⚠ BRĪDINĀJUMS:** Lai samazinātu Īssavienojuma rašanās risku, kas izraisa ugunsgrēka, miesas bojājumu un iekārtas bojājumu draudus, nekad neiegremdējiet iekārtu, akumulatoru bloku vai lādētāju šķidrumā un neļaujiet šķidrumam tajos iekļūt. Īssavienojumu var izraisīt korozīvi vai vadītspējīgi šķidrums, piemēram, jūras ūdens, noteiktas rūpnieciskās ķīmikālijas un balinātāji vai balinātājus saturoši produkti utt.

## UZGLABĀŠANA

- Izņemiet pūtēja akumulatoru bloku(s) no pūtēja.
- Notīriet visus svešķermeņus no pūtēja gaisa ievades atverēm.
- Nospiediet vertikālās glabāšanas sprādzi, lai piestiprinātu pūtēja cauruli pie akumulatora pieslēgvietas korpusa (K attēls).
- Glabājiet slēgtā, bērniem nepieejamā telpā. Sargājiet no kodīgiem līdzekļiem, piemēram, dārza ķīmikālijām un pretapledošanas sāļiem.

K-1	Vertikālās glabāšanas sprādze
-----	-------------------------------

## APKĀRTĒJĀS VIDES AIZSARDZĪBA



Neutilizējiet elektrisko aprīkojumu, izlietoto akumulatoru un lādētāju sadzīves atkritumos! Nogādājiet šo produktu uz pilnvarotu pārstrādes punktu un sagatavojiet atkritumu šķirošanai. Elektriskie instrumenti jānogādā videi nekaitīgā pārstrādes rūpnīcā.

## PROBLĒMU MEKLĒŠANA UN NOVĒRŠANA

PROBLĒMA	CĒLONIS	RISINĀJUMS
Pūtējs nedarbojas.	<ul style="list-style-type: none"> <li>■ Akumulatoru bloks nav pievienots pūtējam.</li> <li>■ Starp pūtēju un akumulatoru bloku nav elektriskā kontakta.</li> <li>■ Akumulatoru bloks ir izlādējies.</li> <li>■ Akumulatoru bloks vai pūtējs ir pārāk sakarsis.</li> <li>■ Bojāts gaisa pūšanas ātruma pārslēga mehānisms.</li> <li>■ Akumulatoru bloks vai pūtējs ir pārāk auksts.</li> </ul>	<ul style="list-style-type: none"> <li>■ Ievietojiet akumulatoru bloku pūtējā.</li> <li>■ Izņemiet akumulatoru bloku, pārbaudiet kontaktus un ievietojiet akumulatoru bloku atpakaļ.</li> <li>■ Uzlādējiet akumulatoru bloku.</li> <li>■ Atdzesējiet akumulatoru bloku un pūtēju, līdz temperatūra nokrītas zem 67 °C.</li> <li>■ Ja nepieciešams veikt labošanas darbus, sazinieties ar EGO klientu apkalpošanas nodaļu.</li> <li>■ Izņemiet akumulatoru bloku, ļaujiet akumulatoru blokam un pūtējam sasilt telpās. Ieteicams pilnībā uzlādēt akumulatoru bloku un iedarbināt pūtēju ar zemu ātrumu, neieslēdzot turbo režīmu.</li> </ul>
Kad ir nospiests gaisa pūšanas ātruma slēdzis, LCD ekrānā tiek parādītas tikai divas apakšējās gaisa pūšanas ātruma ikonas.	<ul style="list-style-type: none"> <li>■ Izmantots zemas Ah jaudas akumulators.</li> </ul>	<ul style="list-style-type: none"> <li>■ Izmantojiet 4,0 Ah vai jaudīgākus akumulatoru blokus.</li> </ul>
Fiksēta ātruma bloķēšanas režīmu nevar ieslēgt vai izslēgt.	<ul style="list-style-type: none"> <li>■ Bojāta fiksēta ātruma bloķēšanas poga.</li> </ul>	<ul style="list-style-type: none"> <li>■ Ja nepieciešams veikt labošanas darbus, sazinieties ar EGO klientu apkalpošanas nodaļu.</li> </ul>
Gaisa pūšanas ātrums ir ievērojami zemāks.	<ul style="list-style-type: none"> <li>■ Akumulatora uzlādes līmenis ir zems.</li> <li>■ Pārmērīgs motora ventilatora nodilums.</li> <li>■ Gruži gaisa ieplūdes atverē.</li> </ul>	<ul style="list-style-type: none"> <li>■ Uzlādējiet akumulatoru bloku.</li> <li>■ Sazinieties ar EGO servisu, lai veiktu remontu.</li> <li>■ Izņemiet akumulatoru bloku, iztīriet grūzus.</li> </ul>
LCD ekrāns nedarbojas pareizi.	<ul style="list-style-type: none"> <li>■ LCD ekrāns vai vadu savienojums ir bojāts.</li> </ul>	<ul style="list-style-type: none"> <li>■ Sazinieties ar EGO servisu, lai veiktu remontu.</li> </ul>
LCD ekrānā mirgo 1 degvielas rādītāja LED indikators.	<ul style="list-style-type: none"> <li>■ Akumulatora uzlādes līmenis ir zems.</li> </ul>	<ul style="list-style-type: none"> <li>■ Uzlādējiet akumulatoru bloku.</li> </ul>

LV

## GARANTĪJA

### EGO GARANTĪJAS POLITIKA

Lūdzam apmeklēt tīmekļa vietni [egopowerplus.eu](http://egopowerplus.eu), kur pieejama pilna EGO garantijas politikas noteikumu un nosacījumu versija.

## ΔΙΑΒΑΣΤΕ ΟΛΕΣ ΤΙΣ ΟΔΗΓΙΕΣ!



### ΔΙΑΒΑΣΤΕ ΤΟ ΕΓΧΕΙΡΙΔΙΟ ΧΡΗΣΗΣ

**⚠ ΠΡΟΕΙΔΟΠΟΙΗΣΗ:** Προκειμένου να διασφαλιστεί η ασφάλεια και η αξιοπιστία, όλες οι επισκευές πρέπει να διενεργούνται από εξειδικευμένο τεχνικό του σέρβις.

## ΣΥΜΒΟΛΑ ΑΣΦΑΛΕΙΑΣ

Ο σκοπός των συμβόλων ασφαλείας είναι να σας επιστήσουν την προσοχή σε ενδεχόμενους κινδύνους. Λαμβάνετε υπόψη και εξοικειωθείτε με τα σύμβολα ασφαλείας και τις επεξηγήσεις που τα συνοδεύουν. Τα σύμβολα προειδοποίησης από μόνα τους δεν εξαλείφουν κανέναν κίνδυνο. Οι οδηγίες και οι προειδοποιήσεις που παρέχουν δεν υποκαθιστούν τα ενδεδειγμένα μέτρα πρόληψης ατυχημάτων.

**⚠ ΠΡΟΕΙΔΟΠΟΙΗΣΗ:** Βεβαιωθείτε ότι έχετε διαβάσει και κατανοήσει όλες τις οδηγίες ασφαλείας στο παρόν εγχειρίδιο χρήσης, συμπεριλαμβανομένων όλων των συμβόλων ασφαλείας, όπως «**ΚΙΝΔΥΝΟΣ**», «**ΠΡΟΕΙΔΟΠΟΙΗΣΗ**» και «**ΠΡΟΣΟΧΗ**», προτού να χρησιμοποιήσετε αυτό το μηχάνημα. Η μη τήρηση όλων των παρακάτω οδηγιών μπορεί να οδηγήσει σε ηλεκτροπληξία, πυρκαγιά και/ή σοβαρό τραυματισμό.

## ΕΠΕΞΗΓΗΣΗ ΣΥΜΒΟΛΩΝ

**⚠ ΣΥΜΒΟΛΟ ΠΡΟΕΙΔΟΠΟΙΗΣΗΣ ΑΣΦΑΛΕΙΑΣ:** Υποδηλώνει **ΚΙΝΔΥΝΟ**, **ΠΡΟΕΙΔΟΠΟΙΗΣΗ** ή **ΠΡΟΦΥΛΑΞΗ**, ενώ μπορεί να χρησιμοποιείται σε συνδυασμό με άλλα σύμβολα ή εικονογράμματα.

## ΟΔΗΓΙΕΣ ΑΣΦΑΛΕΙΑΣ

Αυτή η σελίδα απεικονίζει και περιγράφει τα σύμβολα ασφαλείας που μπορεί να υπάρχουν επάνω στο προϊόν. Διαβάστε, κατανοείτε και τηρείτε όλες τις οδηγίες στη μηχανή, προτού προσπαθήσετε να εκτελέσετε εργασίες συναρμολόγησης και λειτουργίας.



Προειδοποίηση ασφαλείας



Προκειμένου να μειωθεί ο κίνδυνος τραυματισμού, ο χρήστης πρέπει να διαβάσει το εγχειρίδιο χρήσης.



Φοράτε πάντα προστασία ακοής όταν χρησιμοποιείτε αυτό το προϊόν.



Φοράτε πάντοτε προστατευτικά γυαλιά ή γυαλιά ασφαλείας με πλευρική προστασία και πλήρη προστατευτική προσωπίδα κατά τη λειτουργία αυτού του προϊόντος.



Διατηρείτε όλους τους παρευρισκομένους σε απόσταση τουλάχιστον 15 μ.



Εγγυημένη στάθμη ακουστικής ισχύος. Εκπομπές θορύβου στο περιβάλλον σύμφωνα με την οδηγία της Ευρωπαϊκής Ένωσης.



Τα απόβλητα ειδών ηλεκτρικού και ηλεκτρονικού εξοπλισμού δεν πρέπει να απορρίπτονται στα οικιακά απορρίμματα. Πρέπει να παραδίδονται σε εξουσιοδοτημένη μονάδα ανακύκλωσης.



Αυτό το προϊόν συμμορφώνεται με τις εφαρμοστέες οδηγίες της ΕΚ.



Συνεχές ρεύμα



Αξιολογήθηκε η συμμόρφωση HB



Μην κοιτάτε απευθείας μέσα στη λάμπα λειτουργίας.



Σύμβολο Bluetooth®

IPX5

Προστασία από πίδακες νερού

κίλά

Κιλό

B Τάση  
 °C Βαθμοί Κελσίου  
 N Newton

m<sup>3</sup>/h Κυβικά μέτρα την ώρα  
 m/s Μέτρο ανά δευτερόλεπτο

## ΤΕΧΝΙΚΕΣ ΠΡΟΔΙΑΓΡΑΦΕΣ

Τάση	56 V
Μέγιστος όγκος αέρα	1870 m <sup>3</sup> /h
Μέγιστη ταχύτητα αέρα	85 m/s
Μέγιστη ισχύς φουσηματος	36 N
Ζώνη συχνότητας λειτουργίας Bluetooth	2400-2438 MHz
Μέγιστη ισχύς μετάδοσης Bluetooth	5 dBm
Βάρος (χωρίς συστοιχία μπαταριών)	9,6 kg
Συνιστώμενη θερμοκρασία λειτουργίας	-15°C - 40°C
Συνιστώμενη θερμοκρασία αποθήκευσης	-20°C - 70°C
Μετρημένη στάθμη ηχητικής ισχύος L <sub>WA</sub>	96 dB(A) K=1,4 dB(A)
Στάθμη ηχητικής πίεσης στο αυτί του χειριστή L <sub>PA</sub>	83 dB(A) K=3 dB(A)
Εγγυημένη στάθμη ακουστικής ισχύος L <sub>WA</sub> (μέτρηση κατά 2000/14/ΕΚ)	98 dB(A)
Κραδασμοί a <sub>n</sub>	0,25 m/s <sup>2</sup> K=1,5 m/s <sup>2</sup>

- Η δηλωθείσα συνολική τιμή κραδασμών έχει μετρηθεί σύμφωνα με πρότυπη μέθοδο δοκιμής και μπορεί να χρησιμοποιηθεί για τη σύγκριση ενός εργαλείου με κάποιο άλλο.
- Η δηλωθείσα συνολική τιμή κραδασμών μπορεί να χρησιμοποιηθεί, επίσης, σε προκαταρκτική αξιολόγηση έκθεσης.

**ΕΙΔΟΠΟΙΗΣΗ:** Η μετάδοσης της δόνησης κατά τη διάρκεια της πραγματικής χρήσης του ηλεκτρικού εργαλείου μπορεί να διαφέρει από τη δηλωθείσα τιμή στην οποία χρησιμοποιείται το εργαλείο. Για την προστασία του χειριστή, πρέπει να χρησιμοποιούνται γάντια και ωτοασπίδες υπό πραγματικές συνθήκες χρήσης.

## ΚΑΤΑΛΟΓΟΣ ΕΞΑΡΤΗΜΑΤΩΝ ΣΥΣΚΕΥΑΣΙΑΣ (ΕΙΚ. Α1)

### ΠΕΡΙΓΡΑΦΗ

#### ΓΝΩΡΙΣΤΕ ΤΟ ΦΥΣΗΤΗΡΑ ΣΑΣ (Εικ. Α1)

1. Ρυθμιζόμενος ιμάντας υποστήριξης
2. Κατακόρυφο κούμπωμα αποθήκευσης
3. Πλάκα διάταξης πλάτης
4. Λαβή ελέγχου
5. Κωνικό ακροφύσιο
6. Σωλήνας φυσητήρα
7. Σφιγκτήρας σωλήνα
8. Σωλήνας λαβής ελέγχου
9. Σφιγκτήρας λαβής ελέγχου
10. Σφιγκτήρας ασκού φυσητήρα
11. Ασκός φυσητήρα
12. Είσοδος αέρα
13. Βοηθητική λαβή
14. Ηλεκτρικές επαφές
15. Μάνταλο
16. Κουμπιά απελευθέρωσης μπαταρίας
17. Λαβή
18. Διακόπτης ταχύτητας αέρα
19. Κουμπί κλειδώματος ταχύτητας
20. Λυχνία LED
21. Οθόνη LCD
22. Διακόπτης φωτισμού LED
23. Κουμπί Turbo
24. Μοχλοί γρήγορης αποδέσμευσης
25. Ένδειξη Bluetooth
26. Δείκτης στάθμης καυσίμου
27. Εικονίδιο ανεμιστήρα
28. Ένδειξη Turbo
29. Ένδειξη ταχύτητας αέρα
30. Εικονίδιο κλειδώματος ταχύτητας
31. Εικονίδιο μπαταρίας

GR

## ΣΥΝΑΡΜΟΛΟΓΗΣΗ

**⚠️ ΠΡΟΕΙΔΟΠΟΙΗΣΗ:** Σε περίπτωση που κάποια από τα εξαρτήματα έχουν υποστεί ζημιά ή λείπουν, μη χρησιμοποιήσετε το προϊόν, μέχρι να αντικατασταθούν. Η χρήση αυτού του προϊόντος με φθαρμένα ή ελλιπή εξαρτήματα μπορεί να έχει ως αποτέλεσμα σοβαρό τραυματισμό.

**⚠️ ΠΡΟΕΙΔΟΠΟΙΗΣΗ:** Μην επιχειρήσετε να τροποποιήσετε αυτό το εργαλείο ή να δημιουργήσετε εξαρτήματα που δεν συνιστώνται για χρήση με αυτό το φυσητήρα. Κάθε παρόμοια μετατροπή ή τροποποίηση συνιστά κακή χρήση και μπορεί να δημιουργήσει επικίνδυνες καταστάσεις με επακόλουθο τον σοβαρό τραυματισμό.

**⚠️ ΠΡΟΕΙΔΟΠΟΙΗΣΗ:** Για να εμποδίσετε τυχαία εκκίνηση που θα μπορούσε να προκαλέσει σοβαρό τραυματισμό, απομακρύνετε πάντα τις μπαταρίες από το ηλεκτρικό εργαλείο όταν συναρμολογείτε εξαρτήματα.

## ΣΥΝΑΡΜΟΛΟΓΗΣΗ ΤΩΝ ΣΩΛΗΝΩΝ ΦΥΣΗΤΗΡΑ

### Σύνδεση του σωλήνα λαβής ελέγχου με τον ασκό φυσητήρα

1. Για μια άνετη συναρμολόγηση τοποθετήστε τον φυσητήρα με τον ιμάντα στήριξης να κοιτάζει επάνω όπως φαίνεται στην Εικ. Β1.
2. Χαλαρώστε και αφαιρέστε τις δύο βίδες από τη μία πλευρά του σφινγκτήρα ασκού φυσητήρα, ανοίξτε εν μέρει τον σφινγκτήρα ασκού φυσητήρα αλλά βεβαιωθείτε ότι η γλωπίδα στο χέλιος του ασκού φυσητήρα έχει εμπλακεί πλήρως μέσα στην εσοχή του σφινγκτήρα (Εικ. Β2).
3. Εισαγάγετε το πίσω άκρο του σωλήνα λαβής ελέγχου μέσα στον ασκό φυσητήρα μέχρι η επιφάνεια του πίσω άκρου να έρχεται σε επαφή με την τερματική επιφάνεια του σφινγκτήρα ασκού φυσητήρα (Εικ. Β3).
4. Ο σφινγκτήρας του ασκού φυσητήρα μπορεί να κλείσει εντελώς όταν ο σωλήνας λαβής ελέγχου συνδεθεί σωστά στον ασκό φυσητήρα. Σφίξτε καλά τις βίδες του σφινγκτήρα του ασκού φυσητήρα (Εικ. Β4).

B1-1	Ιμάντας στήριξης	B1-2	Ασκός φυσητήρα
B2-1	Βίδες	B2-2	Υποδοχή
B2-3	Γλωπίδα	B2-4	Σφινγκτήρας ασκού φυσητήρα
B3-1	Σωλήνας λαβής ελέγχου	B3-2	Πίσω άκρο

B3-3	Επιφάνεια πίσω άκρου	B3-4	Επιφάνεια άκρου σφινγκτήρα ασκού φυσητήρα
------	----------------------	------	---

### Σύνδεση του σωλήνα φυσητήρα με το σωλήνα λαβής ελέγχου

1. Χαλαρώστε και αφαιρέστε το μοχλό γρήγορης αποδέσμευσης και την πεταλούδα από το συγκρότημα σφινγκτήρα σωλήνα που είναι προσαρτημένο στο σωλήνα φυσητήρα (Εικ. C1).
2. Ευθυγραμμίστε την αυλάκωση στο σωλήνα φυσητήρα με τη νεύρωση στο σωλήνα λαβής ελέγχου, σύρετε το σωλήνα φυσητήρα πάνω στο σωλήνα λαβής ελέγχου μέχρι τέρμα (Εικ. C2).
3. Εισαγάγετε τον πείρο του μοχλού γρήγορης αποδέσμευσης και κλείστε το μοχλό πάνω στο σφινγκτήρα σωλήνα (Εικ. C3).
4. Σφίξτε την πεταλούδα για να ασφαλίσετε το σφινγκτήρα σωλήνα (Εικ. C4).

C1-1	Σωλήνας φυσητήρα	C1-2	Σφινγκτήρας σωλήνα
C1-3	Μοχλός γρήγορης αποδέσμευσης	C1-4	Πεταλούδα
C2-1	Εγκοπή του σωλήνα φυσητήρα	C2-2	Νεύρωση του σωλήνα λαβής ελέγχου

### Σύνδεση του κωνικού ακροφυσίου στο σωλήνα φυσητήρα

1. Ευθυγραμμίστε την αυλάκωση στο ακροφύσιο με το μάνταλο στο σωλήνα. Ωθήστε το ακροφύσιο πάνω από το σωλήνα μέχρι να ασφαλίσει στη θέση του (Εικ. D1).
2. **Για να αφαιρέσετε το ακροφύσιο**, πατήστε και κρατήστε πατημένο το κουμπί αποδέσμευσης ακροφυσίου ώστε να απεμπλακεί το μάνταλο, στη συνέχεια τραβήξτε το ακροφύσιο απευθείας από το σωλήνα φυσητήρα (Εικ. D2).

D1-1	Κουμπί αποδέσμευσης ακροφυσίου	D1-2	Μάνταλο
------	--------------------------------	------	---------

## ΛΕΙΤΟΥΡΓΙΑ

**⚠️ ΠΡΟΕΙΔΟΠΟΙΗΣΗ:** Η εξοικειώσή σας με αυτό το προϊόν δε θα πρέπει να σας κάνει λιγότερο προσεκτικούς. Θυμηθείτε πως ένα κλάσμα δευτερολέπτου απροσεξίας μπορεί να προκαλέσει σοβαρό τραυματισμό.

**⚠️ ΠΡΟΕΙΔΟΠΟΙΗΣΗ:** Μη χρησιμοποιείτε παρεκκείμενα που δεν συνιστώνται από τον κατασκευαστή αυτού του προϊόντος. Η χρήση παρεκκείμενων ή εξαρτημάτων που δε συνιστώνται από τον κατασκευαστή, ενέχει τον κίνδυνο σοβαρού τραυματισμού.

**⚠️ ΠΡΟΕΙΔΟΠΟΙΗΣΗ:** Αφαιρείτε πάντα τις μπαταρίες από το προϊόν, όταν συναρμολογείτε μέρη, πραγματοποιείτε ρυθμίσεις, διενεργείτε καθαρισμό ή όταν δεν το χρησιμοποιείτε. Η απομάκρυνση των μπαταριών αποτρέπει την τυχαία εκκίνηση, που θα μπορούσε να επιφέρει σοβαρό τραυματισμό.

Πριν από κάθε χρήση ελέγχετε όλο το προϊόν για φθαρμένα, ελλiptή ή χαλαρά εξαρτήματα όπως βίδες, παξιμάδια, μπουλόνια, πώματα κ.λπ. Σφίξτε με ασφάλεια όλους τους σφιγκτήρες και τα πώματα και μη θέσετε σε λειτουργία το προϊόν προτού να αποκατασταθούν όλα τα ελλiptή ή φθαρμένα εξαρτήματα.

## ΕΦΑΡΜΟΓΗ

Μπορείτε να χρησιμοποιήσετε αυτό το προϊόν για τους ακόλουθους σκοπούς:

- Καθαρισμός φύλλων και διαφόρων υπολειμμάτων κήπου από γκαζόν και υποστρώματα εδαφοκάλυψης.
- Καθαρισμός σκληρών επιφανειών όπως δρομάκια και μονοπάτια.
- Απομάκρυνση φύλλων και πευκοβελόνων από δάπεδα και δρομάκια.

**ΕΙΔΟΠΟΙΗΣΗ:** Το εργαλείο πρέπει να χρησιμοποιείται μόνο για την προβλεπόμενη χρήση. Οποιαδήποτε άλλη χρήση θα εκληφθεί ως καταχρηστική.

## ΠΡΟΣΑΡΤΗΣΗ/ΑΠΟΜΑΚΡΥΝΣΗ ΤΗΣ ΣΥΣΤΟΙΧΙΑΣ ΜΠΑΤΑΡΙΩΝ

Χρησιμοποιείτε μόνο τις συστοιχίες μπαταριών και τους φορτιστές της EGO που αναφέρονται στην Εικ. Α2.

Ανατρέξτε στα αντίστοιχα εγχειρίδια των συστοιχιών μπαταριών και των φορτιστών για περισσότερες λεπτομέρειες.

### Φορτίστε πλήρως πριν από την πρώτη χρήση.

**ΣΗΜΕΙΩΣΗ:** Για βέλτιστη απόδοση, συνιστούμε τη χρήση της συστοιχίας μπαταριών EGO 56V BA3360T (6,0 Ah) ή άλλων συστοιχιών μπαταριών EGO 56V με υψηλότερη τιμή Ah.

Ο φυσητήρας έχει δύο ενεργές υποδοχές μπαταρίας που βρίσκονται αριστερά και δεξιά από το περίβλημα υποδοχής μπαταρίας.

**ΣΗΜΕΙΩΣΗ:** Ο φυσητήρας μπορεί να λειτουργεί με

μία ή δύο μπαταρίες. Η χρήση δύο μπαταριών παρέχει μεγαλύτερο χρόνο λειτουργίας και αποτελεσματική κατανάλωση ενέργειας χάρη στην τεχνολογία PEAK POWER™.

Όταν οι συστοιχίες μπαταριών εισάγονται στις αντίστοιχες υποδοχές μπαταρίας με σήμανση 1 ή 2 στην πλάκα διάταξης πλάτης και ο φυσητήρας ενεργοποιείται, ανάβει το αντίστοιχο εικονίδιο μπαταρίας στην οθόνη LCD (Εικ. Ε1).

### Τοποθέτηση (Εικ. Ε2)

Ευθυγραμμίστε τις νευρώσεις της μπαταρίας με τις σπές τοποθέτησης και πιέστε τη συστοιχία μπαταριών προς τα κάτω μέχρι να ακούσετε «κλικ». Συνδέστε την άλλη μπαταρία.

### Αφαίρεση

Πιέστε το κουμπί αποδέσμευσης μπαταρίας και βγάλτε έξω τη συστοιχία μπαταριών.

**⚠️ ΠΡΟΕΙΔΟΠΟΙΗΣΗ:** Λαμβάνετε πάντα υπόψη τη θέση των ποδιών σας, παιδιών ή κατοικίδιων όταν πιέζετε το κουμπί απελευθέρωσης μπαταρίας. Ενέχει κίνδυνο σοβαρού τραυματισμού εάν πέσει η μπαταρία. Μη αφαιρείτε ΠΟΤΕ την μπαταρία όταν βρίσκεστε σε ύψος.

E1-1	Αριθμός υποδοχών μπαταρίας	E1-2	Οθόνη LCD
E1-3	Εικονίδιο μπαταρίας	E2-1	Νεύρωση μπαταρίας
E2-2	Υποδοχή τοποθέτησης	E2-3	Κουμπί αποδέσμευσης μπαταρίας

## ΤΟΠΟΘΕΤΗΣΗ ΤΟΥ ΦΥΣΗΤΗΡΑ ΠΛΑΤΗΣ

**⚠️ ΠΡΟΕΙΔΟΠΟΙΗΣΗ:** Ντύνεστε κατάλληλα για να μειώσετε τον κίνδυνο τραυματισμού κατά τη λειτουργία αυτού του μηχανήματος. Μη φοράτε φαρδιά ρούχα ή κοσμήματα. Φοράτε προστατευτικά γυαλιά και ωτοασπίδες. Φοράτε βαριά, μακριά παντελόνια, μπότες και γάντια. Μη φοράτε κοντά παντελόνια, σανδάλια και μην είστε ζυπόλυτοι.

Πριν από τη χρήση του φυσητήρα πλάτης, βεβαιωθείτε ότι ο χειριστής φοράει προστασία για τα μάτια και σωστό ρουχισμό και ότι πατάει με ασφάλεια και διατηρεί την ισορροπία.

### Ρύθμιση του ιμάντα υποστήριξης

1. Τραβήξτε τους δύο ιμάντες της πλάκας σακιδίου για να βεβαιωθείτε ότι ο ιμάντας είναι καλά προσαρτημένος στην πλάκα του σακιδίου (Εικ. F1).

2. Ρυθμίστε τα μαξιλαράκια πλάτης και οσφυϊκής χώρας για την άνεσή σας, εάν είναι απαραίτητο.

- Χαλαρώστε τους ιμάντες ώμου, ξεκολλήστε τα πίσω μαξιλαράκια από το βέλκρο και μετακινήστε τα μαξιλαράκια στην επιθυμητή θέση, στη συνέχεια τραβήξτε τους ιμάντες ώμου για να ασφαλίσετε τα μαξιλαράκια για το σακίδιο σας (Εικ. F2).

**ΣΗΜΕΙΩΣΗ:** Οι οριζόντιες γραμμές στα πίσω μαξιλαρία βοηθούν στη ρύθμιση και των δύο μαξιλαριών στο ίδιο επίπεδο.

- Τραβήξτε το μαξιλαράκι οσφυϊκής χώρας από το βέλκρο και μετακινήστε το μαξιλαράκι στην επιθυμητή θέση (Εικ. F3).
3. Περάστε τους βραχιονές σας μέσα από τους ιμάντες για να στηριχτεί ο φυσητήρας στην πλάτη σας. Ρυθμίστε προσωρινά τους ιμάντες θώρακα σε άνετες θέσεις εξασφαλίζοντας ότι ο αγκώνας του δεξιού σας βραχιόνου είναι άνετος όταν κρατάτε τη λαβή ελέγχου (Εικ. F4).

4. Ασφαλίστε το κούμπωμα μέσης και ρυθμίστε το μήκος των ιμάντων μέσης έτσι ώστε ο ιμάντας να υποστηρίζεται με ασφάλεια από τη μέση σας. Εάν το κούμπωμα της μέσης δεν ασφαλίζει εύκολα ρυθμίστε τους δύο πλαινοίς ιμάντες σε κάθε πλευρά για να διευκολύνετε την ασφάλιση (Εικ. F5).

**ΣΗΜΕΙΩΣΗ:** Ο ιμάντας δεν πρέπει να εδράζεται πολύ ψηλά στην πλάτη σας. Πρέπει να τοποθετείται πιο κοντά στους γοφούς σας παρά στους ώμους σας.

**⚠️ ΠΡΟΕΙΔΟΠΟΙΗΣΗ:** Σε περίπτωση έκτακτης ανάγκης αποδεσμεύστε αμέσως το κούμπωμα μέσης ώστε να αφαιρέσετε τον ιμάντα. Αυτή είναι μια μέθοδος γρήγορης αποδέσμευσης.

5. Επαναρρυθμίστε τους ιμάντες θώρακα για ασφάλεια και άνεση. Εξασφαλίστε ότι ο ιμάντας εδράζεται με ασφάλεια στην πλάτη σας με το βάρος να υποστηρίζεται από τον ιμάντα μέσης και χωρίς υπερβολική κίνηση όταν κινείστε (Εικ. F6).
6. Εισάγετε τυχόν επιπλέον μήκος των ιμάντων μέσα στο ελαστικό (Εικ. F7).
7. Υπάρχουν αρκετές φωτοανακλαστικές λωρίδες για την ασφαλή λειτουργία. Βεβαιωθείτε ότι δεν καλύπτετε τις φωτοανακλαστικές λωρίδες κατά τη διάρκεια της λειτουργίας (Εικ. F8).
8. **Για να αποσπάσετε τον ιμάντα από την πλάτη σας,** απλά πιέστε το κούμπωμα μέσης για να το αποδεσμεύσετε και να χαμηλώσετε τον φυσητήρα (Εικ. F9).

F1-1	Ιμάντες	F1-2	Πλάκα διάταξης πλάτης
F2-1	Ιμάντες ώμου	F2-2	Οριζόντιες γραμμές
F3-1	Μαξιλαράκι οσφυϊκής χώρας	F4-1	Ιμάντες θώρακα
F5-1	Ιμάντες μέσης	F5-2	Κούμπωμα στήθους
F5-3	Πλαινοί ιμάντες	F7-1	Ελαστικό τμήμα
F7-2	Επιπλέον μήκος ιμάντα	F8-1	Λωρίδες αντανάκλασης φωτός

### Για να ρυθμίσετε τη λαβή ελέγχου

1. Αποδεσμεύστε τον μοχλό γρήγορης αποδέσμευσης για να μετακινήσετε τη λαβή ελέγχου προς τα εμπρός ή πίσω όπως απαιτείται (Εικ. G1 & G2) και κατόπιν απεμπλέξτε τον μοχλό γρήγορης αποδέσμευσης για να ασφαλίσετε τη λαβή ελέγχου στη σωστή θέση.
2. Μπορείτε επίσης να περιστρέψετε τη λαβή για μεγαλύτερη άνεση (Εικ. G3).

G1-1	Λαβή ελέγχου	G1-2	Μοχλός γρήγορης αποδέσμευσης
------	--------------	------	------------------------------

### Ρύθμιση μήκους του σωλήνα λαβής ελέγχου (Εικ. H1, H2)

1. Απελευθερώστε το μοχλό ταχείας απελευθέρωσης (Εικ. H1).
2. Μετακινήστε το σωλήνα φυσητήρα σε μια άνετη θέση λειτουργίας εντός της ζώνης ρύθμισης (Εικ. H2).
3. Εμπλέξτε το μοχλό γρήγορης αποδέσμευσης για να ασφαλίσετε το σωλήνα φυσητήρα στη θέση του (Εικ. H2).

H1-1	Μοχλός γρήγορης αποδέσμευσης	H2-1	Σωλήνας φυσητήρα
H2-2	Ζώνη ρύθμισης		

### ΕΚΚΙΝΗΣΗ/ΔΙΑΚΟΠΗ ΤΟΥ ΦΥΣΤΗΡΑ

**ΣΗΜΕΙΩΣΗ:** Ο φυσητήρας ενδέχεται να μην εκκινείται σωστά εάν η συστοιχία μπαταριών ή η θερμοκρασία φυσητήρα είναι  $-15^{\circ}\text{C}$  ή χαμηλότερη. Σε αυτή την περίπτωση, αφαιρέστε τη συστοιχία μπαταριών από τον φυσητήρα, αφήστε τη συστοιχία μπαταριών και το φυσητήρα να ζεσταθούν σε εσωτερικό χώρο για 10 λεπτά ή περισσότερο. Επανατοποθετήστε τη συστοιχία μπαταριών και δοκιμάστε ξανά.



### Σκανδάλη ταχύτητας αέρα (Εικ. 11, 12)

- Πατήστε τη σκανδάλη ταχύτητας αέρα για να ενεργοποιήσετε το φουσητήρα, στη συνέχεια η οθόνη LCD θα προβάλει την ένδειξη καυσίμου, το εικονίδιο μπαταρίας και την ένδειξη ταχύτητας αέρα.

**ΣΗΜΕΙΩΣΗ:** 1 LED του δείκτη καυσίμου στην οθόνη LCD αναβοσβήνει όταν η φόρτιση της μπαταρίας είναι χαμηλή.

- Η ταχύτητα αέρα του φουσητήρα ελέγχεται με το διακόπτη μεταβλητής ταχύτητας. Μεγαλύτερη πίεση στο διακόπτη επιφέρει υψηλότερες ταχύτητες φυσήματος. Λιγότερη πίεση στο διακόπτη επιφέρει χαμηλότερες ταχύτητες φυσήματος. Ρυθμίστε την ταχύτητα ώστε να ανταποκρίνεται στην εν λόγω εργασία. Το αντίστοιχο εικονίδιο ταχύτητας αέρα εμφανίζεται στην οθόνη LCD.

- Απελευθερώστε το διακόπτη ταχύτητας αέρα για να απενεργοποιήσετε το φουσητήρα. Η οθόνη LCD θα απενεργοποιηθεί εντός ορισμένης χρονικής περιόδου μετά την απελευθέρωση του διακόπτη.

**ΣΗΜΕΙΩΣΗ:** Εάν χρησιμοποιείται μια συστοιχία μπαταριών κάτω των 4 Ah, η ταχύτητα του αέρα περιορίζεται σε δύο μπάρες μόνο.

### Λειτουργία Turbo

Ενώ πατάτε παρατεταμένα τη σκανδάλη ταχύτητας αέρα, πιέστε το κουμπί turbo για να αυξήσετε τη ροή αέρα στην μέγιστη ταχύτητα (Εικ. 11). Η ένδειξη turbo και το εικονίδιο ανεμιστήρα ανάβουν στην οθόνη LCD (Εικ. 13).

**ΣΗΜΕΙΩΣΗ:** Ο φουσητήρας επιστρέφει στην προηγούμενη ταχύτητα μόλις αποδεσμευτεί το κουμπί Turbo.

### Λειτουργία κλειδώματος ταχύτητας

Το κλειδί ταχύτητας χρησιμοποιείται για τη λειτουργία του φουσητήρα χωρίς να πιέζεται συνεχώς η σκανδάλη ταχύτητας αέρα.

1. Πατήστε τη σκανδάλη ταχύτητας αέρα μέχρι να επιτύχετε την επιθυμητή ταχύτητα (Εικ. 11).
2. Πατήστε το κουμπί κλειδώματος ταχύτητας. Το εικονίδιο κλειδώματος ταχύτητας ανάβει στην οθόνη LCD (Εικ. 14).
3. Αποδεσμεύστε στη συνέχεια τη σκανδάλη ταχύτητας αέρα, ο φουσητήρας θα συνεχίσει να λειτουργεί στην «επιθυμητή» ταχύτητα.

**ΣΗΜΕΙΩΣΗ:** Πατώντας το κουμπί turbo ενώ βρίσκεται στη λειτουργία κλειδώματος ταχύτητας, η ταχύτητα αέρα μπορεί να κλειδώσει στο μέγιστο επίπεδο. Ο φουσητήρας θα συνεχίσει με την προηγούμενη ταχύτητα εάν πατήσετε το κουμπί turbo άλλη μια φορά.

4. Για να αποδεσμεύσετε το κλειδί ταχύτητας, πατήστε ξανά το κουμπί κλειδώματος ταχύτητας. Το

εικονίδιο κλειδώματος ταχύτητας θα εξαφανιστεί από την οθόνη LCD και ο φουσητήρας θα απενεργοποιηθεί.

I1-1	Κουμπί Turbo	I1-2	Κουμπί κλειδώματος ταχύτητας
I1-3	Διακόπτης ταχύτητας αέρα	I2-1	Δείκτης στάθμης καυσίμου
I2-2	Ένδειξη ταχύτητας αέρα	I2-3	Εικονίδιο μπαταρίας
I3-1	Εικονίδιο ανεμιστήρα	I3-2	Ένδειξη Turbo
I4-1	Εικονίδιο κλειδώματος ταχύτητας		

### ΛΥΧΝΙΑ LED (Εικ. J)

Η LED βρίσκεται στο μπροστινό μέρος της λαβής ελέγχου. Παρέχει φωτισμό για αυξημένη ορατότητα.

Πατήστε το κουμπί λυχνίας LED μία φορά για να ενεργοποιήσετε το φως, πατήστε το ξανά για να το απενεργοποιήσετε. Θα απενεργοποιηθεί επίσης αυτόματα μετά από περίπου 5 λεπτά αδράνειας του φουσητήρα.

J-1	Διακόπτης φωτισμού LED	J-2	Λυχνία LED
-----	------------------------	-----	------------

### ΤΕΧΝΟΛΟΓΙΑ ΕΠΙΚΟΙΝΩΝΙΑΣ

Για πληροφορίες σχετικά με το πλήρες εύρος των συνδεδεμένων προϊόντων και υπηρεσιών μας, συμπεριλαμβανομένων των οδηγιών σύνδεσης, σκανάρετε τον παρακάτω κωδικό QR ή μεταβείτε στη διεύθυνση

[www.egopowerplus.eu/connect](http://www.egopowerplus.eu/connect).



GR

### ΥΠΟΔΕΙΞΕΙΣ ΓΙΑ ΧΡΗΣΗ ΤΟΥ ΦΥΣΗΤΗΡΑ

- Για να μην διασκορπιστούν υπολείμματα, φυσάτε γύρω από τις εξωτερικές άκρες μιας στοιβας υπολειμμάτων. Ποτέ μη φυσάτε απευθείας στο κέντρο μιας στοιβας.
- Για μείωση της στάθμης θορύβου, περιορίστε τον αριθμό τεμαχίων εξοπλισμού που χρησιμοποιείται κάθε φορά.
- Χρησιμοποιείτε τσουγκράνες ή σκόουπες για να αφρατέψετε τους ρύπους πριν το φύσημα. Σε συνθήκες με σκόνη βρέξτε ελαφρά τις επιφάνειες εάν υπάρχει διαθέσιμο νερό.

- Προσέχετε για παιδιά, κατοικίδια, ανοιχτά παράθυρα ή φρεσκοπλυμένα αυτοκίνητα και φυσάτε τα υπολείμματα με ασφάλεια μακριά.
- Μετά τη χρήση φυσητήρων ή άλλων εξοπλισμών, καθαρίζετε! Απορρίπτετε με σωστό τρόπο τα υπολείμματα.
- Κουμπώστε το κάθετο κούμπωμα αποθήκευσης για να αγκιστρώσετε τον σωλήνα φυσητήρα επάνω στο περίβλημα υποδοχής μπαταρίας (Εικ. Κ).
- Αποθηκεύστε σε κλειστό χώρο όπου δεν πλησιάζουν παιδιά. Να διατηρείται μακριά από διαβρωτικές ουσίες, όπως χημικές ουσίες και αποπαγωτικά άλατα κήπου.

## ΣΥΝΤΗΡΗΣΗ

**⚠ ΠΡΟΕΙΔΟΠΟΙΗΣΗ:** Κατά τη συντήρηση του εργαλείου, χρησιμοποιείτε μόνο όμοια ανταλλακτικά. Η χρήση οποιωνδήποτε άλλων εξαρτημάτων μπορεί να προκαλέσει κίνδυνο ή υλικές ζημιές. Προκειμένου να διασφαλιστεί η ασφάλεια και η αξιοπιστία, όλες οι επισκευές πρέπει να διενεργούνται από εξειδικευμένο τεχνικό του σέρβις.

**⚠ ΠΡΟΕΙΔΟΠΟΙΗΣΗ:** Για την αποφυγή σοβαρού τραυματισμού, αφαιρείτε πάντοτε τη μπαταρία από το προϊόν πριν από τον καθαρισμό ή οποιαδήποτε συντήρηση.

## ΓΕΝΙΚΗ ΣΥΝΤΗΡΗΣΗ

Αποφεύγετε τη χρήση διαλυτών κατά τον καθαρισμό των πλαστικών εξαρτημάτων. Τα περισσότερα πλαστικά είναι ευπαθή στη χρήση διαφόρων τύπων διαλυτών του εμπορίου και καταστρέφονται από τη χρήση τους. Χρησιμοποιήστε ένα καθαρό πανί για την απομάκρυνση βρωμιάς, σκόνης, λαδιού, γράσου, κτλ.

**⚠ ΠΡΟΕΙΔΟΠΟΙΗΣΗ:** Μην επιτρέψετε ποτέ να έρθουν σε επαφή τα πλαστικά εξαρτήματα με υγρά φρένων, βενζίνη, πετρελαιικά προϊόντα, διεισδυτικά λάδια, κτλ. Τα χημικά μπορούν να φθείρουν, να αποδυναμώσουν ή να καταστρέψουν τα πλαστικά εξαρτήματα με κίνδυνο σοβαρού τραυματισμού.

**⚠ ΠΡΟΕΙΔΟΠΟΙΗΣΗ:** Για να μειώσετε τον κίνδυνο πυρκαγιάς, τραυματισμού και ζημιές στο προϊόν λόγω βραχυκυκλώματος, μην βυθίζετε ποτέ τη μηχανή, τη συστοιχία μπαταριών ή το φορτιστή σε υγρό και προσέξτε να μην εισχωρήσει νερό στο εσωτερικό τους. Διαβρωτικά ή αγώγιμα υγρά, όπως το θαλασσινό νερό, ορισμένα βιομηχανικά χημικά, και η χλωρίνη ή προϊόντα που περιέχουν χλώριο κ.λπ., μπορούν να προκαλέσουν βραχυκύκλωμα.

## ΑΠΟΘΗΚΕΥΣΗ

- Απομακρύνετε τη (τις) συστοιχία(ες) μπαταριών από το φυσητήρα.
- Καθαρίζετε όλα τα ξένα υλικά από τις εισόδους αέρα του φυσητήρα.

K-1 Κατακόρυφο κούμπωμα αποθήκευσης

## ΠΡΟΣΤΑΣΙΑ ΤΟΥ ΠΕΡΙΒΑΛΛΟΝΤΟΣ



Μην απορρίπτετε ηλεκτρικό εξοπλισμό, παλιές μπαταρίες και φορτιστές στα οικιακά απορρίμματα! Μεταφέρετε αυτό το προϊόν σε εξουσιοδοτημένο κέντρο ανακύκλωσης και παραδώστε το για ξεχωριστή συλλογή. Τα ηλεκτρικά εργαλεία πρέπει να επιστρέφονται σε περιβαλλοντικά συμβατή μονάδα ανακύκλωσης.

GR

## ΑΝΤΙΜΕΤΩΠΙΣΗ ΠΡΟΒΛΗΜΑΤΩΝ

ΠΡΟΒΛΗΜΑ	ΑΙΤΙΑ	ΑΝΤΙΜΕΤΩΠΙΣΗ
Ο φυσητήρας δεν λειτουργεί.	<ul style="list-style-type: none"> <li>■ Η συστοιχία μπαταριών δεν έχει προσαρτηθεί στο φυσητήρα.</li> <li>■ Δεν υπάρχει ηλεκτρική επαφή μεταξύ του φυσητήρα και της μπαταρίας.</li> <li>■ Η συστοιχία μπαταριών έχει αδειάσει.</li> <li>■ Η συστοιχία μπαταριών ή ο φυσητήρας είναι πολύ καυτά.</li> <li>■ Κατεστραμμένος διακόπτης ταχύτητας αέρα.</li> <li>■ Η συστοιχία μπαταριών ή ο φυσητήρας είναι πολύ κρύα.</li> </ul>	<ul style="list-style-type: none"> <li>■ Τοποθετήστε τη συστοιχία μπαταριών στο φυσητήρα.</li> <li>■ Απομακρύνετε τη συστοιχία μπαταριών, ελέγξτε τις επαφές και εγκαταστήστε εκ νέου τη συστοιχία μπαταριών.</li> <li>■ Φορτίστε τη συστοιχία μπαταριών.</li> <li>■ Επιτρέψτε να κρυώσει η συστοιχία μπαταριών και ο φυσητήρας μέχρι η θερμοκρασία τους να πέσει κάτω από τους 67 °C.</li> <li>■ Επικοινωνήστε με την εξυπηρέτηση πελατών της EGO για επίσκεψη.</li> <li>■ Αφαιρέστε τη συστοιχία μπαταριών, επιτρέψτε η συστοιχία μπαταριών και ο φυσητήρας να ζεσταθούν σε εσωτερικό χώρο. Συνιστάται η πλήρης φόρτιση της συστοιχίας μπαταριών και η εκκίνηση του φυσητήρα σε χαμηλή ταχύτητα χωρίς την ενεργοποίηση της λειτουργίας Turbo.</li> </ul>
Όταν πιέζεται ο διακόπτης ταχύτητας αέρα, μόνο τα κάτω δύο εικονίδια ταχύτητας αέρα προβάλλονται στην οθόνη LCD.	<ul style="list-style-type: none"> <li>■ Χρησιμοποιείται συστοιχία μπαταριών χαμηλής τιμής Ah.</li> </ul>	<ul style="list-style-type: none"> <li>■ Χρησιμοποιείτε συστοιχίες μπαταριών 4,0 Ah ή μεγαλύτερες.</li> </ul>
Η λειτουργία κλειδώματος ταχύτητας δεν μπορεί να ενεργοποιηθεί ή να απενεργοποιηθεί.	<ul style="list-style-type: none"> <li>■ Χαλασμένο κουμπί κλειδώματος ταχύτητας.</li> </ul>	<ul style="list-style-type: none"> <li>■ Επικοινωνήστε με την εξυπηρέτηση πελατών της EGO για επίσκεψη.</li> </ul>
Η ταχύτητα του αέρα μειώνεται αισθητά.	<ul style="list-style-type: none"> <li>■ Η φόρτιση της μπαταρίας είναι χαμηλή.</li> <li>■ Υπερβολική φθορά του ανεμιστήρα του κινητήρα.</li> <li>■ Η είσοδος αέρα έχει φράξει από ακαθαρσίες.</li> </ul>	<ul style="list-style-type: none"> <li>■ Φορτίστε τη συστοιχία μπαταριών.</li> <li>■ Επικοινωνήστε με το σέρβις της EGO για επίσκεψη.</li> <li>■ Απομακρύνετε τη συστοιχία μπαταριών, καθαρίστε κατόπιν τα υπολείμματα.</li> </ul>
Η οθόνη LCD δεν λειτουργεί σωστά.	<ul style="list-style-type: none"> <li>■ Η οθόνη LCD ή η σύνδεση καλωδίων έχει υποστεί ζημιά.</li> </ul>	<ul style="list-style-type: none"> <li>■ Επικοινωνήστε με το σέρβις της EGO για επίσκεψη.</li> </ul>
1 λυχνία LED του δείκτη καυσίμου στην οθόνη LCD αναβοσβήνει.	<ul style="list-style-type: none"> <li>■ Η φόρτιση της μπαταρίας είναι χαμηλή.</li> </ul>	<ul style="list-style-type: none"> <li>■ Φορτίστε τη συστοιχία μπαταριών.</li> </ul>

**GR**

## ΕΓΓΥΗΣΗ

### ΠΟΛΙΤΙΚΗ ΕΓΓΥΗΣΗΣ EGO

Επισκεφθείτε την ιστοσελίδα [egopowerplus.eu](http://egopowerplus.eu) για όλους τους όρους και τις προϋποθέσεις της πολιτικής εγγύησης EGO.

## TÜM TALİMATLARI OKUYUN!



### KULLANIM KILAVUZUNU OKUYUN

**⚠ UYARI:** Emniyet ve güvenilirliği sağlamak için tüm tamir işleri yetkili bir servis teknisyeni tarafından yapılmalıdır.

## GÜVENLİK SEMBOLLERİ

Güvenlik sembollerinin amacı olası tehlikelere dikkatinizi çekmektir. Güvenlik sembolleri ve yanlarındaki açıklamalar özel dikkat ve anlayış göstermenizi gerektirir. Uyarı sembolleri kendi başlarına herhangi bir tehlikeyi gidermez. Sembollerde belirtilen talimatlar ve uyarılar uygun kaza önleme tedbirlerinin yerine geçmez.

**⚠ UYARI:** Bu makineyi kullanmadan önce "TEHLİKE" "UYARI" ve "DİKKAT" gibi güvenlikle ilgili tüm uyarı sembollerini içeren bu Kullanım Kılavuzundaki tüm güvenlik talimatlarını okuyup anladığınızdan emin olun. Aşağıdaki talimatların tamamına uyulmaması elektrik çarpması, yangın ve/veya ciddi yaralanma ile sonuçlanabilir.

## SEMBOLÜN ANLAMI

**⚠ GÜVENLİK UYARISI SEMBOLÜ:** TEHLİKE, UYARI veya DİKKAT anlamına gelir ve diğer semboller veya resimlerle birlikte kullanılabilir.

## GÜVENLİK TALİMATLARI

Bu sayfada, bu ürün üzerinde görülebilecek güvenlik sembolleri gösterilmekte ve açıklanmaktadır. Makineyi monte etmeye ve kullanmaya başlamadan önce, makineye ilişkin tüm talimatları okuyup anlayın ve bu talimatlara uyun.



Güvenlik Uyarısı



Yaralanma riskini azaltmak için kullanıcı, kullanma kılavuzunu mutlaka okumalıdır.



Bu ürünü kullanırken daima kulak koruması kullanın.



Bu ürünü kullanırken daima göz koruması, yan siperleri olan koruyucu gözlük ya da tam yüz maskesi takın.



Çevredeki herkesi en az 15 metre uzakta tutun.



Garanti edilen ses gücü seviyesidir. Avrupa Birliği Yönetmeliği'ne göre çevre gürültü emisyonu.

TR



Atık elektrikli ürünler, evsel atıklar ile birlikte bertaraf edilmemelidir. Yetkili bir geri dönüşüm merkezine teslim edilmelidir.



Bu ürün, yürürlükteki AB yönetmeliklerine uygundur.



Doğru Akım



Birleşik Krallık Uygunluğu Değerlendirildi



Çalışan lambaya bakmayınız.



Bluetooth® Sembolü

IPX5

Su jetlerine karşı koruma

kg

Kilogram

B

Voltaaj

m<sup>3</sup>/h

Metre Küp/Saat

°C

Santigrat

m/s

Saniyede Metre

N

Newton

## TEKNİK ÖZELLİKLER

Voltaj	56 V
Maksimum Hava Hacmi	1870 m <sup>3</sup> /sa.
Maksimum Hava Hızı	85 m/sn.
Maksimum Üfleme Kuvveti	36 N
Bluetooth Çalışma Frekansı Bandı	2400-2438 MHz
Bluetooth Maksimum İletim Gücü	5 dBm
Ağırlık (akü hariç)	9,6 kg
Önerilen Çalışma Sıcaklığı	-15 °C - 40 °C
Tavsiye Edilen Depolama Sıcaklığı	-20 °C - 70 °C
Ölçülen ses güç düzeyi L <sub>WA</sub>	96 dB(A) K=1,4 dB(A)
Operatörün kulağındaki ses basıncı seviyesi L <sub>PA</sub>	83 dB(A) K=3 dB(A)
Garanti edilen ses gücü seviyesi L <sub>WA</sub> (2000/14/EC uyarınca ölçülen)	98 dB(A)
Titreşim a <sub>h</sub>	0,25 m/sn. <sup>2</sup> K=1,5 m/sn. <sup>2</sup>

- Beyan edilen toplam titreşim değeri standart bir test yöntemine göre ölçülmüştür ve bir ürünü değeri ile karşılaştırmak için kullanılabilir;
- Beyan edilen toplam titreşim değeri, maruz kalma seviyesinin ilk değerlendirmesi için de kullanılabilir.

**DİKKAT:** Elektrikli aletin fiili kullanımı sırasında oluşan titreşim emisyonu değeri aletin kullanım şekline bağlı olarak beyan edilen değerden farklı olabilir. Operatör korunmak için fiili kullanım koşullarında eldiven ve kulak koruması takmalıdır.

## AMBALAJ İÇERİĞİ (ŞEK. A1)

### AÇIKLAMA

#### ÜFLEYİCİNİZİ TANIYIN (ŞEK. A1)

1. Ayarlanabilir Destek Kemerli
2. Dik Depolama Tokası

3. Sırt Çantası Plakası
4. Kontrol Kolu
5. Konik Uç
6. Üfleyci Borusu
7. Boru Kelepçesi
8. Kontrol Kolu Borusu
9. Kontrol Kolu Kelepçesi
10. Körük Kelepçesi
11. Körük
12. Hava Girişi
13. Destek Kolu
14. Elektrik Kontakları
15. Mandal
16. Akü Çıkarma Düğmeleri
17. Tutma kolu
18. Hava Hızı Tetiği
19. Hız Kilit Düğmesi
20. LED Işık
21. LCD Ekran
22. LED Işık Düğmesi
23. Turbo Düğmesi
24. Hızlı Çıkarma Kolları
25. Bluetooth Göstergesi
26. Enerji Göstergesi
27. Fan Simgesi
28. Turbo Göstergesi
29. Hava Hızı Göstergesi
30. Hız Kilidi Simgesi
31. Akü Simgesi

## MONTAJ

**⚠ UYARI:** Hasarlı veya eksik parça varsa bu parçalar değiştirilinceye kadar ürünü çalıştırmayın. Bu ürünün hasarlı veya eksik parçalar ile kullanılması ciddi yaralanmalara yol açabilir.

**⚠ UYARI:** Bu ürün üzerinde değişiklik yapmaya veya bu üfleyci ile kullanılması önerilmeyen aksesuarlar oluşturmaya çalışmayın. Bu tür değişiklikler veya modifikasyonlar hatalı kullanımdır ve ciddi yaralanmalara neden olabilen tehlikeli bir duruma sebep olabilir.

**⚠ UYARI:** Ciddi yaralanmalara neden olabilen yanlışlıkla çalıştırmayı önlemek için parçaları monte

TR

ederken aküyü her zaman aletten çıkarın.

## ÜFLEYİCİ BORULARININ MONTAJI

### Kontrol Kolu Borusunu Körüklere Bağlama

1. Montaj kolaylığı için üfleyiciyi Şek. B1'de gösterildiği gibi destek kayışı yukarı bakacak şekilde yerleştirin.
2. Köruk kelepeçesinin bir tarafındaki iki vidayı gevşetin ve çıkarın, köruk kelepeçesini kısmen açın ancak körüğün kenarındaki tırnağın kelepeçedeki yuvaya tam olarak oturduğundan emin olun (Şek. B2).
3. Kontrol kolu borusunun arka ucunu, arka uç yüzeyi köruk kelepeçesi uç yüzeyi ile temas edene kadar körüğün içine yerleştirin (Şek. B3).
4. Kontrol kolu borusu körüğe düzgün bir şekilde bağlandığında köruk kelepeçesi tam olarak kapatılabilir. Köruk kelepeçesinin vidalarını sıkıca sıkın (Şek. B4).

B1-1	Destek Kemerli	B1-2	Köruk
B2-1	Vidalar	B2-2	Yuva
B2-3	Tırnak	B2-4	Köruk Kelepeçesi
B3-1	Kontrol Kolu Borusu	B3-2	Arka Uç
B3-3	Arka Uç Yüzeyi	B3-4	Köruklu Kelepeçe Uç Yüzeyi

### Üfleyici Borusunu Kontrol Kolu Borusuna Bağlama

1. Üfleyici borusuna takılı boru kelepeçesi tertibatından hızlı çıkarma kolunu ve kelebek somunu gevşetip çıkarın (Şek. C1).
2. Üfleyici borusundaki olukla kontrol kolu borusundaki dişi hizalayın, üfleyici borusunu kontrol kolu borusu üzerinde gidebildiği kadar kaydırın (Şek. C2).
3. Hızlı çıkarma kolunun pimini takın ve kolu boru kelepeçesine kapatın (Şek. C3).
4. Boru kelepeçesini yerine sabitlemek için kelebek somunu sıkın (Şek. C4).

C1-1	Üfleyici Borusu	C1-2	Boru Kelepeçesi
C1-3	Hızlı Çıkarma Kolu	C1-4	Kelebek Somunu
C2-1	Üfleyici Borunun Oluğu	C2-2	Kontrol Kolu Borusu Çıkıntısı

### Konik Ucu Üfleyici Borusuna Bağlama

1. Uçtaki oluğu borudaki mandalla hizalayın. Ucu, güvenli bir şekilde yerine oturana kadar borunun

üzerine itin (Şek. D1).

2. **Ucu çıkarmak için** uç çıkarma düğmesini basılı tutarak mandalı boşa alın, ardından ucu üfleyici borudan çekip çıkarın (Şek. D2).

D1-1	Uç Çıkarma Düğmesi	D1-2	Mandal
------	--------------------	------	--------

## ÇALIŞTIRMA

**UYARI:** Bu ürüne karşı edindiğiniz alışkanlığın sizi dikkatsiz yapmasına izin vermeyin. Bir anlık dikkatsizliğin ciddi yaralanmalara sebep olabileceğini unutmayın.

**UYARI:** Bu ürünün üreticisi tarafından önerilmeyen herhangi bir aparatı veya aksesuarı kullanmayın. Tavsiye edilmeyen aksesuarların veya aparatların kullanımı ciddi kişisel yaralanmalara sebep olabilir.

**UYARI:** Parçaları monte ederken, ayar yaparken, temizlik yaparken veya ürün kullanımda değilken aküyü her zaman üründen çıkarın. Akünün çıkarılması, ciddi yaralanmalara neden olabilen yanlışlıkla çalışmayı önler.

Her kullanımdan önce ürünü inceleyerek hasarlı, eksik veya vida, somun, cıvata, kapak vb. gevşek parça olup olmadığını kontrol edin. Tüm bağlantı parçalarını ve kapakları sıkın, bu ürünü eksik veya hasarlı parçalar değiştirilmeden çalıştırmayın.

## UYGULAMA

Bu ürünü aşağıda belirtilen amaçlar için kullanabilirsiniz:

- Çimlerden ve malç yataklarından yaprakların ve çeşitli bahçe kalıntılarının temizlenmesi.
- Araba yolları ve kaldırımlar gibi sert yüzeylerin temizlenmesi.
- Yüzey ve araba yollarının yapraklardan ve çam yapraklarından temizlenmesi.

**DİKKAT:** Bu alet sadece belirtilen kullanım amacına uygun kullanılmalıdır. Diğer kullanım şekilleri hatalı kullanım olarak kabul edilir.

## AKÜ TAKIMINI TAKMA/ÇIKARMA

Sadece Şek. A2'de listelenen EGO akülerini ve şarj cihazlarını kullanın.

Daha fazla ayrıntı için ilgili akü ve şarj cihazı kılavuzlarına bakın.

## İlk kullanımdan önce tamamen şarj edin.

**NOT:** En iyi performans için EGO 56V akü takımı BA3360T (6.0 Ah) veya daha yüksek Ah değerine sahip diğer EGO 56V akü takımlarının kullanılmasını öneririz.

Üfleyciyi, akü portu muhafazasının sol ve sağ tarafında iki aktif akü portuna sahiptir.

**NOT:** Üfleyciyi bir veya iki akü ile çalıştırabilirsiniz. İki akü kullandığınızda daha uzun çalışma süresi ve PEAK POWER™ teknolojisi tarafından yönetilen verimli güç tüketimi elde edersiniz.

Akü paketleri, sırt çantası plakasında 1 veya 2 ile işaretlenmiş ilgili akü bağlantı noktalarına takıldığında ve üfleyciyi açıldığında, ilgili akü simgesi LCD ekranda yanar (Şek. E1).

### Takmak için (Şek. E2)

Takmak için akü dişleri ile montaj yuvalarını hizalayın ve bir "tık" sesi duyana kadar aküyü bastırın. Diğer aküyü takın.

### Çıkarmak için

Akü çıkarma düğmesine basın ve aküyü çekip çıkarın.

**⚠ UYARI:** Akü çıkarma düğmesine basarken daima ayaklarınızın, çocukların veya evcil hayvanların konumuna dikkat edin. Akü düşerse ciddi yaralanmaya neden olabilir. Yüksek bir konumdayken aküyü ASLA çıkarmayın.

E1-1	Akü Portu Numarası	E1-2	LCD Ekran
E1-3	Akü Simgesi	E2-1	Akü Dişi
E2-2	Montaj Yuvası	E2-3	Akü Çıkarma Düğmesi

### SIRT TİPİ ÜFLEYİCİNİN KONUMLANDIRILMASI

**⚠ UYARI:** Bu makineyi kullanırken yaralanma riskini azaltmak için uygun şekilde giyinin. Bol giysiler giymeyin veya takı takmayın. Göz ve kulak/ışıtme koruması kullanın. Dayanıklı, uzun pantolon, eldiven ve bot giyin. Kısa pantolon, sandalet giymeyin veya çıplak ayakla dolaşmayın.

Sırt tipi üfleyciyi kullanmadan önce operatörün göz koruması taktığından, uygun kıyafet giydiğinizden ve güvenli ve dengeli bir duruş sergileyebildiğinizden emin olun.

### Destek Kemerini Ayarlamak İçin

1. Sırt çantası plakasının iki kayışını çekerek emniyet kemerinin sırt çantası plakasına güvenli bir şekilde bağlandığından emin olun (Şek. F1).
2. Gerekirse sırt ve bel yastıklarını konforunuza göre ayarlayın.
  - Omuz kayışlarını gevşetin, sırt yastıklarını Velcro'dan çıkarın ve yastıkları istediğiniz konuma getirin, ardından omuz kayışlarını çekerek yastıkları çantanıza sabitleyin (Şek. F2).

**NOT:** Sırt yastıklarındaki yatay çizgiler her iki yastığı aynı seviyede ayarlanmasına yardımcı olur.

- Bel yastığını Velcro'dan çıkarın ve yastığı istediğiniz konuma getirin (Şek. F3).
3. Üfleyciyi sırtınızda desteklemek için kollarınızı kemerdan geçirin. Göğüs kayışlarını geçici olarak rahat pozisyonlara ayarlayın ve kontrol kolunu tutarken sağ kolunuzun dirseğinin rahat olduğundan emin olun (Şek. F4).
  4. Bel tokasını takın ve bel kayışlarının uzunluğunu, kemerin beliniz tarafından güvenli bir şekilde desteklenmesini sağlayacak şekilde ayarlayın. Bel tokası zor takılıyorsa her iki taraftaki iki yan kayışı kolayca takip çıkarmayı sağlayacak şekilde ayarlayın (Şek. F5).

**NOT:** Kemer sırtınızda çok yukarıda durmamalı, omuzlarınızdan ziyade kalçalarınıza daha yakın konumlandırılmalıdır.

**⚠ UYARI:** Acil bir durum meydana geldiğinde, kemeri çıkarmak için hemen bel tokasını açın. Bu hızlı bir serbest bırakma yöntemidir.

5. Güvenlik ve konfor için göğüs kayışlarını yeniden ayarlayın. Sırt çantasının sırtınıza güvenli bir şekilde oturduğundan emin olun. Ağırlık bel kayışı tarafından desteklenmeli ve hareket ettiğinizde kemer de aşırı hareket etmemelidir (Şek. F6).
6. Kayışların fazladan uzunluğunu elastik içine yerleştirin (Şek. F7).
7. Güvenli kullanım için çeşitli ışık yansıtıcı şeritler bulunmaktadır. Çalışma sırasında ışık yansıtıcı şeritleri kapatmamaya dikkat edin (Şek. F8).
8. **Kemerini sırtınızdan çıkarmak için** kemer tokasına basarak çıkarmanız yeterlidir, ardından üfleyciyi indirebilirsiniz (Şek. F9).

F1-1	Kayışlar	F1-2	Sırt Çantası Plakası
F2-1	Omuz Kayışları	F2-2	Yatay Çizgiler
F3-1	Bel Yastığı	F4-1	Göğüs Kayışları
F5-1	Bel Kayışları	F5-2	Bel Tokası
F5-3	Yan Kayışlar	F7-1	Elastik
F7-2	Ekstra Kayış Uzunluğu	F8-1	Işık Yansıtıcı Şeritler

### Kontrol Kolunu Ayarlamak İçin

1. Kontrol kolunu gerektiği gibi ileri veya geri hareket

ettirmek için hızlı çıkarma kolunu bırakın (Şek. G1 ve G2) ve ardından tutma kolunu yerine sabitlemek için hızlı çıkarma kolunu bağlayın.

2. Ayrıca rahatlık sağlama için tutma kolunu gerektiği gibi döndürebilirsiniz (Şek. G3).

G1-1	Kontrol Kolu	G1-2	Hızlı Çıkarma Kolu
------	--------------	------	--------------------

## Kontrol Kolu Borusunun Uzunluğunu Ayarlamak İçin (Şek. H1, H2)

1. Hızlı çıkarma kolunu bırakın (Şek. H1).
2. Üfleyci borusunu ayar bölgesi içinde rahat bir çalışma konumuna getirin (Şek. H2).
3. Üfleyci borusunu yerine sabitlemek için hızlı çıkarma kolunu devreye alın (Şek. H2).

H1-1	Hızlı Çıkarma Kolu	H2-1	Üfleyci Borusu
H2-2	Ayar Bölgesi		

## ÜFLEYİCİYİ ÇALIŞTIRMA/DURDURMA

**NOT:** Akü takımının veya üfleycinin sıcaklığı -15°C veya daha düşükse üfleyci düzgün çalışmayabilir. Bu durumda akü takımını üfleyciden çıkarın, akü takımının ve üfleycinin iç mekanda 10 dakika veya daha uzun süre ısınmasını sağlayın. Akü takımını yeniden takıp tekrar deneyin.

## Hava Hızı Tetiği (Şek. I1, I2)

- Üfleyciyi açmak için hava hızı tetiğine basın, ardından LCD ekranda yakıt göstergesi, akü simgesi ve hava hızı göstergesi görüntülenir.

**NOT:** LCD ekrandaki yakıt göstergesinin 1 LED'i, akü şarjı azaldığında yanıp söner.

- Üfleycinin hava hızı tetiği, değişken hız tetiği ile kontrol edilir. Tetiğe daha fazla basıldığında daha üfleme hızı artar; tetiğe daha az basıldığında üfleme hızı azalır. Yapacağınız işe uygun şekilde hızı ayarlayın. İlgili hava hızı göstergesi, LCD ekranda görüntülenir.
- Üfleyciyi kapatmak için hava hızı tetiğini serbest bırakın. Tetik bırakıldıktan sonra belirli bir süre içinde LCD ekran kapanır.

**NOT:** 4 Ah değerinin altındaki bir akü takımı kullanıldığında, hava hızı yalnızca iki çubukla sınırlıdır.

## Turbo Modu

Hava hızı tetiği basılı tutulurken, hava akışını maksimum hız çıkarmak için turbo düğmesine basın (Şek. I1). LCD ekranda turbo göstergesi ve fan simgesi yanar (Şek. I3).

**NOT:** Turbo düğmesi bırakıldığında üfleyci önceki hıza

döner.

## Hız Kilidi Modu

Hız kilidi, hava hızı tetiğine sürekli basılmadan üfleyciyi çalıştırmak için kullanılabilir.

1. İsteddiğiniz hıza ulaşana kadar hava hızı tetiğine basın (Şek. I1).
2. Hız kilidi düğmesine basın. Hız kilidi simgesi LCD ekranda yanacaktır (Şek. I4).
3. Daha sonra hava hızı tetiğini bırakın, üfleyci "istenen" hızda çalışmaya devam eder.

**NOT:** Hız kilidi modundayken turbo butonuna basıldığında hava hızı maksimum seviyede kilitlenebilir. Turbo düğmesine bir kez daha bastığınızda üfleyci önceki hıza devam eder.

4. **Hız kilidini açmak için** hız kilidi düğmesine tekrar basın. Hız kilidi simgesi LCD ekrandan kaybolur ve fan kapanır.

I1-1	Turbo Düğmesi	I1-2	Hız Kilit Düğmesi
I1-3	Hava Hızı Tetiği	I2-1	Enerji Göstergesi
I2-2	Hava Hızı Göstergesi	I2-3	Akü Simgesi
I3-1	Fan Simgesi	I3-2	Turbo Göstergesi
I4-1	Hız Kilidi Simgesi		

## LED IŞIK (Şek. J)

Kontrol kolunun ön kısmında LED ışık yer almaktadır. Daha fazla görünürlük için aydınlatma sağlar.

Işığı açmak için LED ışık düğmesine bir kez basın, ışığı kapatmak için tekrar basın. Üfleycinin yaklaşık 5 dakika süreyle kullanılmaması durumunda otomatik olarak kapanır.

J-1	LED Işık Düğmesi	J-2	LED Işık
-----	------------------	-----	----------

## İLETİŞİM TEKNOLOJİSİ

Bağlantı talimatları da dahil olmak üzere tüm bağlantılı ürün ve hizmetlerimiz hakkında bilgi edinmek için lütfen aşağıdaki QR kodunu tarayın veya şu adresi ziyaret edin: [www.egopowerplus.eu/connect](http://www.egopowerplus.eu/connect).





## ÜFLEYİCİNİN KULLANILMASI İLE İLGİLİ İPUÇLARI

- Birikintilerin etrafa saçılmasını önlemek için birikintilerin dış kenarlarına üfleme yapın. Asla doğrudan birikintinin ortasına doğrudan üfleme yapın.
- Gürültü düzeyini azaltmak için, bir defada kullanılan ekipman sayısını sınırlı tutun.
- Üfleme öncesinde birikintileri gevşetmek için tırmık ve süpürge kullanın. Tozlu koşullarda, varsa suyla yüzeyleri hafifçe nemlendirin.
- Çocuklara, evcil hayvanlara, açık pencere veya yeni yıkamış araçlara dikkat edin ve birikintileri güvenli biçimde uzağa üfleyin.
- Üfleycileri veya diğer cihazları kullandıktan sonra temizleyin! Birikintilerin uygun şekilde bertaraf edilmesini sağlayın.

## BAKIM

**⚠ UYARI:** Bakım yaparken sadece orijinal yedek parçaları kullanın. Diğer parçaların kullanılması tehlike oluşturabilir veya ürünün hasar görmesine neden olabilir. Emniyet ve güvenilirliği sağlamak için tüm tamir işleri yetkili bir servis teknisyeni tarafından yapılmalıdır.

**⚠ UYARI:** Ciddi yaralanmaları önlemek için temizlik veya bakım işlemi gerçekleştirirken aküyü her zaman üründen çıkarın.

## GENEL BAKIM

Plastik parçaları temizlerken çözücü maddeler kullanmaktan kaçının. Çoğu plastik malzeme, çeşitli ticari çözücü türlerinden etkilenmeye yatkındır ve bu çözücü maddelerin kullanılması durumunda zarar görebilir. Kir, toz, yağ, gres, vb. gidermek için temiz bez kullanın.

**⚠ UYARI:** Fren sıvıları, benzin, petrol bazlı ürünler, içe işleyen yağlar gibi maddelerin plastik parçalara temas etmesine kesinlikle izin vermeyin. Kimyasal maddeler plastik parçalara hasar verebilir, bu tür parçaları zayıflatabilir veya parçalayabilir ve bu durum ciddi yaralanmalara neden olabilir.

**⚠ UYARI:** Kısa devre nedeniyle yangın, yaralanma ve ürün hasarı riskini azaltmak için makinenizi, akü takımını veya şarj cihazını asla sıvıya batırmayın veya içlerine sıvı akmasına izin vermeyin. Deniz suyu, bazı endüstriyel kimyasallar ve ağartıcı veya ağartıcı içeren ürünler gibi aşındırıcı veya iletken sıvılar kısa devreye neden olabilir.

## DEPOLAMA

- Akü paket(ler)ini üfleyciden çıkarın.

- Üfleycinin hava deliklerindeki tüm yabancı maddeleri temizleyin.
- Üfleme borusunu akü bağlantı noktası yuvasına takmak için dik depolama tokasını takın (Şek. K).
- Üfleyciyi çocukların ulaşamayacağı kapalı bir yerde saklayın. Bahçe kimyasalları ve eritici tuzlar gibi aşındırıcı maddelerden uzak tutun.

K-1 Dik Depolama Tokası

## ÇEVRE KORUMASI



Elektrikli cihazları, kullanılmış aküleri ve şarj cihazını evsel atıklarla bertaraf etmeyin! Bu ürünü yetkili bir geri dönüşüm merkezine götürün ve ayrı bir şekilde toplanmasını sağlayın. Elektrikli aletler çevreyle uyumlu bir geri dönüşüm tesisine götürülmelidir.

## SORUN GİDERME

SORUN	NEDENİ	ÇÖZÜM
Üfleyci çalışmıyor.	<ul style="list-style-type: none"><li>■ Aküyü üfleyciye takılı değildir.</li><li>■ Üfleyci ve akü arasında elektrik teması yoktur.</li><li>■ Akü takımının şarjı boşalmıştır.</li><li>■ Akü veya üfleyci çok sıcaktır.</li><li>■ Hasarlı hava hızı tetiği.</li><li>■ Akü takımı veya üfleyci çok soğuktur.</li></ul>	<ul style="list-style-type: none"><li>■ Aküyü üfleyciye takın.</li><li>■ Aküyü çıkarın, temas noktalarını kontrol edin ve aküyü yeniden takın.</li><li>■ Akü takımını şarj edin.</li><li>■ Aküyü ve üfleyciyi, sıcaklığı 67 °C'nin altına düşene kadar soğutun.</li><li>■ Tamir için EGO Müşteri Hizmetleri ile irtibata geçin.</li><li>■ Akü takımını çıkarın, akü takımının ve üfleycinin kapalı alanda ısınmasını sağlayın. Turbo modunu etkinleştirmeden, aküyü tam olarak şarj etmeniz ve üfleme makinesini düşük hızda çalıştırmanız önerilir.</li></ul>
Hava hızı tetiğine basıldığında LCD ekranda yalnızca alttaki iki hava hızı simgesi görüntülenir.	<ul style="list-style-type: none"><li>■ Düşük Ah akü takımı kullanıldı.</li></ul>	<ul style="list-style-type: none"><li>■ 4,0 veya daha yüksek Ah akü paketleri kullanın.</li></ul>
Hız kilidi modu açılıp kapatılamaz.	<ul style="list-style-type: none"><li>■ Hasarlı hız kilidi düğmesi.</li></ul>	<ul style="list-style-type: none"><li>■ Tamir için EGO Müşteri Hizmetleri ile irtibata geçin.</li></ul>
Hava hızı belirgin şekilde azalır.	<ul style="list-style-type: none"><li>■ Akü şarjı düşüktür.</li><li>■ Motor fanının aşırı aşınması.</li><li>■ Hava girişi birikintiler nedeniyle tıkanmıştır.</li></ul>	<ul style="list-style-type: none"><li>■ Akü takımını şarj edin.</li><li>■ Onarım için EGO servisine başvurun.</li><li>■ Akü paketini çıkarın, birikintileri temizleyin.</li></ul>
LCD ekran düzgün çalışmıyor.	<ul style="list-style-type: none"><li>■ LCD ekran veya kablo bağlantısı hasar görmüştür.</li></ul>	<ul style="list-style-type: none"><li>■ Onarım için EGO servisine başvurun.</li></ul>
LCD ekranda yakıt göstergesinin 1 LED'i yanıp sönüyor.	<ul style="list-style-type: none"><li>■ Akü şarjı düşüktür.</li></ul>	<ul style="list-style-type: none"><li>■ Akü takımını şarj edin.</li></ul>

TR

## GARANTİ

### EGO GARANTİ POLİTİKASI

EGO Garanti Politikasına ilişkin tüm hükümler ve koşullar için lütfen [egopowerplus.eu](http://egopowerplus.eu) adresindeki web sitesini ziyaret edin.

## LUGEGE LÄBI KÕIK JUHISED!



### LUGEGE KASUTUSJUHENDIT

**! HOIATUS:** Turvalisuse ja vastupidavuse tagamiseks peab kõiki parandustöid läbi viima kvalifitseeritud hooldustehnik.

## OHUTUSSÜMBOLID

Ohutussümbolite eesmärk on pöörata tähelepanu võimalikele ohtudele. Ohutussümbolitele ja nende juures olevatele seletustele tuleb korralikult tähelepanu pöörata ja need endale selgeks teha. Ohutussümbolid iseenesest ei kõrvalda ohtu. Nendega kaasnevad juhendid ja hoiatused ei asenda asjakohaseid õnnetuste ennetamise meetmeid.

**! HOIATUS:** Enne käesoleva masina kasutamist lugege kindlasti läbi ja tehke endale selgeks kõik kasutusjuhendis toodud ohutusjuhised, sh kõik ohutussümbolid, nagu „OHT“, „HOIATUS“ ja „ETTEVAATUST“. Kui allpool loetletud juhiseid ei järgita, võib tagajärjeks olla elektrilöök, tulekahju ja/või rasked kehavigastused.

## SÜMBOLITE TÄHENDUSED

**! OHUTUSSÜMBOL:** Sümboloid OHT, HOIATUS või ETTEVAATUST võidakse kasutada koos teiste sümbolite või piktogrammidega.

## OHUTUSJUHISED

Sel lehel on kujutatud ja kirjeldatud ohutussümboloid, mida võib käesolevalt tootelt leida. Enne, kui üritate masinat kokku panna ja kasutada, lugege, tehke omale selgeks ja järgige kõiki juhiseid.



Ohutusteade



Kasutage seadmega töötades alati kuulmiskaitset.



Ärge laske teistel isikutel tulla töötavale seadmele lähemale kui 15 meetrit.



Elektriseadmete jäätmeid ei tohi visata olmejäätmete hulka. Viige volitatud taaskäitleja juurde.



Alalisvool



Ärge vaadake töötava tule suunas.

IPX5 Kaitse veejugade eest

B Pinge

°C Celsius

N Njuuton



Vigastusohu vähendamiseks peab kasutaja enne toote kasutamist kasutusjuhendit lugema.



Kandke selle toote kasutamise ajal alati kaitseprille või külgkaitsmetega kaitseprille ja täielikku näokaitset.



Garanteeritud helivõimsuse tase. Seadme müra keskkonnas on Euroopa Ühenduse direktiiviga vastavuses.



Toode vastab kohaldatavatele EÜ direktiividele.



UKCA vastavusmargisega



Bluetooth®-i sümbol


kg Kilogramm

m<sup>3</sup>/h Kuupmeetrit tunnis

m/s Meetrit sekundis

ET

## TEHNILISED ANDMED

Pinge	56 V 
Maksimaalne õhumaht	1870 m <sup>3</sup> /h
Maksimaalne õhukiirus	85 m/s
Maksimaalne puhumisjõud	36 N
Bluetoothi töösagedusriba	2400-2438 MHz
Bluetoothi maksimaalne edastusvõimsus	5 dBm
Kaal (ilma akuplokita)	9,6 kg
Soovituslik töökeskkonna temperatuur	-15 °C kuni 40 °C
Soovituslik hoiustamise temperatuur	-20 °C kuni 70 °C
Mõõdetud helivõimsuse tase L <sub>WA</sub>	96 dB(A) K=1,4 dB(A)
Helirõhk seadme operaatori kõrva juures L <sub>PA</sub>	83 dB(A) K=3 dB(A)
Garanteeritud helivõimsuse tase L <sub>WA</sub> (mõõdetud vastavalt direktiivile 2000/14/EÜ)	98 dB(A)
Vibratsioon a <sub>n</sub>	0,25 m/s <sup>2</sup> K=1,5 m/s <sup>2</sup>

- Esitatud vibratsioonitaseme näit on mõõdetud standardsete testmeetodite kohaselt ja seda võib kasutada erinevate tööriistade võrdlemiseks;
- Esitatud vibratsioonitaseme näitu võib kasutada ka algse kokkupuutehinnangu andmiseks.

**MÄRKUS:** Tegelikul kasutamisel tekkev vibratsioonitase võib esitatust erineda; turvalisuse eesmärgil peaks seadme kasutaja tegelikes kasutustingimustes kandma kindaid ja kuulmiskaitsmeid.

ET

## PAKENDI LOEND (JONIS A1) KIRJELDUS

### TUNNE OMA PUHURIT (Joon. A1)

1. Reguleeritavad tugirakmed
2. Püstises asendis hoidmise kinnituspannal
3. Ranitsaplaat
4. Juhtkäepide

5. Koonusotsak
6. Puhuritoru
7. Toruklamber
8. Juhtkäepideme toru
9. Juhtkäepideme klamber
10. Löötsaklamber
11. Lööts
12. Õhu sissevõtuava
13. Abikäepide
14. Klemmid
15. Lukusti
16. Akuvabastusnupud
17. Käepide
18. Puhumiskiiruse päästik
19. Kiiruse lukustusnupp
20. LED-tuli
21. LCD-ekraan
22. LED-tule lüliti
23. Turbonupp
24. Kiirvabastushoovad
25. Bluetoothi indikaator
26. Kütusemõõdik
27. Ventilaatori ikoon
28. Turbokiiruse märgutuli
29. Õhukiiruse näidik
30. Kiiruse lukustuse ikoon
31. Aku ikoon

## KOKKUPANEK

**⚠ HOIATUS:** Kui mõni osa on kahjustatud või puudub, ärge kasutage toodet enne, kui see osa on asendatud. Kui kasutate kahjustatud või vajalike komponentideta seadet, võite saada raskeid vigastusi.

**⚠ HOIATUS:** Ärge üritage seadet ümber ehitada ega kasutada lisaseadmeid, mis pole mõeldud selle seadmega koos kasutamiseks. Kõik niisugused muudatused loetakse väärkasutuseks ja need võivad põhjustada ohtlikke olukordi, mis võivad lõppeda raskete vigastustega.

**⚠ HOIATUS:** Et vältida raskeid vigastusi põhjustada võivat juhuslikku käivitumist, eemaldage seadmeosade kokkupaneku ajaks alati akuplokk.

## PUHURITORUDE KOKKUPANEK

### Juhtkäepideme toru ühendamine lõõtsaga

- Mugavaks kokkupanekuks asetage puhur nii, et tugirakmed on suunatud ülespoole, nagu on näidatud joonisel B1.
- Lõdvendage ja eemaldage kaks kruvi lõõtsaklambril ühelt küljelt, avage lõõtsaklambril osaliselt, kuid veenduge, et lõõtsaklambril serval olev keel on täielikult lõõtsaklambris olevasse pilusse paigutatud (joonis B2).
- Sisestage juhtkäepideme toru tagumine ots lõõtsspessa, kuni tagumine otsapind puutub kokku lõõtsspessa klambri otsapinnaga (joonis B3).
- Kui juhtkäepideme toru on korralikult lõõtsaga ühendatud, saab lõõtsaklambril klambri täielikult sulgeda. Pingutage lõõtsaklambril kruvid kindlalt kinni (joonis B4).

B1-1	Tugirakmed	B1-2	Lõõts
B2-1	Kruvid	B2-2	Pesa
B2-3	Vabastussakk	B2-4	Lõõtsaklambril
B3-1	Juhtkäepideme toru	B3-2	Tagumine ots
B3-3	Tagumise otsa pind	B3-4	Lõõtsaklambril otsapind

### Puhuritoru ühendamine juhtkäepideme toruga

- Lõdvendage ja eemaldage puhuritoru külge kinnitatud toruklambriliste koostu kiirvabastushoob ja tiibmutter (joonis C1).
- Joondage puhuritoru soon juhtkäepideme torul oleva ribiga, libistage puhuritoru üle juhtkäepideme toru nii kaugele, kui see ulatub (joonis C2).
- Sisestage kiirvabastushoova tihvt ja sulgege hoob toruklambril (joonis C3).
- Pingutage tiibmutter, et kinnitada toruklambril oma kohale (joonis C4).

C1-1	Puhuritoru	C1-2	Toruklambril
C1-3	Kiirvabastushoob	C1-4	Tiibmutter
C2-1	Puhuritoru soon	C2-2	Juhtkäepideme toru ribi

### Koonusotsaku ühendamine puhuritoruga

- Joondage otsaku soon torul oleva lukustiga. Lükake

otsak üle toru, kuni see kindlalt kohale klõpsatab (Joonis D1).

- Otsaku eemaldamiseks vajutage otsaku vabastusnuppu ja hoidke seda all, et lukusti vabastada, seejärel tõmmake otsak otse puhuritoru küljest ära (Joonis D2).

D1-1	Otsaku vabastusnupp	D1-2	Lukusti
------	---------------------	------	---------

## SEADME KASUTAMINE

**⚠ HOIATUS:** Ärge muutuge toodet tundma õppides hooletuks. Pidage meeles, et raskeid vigastusi põhjustavaks õnnetuseks piisab ka sekundi murdosa pikkusest tähelepanematuses.

**⚠ HOIATUS:** Ärge kasutage lisaseadmeid või -tarvikuid, mida selle toote valmistaja pole soovitanud. Mittesoovitulike lisaseadmete või -tarvikute kasutamine võib põhjustada raskeid kehavigastusi.

**⚠ HOIATUS:** Seadme kokkupanemise, reguleerimise, puhastamise ja mittekasutamise ajaks tuleb akud alati eemaldada. Akude eemaldamine ennetab seadme juhuslikku käivitumist, millega võiksid kaasnedä raskeid kehavigastused.

Kontrollige enne iga kasutuskorda kogu toodet, et ei esineks kahjustunud, puuduvaid või lahtisi osi, nt kruve, mutreid, polte, korke vms. Kinnitage kindlalt kõik kinnitused ja korgid ning ärge kasutage toodet, kuni kõik puuduvad või kahjustatud osad on välja vahetatud.

## RAKENDUSALAD

Seda toodet võib kasutada allpool loetletud eesmärkidel:

- Lehtede ja mitmesuguse õueprahi koristamine murult ja multšipeenardest.
- Kõvade pindade, nt sõidu- ja kõnniteede, puhastamiseks.
- Kõnni- ja sõiduteede lehtedest ja männiokastest puhastamiseks.

**MÄRKUS:** Seadet tohib kasutada vaid käesolevas juhendis lubatud eesmärgil. Igasugust muud kasutust loetakse väärkasutuseks.

## AKUPLOKI PAIGALDAMINE/EEMALDAMINE

Kasutage ainult joonisel A2 esitatud EGO akuplokke ja laadureid.

Lisateavet leiate vastavatest akuplokkide ja laadijate kasutusjuhenditest.

ET

## Enne esmakasutamist laadige täielikult täis.

**MÄRKUS:** Suurema efektiivsuse saavutamiseks soovitage kasutada EGO 56V akut BA3360T (6,0 Ah) või muud EGO 56V akut, mille Ah väärtus on suurem.

Puhuril on kaks aktiivset akuporti, mis asuvad akupesade korpuse vasakul ja paremal küljel.

**MÄRKUS:** Puhur saab töötada ühe või kahe akuga. Kahe aku kasutamine tagab pikema tööaja ja tõhusa voolutarbimise, mida juhib PEAK POWER™-i tehnoloogia.

Kui akud sisestatakse vastavatesse akupesadesse, mis on seljakoti plaadil tähistatud 1 või 2-ga, ja puhur on sisse lülitatud, süttib LCD-ekraanil vastav aku ikoon (Joonis E1).

## Kinnitamiseks (Joonis E2)

Joondage aku ribad paigaldussoontega ja suruge akuplokki alla kuni kuulete „klõpsatust“. Kinnitage teine aku.

## Eemaldamine

Vajutage akuvabastusnuppu ja tõmmake akuplokk välja.

**⚠ HOIATUS:** Akuvabastusnuppu vajutades jälgige alati oma jalgade ning läheduses viibivate laste ja loomade asukohta. Aku kukkumine võib põhjustada raskeid vigastusi. Akut ei tohi KUNAGI eemaldada kõrges kohas viibides.

E1-1	Aku pordi number	E1-2	LCD-ekraan
E1-3	Aku ikoon	E2-1	Aku sakk
E2-2	Paigaldusava	E2-3	Akuvabastusnupp

## SELJASKANTAVA PUHURI PAIGUTAMINE

**⚠ HOIATUS:** Kandke sobivat rietust, et ennetada vigastuste ohtu masina kasutamisel. Ärge kandke kehast eemale hoidvaid ehteid ega riideid. Kandke nägemis- ja kuulmiskaitsevahendeid. Kandke tugevast materjalist pikki pükse, saapaid ja kindaid. Ärge kandke trimmeriga töötades lühikesi pükse ega sandaale ja ärge töötage paljajalu.

Enne seljakoti puhuri kasutamist veenduge, et kasutaja kannab kaitseprille ja korralikku rietust ning suudab hoida kindlat ja tasakaalustatud asendit.

## Tugirakmete reguleerimine

1. Tõmmake kahte seljakoti plaadi rihma, et veenduda, et rakmed on kindlalt seljakoti plaadi külge kinnitatud (joonis F1).
2. Reguleerige vajaduse korral selja- ja nimmepatju vastavalt oma mugavusele.

- Lõdvendage õlarihmasid, tõmmake seljapadjad takjaribast lahti ja viige padjad soovitud asendisse, seejärel tõmmake õlarihmasid nii, et kinnitada padjad vastavalt vajadusele (joonis F2).

**MÄRKUS:** Horisontaalsed jooned tagumistel padjadel aitavad mõlemat patja reguleerida samale tasemele.

- Tõmmake nimmepadi takjaribast lahti ja viige padi soovitud asendisse (joonis F3).

3. Lükake käed läbi seljakoti rihmade, et toetada puhurit oma seljas. Reguleerige rinnarihmad ajutiselt mugavasse asendisse ja veenduge, et teie parema käe küünarnukk on juhtimiskäepidemest kinni hoides mugav (joonis F4).
4. Kinnitage vöörihma lukud ja reguleerige vöörihma pikkust nii, et seljakott oleks kindlalt puusade poolt toetatud. Kui vöökohta lukk on raskesti klõpsatav, reguleerige mõlemal küljel olevaid kahte küljerihma, et see oleks lihtne (joonis F5).

**MÄRKUS:** Seljakott ei tohiks olla liiga kõrgel seljas; see peaks asetsema puusadele lähemal kui õlgadele.

**⚠ HOIATUS:** Hädaolukorras vabastage kohe vööpannal, et rakmed seljast ära võtta. See on kiirvabastuse meetod.

5. Turvalisuse ja mugavuse tagamiseks reguleerige rinnarihmad uuesti. Veenduge, et puhuri rakmed oleks teil kindlalt seljas, nii et vöörihm toetaks selle raskust ja et see liigselt ei liiguks, kui te liigutate (Joonis F6).
6. Sisestage rihmade ülelliigsed osad pandlasse (joonis F7).
7. Turvaliseks kasutamiseks on mitu valgust peegeldavat riba. Veenduge, et te ei kataks töö ajal valgust peegeldavaid ribasid (joonis F8).
8. **Selleks, et rakmed seljast lahti võtta**, vajutage lihtsalt vöökojaluku pannal lahti ja laske puhur alla (joonis F9).

F1-1	Rihmad	F1-2	Ranitsaplaat
F2-1	Õlarihmad	F2-2	Horisontaalsed jooned
F3-1	Nimmepadi	F4-1	Rinnarihmad
F5-1	Vöörihmad	F5-2	Vööklamber
F5-3	Külgrihmad	F7-1	Elastne
F7-2	Rihma liisapikkus	F8-1	Valgust peegeldavad ribad

### Juhtkäepideme reguleerimine

1. Vabastage kiirvabastushoob, et liigutada juhtkäepidest vastavalt vajadusele ette- või tahapoole (Joonised G1 ja G2) ja seejärel rakendage kiirvabastushoob, et käepide oma kohale kinnitada.
2. Võite käepidest vastavalt vajadusele keerata, et teil mugavam oleks (Joonis G3).

G1-1	Juhtkäepide	G1-2	Kiirvabastushoob
------	-------------	------	------------------

### Juhtkäepideme toru pikkuse reguleerimiseks (Joonised H1, H2)

1. Vabastage kiirvabastushoob (joonis H1).
2. Liigutage puhuritoru reguleerimistsoon mugavasse töoasendisse (Joonis H2).
3. Puhuritoru oma kohale kinnitamiseks rakendage kiirvabastushoob (Joonis H2).

H1-1	Kiirvabastushoob	H2-1	Puhuritoru
H2-2	Reguleerimistsoon		

### PUHURI KÄIVITAMINE/PEATAMINE

**MÄRKUS:** Kui aku või puhuri temperatuur on -15 °C või vähem, siis ei pruugi puhur korrektselt käivituda. Sellisel juhul eemaldage aku puhurist, laske akul ja puhuril 10 minutit või kauem siseruumides soojeneda. Paigaldage aku tagasi ja proovige uuesti.

### Õhukiiruse päästik (Joonised I1 ja I2)

- Masina sisselülitamiseks vajutage õhukiiruse päästikut, seejärel kuvatakse LED-ekraanile kütusenäidik, aku ikoon ja õhukiiruse näidik.

**MÄRKUS:** 1 LCD-ekraanil oleva kütusenäidiku LED vilgub, kui aku laetuse tase on madal.

- Puhuri puhumiskiirust juhitakse kiiruse muutmise päästikuga. Suurem päästikule avaldatav surve toob kaasa suurema puhumiskiiruse; väiksema päästikule avaldatava surve korral on ka puhumiskiirus väiksem. Reguleerige kiirus parajasti tehtava töö jaoks sobivaks. LCD-ekraanile kuvatakse vastav õhukiiruse märgutuli.
- Puhuri väljalülitamiseks vabastage puhumiskiiruse päästik. LCD-ekraanilülitub teatud aja jooksul pärast päästiku vabastamist välja.

**MÄRKUS:** Kui kasutatakse alla 4 Ah akut, on õhukiirust piiratud ainult kahe ribaga.

### Turborežiim

Kui õhukiiruse päästikut vajutatakse ja hoitakse, vajutage turbo nuppu, et suurendada õhuvoolu maksimaalse kiiruse (Joonis I1). LCD-ekraanil süttivad turbokiiruse märgutuli ja ventilaatori ikoon (Joonis I3).

**MÄRKUS:** Turbonupu vabastamisel naaseb puhur tagasi eelmisele kiirusele.

### Kiiruse lukustusrežiim

Kiiruse lukku saab kasutada puhuri juhtimiseks ilma õhukiiruse päästikut pidevalt vajutamata.

1. Vajutage õhukiiruse päästikut, kuni saavutate soovitud kiiruse (Joonis I1).
2. Vajutage kiiruse lukustusnuppu. LCD-ekraanil süttib kiirusluku ikoon (Joonis I4).
3. Vabastage õhukiiruse päästik, puhur töötab "lukustatud" kiirusel.

**MÄRKUS:** Kiiruse lukustusrežiimis turbo nupu vajutamine võib lukustada õhukiiruse maksimaalsele tasemele. Turbonupu vabastamisel, taastub puhuri eelnev puhumiskiirus.

4. **Kiiruseluku vabastamiseks** vajutage uuesti kiirusluku nuppu. Kiiruse lukustuse ikoon kaob LCD-ekraanilt ja puhur lülitub välja.

I1-1	Turbonupp	I1-2	Kiiruse lukustusnupp
I1-3	Puhumiskiiruse päästik	I2-1	Kütusemõõdik
I2-2	Õhukiiruse näidik	I2-3	Aku ikoon
I3-1	Ventilaatori ikoon	I3-2	Turbokiiruse märgutuli
I4-1	Kiiruse lukustuse ikoon		

### LED-TULI (Joonis J)

LED-tuli asub juhtkäepideme esiosas. See tagab parema nähtavuse.

Valguse sisselülitamiseks vajutage LED-tule nuppu üks kord, valguse väljalülitamiseks vajutage seda uuesti. Samuti lülitub see automaatselt välja, kui puhur on umbes 5 minutit mitteaktiivne.

J-1	LED-tule lülit	J-2	LED-tuli
-----	----------------	-----	----------

### SIDETEHNOLOOGIA

Et saada teavet või tutvuda kogu meie ühendatud toodete ja teenuste valikuga, sealhulgas ühendamisjuhistega,

ET

skannige allpool olev QR-kood või külastage veebilehte

[www.egopowerplus.eu/connect](http://www.egopowerplus.eu/connect).



## NÕUANDEID PUHURI KASUTAMISEKS

- Mustuse laiali pildumise vältimiseks puhuge prahihunniku välimisi ääri mööda. Ärge suunake õhuvoolu prahihunniku keskele.
- Mürataseme vähendamiseks ärge kasutage korraga väga paljusid seadmeid.
- Enne puhumist vabastage praht rehade või harjadega maa küljest. Tolmustes tingimustes niisutage vee olemasolul veidi pinda.
- Jälgige laste, loomade, avatud akende ja hiljuti pestud autode asukohta ning puhuge prahti ohutus suunas.
- Pärast puhurite ja teiste seadmete kasutamist koristage tööpiirkond! Kõrvaldage praht nõuetekohaselt.

## HOOLDUS

**⚠ HOIATUS:** Remontimisel kasutage vaid originaalvaruosi. Mis tahes muude osade kasutamine võib põhjustada ohtlikke olukordi või toodet vigastada. Turvalisuse ja vastupidavuse tagamiseks peab kõiki parandustöid läbi viima kvalifitseeritud hooldustehnik.

**⚠ HOIATUS:** Raskete kehavigastuste vältimiseks tuleb seadme puhastamise ja hooldamise ajaks alati aku seadmest eemaldada.

## ÜLDHOOLDUS

Vältige plastosade puhastamisel lahustite kasutamist. Enamik plastmaterjalidest on vastuvõtlikud müügil olevatest lahustitest tulenevatele kahjustustele. Kasutage mustuse, tolmu, õli, määrdet jms eemaldamiseks puhast lappi.

**⚠ HOIATUS:** Ärge kunagi laske pidurivedelikel, bensiinil, naftapõhistel toodetel, läbistavatel õlidel jne kokku puutuda plastosadega. Kemikaalid võivad plasti kahjustada, nõrgendada või hävitada, mille tagajärjeks võib olla raske kehavigastus.

**⚠ HOIATUS:** Tulekahju, kehavigastuste ja lühisest põhjustatud tootekahjustuste ohu vähendamiseks ärge kunagi kastke masinat, akuplokki või laadijat vedelikku ega laske vedelikul nende sisse voolata.

Söövitavad või juhtivad vedelikud, nagu merevesi, teatud tööstuskemikaalid, pleegitus- või valgendusaineid sisaldavad tooted jms võivad põhjustada lühiühenduse.

## HOIUSTAMINE

- Eemaldage puhurilt akuplokk.
- Eemaldage puhuri õhu sissevõtuavadest võõrkehade.
- Klõpsake püstises asendis hoidmise pannelil puhuritoru akupordi korpuse haagi külge (joonis K).
- Hoidke seadet suletud ruumis lastele kättesaamatu. Hoidke seadet eemal korrodeerivatest ainetest (nt aiakemikaalid ja jääsulatussoolad).

K-1 Püstises asendis hoidmise kinnituspannal

## KESKKONNAKAITSE



Ärge visake elektriseadmeid, kasutatud akut ega laadurit olmeprügi hulka! Viige toode volitatud taaskäitleja juurde ja võimaldage selle komponendid sorteerituna kõrvaldada. Elektritööriistad tuleb viia keskkonnakaitsenõudeid järgivasse jäätmekäitluskeskusesse.



## TÖRKEOTSING

PROBLEEM	PÕHJUS	LAHENDUS
Puhur ei tööta.	<ul style="list-style-type: none"> <li>■ Akuplokk pole puhuriga ühendatud.</li> <li>■ Puhuri ja aku vahel puudub elektriühendus.</li> <li>■ Aku on tühi.</li> <li>■ Akuplokk või puhur on liiga kuum.</li> <li>■ Õhukiiruse päästik.</li> <li>■ Aku või puhur on liiga külmad.</li> </ul>	<ul style="list-style-type: none"> <li>■ Kinnitage akuplokk puhuri külge.</li> <li>■ Eemaldage akuplokk, kontrollige ühendusi ja pange akuplokk tagasi.</li> <li>■ Laadige akut.</li> <li>■ Jahutage akuplokki ja puhurit, kuni temperatuur langeb alla 67 °C.</li> <li>■ Küsige abi EGO hoolduskeskusest.</li> <li>■ Eemaldage aku, laske akul ja puhuril siseruumides soojeneda. Soovitatakse aku täielikult laadida ja käivitada puhur madalal kiirusel ilma turborežiimi aktiveerimata.</li> </ul>
Kui vajutada õhukiiruse päästikut, kuvatakse LCD-ekraanil ainult kaks alumist õhukiiruse ikooni.	<ul style="list-style-type: none"> <li>■ Aku laetuse tase on madal.</li> </ul>	<ul style="list-style-type: none"> <li>■ Kasutage 4,0 Ah või suuremat akut.</li> </ul>
Kiiruse lukustusrežiimi ei saa sisse ega välja lülitada.	<ul style="list-style-type: none"> <li>■ Kahjustatud kiiruse lukustusnupp.</li> </ul>	<ul style="list-style-type: none"> <li>■ Küsige abi EGO hoolduskeskusest.</li> </ul>
Õhukiirus väheneb märgatavalt.	<ul style="list-style-type: none"> <li>■ Aku laetuse tase on liiga madal.</li> <li>■ Mootori ventilaatori liigne kulumine.</li> <li>■ Õhu sisselaskeava on ummistunud.</li> </ul>	<ul style="list-style-type: none"> <li>■ Laadige akut.</li> <li>■ Remondi teostamiseks võtke ühendust EGO hoolduskeskusega.</li> <li>■ Eemaldage akuplokk ja seejärel eemaldage mustus.</li> </ul>
LCD ekraan ei tööta korralikult.	<ul style="list-style-type: none"> <li>■ LCD-ekraan või juhtmeühendus on kahjustatud.</li> </ul>	<ul style="list-style-type: none"> <li>■ Remondi teostamiseks võtke ühendust EGO hoolduskeskusega.</li> </ul>
1 LCD-ekraanil oleva kütusenäidiku LED vilgub.	<ul style="list-style-type: none"> <li>■ Aku laetuse tase on liiga madal.</li> </ul>	<ul style="list-style-type: none"> <li>■ Laadige akut.</li> </ul>

ET

## GARANTII

### EGO GARANTIIPÕHIMÕTTED

EGO garantiipoliitika täielike tingimuste vaatamiseks külastage veebisaiti [egopowerplus.eu](http://egopowerplus.eu).

## ПРОЧИТАЙТЕ ВСІ ІНСТРУКЦІЇ!



ПРОЧИТАЙТЕ ПОСІБНИК З ЕКСПЛУАТАЦІЇ

**⚠ ПОПЕРЕДЖЕННЯ.** Для гарантування безпеки та надійності всі ремонтні роботи повинен проводити кваліфікований технічний спеціаліст.

## СИМВОЛИ, ЩО СТОСУЮТЬСЯ БЕЗПЕКИ

Мета символів, пов'язаних із безпекою, – привернути вашу увагу до можливих небезпек. Символи безпеки та їхнє пояснення заслуговують на вашу пильну увагу та розуміння. Символи попереджень самі по собі не усувають будь-якої небезпеки. Інструкції та попередження, які вони надають, не замінюють належних заходів щодо запобігання аваріям.

**⚠ ПОПЕРЕДЖЕННЯ.** Перш ніж користуватися цією машиною, обов'язково ознайомтеся з усіма інструкціями з безпеки, наведеними в цьому посібнику користувача, зокрема з усіма символами попереджень, такими як «**НЕБЕЗПЕКА**», «**ПОПЕРЕДЖЕННЯ**» та «**ЗАСТЕРЕЖЕННЯ**». Недотримання наведених нижче вказівок може спричинити ураження електричним струмом, пожежу та/або серйозні травми.

## ЗНАЧЕННЯ СИМВОЛУ

**⚠ СИМВОЛ ПОПЕРЕДЖЕННЯ ЩОДО БЕЗПЕКИ:** Вказує на **НЕБЕЗПЕКУ, ПОПЕРЕДЖЕННЯ** або **ЗАСТЕРЕЖЕННЯ**. Може використовуватися разом з іншими символами або піктограмами.

## ПРАВИЛА ТЕХНІКИ БЕЗПЕКИ

На цій сторінці зображено та описано символи, пов'язані з безпекою, які можуть відобразитися на цьому виробі. Перш ніж намагатися зібрати та експлуатувати його, ознайомтеся з усіма інструкціями на інструменті та дотримуйтеся їх.



Попередження щодо безпеки



Під час роботи з цим виробом завжди використовуйте засоби захисту органів слуху.



Тримайте сторонніх не ближче як за 15 метрів.



Відходи електричних виробів не слід викидати разом із побутовим сміттям. Зверніться до авторизованого пункту переробки.



Постійний струм



Не дивіться на лампу, що працює.

IPX5

Захист від водяних струменів

V

Напруга



З метою зменшення ризику отримання травм користувач повинен прочитати посібник з експлуатації.



Працюючи з цим виробом, завжди носіть закриті захисні окуляри чи відкриті захисні окуляри з бічними щитками або повнопрофільну захисну маску.



Гарантований рівень звукової потужності. Розповсюдження шуму в навколишнє середовище згідно з директивою Європейського співтовариства.



Цей виріб відповідає чинним директивам ЄС.



Оцінка відповідності у Великобританії



Символ Bluetooth®

кг

Кілограми

м3/год

Кубічний метр на годину

UK

°C Градуси Цельсія  
Н Ньютон

м/с Метр на секунду

## ТЕХНІЧНІ ХАРАКТЕРИСТИКИ

Напруга	56 В
Максимальний об'єм повітря	1870 м <sup>3</sup> /год
Максимальна швидкість повітря	85 м/с
Максимальна сила видування	36 Н
Діапазон робочих частот Bluetooth	2400–2438 МГц
Максимальна потужність передачі	5 дБм
Вага (без акумулятора)	9,6 кг
Діапазон рекомендованих робочих температур	-15 °C ... +40 °C
Діапазон рекомендованих температур зберігання	-20 °C ... +70 °C
Вимірний рівень звукової потужності L <sub>WA</sub>	96 дБ(А) K=1,4 дБ(А)
Рівень звукового тиску на місці вуха оператора L <sub>PA</sub>	83 дБ(А) K=3 дБ(А)
Гарантований рівень звукової потужності L <sub>WA</sub> (відповідно до стандарту 2000/14/ЕС)	98 дБ(А)
Вібрація a <sub>n</sub>	0,25 м/с <sup>2</sup> K=1,5 м/с <sup>2</sup>

- Вказане загальне значення вібрації виміряне за стандартним методом тестування і може використовуватися для порівняння одного інструмента з іншим;
- Заявлене сумарне значення вібрації може також використовуватись для попередньої оцінки впливу.

**ПРИМІТКА.** Емісія вібрації під час фактичного використання електроінструмента може відрізнятися від заявленої величини, у якій використовується інструмент. Щоб захистити оператора, користувач повинен одягати рукавички та захисні навушники в реальних умовах використання.

## ПАКУВАЛЬНИЙ СПИСОК (РИС. А1)

### ОПИС

#### ОЗНАЙОМЛЕННЯ З ПОВІТРОДУВКОЮ (рис. А1)

1. Регульовані підвісні ремені
2. Пряжка для зберігання у вертикальному положенні
3. Наплічна пластина
4. Ручка керування
5. Конічна насадка
6. Трубка повітродувки
7. Затискач трубки
8. Трубка ручки керування
9. Затискач ручки керування
10. Затискач сильфона
11. Сильфон
12. Отвір для входу повітря
13. Допоміжна ручка
14. Електричні контакти
15. Засувка
16. Кнопки звільнення акумулятора
17. Ручка
18. Тригер швидкості повітря
19. Кнопка блокування швидкості
20. Світлодіодний індикатор
21. РК-екран
22. Кнопка світлодіодного ліхтаря
23. Кнопка «Турбо»
24. Важелі ексцентрика
25. Індикатор Bluetooth
26. Показчик рівня палива
27. Значок вентилятора
28. Індикатор «Турбо»
29. Індикатор швидкості повітря
30. Значок блокування швидкості
31. Значок акумулятора

UK

## ЗБИРАННЯ

**⚠ ПОПЕРЕДЖЕННЯ.** Якщо якісь частини пошкоджені або відсутні, не користуйтеся цим інструментом, доки вони не будуть замінені. Використання цього виробу з пошкодженими або відсутніми деталями може призвести до серйозних травм.

**⚠ ПОПЕРЕДЖЕННЯ.** Не намагайтеся вдосконалити цю повітродувку або застосувати приладдя, не рекомендоване для неї. Кожна така заміна чи переробка є фактом неправильного користування, створює небезпечні умови й загрожує серйозними травмами.

**⚠ ПОПЕРЕДЖЕННЯ.** Щоб запобігти випадковому запуску, що може спричинити серйозні травми, завжди виймайте акумулятори з інструмента під час встановлення деталей.

## УСТАНОВЛЕННЯ ТРУБОК ПОВІТРОДУВКИ

### Під'єднання трубки ручки керування до сильфонів

1. Для зручності збирання розмістіть повітродувку підвісним ременем догори, як показано на рис. В1.
2. Відкрутіть і вийміть два гвинти з одного боку затискача сильфона, частково відкрийте затискач сильфона, але переконайтеся, що виступ на ободі сильфона повністю увійшов у паз затискача (рис. В2).
3. Вставте задній кінець трубки ручки керування в сильфон так, щоб задня торцева поверхня контактувала з торцевою поверхнею затискача сильфона (рис. В3).
4. Затискач сильфона може бути повністю закритий, коли трубка ручки керування приєднана до сильфона належним чином. Надійно затягніть гвинти затискача сильфона (рис. В4).

**UK**

В1-1	Підвісний ремінь	В1-2	Сильфон
В2-1	Гвинти	В2-2	Отвір
В2-3	Виступ	В2-4	Затискач сильфона
В3-1	Трубка ручки керування	В3-2	Задня частина
В3-3	Задня торцева поверхня	В3-4	Торцева поверхня затискача сильфона

### Під'єднання трубки повітродувки до трубки ручки керування

1. Послабте та зніміть важіль швидкого звільнення та гайку-баранець із затискача трубки в зборі, прикріпленого до трубки повітродувки (рис. С1).
2. Сумістіть канавку на трубці повітродувки з ребром на трубці ручки керування, надягніть трубку повітродувки на трубку ручки керування до упору (рис. С2).
3. Вставте штифт важеля швидкого звільнення та закрийте важіль на затискачі трубки (рис. С3).
4. Затягніть гайку-баранець, щоб закріпити затискач трубки (рис. С4).

С1-1	Трубка повітродувки	С1-2	Затискач трубки
С1-3	Важіль швидкого звільнення	С1-4	Гайка-баранець
С2-1	Канавка трубки повітродувки	С2-2	Виступ трубки ручки керування

### Під'єднання кінцевої насадки до трубки повітродувки

1. Сумістіть канавку на насадці із засувкою на трубці. Насуньте насадку на трубку так, щоб вона надійно зафіксувалася на місці (рис. D1).
2. Для зняття насадки натисніть і утримуйте кнопку відпускання сопла, щоб відкрити фіксатор, потім витягніть насадку прямо з трубки повітродувки (рис. D2).

D1-1	Кнопка звільнення наконечника	D1-2	Засувка
------	-------------------------------	------	---------

## ЕКСПЛУАТАЦІЯ

**⚠ ПОПЕРЕДЖЕННЯ.** Знання виробу не має робити вас недбалим. Пам'ятайте, що півсекунди неухважності досить для серйозної травми.

**⚠ ПОПЕРЕДЖЕННЯ.** Не використовуйте приладдя чи насадки, не рекомендовані виробником цього пристрою. Використання нерекондованого приладдя чи насадок може призвести до серйозних травм.

**⚠ ПОПЕРЕДЖЕННЯ.** Завжди виймайте акумулятори з виробу, коли збираєте деталі, виконуєте регулювання, очищення, або коли виріб не

використовується. Виймання акумуляторів запобігає випадковому запуску, що може спричинити серйозні травми.

Перед кожним використанням перевіряйте весь виріб на предмет пошкоджень, відсутності або послаблення деталей, таких як гвинти, гайки, болти, кришки тощо. Закріпіть усі затискачі та ковпачки і не використовуйте цей прилад, доки не будуть замінені всі відсутні або пошкоджені деталі.

### ЗАСТОСУВАННЯ

Ви можете використовувати цей виріб для цілей, перелічених нижче:

- Прибирання листя та іншого дворового сміття з газонів і мульчувальних грядок.
- Очищення твердих поверхонь, таких як під'їзні шляхи та пішохідні доріжки.
- Прибирання листя та хвої з під'їзних шляхів і настилів.

**ПРИМІТКА.** Цей інструмент має використовуватись тільки за призначенням. Будь-яке інше використання вважається випадком використання не за призначенням.

### УСТАНОВЛЕННЯ І ВИДАЛЕННЯ АКУМУЛЯТОРА

Використовуйте лише акумулятори та зарядні пристрої EGO, перелічені на рис. A2.

Щоб отримати додаткові відомості, див. інструкції відповідних акумуляторів і зарядних пристроїв.

**Повністю зарядіть перед першим використанням.**

**ПРИМІТКА.** Для найкращої продуктивності ми рекомендуємо використовувати акумуляторну батарею EGO BA3360T з напругою 56 В (6,0 А•год) або інші акумуляторні батареї EGO на 56 В з більшою ємністю (А•год).

Повітродувка має два активні акумуляторні порти, розташовані з лівої та правої сторони корпусу акумуляторного порту.

**ПРИМІТКА.** Повітродувка може працювати від одного або двох акумуляторів. Використання двох акумуляторів забезпечує триваліший час роботи та ефективне енергоспоживання під керуванням технології PEAK POWER™.

Коли акумуляторні батареї вставлені у відповідні порти, позначені цифрами 1 або 2 на пластині рюкзака, і повітродувка ввімкнена, на РК-дисплеї загориться відповідний значок акумулятора (рис. E1).

### Присіднання (рис. E2)

Вирівняйте виступи на акумуляторі з кріпильними отворами та натисніть на акумуляторну батарею, доки не почуєте «кляцання». Прикріпіть іншу батарею.

### Видалення

Натисніть кнопку звільнення акумулятора та витягніть акумуляторну батарею.

**⚠ ПОПЕРЕДЖЕННЯ.** Завжди звертайте увагу на розташування своїх ніг, дітей або домашніх тварин, коли натискаєте кнопку звільнення батареї. Падіння акумулятора може призвести до серйозної травми. НІКОЛИ не виймайте акумулятор у високо розташованому місці.

E1-1	Кількість портів для акумуляторів	E1-2	РК-екран
E1-3	Значок акумулятора	E2-1	Виступ акумулятора
E2-2	Кріпильний отвір	E2-3	Кнопка звільнення акумулятора

### РОЗМІЩЕННЯ НАПЛІЧНОЇ ПОВІТРОДУВКИ

**⚠ ПОПЕРЕДЖЕННЯ.** Одягайтеся правильно, щоб зменшити ризик травми під час роботи з цією машиною. Не носіть вільного одягу або прикрас. Одягайте захисні окуляри та навушники. Носіть важкі, довгі штани, міцне взуття та рукавички. Не носіть шорти, сандалі, не працюйте босоніж.

Перед використанням ранцевої повітродувки переконайтеся, що оператор має захисні окуляри та відповідний одяг, а також може міцно стояти на ногах і зберігати рівновагу.

### Регулювання підвісних ременів

1. Потягніть за дві лямки пластини рюкзака, щоб переконатися, що ремені надійно прикріплені до пластини рюкзака (рис. F1).
2. За необхідності відрегулюйте спинку та поперекову підкладку для комфорту, якщо це необхідно.

- Ослабте плечові лямки, зніміть спинні накладки з липучок і перемістіть накладки в потрібне вам положення, потім потягніть за плечові лямки, щоб закріпити накладки на рюкзаку (рис. F2).

**ПРИМІТКА.** Горизонтальні лінії на задніх накладках допомагають регулювати обидві накладки на одному рівні.

- Зніміть поперекову підкладку з липучок і перемістіть

підкладку в потрібне положення (рис. F3).

3. Просуньте руки через ремінь, щоб тримати повітродувку на спині. Тимчасово відрегулюйте нагрудні лямки в зручне положення, переконавшись, що лікоть правої руки зручно лежить на ручці керування (рис. F4).
4. Застебніть поясну пряжку й відрегулюйте довжину поясних лямок так, щоб пояс надійно тримався на талії. Якщо поясна пряжка важко застібається, відрегулюйте дві бічні лямки з обох боків, щоб полегшити її застібання (рис. F5).

**ПРИМІТКА.** Ремінь не має сидіти надто високо на спині; його слід розташувати ближче до стегон, ніж до плечей.

**⚠ ПОПЕРЕДЖЕННЯ.** У разі виникнення надзвичайної ситуації негайно розстебніть поясну пряжку, щоб зняти ремінь. Це спосіб швидкого вивільнення.

5. Відрегулюйте нагрудні лямки для безпеки та комфорту. Переконайтеся, що ремінь надійно сидить на спині, при цьому вага підтримується поясною лямкою, і без надмірного руху, коли ви рухаєтеся (рис. F6).
6. Вставте зайву довжину лямок у резинку (рис. F7).
7. Для безпечної роботи є кілька світловідбивних смуг. Стежте за тим, щоб не закривати світловідбивні смуги під час роботи (рис. F8).
8. **Щоб зняти ремінь зі спини,** просто натисніть на поясну пряжку, щоб розстебнути її та опустити повітродувку (рис. F9).

F1-1	Лямки	F1-2	Наплічна пластина
F2-1	Плечові лямки	F2-2	Горизонтальні лінії
F3-1	Поперекова підкладка	F4-1	Нагрудні лямки
F5-1	Поясні лямки	F5-2	Поясна пряжка
F5-3	Бічні лямки	F7-1	Резинка
F7-2	Додаткова довжина лямок	F8-1	Світловідбивні смуги

## Регулювання ручки керування

1. Відпустіть важіль швидкого звільнення, щоб перемістити ручку керування вперед або назад у міру необхідності (рис. G1 і G2), а потім закрийте важіль швидкого звільнення, щоб зафіксувати ручку керування на місці.

2. Ви також можете обертати рукоятку, як це потрібно для зручності (рис. G3).

G1-1	Ручка керування	G1-2	Важіль швидкого звільнення
------	-----------------	------	----------------------------

## Регулювання довжини трубки ручки керування (Рис. H1, H2)

1. Відпустіть важіль ексцентрика (рис. H1).
2. Перемістіть трубку повітродувки в зручне робоче положення в зоні регулювання (рис. H2).
3. Закрийте важіль ексцентрика, щоб зафіксувати трубку повітродувки на місці (рис. H2).

H1-1	Важіль швидкого звільнення	H2-1	Трубка повітродувки
H2-2	Зона регулювання		

## ЗАПУСК/ЗУПИНКА ПОВІТРОДУВКИ

**ПРИМІТКА.** Повітродувка може не запуститися належним чином, якщо температура акумуляторної батареї або повітродувки становить  $-15^{\circ}\text{C}$  або нижче. У такому разі вийміть акумуляторну батарею з повітродувки, дайте акумуляторній батареї та повітродувці прогрітися в приміщенні протягом 10 хвилин або довше. Установіть акумуляторну батарею та спробуйте знову.

## Тригер швидкості повітря (рис. I1, I2)

- Натисніть тригер швидкості повітря, щоб увімкнути повітродувку, після чого на РК-екрані з'явиться індикатор рівня палива, значок акумулятора та індикатор швидкості повітря.

**ПРИМІТКА.** 1 світлодіод покажчика рівня палива на РК-дисплеї блимає, коли акумулятор розряджений.

- Швидкість повітря з повітродувки регулюється за допомогою тригера зі змінною швидкістю. Більший тиск на тригер підвищує швидкість подачі повітря; менший тиск на тригер знижує швидкості подачі повітря. Відрегулюйте швидкість відповідно до поставленого завдання. На РК-екрані з'явиться відповідний індикатор швидкості повітря.
- Відпустіть тригер швидкості повітря, щоб вимкнути повітродувку. РК-екран вимкнеться протягом певного часу після відпускання тригера.

**ПРИМІТКА.** Якщо використовується акумуляторна батарея ємністю менше ніж 4 А·год, швидкість потоку повітря обмежується лише двома смугами.

### Режим «Турбо»

Утримуючи тригер швидкості повітря натиснутим, натисніть кнопку «Турбо», щоб збільшити швидкість потоку повітря до максимальної (рис. I1). На РК-екрані загориться індикатор турборежиму та значок вентилятора (рис. I3).

**ПРИМІТКА.** Повітродувка повернеться до попередньої швидкості після відпускання кнопки турборежиму.

### Режим блокування швидкості

Блокування швидкості можна використовувати для роботи повітродувки без постійного натискання на тригер швидкості повітря.

1. Натискайте тригер швидкості повітря, доки не досягнете бажаної швидкості (Fig. I1).
2. Натисніть кнопку блокування швидкості. На РК-екрані засвітиться значок блокування швидкості (рис. I4).
3. Потім відпустіть тригер швидкості повітря, повітродувка продовжить працювати на «бажаній» швидкості.

**ПРИМІТКА.** Натискання кнопки «Турбо» в режимі блокування швидкості може заблокувати швидкість повітря на максимальному рівні. Повітродувка відновить попередню швидкість, якщо ще раз натиснути кнопку «Турбо».

4. **Щоб зняти блокування швидкості,** натисніть кнопку блокування швидкості ще раз. Значок блокування швидкості зникне з РК-екрана, і повітродувка вимкнеться.

I1-1	Кнопка «Турбо»	I1-2	Кнопка блокування швидкості
I1-3	Тригер швидкості повітря	I2-1	Показчик рівня палива
I2-2	Індикатор швидкості повітря	I2-3	Значок акумулятора
I3-1	Значок вентилятора	I3-2	Індикатор «Турбо»
I4-1	Значок блокування швидкості		

### СВІТЛОДІОДНА ЛАМПА (рис. J)

Світлодіодна лампа розташована в передній частині ручки керування. Вона забезпечує освітлення для кращої видимості.

Натисніть кнопку світлодіодного освітлення один раз, щоб увімкнути світло, натисніть її ще раз, щоб вимкнути світло. Вона також автоматично вимкнеться приблизно після 5 хвилин бездіяльності повітродувки.

J-1	Кнопка світлодіодного ліхтаря	J-2	Світлодіодний індикатор
-----	-------------------------------	-----	-------------------------

### КОМУНІКАЦІЙНА ТЕХНОЛОГІЯ

Щоб отримати інформацію про весь спектр наших підключених продуктів і послуг, зокрема вказівки щодо підключення, відскануйте QR-код нижче або відвідайте вебсайт

[www.egopowerplus.eu/connect](http://www.egopowerplus.eu/connect).



### ПОРАДИ З ВИКОРИСТАННЯ ПОВІТРОДУВКИ

- Щоб уникнути розсіпання сміття, обдувайте навколо зовнішніх країв купи сміття. Ніколи не дуйте прямо в центр купи.
- Щоб зменшити рівні шуму, обмежте кількість одиниць обладнання, яке використовується одночасно.
- Використовуйте граблі та мітли, щоб сміття легко відставало від землі, перед вдуванням. У пильних умовах, якщо доступна вода, злегка змочіть поверхню.
- Стежте за дітьми, домашніми тваринами, відкритими вікнами чи свіжопомитими автомобілями та вдувайте сміття безпечно.
- Після використання повітродувки або іншого обладнання прибирайте! Викачайте сміття належним чином.

### ОБСЛУГОВУВАННЯ

**⚠ ПОПЕРЕДЖЕННЯ.** Використовуйте для технічного обслуговування лише ідентичні запчастини. Використання будь-яких інших частин створює небезпеку або може призвести до поломки виробу. Для гарантування безпеки та надійності всі ремонтні роботи повинен проводити кваліфікований технічний спеціаліст.

**⚠ ПОПЕРЕДЖЕННЯ.** Щоб уникнути серйозних

UK

травм, завжди виймайте акумулятор із виробу, перш ніж очистити або виконувати будь-яке технічне обслуговування.

## ЗАГАЛЬНИЙ ТЕХНІЧНИЙ ДОГЛЯД

Не використовуйте розчинники для очищення пластмасових деталей. Більшість пластмас чутливі до різноманітних промислових розчинників і можуть бути ними пошкоджені. Для видалення бруду, пилу, мастила тощо користуйтеся чистою ганчіркою.

**⚠ ПОПЕРЕДЖЕННЯ.** Ніколи не допускайте контакту пластмасових частин із гальмівною рідиною, бензином, нафтопродуктами, проникаючими оліями і т. ін. Хімікати можуть пошкодити, ослабити або зруйнувати пластмасу, а це загрожує серйозними травмами.

**⚠ ПОПЕРЕДЖЕННЯ.** Щоб зменшити ризик пожежі, травмування та пошкодження виробу через коротке замикання, ніколи не занурюйте пристрій, акумулятор або зарядний пристрій у рідину та не допускайте потрапляння рідини всередину. Корозійні або струмопровідні рідини, такі як морська вода, деякі промислові хімікати, відбілювач або продукти, що містять відбілювач тощо, можуть спричинити коротке замикання.

## ЗБЕРІГАННЯ

- Вийміть акумуляторну батарею(-і) з повітродувки.
- Прибирайте всі сторонні матеріали з повітрязабірних отворів повітродувки.
- Зафіксуйте пряжку для вертикального зберігання, щоб зачепити трубку повітродувки за корпус батарейного відсіку (рис. К).
- Зберігайте в замкнутому місці, недоступному для дітей. Тримайте подалі корозійні агенти, такі як садові хімікати та солі проти ожеледі.

К-1	Пряжка для зберігання у вертикальному положенні
-----	---

UK

## ЗАХИСТ ДОВКІЛЛЯ



Не викидайте електричне обладнання, акумулятор і зарядний пристрій у побутові відходи! Віднесіть цей виріб авторизованому переробнику й надайте його для роздільного збирання.

Електроінструменти необхідно повернути в підприємство, що займається екологічно безпечною переробкою.



## УСУНЕННЯ НЕСПРАВНОСТЕЙ

НЕСПРАВНІСТЬ	ПРИЧИНА	ВИРІШЕННЯ
Повітрорудка не працює.	<ul style="list-style-type: none"> <li>■ Акумуляторна батарея не приєднана до повітрорудки.</li> <li>■ Немає електричного контакту між повітрорудкою та акумулятором.</li> <li>■ Акумуляторна батарея розряджена.</li> <li>■ Акумулятор або повітрорудка занадто гарячі.</li> <li>■ Пошкоджений тригер швидкості повітря.</li> <li>■ Акумуляторна батарея або повітрорудка занадто холодні.</li> </ul>	<ul style="list-style-type: none"> <li>■ Під'єднайте акумулятор до повітрорудки.</li> <li>■ Вийміть акумуляторну батарею, перевірте контакти та знову встановіть акумуляторну батарею.</li> <li>■ Зарядіть акумуляторну батарею.</li> <li>■ Остудіть акумулятор і повітрорудку, доки їхня температура не опуститься нижче 67 °C.</li> <li>■ Зверніться до клієнтської служби EGO для ремонту.</li> <li>■ Вийміть акумуляторну батарею, дайте акумуляторній батареї та повітрорудці нагрітися в приміщенні. Рекомендується повністю зарядити акумуляторну батарею та запустити повітрорудку на низькій швидкості без активації режиму «Турбо».</li> </ul>
Якщо натиснути тригер швидкості повітря, на РК-екрані відображаються лише два нижні значки швидкості повітря.	<ul style="list-style-type: none"> <li>■ Використовується акумулятор із низькою ємністю.</li> </ul>	<ul style="list-style-type: none"> <li>■ Використовуйте акумуляторні батареї ємністю 4,0 А*год або вище.</li> </ul>
Режим фіксації швидкості не можна ввімкнути або вимкнути.	<ul style="list-style-type: none"> <li>■ Пошкоджена кнопка блокування швидкості.</li> </ul>	<ul style="list-style-type: none"> <li>■ Зверніться до клієнтської служби EGO для ремонту.</li> </ul>
Швидкість повітря помітно знижується.	<ul style="list-style-type: none"> <li>■ Низький заряд акумулятора.</li> <li>■ Надмірний знос вентилятора мотора.</li> <li>■ Повітрозабірник заблоковано сміттям.</li> </ul>	<ul style="list-style-type: none"> <li>■ Зарядіть акумуляторну батарею.</li> <li>■ Зверніться до сервісної служби EGO для ремонту.</li> <li>■ Вийміть акумуляторну батарею, потім очистьте від сміття.</li> </ul>
РК-екран не працює належним чином.	<ul style="list-style-type: none"> <li>■ РК-екран або дровове з'єднання пошкоджені.</li> </ul>	<ul style="list-style-type: none"> <li>■ Зверніться до сервісної служби EGO для ремонту.</li> </ul>
Блимає 1 світлодіод показчика рівня палива на РК-екрані.	<ul style="list-style-type: none"> <li>■ Низький заряд акумулятора.</li> </ul>	<ul style="list-style-type: none"> <li>■ Зарядіть акумуляторну батарею.</li> </ul>

**UK**

## ГАРАНТІЯ

### ПРАВИЛА ГАРАНТІЇ EGO

Відвідайте вебсайт [egopowerplus.eu](http://egopowerplus.eu) для отримання повного тексту умов гарантійної політики EGO.

## ПРОЧЕТЕТЕ ВСИЧКИ ИНСТРУКЦИИ!



### ПРОЧЕТЕТЕ РЪКОВОДСТВОТО НА ОПЕРАТОРА

**⚠ ПРЕДУПРЕЖДЕНИЕ:** За да осигурите безопасността и надеждността, всички поправки трябва да се извършват от квалифициран сервизен техник.

## СИМВОЛИ ЗА БЕЗОПАСНОСТ

Целта на символите за безопасност е да привличат вниманието към възможни опасности. Символите за безопасност и обясненията към тях заслужават вашето повишено внимание и осъзнаване. Символите за безопасност сами по себе си не елиминират каквато и да е опасност. Инструкциите и предупрежденията, които предоставят не са заместители за подходящите мерки за предотвратяване на инцидент.

**⚠ ПРЕДУПРЕЖДЕНИЕ:** Уверете се, че сте прочели и разбрали всички инструкции за безопасност в това Ръководство на оператора, включително всички известяващи символи за безопасност, като „ОПАСНОСТ“, „ПРЕДУПРЕЖДЕНИЕ“ и „ВНИМАНИЕ“, преди да използвате тази машина. Неспазването на всички инструкции изброени долу може да доведе до електрически удар, пожар и/или сериозно нараняване.

## ЗНАЧЕНИЕ НА СИМВОЛИТЕ

**⚠ СИМВОЛ СИГНАЛИЗИРАЩ ЗА БЕЗОПАСНОСТ:** Означава **ОПАСНОСТ**, **ПРЕДУПРЕЖДЕНИЕ** или **ВНИМАНИЕ**, може да бъде използван във връзка с други символи или пиктограми.

## ИНСТРУКЦИИ ЗА БЕЗОПАСНОСТ

Тази страница изобразява и описва символите за безопасност, които може да се появят по този продукт. Прочетете, осъзнайте и следвайте всички инструкции по машината преди предприемане на сглобяване или работа.



Сигнал за безопасност



За намаляване на опасността от нараняване, потребителят трябва да прочете ръководството на оператора.



Винаги носете защита за слуха, когато работите с този продукт.



Винаги носете предпазни очила със странична защита и предпазен екран за цялото лице, когато работите с този продукт.



Дръжте околните настрани поне на 15 м.



Гарантирано ниво на мощност на звука. Звуковите емисии към околната среда са в съответствие с директивите на европейската общност.

**BG**



Отпадъчните електрически продукти не трябва да бъдат изхвърляни заедно с домакинския отпадък. Отнесете го до упълномощено място за рециклиране.



Този продукт е в съответствие с приложимите директиви на ЕС.



Постоянен ток



Оценено съответствие за Великобритания



Не гледайте работната лампа.



Символ за Bluetooth®

IPX5

Защита от водни струи

кг

Килограм

V Напрежение

m<sup>3</sup>/h Кубичен метър за час

°C Целзий

m/s Метър за секунда

N Нютон

## СПЕЦИФИКАЦИИ

Напрежение	56 V
Максимален обем на въздуха	1870 m <sup>3</sup> /h
Максимална скорост на въздуха	85 m/s
Максимална сила на издухване	36 N
Работна честотна лента на Bluetooth	2400-2438 MHz
Максимална предавана мощност на Bluetooth	5 dBm
Тегло (без акумулаторна батерия)	9,6 kg
Препоръчителна работна температура	-15°C - 40°C
Препоръчителна температура на съхранение	-20°C - 70°C
Измерено ниво на сила на звука L <sub>WA</sub>	96 dB(A) K=1,4 dB(A)
Ниво на звуково налягане при ухото на оператора L <sub>PA</sub>	83 dB(A) K=3 dB(A)
Гарантирано ниво на сила на звука L <sub>WA</sub> (измерено съгласно 2000/14/ЕС)	98 dB(A)
Вибрации a <sub>n</sub>	0,25 m/s <sup>2</sup> K=1,5 m/s <sup>2</sup>

- Деклариеният общ размер на вибрации е измерен в съответствие със стандартния метод за тест и може да бъде използван за сравнение между два инструмента;
- Деклариеният общ размер на вибрации може също така да бъде използван за предварителна оценка на влиянието.

**БЕЛЕЖКА:** Вибрационните емисии по време на действителната употреба на електрическия инструмент може да се различава от декларираната стойност. С

цел да се защити оператора, потребителят трябва да носи ръкавици и антифони в действителни условия на работа.

## ОПАКОВЪЧЕН ЛИСТ (ФИГ. А1)

### ОПИСАНИЕ

#### ОПОЗНАЙТЕ ВАШАТА ВЪЗДУХОДУВКА (Фиг. А1)

1. Регулируема поддържаща обрuba
2. Скоба за съхранение в изправено положение
3. Плоча на раницата
4. Контролна ръкохватка
5. Конусна дюза
6. Тръба на въздуходувката
7. Тръбна скоба
8. Тръба на контролната ръкохватка
9. Скоба на контролната ръкохватка
10. Скоба на духалото
11. Духало
12. Вход за въздух
13. Спомагателна ръкохватка
14. Електрически контакти
15. Резе
16. Бутони за освобождаване на батерията
17. Ръкохватка
18. Спусък за скорост на въздуха
19. Бутон за заключване на скоростта
20. LED светлина
21. LCD екран
22. Бутон на LED светлината
23. Бутон турбо
24. Лостове за бързо освобождаване
25. Индикатор за Bluetooth
26. Индикатор за заряд
27. Икона на перка
28. Индикатор турбо
29. Индикатор на скоростта на въздуха

BG

30. Икона за заключване на скоростта

31. Икона за акумулаторната батерия

## МОНТАЖ

**▲ ПРЕДУПРЕЖДЕНИЕ:** Ако някои от частите са повредени или липсват, не работете с този продукт, докато частите не се подменят. Използването на този продукт с повредени или липсващи части може да доведе до сериозно лично нараняване.

**▲ ПРЕДУПРЕЖДЕНИЕ:** Не се опитвайте да модифицирате този продукт или да създадете аксесоари, които не се препоръчват за употреба с тази въздуходувка. Всяка такава промяна или модификация е злоупотреба и може да доведе до опасни условия с последици от възможни сериозни наранявания.

**▲ ПРЕДУПРЕЖДЕНИЕ:** За да предотвратите случайно стартиране, което може да причини сериозно нараняване винаги изваждайте акумулаторните батерии от инструмента, когато сглобявате частите.

## МОНТИРАНЕ НА ТРЪБИТЕ НА ВЪЗДУХОДУВКАТА

### Свързване на тръбата на контролната ръкохватка към духалото

1. За да е удобно сглобяването, поставете въздуходувката с поддържащата сбруя нагоре, както е показано на фиг. В1.
2. Разхлабете и отстранете двата винта от една страна на скобата на духалото, отворете частично скобата на духалото, но се уверете, че пластината на ръба на духалото е напълно вкарана в прореза на скобата (фиг. В2).
3. Вкарайте задния край на тръбата на ръкохватката за управление в духалото, докато задната крайна повърхност се допре до повърхността на края на скобата на духалото (фиг. В3).
4. Скобата на духалото може да бъде напълно затворена, когато тръбата на контролната ръкохватка е свързана правилно с духалото. Затегнете здраво винтовете на скобата на духалото (фиг. В4).

В1-1	Поддържаща сбруя	В1-2	Духало
В2-1	Винтове	В2-2	Прорез

В2-3	Щифт	В2-4	Скоба на духалото
В3-1	Тръба на контролната ръкохватка	В3-2	Задна част
В3-3	Повърхност на задния край	В3-4	Повърхност на задната част на скобата на духалото

### Свързване на тръбата на въздуходувката към тръбата на контролната ръкохватка

1. Разхлабете и отстранете лоста за бързо освобождаване и крилчатата гайка от възела на тръбната скоба, фиксиран върху тръбата на въздуходувката (Фиг. С1).
2. Подравнете жлеба в тръбата на въздуходувката с реброто на тръбата на контролната ръкохватка, плъзнете тръбата на въздуходувката върху тръбата на контролната ръкохватка, докато стигне (Фиг. С2).
3. Поставете щифта на лоста за бързо освобождаване и затворете лоста върху тръбната скоба (Фиг. С3).
4. Затегнете крилчатата гайка, за да закрепите тръбната скоба (Фиг. С4).

С1-1	Тръба на въздуходувката	С1-2	Тръбна скоба
С1-3	Лост за бързо освобождаване	С1-4	Крилчатата гайка
С2-1	Жлеб на тръбата на въздуходувката	С2-2	Ребро на тръбата на контролната ръкохватка

### Свързване на конусната дюза към тръбата на въздуходувката

1. Подравнете жлеба в дюзата с резето на тръбата. Натиснете дюзата върху тръбата, докато тя сигурно щракне на място (Фиг. D1).
2. **За да отстраните дюзата,** натиснете и задръжте бутона за освобождаване на дюзата, за да отключите резето и след това издърпайте напред дюзата от тръбата на въздуходувката (Фиг. D2).

D1-1	Бутон за освобождаване на дюзата	D1-2	Резе
------	----------------------------------	------	------

ВГ

## ЕКСПЛОАТАЦИЯ

**⚠ ПРЕДУПРЕЖДЕНИЕ:** Не позволявайте рутината с този продукт да ви направи непредпазливи. Запомнете, че невнимание за малка част от секундата е достатъчна за да нанесете сериозно нараняване.

**⚠ ПРЕДУПРЕЖДЕНИЕ:** Не използвайте други приставки или аксесоари, които не са препоръчани от производителя на този продукт. Употребата на приставки или аксесоари, които не са препоръчани, може да доведе до сериозно нараняване.

**⚠ ПРЕДУПРЕЖДЕНИЕ:** Винаги изваждайте акумулаторните батерии от продукта, когато монтирате части, правите настройки, почиствате или когато не е в употреба. Снемането на акумулаторните батерии ще предотврати инцидентно стартиране, което може да предизвика сериозно нараняване.

Преди всяка употреба проверявайте целия продукт за повредени, липсващи или разхлабени части, като винтове, гайки, болтове, капачки и др. Затегнете сигурно всички закопчалки и капачки и не работете с този продукт, докато всички повредени или липсващи части не бъдат подменени.

### ПРИЛОЖЕНИЕ

Може да използвате този продукт за целите описани долу:

- Разчистване на листа и различни дворни отломки от тревни площи и мулч легла.
- Почистване на твърди повърхности като алеи и пътеки.
- Поддържане на площадки и алеи без листа и иглички от иглолистни дървета.

**БЕЛЕЖКА:** Инструментът трябва да бъде използван само за предназначени цели. Всяка друга употреба се смята за случай на злоупотреба.

### МОНТИРАНЕ/ИЗВАЖДАНЕ НА АКУМУЛАТОРНАТА БАТЕРИЯ

Използвайте единствено акумулаторни батерии EGO и зарядни устройства изброени във Фиг. A2.

Обърнете се към съответните ръководства за батерии и зарядни устройства за повече подробности.

#### Заредете напълно преди първата употреба.

**БЕЛЕЖКА:** За най-добра производителност препоръчваме да използвате акумулаторната батерия EGO 56V BA3360T (6,0 Ah) или други акумулаторни батерии EGO 56V с по-висока стойност на Ah.

Въздуходувката има два активни порта за батерии, намиращи се от лявата и дясната страна на корпуса на порта за батерии.

**БЕЛЕЖКА:** Въздуходувката може да работи с една или две батерии. Използването на две батерии ви дава по-дълго време на работа и ефективно електрозахранване, управлявано от технологията PEAK POWER™.

Когато батериите са поставени в съответните портове за батерии, маркирани с 1 или 2 на табелката на раницата, и вентилаторът е включен, съответната икона на батерията ще светне на LCD екрана (фиг. E1).

#### За закрепване (фиг. E2)

Подравнете ребрата на акумулаторната батерия с монтажните жлебове и натиснете батерията надолу, докато чуете „щракване“. Прикрепете другата батерия.

#### За да извадите

Натиснете бутона за освобождаване на батерията и издърпайте акумулаторната батерия навън.

**⚠ ПРЕДУПРЕЖДЕНИЕ:** Винаги обръщайте внимание на местоположението на краката си, деца или домашни любимци, когато бутона за освобождаване на акумулаторната батерия. Може да възникне сериозно нараняване, ако батерията падне. НИКОГА не премахвайте батерията, когато сте на високо място.

E1-1	Брой на портовете за батерии	E1-2	LCD екран
E1-3	Икона за акумулаторната батерия	E2-1	Ребро на батерията
E2-2	Монтажен отвор	E2-3	Бутон за освобождаване на батерията

### ПОЗИЦИОНИРАНЕ НА ВЪЗДУХОДУВКАТА С РАНИЦА

**⚠ ПРЕДУПРЕЖДЕНИЕ:** Облечете се правилно за да намалите риска от нараняване, когато работите с тази машина. Не носете отпуснати дрехи или бижута. Носете защита за очите и защита за очите/слуха. Носете тежки, дълги панталони, ботуши и ръкавици. Не носете къси панталони или сандали или не ходете бос.

Преди да използвате въздуходувката раница, уверете се, че операторът носи защита на очите и подходящо облекло и може да поддържа сигурна и балансирана

стойка.

## За да регулирате поддържащата сбруя

1. Издърпайте двата ремъка на плочата на раницата, за да се уверите, че сбруята е сигурно прикрепена към плочата на раницата (фиг. F1).
2. Ако е необходимо, регулирайте подложките за гърба и лумбалната подложка, за да ви е удобно.
  - Разхлабете раменните ремъци, отлепете задните подложки от велкрото и преместете подложките в желаната позиция, след което издърпайте раменните ремъци, за да закрепите подложките за раницата (фиг. F2).

**БЕЛЕЖКА:** Хоризонталните линии на задните подложки помагат двете подложки да бъдат регулирани на едно и също ниво.

- Отлепете лумбалната подложка от велкрото и преместете подложката в желаната от вас позиция (фиг. F3).
3. Вкарайте ръцете си през сбруята, за да подпрете въздуходувката на гърба си. Временно регулирайте гръдните колани в удобни позиции, като се уверите, че лакътят на дясната ви ръка се чувства удобно, когато държите контролната ръкохватка (фиг. F4).
  4. Закопчайте катарамата за кръста и регулирайте дължината на ремъците за кръста, така че сбруята да е добре прилепена към кръста ви. Ако катарамата за кръста се закопчава трудно, регулирайте двете странични ленти от всяка страна, за да я закопчавате лесно (фиг. F5).

**БЕЛЕЖКА:** Сбруята не трябва да е твърде високо на гърба, трябва да бъде позиционирана по-близо до ханша отколкото до раменете.

**⚠ ПРЕДУПРЕЖДЕНИЕ:** Когато възникне извънредна ситуация, освободете незабавно катарамата на кръста, за да свалите сбруята. Това е метод за бързо освобождаване.

5. Регулирайте отново гръдните колани за сигурност и комфорт. Уверете се, че сбруята стои сигурно на гърба ви, като теглото се поема от ремъка на кръста и няма излишни движения, когато се движите (фиг. F6).
6. Вкарайте излишната дължина на лентите в ластика (фиг. F7).
7. Има няколко светлоотразителни ленти за безопасна работа. По време на работа внимавайте да не покривате светлоотразителните ленти (фиг. F8).

8. **За да отделите сбруята от гърба си**, просто натиснете катарамата на кръста, за да я освободите и свалете въздуходувката (фиг. F9).

F1-1	Колани	F1-2	Плоча на раницата
F2-1	Раменни ремъци	F2-2	Хоризонтални линии
F3-1	Лумбална подложка	F4-1	Ремъци за гърдите
F5-1	Ремъци за талията	F5-2	Катарамата за кръста
F5-3	Странични ремъци	F7-1	Ластик
F7-2	Допълнителна дължина на ремъка	F8-1	Светлоотразителни ленти

## За да регулирате контролната ръкохватка

1. Освободете лоста за бързо освобождаване, за да преместите контролната ръкохватка напред или назад, ако е необходимо (фиг. G1 и G2) и след това зацепете лоста за бързо освобождаване, за да закрепите контролната ръкохватка на място.
2. Може също да завъртите ръкохватката, както е необходимо за удобство (фиг. G3).

G1-1	Контролна ръкохватка	G1-2	Лост за бързо освобождаване
------	----------------------	------	-----------------------------

## За да регулирате дължината на тръбата на контролната ръкохватка (Фиг. H1, H2)

1. Освободете лоста за бързо освобождаване (фиг. H1).
2. Преместете тръбата на въздуходувката в удобно работно положение в зоната за регулиране (фиг. H2).
3. Включете лоста за бързо освобождаване, за да закрепите тръбата на въздуходувката на място (фиг. H2).

H1-1	Лост за бързо освобождаване	H2-1	Тръба на въздуходувката
H2-2	Зона за регулиране		

## СТАРТИРАНЕ/СПИРАНЕ НА ВЪЗДУХОДУВКАТА

**БЕЛЕЖКА:** Възможно е въздуходувката да не

BG

се стартира правилно, ако температурата на акумулаторната батерия или на въздуходувката е -15°C или по-ниска. В този случай извадете акумулаторната батерия от въздуходувката, оставете акумулаторната батерия и въздуходувката да се загрее на закрито за 10 минути или повече. Инсталирайте отново акумулаторната батерия и опитайте отново.

### Спусък за скорост на въздуха (фиг. I1, I2)

- Натиснете спусъка за скорост на въздуха, за да включите машината, след което на LCD екрана ще се появят показанията на индикатора за гориво, иконата на батерията и индикатора за скорост на въздуха.

**БЕЛЕЖКА:** 1 светодиода на индикатора за гориво на LCD екрана мига, когато зарядът на батерията е нисък.

- Скоростта на въздуха на въздуходувката се управлява от спусък за промяна на скоростта. Повече натиск върху спусъка води до по-висока скорост на издухване, по-малък натиск върху спусъка води до по-ниска скорост на издухване. Регулирайте скоростта за да е подходяща за настоящата задача. Съответният индикатор за скорост на въздуха се показва на LCD екрана.
- Освободете спусъка за скорост на въздуха за да изключите въздуходувката. LCD екранът ще се изключи в рамките на определен период от време, след като спусъкът е освободен.

**БЕЛЕЖКА:** Ако се използва акумулаторна батерия с капацитет под 4 Ah, скоростта на въздуха се ограничава само до два бара.

### Режим турбо

Докато спусъкът за скоростта на въздуха е натиснат и задържан, натиснете бутона турбо, за да увеличите въздушния поток до максималната скорост (фиг. I1). Индикаторът турбо и иконата вентилатор ще светят на LCD екрана (фиг. I3).

**БЕЛЕЖКА:** Въздуходувката ще се върне към предишната скорост при освобождаване на бутона турбо.

### Режим на заключване на скоростта

Заклучването на скоростта може да се използва за работа на въздуходувката, без непрекъснато натискане на спусъка за скорост на въздуха.

1. Натиснете спусъка за скорост на въздуха, докато достигнете желаната скорост (фиг. I1).
2. Натиснете бутона за заключване на скоростта.

Иконата за заключване на скоростта ще светне на LCD екрана (фиг. I4).

3. След това освободете спусъка за скоростта на въздуха, въздуходувката ще продължи да работи с „желаната“ скорост.

**БЕЛЕЖКА:** Натискането на бутона турбо, докато сте в режим на заключване на скоростта, може да заключи скоростта на въздуха до максималното ниво. Въздуходувката ще възстанови предишната скорост, когато бутонът турбо бъде освободен.

4. **За да освободите заключването на скоростта,** натиснете отново бутона за заключване на скоростта. Иконата за заключване на скоростта ще излезе от LCD екрана и въздуходувката ще се изключи.

I1-1	Бутон турбо	I1-2	Бутон за заключване на скоростта
I1-3	Спусък за скорост на въздуха	I2-1	Индикатор за заряд
I2-2	Индикатор на скоростта на въздуха	I2-3	Икона за акумулаторната батерия
I3-1	Икона на перка	I3-2	Индикатор турбо
I4-1	Икона за заключване на скоростта		

### LED СВЕТЛИНА (фиг. J)

LED светлината се намира в предната част на контролната ръкохватка. Тя осигурява осветление за по-добра видимост.

Натиснете бутона за LED светлината веднъж, за да включите светлината, и го натиснете отново, за да я изключите. Освен това тя ще се изключи автоматично след приблизително 5 минути бездействие на въздуходувката.

J-1	Бутон на LED светлината	J-2	LED светлина
-----	-------------------------	-----	--------------

BG

### КОМУНИКАЦИОННА ТЕХНОЛОГИЯ

За информация относно пълната ни гама от свързани продукти и услуги, включително инструкции за свързване, моля, сканирайте QR кода по-долу или посетете

[www.egopowerplus.eu/connect](http://www.egopowerplus.eu/connect).



## СЪВЕТИ ЗА ИЗПОЛЗВАНЕ НА ВЪЗДУХОДУВКАТА

- За да се предпазите от разхвърляне на остатъци, издухайте около външните граници на купчината с остатъци. Никога не духайте директно в центъра на купчината.
- За да намалите звуковото ниво, ограничете броя на частите от оборудването, които се използват по едно и също време.
- Използвайте гребла и метли за снемане на остатъци преди издухване. При прашни условия, леко навлажнете повърхността, ако е налична вода.
- Внимавайте за деца, домашни любимци, отворени прозорци или скоро измити коли и издухвайте остатъците по безопасен начин.
- След използване на въздуходувки или друго оборудване, почистете! Изхвърляйте остатъците по подходящ начин.

## ПОДДРЪЖКА

**⚠ ПРЕДУПРЕЖДЕНИЕ:** Когато обслужвате, използвайте само идентични резервни части. Употребата на каквито и да е други части може да създаде опасност или да предизвика повреда на продукта. За да осигурите безопасността и надеждността, всички поправки трябва да се извършват от квалифициран сервизен техник.

**⚠ ПРЕДУПРЕЖДЕНИЕ:** За да избегнете нараняване, винаги снемайте батерията от продукта, когато почиствате или извършвате поддръжка.

## ОБЩА ПОДДРЪЖКА

Избягвайте употребата на разтворители, когато почиствате пластмасовите части. Повечето пластмасови части са уязвими на повреда от различни видове разтворители в търговската мрежа и може да се повредят от тяхната употреба. Използвайте чиста кърпа за премахване на мръсотия, прах, масло, грес и т.н.

**⚠ ПРЕДУПРЕЖДЕНИЕ:** Никога не допускате спирална течност, бензин, петролни продукти, проникващи масла и т.н. да влизат в контакт с

пластмасовите части. Химикалите могат да повредят, отслабят или разрушат пластмаса, което може да доведе до сериозно нараняване.

**⚠ ПРЕДУПРЕЖДЕНИЕ:** За да намалите риска от пожар, нараняване и повреда на продукта поради късо съединение, никога не потапяйте вашата машина, акумулаторна батерия или зарядно устройство в течност и не позволявайте течност да влезе в тях. Корозивни или проводими течности, като морска вода, определени индустриални химикали и белина или продукти, съдържащи белина и др., могат да причинят късо съединение.

## СЪХРАНЕНИЕ

- Извадете акумулаторната(ите) батерия(и) от въздуходувката.
- Почистете всички чужди материали от въздушния отвор на въздуходувката.
- Захванете изправената катарамата за съхранение, за да закачите тръбата на въздуходувката за корпуса на порта за батерията (фиг. К).
- Съхранявайте на затворено пространство, което е недостъпно до деца. Пазете от корозивни препарати като градински химикали и сол за обезледяване.

К-1 Скоба за съхранение в изправено положение

## ОПАЗВАНЕ НА ОКОЛНАТА СРЕДА



Не изхвърляйте електрическо оборудване, използвана батерия или зарядно устройство в домакинския отпадък! Отнесете продукта до упълномощена фирма за рециклиране и го предоставете за разделно събиране. Електрическите инструменти трябва да бъдат връщани в съоръжения за рециклиране съвместими с околната среда.



## ОТСТРАНЯВАНЕ НА ПРОБЛЕМИ

ПРОБЛЕМ	ПРИЧИНА	РЕШЕНИЕ
Въздуходувката не работи.	<ul style="list-style-type: none"> <li>■ Акумулаторната батерия не е прикрепена към въздуходувката.</li> <li>■ Няма електрически контакт между въздуходувката и батерията.</li> <li>■ Акумулаторната батерия е изтощена.</li> <li>■ Акумулаторната батерия или въздуходувката са твърде горещи.</li> <li>■ Повреден спусък за скорост на въздуха.</li> <li>■ Акумулаторната батерия или въздуходувката са твърде студени.</li> </ul>	<ul style="list-style-type: none"> <li>■ Закрепете акумулаторната батерия към въздуходувката.</li> <li>■ Извадете акумулаторната батерия, проверете контактите и поставете ново акумулаторната батерия.</li> <li>■ Заредете акумулаторната батерия.</li> <li>■ Охладете акумулаторната батерия и въздуходувката до спадане на температурата под 67°C.</li> <li>■ Свържете се с обслужване на клиенти на EGO за ремонт.</li> <li>■ Извадете акумулаторната батерия, оставете акумулаторната батерия и въздуходувката да загреят на закрито. Препоръчва се пълното зареждане на акумулаторната батерия и стартиране на въздуходувката на ниска скорост, без да се активира режимът Turbo.</li> </ul>
Когато спусъкът за скорост на въздуха е натиснат, на LCD екрана се показват само долните две икони за скорост на въздуха.	<ul style="list-style-type: none"> <li>■ Използвана е батерия с малко Ah.</li> </ul>	<ul style="list-style-type: none"> <li>■ Използвайте акумулаторни батерии с капацитет 4,0 Ah или повече.</li> </ul>
Режимът на заключване на скоростта не може да бъде включен или изключен.	<ul style="list-style-type: none"> <li>■ Повреден бутон за заключване на скоростта.</li> </ul>	<ul style="list-style-type: none"> <li>■ Свържете се с обслужване на клиенти на EGO за ремонт.</li> </ul>
Скоростта на въздуха е значително намалена.	<ul style="list-style-type: none"> <li>■ Зарядът на батерията е нисък.</li> <li>■ Прекомерно износване на двигателя на въздуходувката.</li> <li>■ Въздушният отвор е блокиран от остатъци.</li> </ul>	<ul style="list-style-type: none"> <li>■ Заредете акумулаторната батерия.</li> <li>■ Свържете се с EGO сервис за ремонт.</li> <li>■ Извадете акумулаторната батерия, след което почистете отломките.</li> </ul>
LCD екранът не функционира правилно.	<ul style="list-style-type: none"> <li>■ LCD екранът или кабелната връзка са повредени.</li> </ul>	<ul style="list-style-type: none"> <li>■ Свържете се с EGO сервис за ремонт.</li> </ul>
1 светодиод на индикатора за гориво на LCD екрана мига.	<ul style="list-style-type: none"> <li>■ Зарядът на батерията е нисък.</li> </ul>	<ul style="list-style-type: none"> <li>■ Заредете акумулаторната батерия.</li> </ul>

BG

## ГАРАНЦИЯ

### ГАРАНЦИОННА ПОЛИТИКА EGO

Моля, посетете уебсайта [egopowerplus.eu](http://egopowerplus.eu) за пълните срокове и условия по гаранционната политика на EGO.

## PROČITAJTE UPUTE U CIJELOSTI!



PROČITAJTE KORISNIČKI PRIRUČNIK

**⚠ UPOZORENJE:** Radi sigurnosti i pouzdanosti, sve popravke treba obavljati kvalificirani servisni tehničar.

## SIGURNOSNI SIMBOLI

Svrha simbola sigurnosti je skretanje pozornosti na moguće opasnosti. Simboli sigurnosti i njihova objašnjenja zahtijevaju vašu potpunu pozornost i razumijevanje. Simboli upozorenja ne isključuju opasnost sami po sebi. Upute i upozorenja koja pružaju nisu zamjena za propisne mjere za prevenciju nezgoda.

**⚠ UPOZORENJE:** Prije upotrebe stroja pročitajte s razumijevanjem sve upute u ovom korisničkom priručniku, uključujući sve sigurnosne simbole kao što su „OPASNOST“, „UPOZORENJE“ i „OPREZ“. Zanemarivanje uputa navedenih u nastavku može rezultirati strujnim udarom, požarom i/ili teškim tjelesnim ozljedama.

## ZNAČENJE SIMBOLA

**⚠ SIMBOL UPOZORENJA U VEZI SIGURNOSTI:** Naznačuje **OPASNOST**, **UPOZORENJE** ili **OPREZ** i može se upotrebljavati povezan s drugim simbolima ili piktogramima.

## SIGURNOSNE NAPOMENE

Na ovoj stranici slikovno su prikazani i objašnjeni simboli sigurnosti koji se mogu pojaviti na ovom proizvodu. Prije sastavljanja i rukovanja s razumijevanjem pročitajte sve upute na stroju i pridržavajte ih se.



Upozorenje u vezi sigurnosti



Radi smanjenja opasnosti od ozljeda korisnik treba pročitati korisnički priručnik.



Kada upotrebljavate proizvod, nosite zaštitu za sluh.



Kada rukujete ovim proizvodom, nosite zatvorene zaštitne naočale ili zaštitne naočale s bočnim štitnicima i štitnik za cijelo lice.



Sve promatrače držite na udaljenosti barem 15 m.



Zajamčena razina snage zvuka. Emisija buke u okruženju u skladu je sa smjernicama Europske unije.



Otpadni električni proizvodi ne smiju se odlagati s otpadom iz kućanstva. Odnosite ih u ovlašteni centar za recikliranje.



Ovaj proizvod je u skladu s važećim direktivama EU.



Istosmjerna struja



Ispitana sukladnost u Velikoj Britaniji



Nemojte gledati u otvorenu lampu.



Simbol Bluetooth®

HR

IPX5 Zaštita od vodenih mlazova

kg Kilogram

B Napon

m<sup>3</sup>/h Kubnih metara na sat

°C Celzij

m/s Metara u sekundi

N Njutm

## TEHNIČKI PODACI

Napon	56 V
Maksimalna količina zraka	1870 m <sup>3</sup> /h
Maksimalna brzina zraka	85 m/s
Maksimalna snaga puhanja	36 N
Pojas radnih frekvencija za Bluetooth	2400-2438 MHz
Maksimalna snaga prijenosa za Bluetooth	5 dBm
Težina (bez baterijskog modula)	9,6 kg
Preporučena radna temperatura	-15°C - 40°C
Preporučena temperatura skladištenja	-20°C - 70°C
Izmjerena razina zvučne snage L <sub>WA</sub>	96 dB(A) K=1,4 dB(A)
Razina zvučnog tlaka kod uha rukovatelja L <sub>PA</sub>	83 dB(A) K=3 dB(A)
Zajamčena razina zvučne snage L <sub>WA</sub> (izmjereno u skladu s 2000/14/EZ)	98 dB(A)
Vibracija a <sub>n</sub>	0,25 m/s <sup>2</sup> K=1,5 m/s <sup>2</sup>

- Deklarirane ukupne vrijednosti vibracija izmjerene su u skladu sa standardnom metodom ispitivanja i mogu se koristiti za usporedbu jednog alata s drugim;
- Deklarirane ukupne vrijednosti vibracija mogu se koristiti i u preliminarnoj procjeni izloženosti.

**ZBAVIJEST:** Emisija vibracija tijekom aktualnog korištenja električnog alata može se razlikovati od deklarirane vrijednosti u kojoj se alat koristi; Radi zaštite rukovatelja korisnik treba nositi rukavice i štitnike za uši u aktualnim uvjetima korištenja.

## OTPREMNICA (SLIKA A1)

### OPIS

#### UPOZNAJTE SE S PUHALOM (sl. A1)

1. Podesivi uprtači za nošenje
2. Kopča za skladištenje u ispravnom položaju

3. Ploča naprtnjače
4. Upravljačka ručka
5. Konusna mlaznica
6. Cijev puhalo
7. Obujmica cijevi
8. Cijev upravljačke ručke
9. Obujmica upravljačke ručke
10. Obujmica za mijeh
11. Mijeh
12. Ulaz za zrak
13. Pomoćna ručka
14. Električni kontakti
15. Zasun
16. Gumbi za oslobađanje baterije
17. Ručka
18. Okidač brzine zraka
19. Gumb za fiksiranje brzine
20. LED svjetlo
21. LCD zaslon
22. Gumb LED svjetla
23. Gumb Turbo
24. Ručice za brzo oslobađanje
25. Bluetooth indikator
26. Mjerač goriva
27. Ikona ventilatora
28. Indikator Turbo
29. Indikator brzine zraka
30. Ikona za fiksiranje brzine
31. Ikona baterije

## SASTAVLJANJE

**⚠ UPOZORENJE:** Ako je bilo koji dio oštećen ili nedostaje, nemojte upotrebljavati proizvod dok se ne zamijene dijelovi. Upotreba proizvoda na kojemu nedostaju dijelovi ili su oštećeni, može dovesti do ozbiljne tjelesne ozljede.

**⚠ UPOZORENJE:** Ne pokušavajte obavljati preinake na ovom proizvodu ili raditi pribor koji nije preporučen za uporabu s ovim puhalom. Sve takve izmjene ili preinake predstavljaju nepropisnu uporabu i mogu rezultirati opasnim stanjima koja mogu dovesti do mogućih teških tjelesnih ozljeda.

**⚠ UPOZORENJE:** Da biste spriječili slučajno pokretanje koje može prouzročiti teške tjelesne ozljede, prilikom sastavljanja dijelova uklonite baterije iz alata.

## MONTIRANJE CIJEVI PUHALA

### Spajanje cijevi upravljačke drške puhalo na mijeh

1. Za praktičnu montažu postavite puhalo s potpornim pojaskom okrenutim prema gore kao što je prikazano na slici B1.
2. Otpustite i uklonite dva vijka s jedne strane obujmice mijeha, djelomično otvorite stezaljku mijeha, ali pazite da je jezičak na rubu mjehova u potpunosti zahvaćen u utoru unutar obujmice (slika B2).
3. Umetnite stražnji kraj cijevi upravljačke ručke u mijeh sve dok stražnja krajnja površina ne dođe u kontakt s krajnjom površinom obujmice za mijeh (slika B3).
4. Obujmica za mijeh može se potpuno zatvoriti kada je cijev upravljačke ručke pravilno spojena na mijeh. Zategnite vijke obujmice za mijeh (slika B4).

B1-1	Potporni pojas	B1-2	Mijeh
B2-1	Vijci	B2-2	Utor
B2-3	Jezičak	B2-4	Obujmica za mijeh
B3-1	Cijev upravljačke ručke	B3-2	Stražnji kraj
B3-3	Površina stražnjeg kraja	B3-4	Krajnja površina obujmice za mijeh

### Spajanje cijevi puhalo na cijev upravljačke ručke

1. Otpustite i uklonite ručicu za brzo oslobađanje i krilnu maticu sa sklopa stezaljke cijevi pričvršćenog na cijev puhalo (slika C1).
2. Poravnajte utor u cijevi puhalo s rebrom na cijevi upravljačke ručke, gurnite cijev puhalo preko cijevi upravljačke ručke koliko god može (slika C2).
3. Umetnite zatik ručice za brzo oslobađanje i zatvorite ručicu na obujmice cijevi (slika C3).
4. Zategnite krilnu maticu kako biste učvrstili obujmicu cijevi (slika C4).

C1-1	Cijev puhalo	C1-2	Obujmica cijevi
C1-3	Ručica za brzo oslobađanje	C1-4	Krilna matica
C2-1	Žlijeb cijevi puhalo	C2-2	Izbočenje cijevi upravljačke ručke

### Spajanje konusne mlaznice na cijev puhalo

1. Poravnajte utor u mlaznici sa zaporom na cijevi. Gurnite mlaznicu preko cijevi tako da čvrsto sjedne na mjesto (slika D1).
2. **Ako želite ukloniti mlaznicu,** pritisnite i držite gumb za otpuštanje mlaznice kako biste deaktivirali zapor, zatim povucite mlaznicu ravno s cijevi puhalo (slika D2).

D1-1	Gumb za otpuštanje mlaznice	D1-2	Zasun
------	-----------------------------	------	-------

## RAD

**⚠ UPOZORENJE:** Nemojte biti nepažljivi zato što ste upoznati s načinom rada proizvoda. Zapamtite da je samo jedan djelić sekunde nepažnje dovoljan za nastanak tjelesne ozljede.

**⚠ UPOZORENJE:** Nemojte upotrebljavati priključke ili pribor koje nije preporučio proizvođač ovog proizvoda. Uporaba priključaka ili pribora koji nije preporučen može dovesti do ozbiljnih tjelesnih ozljeda.

**⚠ UPOZORENJE:** Pri sastavljanju dijelova, obavljanju podešavanja, čišćenju ili kada ne koristite proizvod, baterije izvadite iz proizvoda. Uklanjanjem baterija uklanjate mogućnost nehotičnog pokretanja uslijed kojeg mogu nastati teške tjelesne ozljede.

Prije svake upotrebe, pregledajte da na stroju nema oštećenih, nedostajućih ili olabavljenih dijelova kao što su vijci, matice i poklopci. Dobro pritegnite sve elemente za pričvršćenje i kapice i ne upotrebljavajte proizvod dok se svi dijelovi koji nedostaju ili oštećeni dijelovi, ne zamijene.

## PRIMJENA

Proizvod možete koristiti za svrhe navedene u nastavku:

- Čišćenje lišća i raznog dvorišnog otpada s travnjaka i gredica za malčiranje.
- Čišćenje tvrdih površina kao što su prometnice za vozila i nogostupi.
- Uklanjanje lišća i iglica borova s terasa i prilaza za vozila.

**OBAVIJEST:** Alat se smije upotrebljavati samo za prethodno opisanu namjenu. Svaka druga uporaba smatrat će se nepropisnom uporabom.

## POSTAVLJANJE I UKLANJANJE BATERIJSKOG MODULA

Upotrebljavajte samo s baterijskim modulima i punjačima

trtke EGO navedenima na slici A2.

Više pojedinosti potražite u odgovarajućim priručnicima za baterijske module i punjače.

### Baterijski modul potpuno napunite prije prve upotrebe.

**NAPOMENA:** Za najbolji rad preporučuje se upotreba baterijskog modula EGO 56 V BA3360T (6,0 Ah) ili bilo kojeg drugog EGO 56 V baterijskog modula veće vrijednosti Ah.

Puhalo ima dva aktivna pretinca za baterije na lijevoj i desnoj strani kućišta pretinca za baterije.

**NAPOMENA:** Puhalo može raditi s jednom ili s dvije baterije. Korištenje dvaju baterija omogućuje dugotrajniji rad i učinkovitu potrošnju energije kojom upravlja tehnologija PEAK POWER™.

Kada se baterijski moduli utaknu u odgovarajuće priključke za baterije označene sa 1 ili 2 na ploči naprtnjače, a puhalo je uključeno, odgovarajuća ikona baterije zasvijetlit će na LCD zaslonu (slika E1).

### Pričvršćivanje (slika E2)

Poravnajte izbočenja baterije s montažnim utorima i pritisnite baterijski modul prema dolje tako da se začuje zvuk „klik“. Pričvrstite drugu bateriju.

### Uklanjanje

Utisnite gumb za oslobađanje baterije i izvucite baterijski modul.

**⚠ UPOZORENJE:** Prije pritiskanja gumba za otpuštanje baterije, provjerite jesu li vaša stopala, djeca i domaće životinje na sigurnoj udaljenosti. Ako baterija ispadne, može doći do teških ozljeda. NEMOJTE vaditi bateriju kada ste u povišenom položaju.

E1-1	Broj priključaka za bateriju	E1-2	LCD zaslon
E1-3	Ikona baterije	E2-1	Izbočina na bateriji
E2-2	Utor za ugradnju	E2-3	Gumb za oslobađanje baterije

### POSTAVLJANJE PUHALA S NAPRNTNJAČOM

**⚠ UPOZORENJE:** Obucite se propisno kako biste smanjili rizik od ozljeda tijekom rukovanja strojem. Nemojte nositi široku odjeću i nakit. Nosite zaštitu za oči i uši/sluh. Nosite jake duge hlače, čizme i rukavice. Nemojte nositi kratke hlače ili sandale ili biti bos.

Prije upotrebe puhalo s naprtnjačom provjerite ima li ruko-

vatelj zaštitu za oči i propisanu odjeću te može li održavati siguran položaj tijela i ravnotežu.

### Podešavanje nosivog pojasa

1. Povucite dvije trake ploče naprtnjače kako biste bili sigurni da je pojas pričvršćen na ploču naprtnjače (slika F1).
2. Po potrebi podesite stražnje jastučice i lumbalni jastučić tako da vam ugodno pristaju.
  - Otpustite naramenice, odlijepite stražnje jastučice s čička i pomaknite jastučice u željeni položaj, a zatim povucite naramenice kako biste učvrstili jastučice za naprtnjaču (slika F2).
3. Provcite ruke kroz pojas za držanje puhalo na leđima. Privremeno podesite remene za prsa u udobne položaje, pazite da je lakat desne ruke u udobnom položaju kada držite upravljačku ručku (slika F4).
4. Pričvrstite kopču za struk i podesite duljinu remena struka tako da pojas bude čvrsto oslonjen na struk. Ako je kopču za struk teško zakopčati, podesite dvije bočne trake s obje strane kako biste to lako učinili (slika F5).

**NAPOMENA:** Pojas se ne smije postaviti previsoko na leđima, mora biti bliže kukovima nego ramenima.

**⚠ UPOZORENJE:** U hitnom slučaju odmah otpustite kopču za struk kako biste skinuli pojas. To je način za brzo oslobađanje.

5. Ponovno remene za prsa radi sigurnosti i udobnosti. Pobrinite se da pojas čvrsto leži na leđima – težinu mora nositi pojas na struku i ne smije se previše pomicati dok se krećete (slika F6).
6. Umetnite sav višak remena u elastiku (slika F7).
7. Postoji nekoliko traka koje reflektiraju svjetlost radi sigurnosti pri radu. Pazite da tijekom rada ne prekrivate trake koje reflektiraju svjetlost (slika F8).
8. **Želite li odvojiti pojas od leđa,** samo pritisnite kopču za struk da biste je oslobodili i spustite puhalo (slika F9).

F1-1	Remeni	F1-2	Ploča naprtnjače
F2-1	Naramenice	F2-2	Vodoravne linije
F3-1	Lumbalni jastučić	F4-1	Trake za prsa
F5-1	Trake za struk	F5-2	Kopča za struk
F5-3	Bočne trake	F7-1	Elastika
F7-2	Dodatna duljina remena	F8-1	Trake koje reflektiraju svjetlost

### Podešavanje upravljačke drške

- Otpustite ručicu za brzo oslobađanje kako biste pomaknuli upravljačku ručku naprijed ili natrag prema potrebi (slika G1 i G2), a zatim aktivirajte ručicu za brzo oslobađanje kako biste pričvrstili upravljačku ručku na mjesto.
- Ručku možete okretati prema potrebi radi udobnosti (slika G3).

G1-1	Upravljačka ručka	G1-2	Ručica za brzo oslobađanje
------	-------------------	------	----------------------------

### Podešavanje duljine cijevi upravljačke ručke (Slika H1, H2)

- Otpustite ručicu za brzo otpuštanje (slika H1).
- Pomaknite cijev puhalo u udoban radni položaj unutar zone podešavanja (slika H2).
- Aktivirajte ručicu za brzo oslobađanje kako biste učvrstili cijev puhalo na mjesto (slika H2).

H1-1	Ručica za brzo oslobađanje	H2-1	Cijev puhalo
H2-2	Zona podešavanja		

### POKRETANJE/ZAUSTAVLJANJE PUHALA

**NAPOMENA:** Puhalo se ne može pravilno pokrenuti ako je temperatura baterijskog modula  $-15^{\circ}\text{C}$  ili manja. U tom slučaju uklonite baterijski modul iz puhalo, ostavite baterijski modul i puhalo da se zagriju u zatvorenom prostoru 10 minuta ili duže. Vratite baterijski modul i pokušajte ponovno.

### Okidač brzine zraka (slika I1 i I2)

- Utisnite okidač za brzinu zraka kako biste uključili puhalo, tada će se na LCD zaslonu prikazati mjerač goriva, ikona baterije i indikator brzine zraka.

**NAPOMENA:** 1 LED mjerača goriva na LCD zaslonu

trepće kada je napunjenost baterije niska.

- Brzinu zraka puhalo određuje regulator brzine. Što jače pritisnete regulator, veća će biti brzina puhanja, ako ga pritisnete slabije, manja će biti i brzina puhanja. Prilagodite brzinu zadatku. Odgovarajući indikator brzine zraka prikazat će se na LCD zaslonu.
- Otpustite okidač za brzinu zraka ako želite isključiti puhalo. LCD zaslon će se isključiti unutar određenog vremenskog razdoblja nakon otpuštanja okidača.

**NAPOMENA:** Ako se koristi baterija kapaciteta manjeg od 4 Ah, brzina zraka ograničena je samo na dvije trake.

### Turbo način rada

Dok se okidač brzine zraka drži utisnutim, pritisnite turbo tipku da biste povećali protok zraka do maksimalne brzine (slika I1). Indikator Turbo i ikona ventilatora zasvijetlit će na LCD zaslonu (slika I3).

**NAPOMENA:** Puhalo se vraća na prethodnu brzinu kada se otpusti gumb Turbo.

### Način rada za fiksiranje brzine

Zaključavanje brzine može se koristiti za rad puhalo bez kontinuiranog pritiskanja okidača brzine zraka.

- Utiskujte okidač za brzinu zraka dok ne postignete željenu brzinu (slika I1).
- Pritisnite gumb za fiksiranje brzine. Ikona zaključavanja brzine zasvijetlit će na LCD zaslonu (slika I4).
- Zatim otpustite okidač za brzinu zraka, puhalo će nastaviti raditi na „željenoj“ brzini.

**NAPOMENA:** Pritiskom na turbo gumb u načinu rada s fiksanom brzinom možete fiksirati brzinu zraka na maksimalnoj razini. Puhalo će nastaviti s radom na prethodnoj brzini kada još jednom pritisnete turbo tipku.

- Ako želite otpustiti fiksiranje brzine, ponovno pritisnite gumb za fiksiranje brzine. Ikona za fiksiranje brzine nestat će s LCD zaslona i puhalo će se isključiti.

I1-1	Gumb Turbo	I1-2	Gumb za fiksiranje brzine
I1-3	Okidač brzine zraka	I2-1	Mjerač goriva
I2-2	Indikator brzine zraka	I2-3	Ikona baterije
I3-1	Ikona ventilatora	I3-2	Indikator Turbo
I4-1	Ikona za fiksiranje brzine		

## LED SVJETLO (slika J)

LED svjetlo nalazi se na prednjem dijelu upravljačke ručke. Omogućuje osvjetljenje za veću vidljivost.

Pritisnite gumb LED svjetla jednom da biste uključili svjetlo, pritisnite ga opet da biste ugасili svjetlo. Ono će se također automatski isključiti nakon približno 5 minuta neaktivnosti puhalo.

J-1	Gumb LED svjetla	J-2	LED svjetlo
-----	------------------	-----	-------------

## TEHNOLOGIJA KOMUNIKACIJE

Za informacije o našoj cjelokupnoj ponudi povezanih proizvoda i usluga, uključujući upute za povezivanje, skenirajte QR kod u nastavku ili posjetite

[www.egopowerplus.eu/connect](http://www.egopowerplus.eu/connect).



## SAVJETI ZA KORIŠTENJE PUHALA

- Kako ne bi došlo do rasipanja tvari, pušite oko vanjskih rubova hrpe ostataka. Nemojte puhati izravno u središte hrpe.
- Pazite na količinu buke – istovremeno koristite ograničen broj alata.
- Prije ispuhivanja koristite grablje i metle kako biste otpustili naslage i nečistoće. U prašnjavim uvjetima, lagano navlažite površinu ako vam je dostupna voda.
- Pazite na djecu, domaće životinje, otvorene prozore i svježije oprane automobile – ispušite nečistoće na siguran način.
- Nakon korištenja puhalo ili druge opreme, očistite ih! Zbrinite nečistoće na pravilan način.

## ODRŽAVANJE

**⚠ UPOZORENJE:** Pri servisiranju koristite samo identične zamjenske dijelove. Korištenje drugih dijelova može izazvati opasnost ili prouzročiti oštećenje proizvoda. Radi sigurnosti i pouzdanosti, sve popravke treba obavljati kvalificirani servisni tehničar.

**⚠ UPOZORENJE:** Radi izbjegavanja teških tjelesnih ozljeda, pri čišćenju ili obavljanju podešavanja baterije uvijek izvadite iz proizvoda.

## OPĆE ODRŽAVANJE

Pri čišćenju plastičnih dijelova izbjegavajte upotrebu otapala. Većina plastičnih materijala podložna je oštećenju od različitih vrsta komercijalnih otapala i mogu se oštetiti u slučaju njihove upotrebe. Za uklanjanje nečistoće, prašine, ulja, masti i sl. upotrijebite čistu krpu.

**⚠ UPOZORENJE:** Nemojte dopustiti da kočione tekućine, benzin, proizvodi na bazi nafte, prodoma ulja i sl., dođu u doticaj s plastičnim dijelovima. Kemijska sredstva mogu oštetiti, oslabiti ili uništiti plastiku što može rezultirati teškim tjelesnim ozljedama.

**⚠ UPOZORENJE:** Kako biste smanjili rizik od požara, tjelesnih ozljeda i oštećenja proizvoda uslijed kratkog spoja, ne uranjajte stroj, baterijski modul ili punjač u tekućinu niti dopustite da tekućina teče unutar njih. Korozivne ili vodljive tekućine, poput morske vode, nekih industrijskih kemikalija i izbjeljivača ili proizvoda koji sadrže izbjeljivač i sl. mogu uzrokovati kratki spoj.

## ČUVANJE

- Uklonite baterijski modul iz puhalo.
- Očistite sav strani materijal s ulaza za zrak na puhalo.
- Pričvrstite kopču za skladištenje u uspravnom položaju kako biste pričvrstili cijev puhalo na kućište otvora za bateriju (slika K).
- Pohranite ga u zatvorenom prostoru koji nije dostupan djeci. Držite dalje od korozivnih sredstava kao što su vrtno kemikalije i soli za odleđivanje.

K-1	Kopča za skladištenje u uspravnom položaju
-----	--

## ZAŠTITA OKOLIŠA



Električnu opremu, iskorištenu bateriju i punjač ne odlažite u otpad iz kućanstva! Ovaj proizvod odnesite u ovlaštenu centar za reciklažu i time omogućite odvojeno sakupljanje. Električne alate potrebno je vratiti u ekološki prihvatljiv pogon za reciklažu.

## RJEŠAVANJE PROBLEMA

PROBLEM	UZROK	RJEŠENJE
Puhalo ne radi.	<ul style="list-style-type: none"> <li>■ Baterijski modul nije postavljen na puhalo.</li> <li>■ Nema električnog kontakta između puhala i baterije.</li> <li>■ Baterijski modul je ispražnjen.</li> <li>■ Baterijski modul i/ili puhalo su prevrući.</li> <li>■ Oštećen okidač brzine zraka.</li> <li>■ Baterijski modul i/ili puhalo su prehladni.</li> </ul>	<ul style="list-style-type: none"> <li>■ Postavite baterijski modul na puhalo.</li> <li>■ Izvadite baterijski modul, provjerite kontakte i ponovno stavite baterijski modul.</li> <li>■ Napunite baterijski modul.</li> <li>■ Hladite baterijski modul i puhalo dok se njihova temperatura ne spusti ispod 67 °C.</li> <li>■ Za popravak se obratite centru korisničke službe proizvođača EGO.</li> <li>■ Uklonite baterijski modul, ostavite baterijski modul i puhalo da se zagriju u zatvorenom prostoru. Preporučuje se da potpuno napunite baterijski modul i pokrenete puhalo na maloj brzini bez aktiviranja Turbo načina rada.</li> </ul>
Kada je okidač brzine zraka utisnut, na LCD zaslonu se prikazuju samo dvije donje ikone brzine zraka.	<ul style="list-style-type: none"> <li>■ Koristi se baterija niskog kapaciteta u Ah.</li> </ul>	<ul style="list-style-type: none"> <li>■ Upotrebljavajte baterijske module od 4,0 ili više Ah.</li> </ul>
Način rada s fiksiranjem brzine ne može se uključiti ili isključiti.	<ul style="list-style-type: none"> <li>■ Oštećen gumb za fiksiranje brzine.</li> </ul>	<ul style="list-style-type: none"> <li>■ Za popravak se obratite centru korisničke službe proizvođača EGO.</li> </ul>
Brzina zraka će se osjetno smanjiti.	<ul style="list-style-type: none"> <li>■ Baterija je slabo napunjena.</li> <li>■ Prekomjerna istrošenost ventilatora motora.</li> <li>■ Ulaz za zrak zapriječen je nečistoćama.</li> </ul>	<ul style="list-style-type: none"> <li>■ Napunite baterijski modul.</li> <li>■ Za popravak se obratite servisu tvrtke EGO.</li> <li>■ Uklonite baterijski modul, zatim očistite nečistoće.</li> </ul>
LCD zaslon ne radi ispravno.	<ul style="list-style-type: none"> <li>■ LCD zaslon ili priključak za vodič su oštećeni.</li> </ul>	<ul style="list-style-type: none"> <li>■ Za popravak se obratite servisu tvrtke EGO.</li> </ul>
1 LED mjerača goriva na LCD zaslonu trepće.	<ul style="list-style-type: none"> <li>■ Baterija je slabo napunjena.</li> </ul>	<ul style="list-style-type: none"> <li>■ Napunite baterijski modul.</li> </ul>

### PRAVILA U VEZI JAMSTVA TVRTKE EGO

Cjelokupne uvjete i odredbe pravila jamstva tvrtke EGO potražite na web-mjestu [egopowerplus.eu](http://egopowerplus.eu).





## წაიკითხეთ მთლიანი ინსტრუქცია!



**გაეცანით მომხმარებლის ინსტრუქციას**

**⚠ გაფრთხილება:** უსაფრთხოებისა და საიმედოობის უზრუნველსაყოფად, ყველა სახის შეკეთება უნდა ჩატარდეს ტექ. მომსახურების კვალიფიციური სპეციალისტის მიერ.

## გამაფრთხილებელი ნიშნები

უსაფრთხოების სიმბოლოების დანიშნულებას წარმოადგენს თქვენი ყურადღების მიპყრობა შესაძლო საფრთხეებზე. ყურადღებით გაეცანით უსაფრთხოების სიმბოლოებს და მათ შესაბამის განმარტებებს. საშიშროების აღმნიშვნელი სიმბოლოები თავისთავად არ ანეიტრალებს რაიმე საფრთხის არსებობის რისკს. მათ მიერ მოწოდებული მითითებები და გაფრთხილებები არ არიან შემთხვევის თავიდან აცილების სწორი პროცედურის შემცველები.

**⚠ გაფრთხილება:** მოწყობილობის გამოყენებამდე წაიკითხეთ და გაეცანით უსაფრთხოების ყველა წესს, მათ შორის ყველა გამაფრთხილებელ ნიშანს, როგორცაა „საშიშროება“, „გაფრთხილება“ და „საფრთხილის ზომები“, რომელიც მოცემულია ოპერატორის ამ სახელმძღვანელოში. ქვემოთ ჩამოთვლილი მითითებების შეუსრულებლობამ შეიძლება გამოიწვიოს დენის დარტყმა, ხანძარი და/ან სხეულის სერიოზული დაზიანება.

## სიმბოლოების მნიშვნელობა

**⚠ უსაფრთხოების გამაფრთხილებელი სიმბოლო:** აღნიშნავს - „საშიშროება“, „გაფრთხილება“ ან „ყურადღება“-ს. შესაძლოა გამოყენებულ იქნას სხვა სიმბოლოებთან ან პიქტოგრამებთან ერთად.

## უსაფრთხოების ინსტრუქციები

ამ გვერდზე გამოსახულია და აღწერილია უსაფრთხოების სიმბოლოები, რომლებიც შეიძლება გამოჩნდეს მოცემულ პროდუქტზე. წაიკითხეთ, გაიგეთ და დაიცავით აპარატის ყველა ინსტრუქცია აწყობისა და ექსპლუატაციის დაწყებამდე.



გამაფრთხილებელი ნიშანი



დაზიანების რისკის შესამცირებლად მომხმარებელმა უნდა წაიკითხოს მომხმარებლის სახელმძღვანელო.



ყოველთვის გაიკეთეთ ყურების დამცავი ხელსაწყოთი სარგებლობისას.



ყოველთვის მიირჩეთ უსაფრთხოების თვალსაფარი ან გვერდითა დამცავი ეკრანების მქონე უსაფრთხოების სათვალე და მთლიანი სახის დამცავი ამ ხელსაწყოთი სარგებლობისას.



მოაცილეთ გარეშე პირები ხელსაწყოს მინიმუმ 15 მეტრის დაშორებით.



გარანტირებული ხმის სიმძლავრის დონე. გარემოში ხმაურის გავრცელების დონე ევროკავშირის რეგულაციების შესატყვისია.



ელექტრო ხელსაწყოს ნარჩენები არ გადაყაროთ საყოფაცხოვრებო ნარჩენებთან ერთად. წაიღეთ შესაბამის გადამამუშავებელ საწარმოში.



მოწყობილობა შეესაბამება EC-ის მოქმედ რეგულაციებს.



მუდმივი დენი



გავლილი აქვს დიდი ბრიტანეთის შესაბამისობის შეფასება



არ უყურეთ ლამფას, როცა მუშაობს.



Bluetooth®-ის სიმბოლო

KA



IPX5 წყლის ჭავლისგან დაცვა  
 V ძაბვა  
 °C ცელსიუსი  
 N ნიუტონი

kg კილოგრამი  
 m³/h კუბური მეტრი საათში  
 m/s მეტრი წამში

## სპეციფიკაციები

ძაბვა	56 ვოლტი
მაქსიმალური ჰაერის მოცულობა	1870 მ3/სთ
მაქსიმალური ჭავლის სიჩქარე	85 მ/წმ
დაბერვის მაქსიმალური ძალა	36 ნ
Bluetooth-ის სამუშაო სიხშირის ზოლი	2400-2438 მჰც
Bluetooth-ის მაქსიმალური ტრანსმისიის ძალა	5 დბ/მვ
წონა (აკუმულატორის ბლოკის გარეშე)	9,6 კგ
რეკომენდებული საექსპლუატაციო ტემპერატურა	-15°C - 40°C
რეკომენდებული დასაწყობების ტემპერატურა	-20°C - 70°C
გაზომილი ხმის სიმძლავრის დონე L <sub>WA</sub>	96 dB(A) K=1,4 dB(A)
ბგერის წნევის დონე მომხმარებლის ყურზე L <sub>PA</sub>	83 dB(A) K=3 dB(A)
გარანტირებული ხმის სიმძლავრის დონე L <sub>WA</sub> (გაზომილი 2000/14/EC რეგულაციის მიხედვით)	98 დბ(A)
ვიბრაცია a <sub>h</sub>	0,25 მ/წმ <sup>2</sup> K=1,5 მ/წმ <sup>2</sup>

KA

■ მითითებული ვიბრაციის სრული სიდიდე გაზომილია სტანდარტული ტესტირების მეთოდის გამოყენებით და შესაძლოა გამოყენებულ იქნას ერთი მოწყობილობის მეორესთან შედარებისას;

■ მითითებული ვიბრაციის სრული სიდიდე ასევე შესაძლოა გამოყენებულ იქნას ზემოქმედების წინასწარი შეფასებისას.

**შენიშვნა:** ელექტრო ხელსაწყოთა ფაქტობრივი გამოყენებისას ვიბრაციის ემისია შესაძლოა განსხვავდებოდეს მითითებული სიდიდისგან; მომხმარებელმა მოწყობილობით სარგებლობისას საჭიროა გამოიყენოს ხელთათმანები და სმენის დამცავი საშუალებები.

## შეფუთვის ფურცელი (სურ. A1)

### აღწერილობა

#### შეისწავლეთ თქვენი საბერველა (ნახ. A1)

1. რეგულირებადი სამაგრი ღვედი
2. ვერტიკალურ მდგომარეობაში შენახვის სამაგრი
3. ზურგჩანთის ფირფიტა
4. საკონტროლო სახელური
5. კონუსური საჭმენი
6. საბერველას მილი
7. მილის დამჭერი
8. საკონტროლო სახელურის მილი
9. მართვის სახელურის მომჭერი
10. სილფონის მომჭერი
11. გოფირებული მილი
12. ჰაერის ჭავლის შესავალი
13. დამხმარე სახელური
14. ელექტრო კონტაქტები
15. ჩამკეტი
16. აკუმულატორის გამშვები ღილაკი
17. სახელური
18. ჭავლის სიჩქარის ტრიგერი
19. სიჩქარის ჩამკეტი ღილაკი

20. LED განათება
21. LCD ეკრანი
22. შუქდიოდური შუქის ღილაკი
23. ტურბოს ღილაკი
24. სწრაფი გამოთავისუფლების ბერკეტები
25. Bluetooth-ის ინდიკატორი
26. საწვავის დონის მაჩვენებელი
27. გამაგრილებლის პიქტოგრამა
28. ტურბოს ინდიკატორი
29. ჰაერის სიჩქარის მაჩვენებელი
30. სიჩქარის ჩამკეტი ხატულა
31. აკუმულატორის პიქტოგრამა

## ნაკრები

**▲ გაფრთხილება:** თუ რომელიმე ნაწილი დაზიანებულია ან დაკარგულია, არ ისარგებლოთ მოწყობილობით, სანამ ყველა ნაწილი არ შეიცვლება. დაზიანებული ან დაკარგული ნაწილების მქონე მოწყობილობით სარგებლობას შესაძლოა მოჰყვეს სერიოზული ზიანი.

**▲ გაფრთხილება:** არ სცადოთ ხელსაწყოს გადაკეთება ან ისეთი ნაწილების გამოყენება, რომლებიც არაა რეკომენდებული ამ საბერველასთვის. ნებისმიერი მსგავსი ცვლილება ან მოდიფიკაცია არის მოწყობილობის არასათანადო გამოყენება და შესაძლოა წარმოქმნას სახიფათო მდგომარეობა, რომელმაც შესაძლოა გამოიწვიოს სერიოზული პირადი ზიანი.

**▲ გაფრთხილება:** უცაბედი ჩართვის გამოსარიცხად, რომელმაც შესაძლოა გამოიწვიოს სერიოზული პერსონალური ზიანი, ყოველთვის მოხსენით აკუმულატორი ხელსაწყოს, როდესაც ხდება მისი აწყობა.

### საბერველას მილების აწყობა

#### საკონტროლო-სახელურიანი მილის დაკავშირება გოფირებულ მილთან

1. მოსახერხებლად ასაწყობად, მოათავსეთ საბერველა ისე, რომ საყრდენი ალჭურვილობა ზევითკენ იყოს მიმართული, როგორც ნაჩვენებია ნახ. B1-ზე.
2. მოუშვით და მოხსენით ორი ხრახნი

სილფონის მომჭერის ერთი მხრიდან, ნაწილობრივ გახსენით სილფონის მომჭერი, მაგრამ დარწმუნდით, რომ სილფონის კიდეზე არსებული ჩანართი სრულად არის ჩართული სამაგრის ჭრილში (ნახ. B2).

3. ჩადეთ მართვის სახელურის მილის უკანა ბოლო სილფონში, სანამ უკანა ბოლო ზედაპირი არ შეეხება სილფონის მომჭერის ბოლოს ზედაპირს (ნახ. B3).
4. სილფონის მომჭერი შეიძლება მთლიანად დაიხუროს, როდესაც საკონტროლო სახელურის მილი სწორად არის დაკავშირებული სილფონებთან. მაგრად მოუჭირეთ სილფონის მომჭერის ჭანჭიკებს (ნახ. B4).

B1-1	სამაგრი ალჭურვილობა	B1-2	გოფირებული მილი
B2-1	ხრახნები	B2-2	ბუდე
B2-3	ჩანართი	B2-4	სილფონის მომჭერი
B3-1	საკონტროლო სახელურის მილი	B3-2	უკანა ბოლო
B3-3	უკანა ბოლო ზედაპირი	B3-4	სილფონის მომჭერის ბოლოს ზედაპირი

#### საბერველას მილის დაკავშირება საკონტროლო-სახელურიანი მილთან

1. მოუშვით და მოხსენით სწრაფი გამოთავისუფლების ბერკეტი და ქანჩყურა საბერველას მილზე დამონტაჟებული მილის მომჭერიდან (ნახ. C1).
2. გაასწორეთ სიღრუე საბერველას მილში საკონტროლო-სახელურის მილით, გადაასრიალეთ საბერველას მილი საკონტროლო სახელურის მილზე რამდენადაც ეს შესაძლებელი იქნება (ნახ. C2).
3. მოათავსეთ სწრაფი გამოთავისუფლების ბერკეტის ღერო და ჩაკეტეთ ბერკეტი მილის დამჭერზე (ნახ. C3).
4. მოუჭირეთ ქანჩყურა, რათა ჩამაგროთ

KA

მილის დამჭერი (ნახ. C4).

C1-1	საბერველას მილი	C1-2	მილის დამჭერი
C1-3	სწრაფი გამოთავისუფლების ბერკეტი	C1-4	ქანჩყურა
C2-1	საბერველას მილის ღარი	C2-2	მართვის სახელურის მილის წიბო

### კონუსური საჭმენის დაკავშირება საბერველას მილთან

1. მილზე გაასწორეთ საღრუე საჭმენში ჩამკეტით. დააჭირეთ საჭმენს მილზე, სანამ ის უსაფრთხოდ არ ჩაიკეტება ადგილზე (ნახ. D1).
2. **საჭმენის მოსახსნელად**, დააჭირეთ და დააყოვნეთ თითო საჭმენის მოსახსნელ დილაკზე, რათა გახსნათ ჩამკეტი და შემდეგ გამოქაჩეთ საჭმენი საბერველას მილიდან (ნახ. D2).

D1-1	საჭმენის მომხსნელი დილაკი	D1-2	ჩამკეტი
------	---------------------------	------	---------

## ექსპლუატაცია

**⚠️ გაფრთხილება:** შეეცადეთ მსგავსი პროდუქტის გამოყენების გამოცდილებამ არ გამოიწვიოს თქვენი უფულისყურობა. დაიმახსოვრეთ, რომ უფულისყურობამ წამის მკათედშიც კი შესაძლოა მოგიტანოთ სერიოზული ზიანი.

**⚠️ გაფრთხილება:** არ გამოიყენოთ სხვა ნებისმიერი ნაწილი, რომელიც არაა რეკომენდებული ამ მოწყობილობის მწარმოებლის მიერ. არარეკომენდირებული ნაწილის გამოყენებამ შესაძლოა მოგაყენოთ სერიოზული ზიანი.

**⚠️ გაფრთხილება:** ყოველთვის მოხსენით აკუმულატორი ხელსაწყოს, როდესაც ხდება მისი აწყობა, რეგულირება, წმენდა ან როდესაც არ ხდება ხელსაწყოს გამოყენება. აკუმულატორის მოხსნა გამორიცხავს მოწყობილობის უცაბედ ჩართვას, რამაც შესაძლოა მოგაყენოთ სერიოზული პირადი დაზიანება.

ყოველი გამოყენების წინ შეამოწმეთ მთლიანი

ხელსაწყო შესაძლო დაზიანებულ, დაკარგულ ან მოშვებულ ნაწილებზე, როგორცაა ხრახნები, ქანჩები, ჭანჭიკები, ხუფები და ა.შ. მაგრად მოუჭირეთ ყველა სამაგრი და ხუფი და არ ამუშაოთ მოწყობილობა, სანამ არ მოხდება ყველა დაკარგული ან დაზიანებული ნაწილის გამოცვლა.

### გამოყენება

თქვენ შეგიძლიათ გამოიყენოთ მოწყობილობა ქვემოთ ჩამოთვლილი მიზნებისთვის:

- ფოთლებისა და ეზოს სხვადასხვა ნამსხვრევების გაწმენდა გაზონებიდან და მულის არხებიდან.
- მყარი ზედაპირების გასუფთავება, როგორცაა შენობასთან მისასვლელი გზა ან ქვეითაა ბილიკი.
- შენობასთან მისასვლელი გზისა და ტერასის ფოთლებისგან და წიწვებისგან გასუფთავება.

**შენიშვნა:** ხელსაწყოს გამოყენება შესაძლებელია მხოლოდ დანიშნულებისამებრ. სხვა ნებისმიერი სახით გამოყენება ჩაითვლება, როგორც არასწორი გამოყენების შემთხვევა.

### აკუმულატორის ბლოკის ჩამაგრება/მოხსნა

გამოიყენეთ მხოლოდ ნახ. A2-ში ჩამოთვლილი EGO-ს აკუმულატორის ბლოკები და დამტენები.

დეტალური მითითებებისთვის იხილეთ აკუმულატორისა და დამტენის სახელმძღვანელოები.

### სრულად დატენვით პირველად გამოყენებამდე.

**შენიშვნა:** გაუმუშავებელი მუშაობისთვის ჩვენ რეკომენდაციას ვუწვევთ EGO 56 ვოლტიან BA3360T (6.0 Ah) აკუმულატორის ბლოკს ან სხვა EGO 56 ვოლტიან უფრო მაღალი ამპერაჟის მქონე აკუმულატორს.

საბერველას აქვს აკუმულატორის ორი აქტიური პორტი აკუმულატორის პორტის ბუდის მარჯვენა და მარცხენა მხარეს.

**შენიშვნა:** საბერველას შეუძლია იმუშაოს ერთი ან ორი აკუმულატორით. ორი აკუმულატორის გამოყენება განაპირობებს უფრო ხანგრძლივ სამუშაო დროს, ენერჯის უფრო ეფექტურ გადაცემას, რაც უზრუნველყოფილია PEAK POWER™ ტექნოლოგიით.

თუ აკუმულატორის ბლოკები მოთავსებულია შესაბამის პორტებში, რომლებიც ზურგანთის ფირფიტაზე მონიშნულია 1 ან 2 ციფრებით,

KA

და საბერველა ჩართულია, შესაბამისი აკუმულატორის ხატულა გაანათებს LCD ეკრანზე (ნახ. E1).

**მიმაგრება (ნახ. E2)**

გაუსწორეთ აკუმულატორის სამაგრები ბუდის ნასვრეტებს და დააწიეთ აკუმულატორის ბლოკს, სანამ არ გაიგებთ „წკაპუნის“ ხმას. ჩასვით სხვა აკუმულატორი.

**მოხსნა**

დააჭირეთ აკუმულატორის გამშვებ დილაკს და ამოიღეთ აკუმულატორის ბლოკი.

**⚠ გაფრთხილება:** ყოველთვის შეამოწმეთ თქვენი ფეხების, ბავშვების ან მინაური ცხოველების მდებარეობა აკუმულატორის გამშვები დილაკის დაჭერისას. აკუმულატორის დავარდნამ შესაძლოა გამოიწვიოს სერიოზული ფიზიკური ზიანი. არასდროს მოხსნათ აკუმულატორი სიმაღლეზე.

E1-1	აკუმულატორის პორტების ნომერი	E1-2	LCD ეკრანი
E1-3	აკუმულატორის პიქტოგრამა	E2-1	აკუმულატორის სამაგრი
E2-2	სამაგრი დიობი	E2-3	აკუმულატორის მოხსნის დილაკი

**საბერველა-ზურგანათის პოზიციონირება**

**⚠ გაფრთხილება:** ჩაიცვით შესაბამისად, რათა შეამციროთ დაზიანების რისკი მანქანით სარგებლობის დროს. არ ჩაიცვათ განიერი, ფრიალა ტანსაცმელი და არ გაიკეთოთ ძვირფასეულობა. მოირგეთ თვალის და ყურის/სმენის დამცავი საშუალებები. ჩაიცვით სამუშაო გრძელი შარვალი, ჩექმა და ხელთათმანები. დაუშვებელია მოკლე შორტის ან სანდლების ჩაცმა ან ფეხშიშველა სიარული.

ზურგზე მოსაკიდებელ საბერველას გამოყენებამდე ოპერატორმა უნდა გაიკეთოს თვალის დამცავი და ჩაიცვას სათანადო ტანსაცმელი და ფეხსაცმელი უნდა იყოს გათანასწორებული.

**სამაგრი ღვედის რეგულირებისთვის**

1. მოქაჩეთ ზურგანათის ფირფიტის ორი თასმა, რათა აღკაზმულობა საიმედოდ დამაგრდეს ზურგანათის ფირფიტაზე (ნახ. F1).

2. საჭიროების შემთხვევაში დაარეგულირეთ ზურგისა და წელის ბალიშები თქვენი კომფორტისთვის.

■ მოუშვით მხრის თასმებს, ამოიღეთ უკანა ბალიშები Velcro-დან და გადაიტანეთ ბალიშები სასურველ პოზიციაზე. შემდეგ მოქაჩეთ მხრის თასმები ბალიშების დასამაგრებლად (ნახ. F2).

**შენიშვნა:** უკანა ბალიშებზე ჰორიზონტალური ხაზები ხელს უწყობს ორივე ბალიშის ერთსა და იმავე დონეზე მორგებას.

■ ამოიღეთ წელის ბალიში Velcro-დან და გადაიტანეთ ის სასურველ პოზიციაზე (ნახ. F3).

3. გაუყარეთ ხელები ზურგანათის აღჭურვილობას, რათა მოირგოთ საბერველა თქვენს ზურგზე. დროებით დაარეგულირეთ გულმკერდის თასმები კომფორტულ პოზიციაზე, დარწმუნდით, რომ მარჯვენა ხელის იდაყვი კომფორტულადაა, როცა მართვის სახელური გიჭირავთ (ნახ. F4).

4. შეკარით წელის შესაკრავი და დაარეგულირეთ წელის ღვედის სიგრძე ისე, რომ აღჭურვილობა უსაფრთხოდ დამაგრდეს თქვენს წელზე. თუ წელის შესაკრავი ძნელად იკვრება, დაარეგულირეთ ორივე გვერდითი თასმა თითოეულ მხარეს, რათა მარტივად შეიკრას (ნახ. F5).

**შენიშვნა:** ზურგანათი არ უნდა იყოს ძალიან მაღლა თქვენს ზურგზე; იგი ბარბაყებთან უფრო ახლოს უნდა იყოს, ვიდრე თქვენს მხრებთან.

**⚠ გაფრთხილება:** საგანგებო შემთხვევის დროს დაუყოვნებლივ მოუშვით წელის ბალიშები, რათა მოიხსნათ აღჭურვილობა. ეს არის სწრაფი მოხსნის მეთოდი.

5. ხელახლა დაარეგულირეთ მკერდის ღვედები სიმტკიცისა და კომფორტის მისაღწევად. დარწმუნდით, რომ

აღჭურვილობა მყარად არის ზურგზე მორგებული, ძირითადი წონა ეყრდნობა წელის ღვედს და ის არ აკეთებს ზედმეტ მოძრაობებს როცა მოძრაობთ (ნახ. F6).

- ღვედის დამატებითი სიგრძე ჩასვით ელასტიურ სამაგრში (ნახ. F7).
- არსებობს რამდენიმე სინათლის ამრეკლავი ზოლი უსაფრთხო მუშაობისთვის. არ დაფაროთ სინათლის ამრეკლავი ზოლები მუშაობის დროს (ნახ. F8).
- აღჭურვილობის ზურგიდან მოსახსნელად დააწეეთ წელის ბალთებს გასახსნელად და ჩამოუშვით საბერველა (ნახ. F9).**

F1-1	ღვედები	F1-2	ზურგჩანთის ფირფიტა
F2-1	მხარზე ჩამოსაკიდი ღვედები	F2-2	ჰორიზონტალური ხაზები
F3-1	წელის საგები	F4-1	მკერდის ღვედები
F5-1	წელის ღვედები	F5-2	წელის ბალთა
F5-3	ვერდიტა ღვედები	F7-1	ელასტიური
F7-2	ღვედის დამატებითი სიგრძე	F8-1	სინათლის ამრეკლავი ზოლები

### საკონტროლო სახელურის რეგულირება

- აუშვით სწრაფი გამოთავისუფლების ბერკეტი, რათა გადაადგილოთ საკონტროლო სახელური წინ ან უკან, როგორც საჭიროა (ნახ. G1 და G2) და ჩართეთ შემდეგ სწრაფი გამოშვების ბერკეტი, რათა უზრუნველყოთ სახელურის ადგილზე დამაგრება.
- კომფორტულად სარგებლობისთვის ასევე შეგიძლიათ დაატრიალოთ სახელური საჭიროებისამებრ (ნახ. G3).

G1-1	საკონტროლო სახელური	G1-2	სწრაფი გამოთავისუფლების ბერკეტი
------	---------------------	------	---------------------------------

### საკონტროლო სახელურის მილის სიგრძის რეგულირება (ნახ. H1, H2)

- აუშვით სწრაფი გამოთავისუფლების ბერკეტი (ნახ. H1).
- გადაადგილოთ საბერველას მილი კომფორტულ სამუშაო პოზიციას რეგულირების ზონის ფარგლებში (ნახ. H2).
- განათავსეთ სწრაფი გათავისუფლების ბერკეტი, საბერველას მილის ადგილზე დასამაგრებლად (ნახ. H2).

H1-1	სწრაფი გამოთავისუფლების ბერკეტი	H2-1	საბერველას მილი
H2-2	რეგულირების ზონა		

### საბერველას ჩართვა/გამორთვა

**შენიშვნა:** საბერველა შესაძლოა სათანადოდ არ ჩაირთოს, თუ აკუმულატორის ბლოკის ან საბერველას ტემპერატურა -15°C ან ნაკლებია. ასეთ შემთხვევაში მოხსენით აკუმულატორის ბლოკი საბერველადან და ორივე გაათბეთ შენობაში, 10 წუთის ან მეტი ხნის განმავლობაში. ხელახლა დააყენეთ აკუმულატორის ბლოკი და კიდევ სცადეთ.

### ჰაერის სიჩქარის ტრიგერი (ნახ. I1, I2)

**შენიშვნა:** LCD ეკრანზე საწვავის საზომის LED მიუთითებს, რომ აკუმულატორის დატენვის დონე დაბალია.

- საბერველას ჰაერის ჭავლის სიჩქარე კონტროლდება ცვლადი სიჩქარის ტრიგერით. მეტი დაწოლა ტრიგერზე წარმოქმნის მაღალი სიჩქარის ჭავლს; ნაკლები დაწოლა ტრიგერზე წარმოქმნის მცირე სიჩქარის ჭავლს. დაარეგულირეთ სიჩქარე შესასრულებელი სამუშაოს მიხედვით. შესაბამისი ჰაერის სიჩქარის ინდიკატორი გამოჩნდება LCD ეკრანზე.
- ხელი აუშვით ჭავლის სიჩქარის ტრიგერს, რათა გამორთოთ საბერველა. LCD ეკრანი გამოირთვება ტრიგერიდან თითის აშვებიდან გარკვეული პერიოდის განმავლობაში.

**შენიშვნა:** თუ გამოიყენება 4 ამპ/სთ-ზე ნაკლები სიმძლავრის აკუმულატორის ბლოკი, ჰაერის სიჩქარე შემოიფარგლება მხოლოდ ორ ზოლით.

**KA**



### ტურბო რეიმი

სანამ ჰაერის სიჩქარის ტრიგერზე დაჭერილია და დაყოვნებულია თითო, დააჭირეთ ტურბო ღილაკს ჰაერის ნაკადის მაქსიმალურ სიჩქარემდე გასაზრდელად (ნახ. II). ტურბოს მარკენებელი და ვენტლატორის ხატულა გაანათებს LCD ეკრანზე (ნახ. I3).

**შენიშვნა:** საბერველა დაუბრუნდება წინა სიჩქარით მუშაობას ტურბოს ღილაკზე ხელის გმვების შემდეგ.

### სიჩქარის დაბლოკვის რეიმი

სიჩქარის დაბლოკვის რეიმი გამოყენება შესაძლებელია საბერველას ასამუშაველად ჰაერის სიჩქარის ტრიგერზე უწყვეტი სახით დაჭერის გარეშე.

1. დააჭირეთ ჰაერის სიჩქარის ტრიგერს, სანამ არ მიალწევთ სასურველ სიჩქარეს (ნახ. II).
2. დააჭირეთ სიჩქარის ჩამკეტ ღილაკს. სიჩქარის დაბლოკვის ხატულა გაანათებს LCD ეკრანზე (ნახ. I4).
3. აუშვით ჰაერის სიჩქარის ტრიგერი, საფრქვევი გააგრძელებს მუშაობას „სასურველი“ სიჩქარით.

**შენიშვნა:** ტურბო ღილაკზე დაჭერას, სიჩქარის დაბლოკვის რეიმიში ყოფნისას, შეუძლია ჰაერის სიჩქარის მაქსიმალურ დონეზე დაბლოკვა. საბერველა გააგრძელებს წინა სიჩქარით მუშაობას ტურბო ღილაკზე კიდევ ერთხელ დაჭერის შემდეგ.

4. **სიჩქარის ბლოკის ასაშვებად** კვლავ დააჭირეთ სიჩქარის დაბლოკვის ღილაკს. სიჩქარის ხატულა გაქრება LCD ეკრანიდან და საბერველა გამოირთვება.

I1-1	ტურბოს ღილაკი	I1-2	სიჩქარის ჩამკეტი ღილაკი
I1-3	ჰაერის სიჩქარის ტრიგერი	I2-1	საწვავის დონის მარკენებელი
I2-2	ჰაერის სიჩქარის მარკენებელი	I2-3	აკუმულატორის პიქტოგრამა
I3-1	გამაგრებლობის პიქტოგრამა	I3-2	ტურბოს ინდიკატორი
I4-1	სიჩქარის ჩამკეტი ხატულა		

### LED განათება (ნახ. J)

LED განათება მოთავსებულია მართვის სახელურის წინ. ის უზრუნველყოფს განათებას ხილვადობის გაზრდის მიზნით.

დააჭირეთ LED განათების ღილაკს ერთხელ, რათა ჩართოთ შუქი, გამოსართავად კვლავ დააჭირეთ მას. ის ავტომატურად გამოირთვება საბერველას უმოქმედობის დაახლოებით 5 წუთის შემდეგ.

J-1	შუქდიოდური შუქის ღილაკი	J-2	LED განათება
-----	-------------------------	-----	--------------

### საკომუნიკაციო ტექნოლოგია

დაკავშირებული პროდუქტებისა და სერვისების სრული ასორტიმენტის შესახებ ინფორმაციისთვის, დაკავშირების ინსტრუქციების ჩათვლით, დაასკანირეთ ქვემოთ მოცემული QR კოდი ან ეწვიეთ

[www.egopowerplus.eu/connect](http://www.egopowerplus.eu/connect).



### ჰაერსაბერის გამოყენებასთან დაკავშირებული რეკომენდაციები

- დაუბრეთ ნარჩენი სხეულების გროვის გარეთა კიდების გასწვრივ, რათა თავიდან აიცილოთ მათი გაფანტვა. არასოდეს დაუბრეთ ნარჩენი საგნების გროვის ცენტრისკენ.
- ხმაურის შესამცირებლად შეზღუდეთ ერთდროულად გამოყენებული ხელსაწყოების რაოდენობა.
- გამოიყენეთ ფოცხი ან ცოცხი საგნების გასაფანტად საბერველას ჩართვამდე. მტრიან პირობებში, ოდნავ დასველეთ ზედაპირი, თუ წყალი ხელმისაწვდომია.
- მოერიდეთ ბავშვებს, შინაურ ცხოველებს, ღია ფანჯრებს ან ახლად გარეცხილ მანქანებს და სხვა მიმართულებით დაუბრეთ ნარჩენ საგნებს.
- საბერველას ან სხვა ხელსაწყოების გამოყენების შემდეგ, გაასუფთავეთ არე! მოახდინეთ ნარჩენი სხეულები ჯეროვანი უტილიზირება.

KA

## ტექნიკური მომსახურება

**⚠️ გაფრთხილება:** ტექნიკური მომსახურებისას გამოიყენეთ მხოლოდ იდენტური სათადარიგო ნაწილები. სხვა ნებისმიერი ნაწილის გამოყენებამ შესაძლოა შექმნას საფრთხე ან გამოიწვიოს მოწყობილობის დაზიანება. უსაფრთხოებისა და საიმედოობის უზრუნველსაყოფად, ყველა სახის შეკეთება უნდა ჩატარდეს ტექ. მომსახურების კვალიფიციური სპეციალისტის მიერ.

**⚠️ გაფრთხილება:** სერიოზული პირადი დაზიანების თავიდან ასაცილებლად, ყოველთვის მოხსენით აკუმულატორი პროდუქტს გაწმენდის დროს ან როდესაც უტარებთ რაიმე ტიპის სერვისს.

### ზოგადი სახის ტექნიკური მომსახურება

მოერიდეთ გამხსნელების გამოყენებას მოწყობილობის პლასტმასის ნაწილებს გაწმენდისას. პლასტმასების უმეტესობა ადვილად ზიანდება მათზე სხვადასხვა სახის კომერციული გამხსნელების გამოყენების შედეგად. გამოიყენეთ სუფთა ტილო ტალახის, მტერის, ზეთის, ცხიმის და სხვ. მოსაცილებლად.

**⚠️ გაფრთხილება:** არცერთ შემთხვევაში არ მისცეთ სამუხრუჭე სითხეს, ბენზინს, ნავთობის ბაზაზე დამზადებულ პროდუქტებს ან სხვა ძლიერ გამხსნელებს და ა.შ. იყვინენ პლასტმასის ნაწილებთან კონტაქტში. ქიმიურმა ნაერთებმა შესაძლოა დააზიანოს, გაცვიოს და დაშალოს პლასტმასი, რამაც შეიძლება მოგაყენოთ სერიოზული ზიანი.

**⚠️ გაფრთხილება:** მოკლე ჩართვით გამოწვეული ხანძრის, პირადი დაზიანებისა და პროდუქტის დაზიანების რისკის შესამცირებლად, არასოდეს ჩადოთ თქვენნი ხელსაწყო, აკუმულატორის ბლოკი ან დამტენი სითხეში და არ დაუშვათ ხელსაწყოში სითხის მოხვედრა. კოროზიულმა ან გამტარმა სითხეებმა, როგორცაა ზღვის წყალი,

გარკვეული სამრეწველო ქიმიკატები და მათეთრებელი ან მათეთრებელის შემცველი პროდუქტები და ა.შ., შეიძლება გამოიწვიოს მოკლე ჩართვა.

### შენახვა

- მოხსენით აკუმულატორის ბლოკი საბერველას.
- გაწმინდეთ საბერველას ჰაერის ჭავლის შესავალები ნებისმიერი უცხო ნარჩენებისგან.
- შეკარით ვერტიკალურად შენახვის სამაგრი, რათა მიამაგროთ საბერველას მილი აკუმულატორის პორტის კორპუსზე (ნახ. K).
- შეინახეთ ის ჩაკეტულ ადგილას, რომელიც ბავშვებისთვის მიუწვდომელია. მოაცილეთ კოროზიის გამომწვევი ნივთიერებები, როგორცაა სოფლის მეურნეობაში გამოყენებული ქიმიკატები და მოყინვის საწინააღმდეგო ტექნიკური მარილი.

K-1	ვერტიკალურ მდგომარეობაში შენახვის სამაგრი
-----	---

### გარემოს დაცვა



არ მოათავსოთ ელექტრო მოწყობილობა, დამტენი და აკუმულატორი საყოფაცხოვრებო ნაგავში! მიუტანეთ პროდუქტი ნარჩენების ავტორიზირებულ გადამამუშავებელს და უზრუნველყავით ასეთი ნარჩენის განცალკევებულად შეგროვება. ელექტრო ხელსაწყოები უნდა ჩაბარდეს გარემოს თვალსაზრისით თავსებად ნარჩენების გადამამუშავებელ ობიექტს.



## დეფექტების აღმოჩენა და გამოსწორება

პრობლემა	მიზეზი	გადაჭრის გზა
საბერველა არ მუშაობს.	<ul style="list-style-type: none"> <li>აკუმულატორი არ არის შეერთებული საბერველაზე.</li> <li>ჰაერსაბერსა და აკუმულატორს შორის არ არის ელექტრო კონტაქტი.</li> <li>აკუმულატორის ბლოკი დაცლილია.</li> <li>აკუმულატორი ან საბერველა ზედმეტად გაცხელებულია.</li> <li>დაზიანებული ჰაერის ჭავლის სიჩქარის ტრიგერი.</li> <li>აკუმულატორის ბლოკი ან საბერველა ძალიან ცივია.</li> </ul>	<ul style="list-style-type: none"> <li>მიუერთეთ აკუმულატორი საბერველას.</li> <li>მოხსენით აკუმულატორის ბლოკი, შეამოწმეთ კონტაქტები და კვლავ მოათავსეთ იგი უკან.</li> <li>დატენეთ აკუმულატორის ბლოკი.</li> <li>აცალეთ საბერველას ან აკუმულატორის ბლოკს გაგრილება 67°C-ზე ქვევით.</li> <li>მიმართეთ EGO-ს კლიენტთა მომსახურების ცენტრს შეკითხვისთვის.</li> <li>ამოიღეთ აკუმულატორის ბლოკი, გაათბეთ ის და საბერველა შენობის შიგნით. რეკომენდებულია აკუმულატორის ბლოკის სრულად დატენვა და საბერველას დაბალი სიჩქარით ამუშავება ტურბო რეჟიმის გააქტიურების გარეშე.</li> </ul>
როდესაც ჰაერის სიჩქარის ტრიგერზე დაჭერილია, LCD ეკრანზე გამოჩნდება ჰაერის სიჩქარის მხოლოდ ორი ქვედა ხატულა.	<ul style="list-style-type: none"> <li>გამოყენებულია დაბალი ამპ/სთ აკუმულატორის ბლოკი.</li> </ul>	<ul style="list-style-type: none"> <li>გამოიყენეთ 4.0 ან მეტი ამპ/სთ აკუმულატორის ბლოკები.</li> </ul>
სიჩქარის დაბლოკვის რეჟიმის ჩართვა ან გამართვა შეუძლებელია.	<ul style="list-style-type: none"> <li>დაზიანებულია სიჩქარის დაბლოკვის დილაკი.</li> </ul>	<ul style="list-style-type: none"> <li>მიმართეთ EGO-ს კლიენტთა მომსახურების ცენტრს შეკითხვისთვის.</li> </ul>
ჰაერის სიჩქარე შესამჩნევად შემცირებულია.	<ul style="list-style-type: none"> <li>აკუმულატორის მუხტი დამჯდარია.</li> <li>მოტორის ვენტილატორის მნიშვნელოვანი ცვეთა.</li> <li>ჰაერის ჭავლის შესავალი დახმულია უცხო ნარჩენებით.</li> </ul>	<ul style="list-style-type: none"> <li>დატენეთ აკუმულატორის ბლოკი.</li> <li>გასარემონტებლად დაუკავშირდით EGO სერვის ცენტრს.</li> <li>მოხსენით აკუმულატორის ბლოკი ხელსაწყოს, გაწმინდეთ ნარჩენი სხეულები.</li> </ul>
LCD ეკრანი არ მუშაობს გამართულად.	<ul style="list-style-type: none"> <li>დაზიანებულია LCD ეკრანი ან მავთულის კავშირი.</li> </ul>	<ul style="list-style-type: none"> <li>გასარემონტებლად დაუკავშირდით EGO სერვის ცენტრს.</li> </ul>
საწვავის დონის მანიშნებელი 1 LED ხატულა ანთია LCD ეკრანზე.	<ul style="list-style-type: none"> <li>აკუმულატორის მუხტი დამჯდარია.</li> </ul>	<ul style="list-style-type: none"> <li>დატენეთ აკუმულატორის ბლოკი.</li> </ul>

KA

## გარანტია

### ego-ს საგარანტიო პოლიტიკა

გთხოვთ, ეწვიოთ ვებ-გვერდს [egopowerplus.eu](http://egopowerplus.eu), და გაეცნოთ ego-ს საგარანტიო პოლიტიკის წესებს და პირობებს სრულად.

**PROČITAJTE SVA UPUTSTVA!**

Pročitajte Priručnik za rukovaoca

**⚠ UPOZORENJE:** Da bi se osigurala sigurnost i pouzdanost, sve popravke treba da radi kvalifikovani servisni tehničar.

**SIGURNOSNI SIMBOLI**

Svrha sigurnosnih simbola je da vam skrenu pažnju na moguće opasnosti. Sigurnosni simboli i objašnjenja uz njih zaslužuju vašu pognu pažnju i shvatanje. Simboli upozorenja, sami po sebi, ne eliminišu nikakve opasnosti. Uputstva i upozorenja koja oni daju nisu zamena za odgovarajuće mere sprečavanja nezgoda.

**⚠ UPOZORENJE:** Obavezno pročitajte i shvatite sva sigurnosna uputstva u ovom Priručniku za rukovaoca, obuhvatajući i sve simbole sigurnosnih upozorenja poput „**OPASNOST**“, „**UPOZORENJE**“ i „**OPREZ**“ pre korišćenja ove mašine. Nepridržavanje svih dole navedenih uputstava može da dovede do strujnog udara, požara i/ili ozbiljne telesne povrede.

**ZNAČENJE SIMBOLA**

**⚠ SIMBOL SIGURNOSNOG UPOZORENJA:** Ukazuje na **OPASNOST**, **UPOZORENJE** ili **OPREZ**, može se koristiti zajedno sa drugim simbolima ili piktogramima.

**BEZBEDNOSNE NAPOMENE**

Ova stranica prikazuje i opisuje sigurnosne simbole koji mogu da se pojave na ovom proizvodu. Pročitajte, shvatite i sledite sva uputstva na mašini pre no što pokušate da je sklopite i da rukujete njom.



Sigurnosno upozorenje



Uvek nosite zaštitu za uši kad rukujete ovim proizvodom.



Držite sve prolaznike na udaljenosti od najmanje 15 m.



Otpadni električni proizvodi ne smeju da se odlažu sa otpadom iz domaćinstva. Odnosite ih u ovlašćeni centar za reciklažu.



Jednosmerna struja



Nemojte gledati u uključenu lampu.

IPX5

Zaštita od mlazova vode

B

Napon

°C

Celzijus

N

Njuti



Radi smanjenja opasnosti od povreda, korisnik treba da pročita priručnik za rukovaoca.



Uvek nosite sigurnosne naočare ili sigurnosne naočare sa bočnim štitičima i po potrebi masku za celo lice kad rukujete ovim proizvodom.



Garantovani nivo zvučne snage. Emisija buke u okruženju u skladu je sa Direktivom Evropske unije.



Ovaj proizvod je u skladu sa primenljivim Direktivama EU.



Ocenjena usklađenost u UK



Bluetooth® simbol

kg

Kilogram

m³/h

Kubni metri na sat

m/s

Metri u sekundi

**SR**

## SPECIFIKACIJE

Napon	56 V
Maksimalna zapremina vazduha	1870 m <sup>3</sup> /h
Maksimalna brzina vazduha	85 m/s
Maksimalna sila duvanja	36 N
Opseg radne frekvencije za Bluetooth	2400-2438 MHz
Maksimalna snaga prenosa za Bluetooth	5 dBm
Težina (bez baterije)	9,6 kg
Preporučena radna temperatura	0d -15 do +40 °C
Preporučena temperatura skladištenja	0d -20 do +70 °C
Izmereni nivo jačine zvuka L <sub>WA</sub>	96 dB(A) K=1,4 dB(A)
Nivo zvučnog pritiska kod uha rukovaoca L <sub>PA</sub>	83 dB(A) K=3 dB(A)
Garantovani nivo zvučne snage L <sub>WA</sub> (izmereno u skladu sa Direktivom 2000/14/EZ)	98 dB(A)
Vibracije a <sub>n</sub>	0,25 m/s <sup>2</sup> K=1,5 m/s <sup>2</sup>

- Deklarisana ukupna vrednost vibracije je izmerena u skladu sa standardnim metodom testiranja i može se koristiti za upoređivanje jednog alata sa drugim;
- Deklarisana ukupna vrednost vibracije može se koristiti i u preliminarnoj proceni izlaganja.

**OBAVEŠTENJE:** Emisija vibracija tokom stvarne upotrebe električnog alata može da se razlikuje od deklarisanе vrednosti u kojoj se alat koristi. Da bi se rukovalac zaštitio, korisnik bi trebalo da nosi rukavice i štitnike za uši u stvarnim uslovima korišćenja.

## POPIS PAKOVANJA (SLIKA A1)

### OPIS

#### UPOZNAJTE SVOJ DUVAČ (slika A1)

1. Podesivi potporni remeni

2. Kopča za uspravno skladištenje
3. Ploča ranca
4. Kontrolna ručica
5. Sušena mlaznica
6. Cev duvača
7. Spojnica cevi
8. Cev kontrolne ručice
9. Stezaljka kontrolne drške
10. Stezaljka meha
11. Meh
12. Ulaz vazduha
13. Pomoćna drška
14. Električni kontakti
15. Reza
16. Dugmad za oslobađanje baterija
17. Drška
18. Okidač za brzinu vazduha
19. Dugme za zaključavanje brzine
20. LED svetlo
21. LCD ekran
22. Dugme za LED svetla
23. Turbo dugme
24. Poluge za brzo oslobađanje
25. Bluetooth indikator
26. Pokazivač goriva
27. Ikonica ventilatora
28. Turbo indikator
29. Indikator brzine vazduha
30. Ikonica zaključavanja brzine
31. Ikonica za bateriju

## SKLAPANJE

**⚠ UPOZORENJE:** Ako su neki delovi oštećeni ili nedostaju, nemojte koristiti ovaj proizvod dok delovi ne budu zamenjeni. Korišćenje ovog proizvoda sa oštećenim ili nedostajućim delovima može dovesti do ozbiljnih telesnih povreda.

**⚠ UPOZORENJE:** Ne pokušavajte da modifikujete ovaj proizvod ili da pravite dodatke koji nisu preporučeni za korišćenje sa ovim duvačem. Svaka takva promena ili modifikacija je zloupotreba i može dovesti do opasnih uslova koji mogu da dovedu do ozbiljnih telesnih povreda.

SR

**⚠ UPOZORENJE:** Da biste sprečili nehotično pokretanje koje bi moglo izazvati ozbiljne telesne povrede, uvek uklonite baterije iz alata kad sklapate delove.

## SKLAPANJE CEVI DUVAČA

### Povezivanje cevi kontrolne ručice na meh

1. Za praktično sklapanje, postavite duvač sa potpornim remenima okrenutim gore kako je prikazano na slici B1.
2. Olabavite i uklonite dva vijka sa jedne strane stezaljke meha, delimično otvorite stezaljku meha ali vodite računa da jezičak na rubu meha bude potpuno angažovan u prorez na stezaljki (slika B2).
3. Umetnite zadnji kraj cevi kontrolne drške u meh dok površina zadnjeg kraja ne dodirne krajnju površinu stezaljke meha (slika B3).
4. Stezaljka meha se može potpuno zatvoriti kad cev kontrolne drške bude pravilno spojena sa mehom. Čvrsto zategnite vijke na stezaljki meha (slika B4).

B1-1	Potporni remeni	B1-2	Meh
B2-1	Vijci	B2-2	Prorez
B2-3	Jezičak	B2-4	Stezaljka meha
B3-1	Cev kontrolne ručice	B3-2	Zadnji kraj
B3-3	Površina zadnjeg kraja	B3-4	Krajnja površina stezaljke meha

### Povezivanje cevi duvača na cev kontrolne ručice

1. Olabavite i uklonite polugu za brzo oslobađanje i leptir navrtanj sa sklopa spojnice cevi fiksirane na cevi duvača (slika C1).
2. Poravnajte žleb na cevi duvača sa rebrom na cevi kontrolne ručice i navucite cev duvača na cev kontrolne ručice do kraja (slika C2).
3. Umetnite osigurač poluge za brzo oslobađanje i zatvorite polugu na spojnicu cevi (slika C3).
4. Zategnite leptir navrtanj da biste učvrstili spojnicu cevi (slika C4).

C1-1	Cev duvača	C1-2	Spojnicu cevi
C1-3	Poluga za brzo oslobađanje	C1-4	Leptir navrtanj
C2-1	Žleb na cevi duvača	C2-2	Rebro na cevi kontrolne drške

### Povezivanje sušene mlaznice na cev duvača

1. Poravnajte žleb na mlaznici i rezu na cevi. Gurnite mlaznicu na cev dok čvrsto ne škljocne na svoje mesto (slika D1).
2. **Da biste skinuli mlaznicu**, pritisnite i držite dugme da oslobađanje mlaznice da biste otpustili rezu, a zatim izvucite mlaznicu ravno iz cevi duvača (slika D2).

D1-1	Dugme za oslobađanje mlaznice	D1-2	Reza
------	-------------------------------	------	------

## RAD

**⚠ UPOZORENJE:** Nemojte dozvoliti da vas poznavanje ovog proizvoda učini nemarnim. Imajte na umu da je za nanošenje teških povreda dovoljan samo delić sekunde nepažnje.

**⚠ UPOZORENJE:** Ne koristite nikakve dodatke ili pribor koje nije preporučio proizvođač ovog proizvoda. Upotreba dodataka ili pribora koji nisu preporučeni može da dovede do ozbiljne telesne povrede.

**⚠ UPOZORENJE:** Uvek izvadite baterije iz proizvoda kad sklapate delove, podešavate, čistite ili kad ga ne koristite. Vađenje baterija će sprečiti nehotično pokretanje koje bi moglo da izazove ozbiljne telesne povrede.

Pre svake upotrebe pregledajte čitav proizvod radi oštećenih, nedostajućih ili labavih delova poput vijaka, navrtanja, zavrtnja, kapica itd. Čvrsto zategnite sve spojeve i kapice i ne rukujte ovim proizvodom dok svi nedostajući ili oštećeni delovi ne budu zamenjeni.

### PRIMENA

Ovaj proizvod možete da upotrebljavate za svrhe navedene u nastavku:

- Čišćenje lišća i raznovrsnog dvorišnog materijala sa travnjaka i malč leja.
- Čišćenje tvrdih površina poput prilaza i staza.
- Održavanje terasa i prilaza čistim od lišća i borovih iglica.

**OBAVEŠTENJE:** Alat treba koristiti samo za propisanu svrhu. Svaka druga upotreba smatra se slučajem zloupotrebe.

### POSTAVLJANJE/SKIDANJE BATERIJE

Upotrebljavajte samo complete baterija i punjače proizvođača EGO navedene na slici A2.

Pogledajte odgovarajuće priručnike za bateriju i punjač radi više detalja.

### Potpuno napunite pre prve upotrebe.

**NAPOMENA:** Za najbolji učinak preporučujemo upotrebu EGO 56 V akumulatora BA3360T (6,0 Ah) ili druge EGO 56 V akumulatora sa većom Ah oznakom.

Duvač ima dva aktivna porta za baterije na levoj i desnoj strani kućišta portova za baterije.

**NAPOMENA:** Duvač može da radi sa jednom ili dve baterije. Korišćenje dve baterije omogućava vam duže vreme rada i efikasno trošenje energije kojim upravlja PEAK POWER™ tehnologija.

Kad umetnete akumulatora u odgovarajuće portove za baterije označene sa 1 ili 2 na ploči ranca i uključite duvač, ikonica odgovarajuće baterije će se osvetliti na LCD ekranu (slika E1).

### Za spajanje (slika E2)

Poravnajte rebra baterije sa prorezima za montiranje u jednom portu i pritisnite akumulator nadole dok ne čujete „škljoc“. Spojite drugu bateriju.

### Za odvajanje

Pritisnite dugme za otključavanje baterije i izvucite bateriju.

**⚠ UPOZORENJE:** Uvek imajte u vidu položaj svojih stopala, dece ili kućnih ljubimaca kad pritisnete dugme za otključavanje baterije. Može doći do ozbiljnih povreda ako baterija ispadne. NIKAD ne vadite bateriju dok ste na visokom mestu.

E1-1	Broj portova za baterije	E1-2	LCD ekran
E1-3	Ikonica za bateriju	E2-1	Rebro baterije
E2-2	Prerez za montiranje	E2-3	Dugme za otključavanje baterije

### POSTAVLJANJE RANCA DUVAČA

**⚠ UPOZORENJE:** Obucite se propisno da smanjite rizik od povreda tokom rukovanja ovom mašinom. Nemojte nositi široku odeću ili nakit. Nosite zaštitne naočare i zaštitu uva/slaha. Nosite duge radne pantalone, duboke cipele i rukavice. Ne nosite kratke pantalone, sandale, papuče i ne radite bosi.

Pre korišćenja ranca duvača, osigurajte da rukovalac nosi zaštitu za oči i prikladnu odeću i da može da održava bezbedno i uravnoteženo uporište nogu.

### Za podešavanje potpornih remena

1. Povucite dva kaiša na ploči ranca da biste osigurali da

su remeni čvrsto spojeni na ploču ranca (slika F1).

2. Podesite ledne jastučice i lumbalni jastučić po potrebi, da vam bude udobno.

- Olabavite kaiše za ramena, odvojite ledne jastučice sa čička i pomerite jastučice u željeni položaj, zatim povucite kaiše za ramena da biste učvrstili jastučice na ranac (slika F2).

**NAPOMENA:** Horizontalne linije na lednim jastučicama pomažu da se oba jastučica podese na istom nivou.

- Odvojite lumbalni jastučić sa čička i pomerite jastučić u željeni položaj (slika F3).
3. Stavite ruke kroz remene da biste oslonili duvač na leđa. Privremeno podesite kaiše na grudima u udobne položaje, vodeći računa da laktu desne ruke bude udobno dok držite kontrolnu dršku (slika F4).
4. Zakopčajte kopču na struku i podesite dužinu kaiša na struku tako da vam remeni budu čvrsto oslonjeni na struk. Ako je kopču na struku teško zakopčati, podesite dva bočna kaiša sa obe strane da to olakšate (slika F5).

**NAPOMENA:** Remeni ne bi trebalo da vam budu previsoko na leđima; treba da budu namešteni bliže kukovima nego ramenima.

**⚠ UPOZORENJE:** Kad dođe do hitnog slučaja, odmah oslobodite kopču na struku da biste skinuli remene. To je metod brzog oslobađanja.

5. Ponovo podesite kaiše na grudima radi bezbednosti i udobnosti. Vodite računa da vam remeni stoje čvrsto na leđima, sa težinom oslonjenom na kaiš oko struka i bez prekomernih pokreta kad se pomerate (slika F6).
6. Umetnite višak dužine kaiša u lastiš (slika F7).
7. Postoji nekoliko traka koje reflektuju svetlo za bezbedan rad. Vodite računa da ne pokrijete trake koje reflektuju svetlo tokom rada (slika F8).
8. **Da biste skinuli remene s leđa**, samo pritisnite kopču na struku da biste je oslobodili i spustite duvač (slika F9).

F1-1	Kaiši	F1-2	Ploča ranca
F2-1	Kaiši na ramenima	F2-2	Horizontalne linije
F3-1	Lumbalni jastučić	F4-1	Kaiši na grudima
F5-1	Kaiši na struku	F5-2	Kopča na struku
F5-3	Bočni kaiši	F7-1	Lastiš
F7-2	Višak dužine kaiša	F8-1	Trake koje reflektuju svetlo

### Za podešavanje kontrolne ručice

- Otpustite polugu za brzo oslobađanje da biste pomerili kontrolnu ručicu napred ili nazad prema potrebi (slika G1 i G2) a zatim zatvorite polugu za brzo oslobađanje da biste učvrstili kontrolnu ručicu na tom mestu.
- Možete i da okrenete ručicu po potrebi, radi udobnosti (slika G3).

G1-1	Kontrolna ručica	G1-2	Poluga za brzo oslobađanje
------	------------------	------	----------------------------

### Za podešavanje dužine cevi kontrolne ručice (Slika H1, H2)

- Oslobodite polugu za brzo oslobađanje (slika H1).
- Pomerite cev duvača u udoban radni položaj unutar zone podešavanja (slika H2).
- Zatvorite polugu za brzo oslobađanje da biste učvrstili cev duvača na njenom mestu (slika H2).

H1-1	Poluga za brzo oslobađanje	H2-1	Cev duvača
H2-2	Zona podešavanja		

### POKRETANJE/ZAUSTAVLJANJE DUVAČA

**NAPOMENA:** Duvač možda neće pravilno startovati ako je temperatura akumulatora ili duvača -15 °C ili manje. U tom slučaju uklonite akumulator iz duvača i ostavite akumulator i duvač da se greju u zatvorenom prostoru 10 minuta ili duže. Ponovo instalirajte akumulator i pokušajte ponovo.

#### Okidač za brzinu vazduha (slika I1, I2)

- Pritisnite okidač za brzinu vazduha da biste uključili duvač; potom će LCD ekran prikazati pokazivač goriva, ikonicu baterije i indikator brzine vazduha.

**NAPOMENA:** 1 LED na pokazivaču goriva na LCD ekranu bljeska kad je napunjenost baterije niska.

- Brzina vazduha iz duvača se kontroliše okidačem varijabilne brzine. Veći pritisak na okidač daje veću brzinu duvanja; manji pritisak na okidač daje manju brzinu duvanja. Podesite brzinu tako da odgovara poslu koji obavljate. Odgovarajući indikator brzine vazduha će se prikazati na LCD ekranu.
- Pustite okidač za brzinu vazduha da biste isključili duvač. LCD ekran će se isključiti u određenom vremenskom roku nakon puštanja okidača.

**NAPOMENA:** Ako se koristi akumulator ispod 4 Ah, brzina vazduha je ograničena samo na dve trake.

### Turbo režim

Dok pritisate i držite okidač za brzinu vazduha, pritisnite turbo dugme da biste povećali protok vazduha na maksimalnu brzinu (slika I1). I turbo indikator i ikonica ventilatora će se osvetliti na LCD ekranu (slika I3).

**NAPOMENA:** Duvač će se vratiti na prethodnu brzinu kad budete pustili turbo dugme.

### Režim zaključane brzine

Zaključavanje brzine se može koristiti za rad duvačem bez neprestanog pritiskanja okidača za brzinu vazduha.

- Pritisnite okidač za brzinu vazduha dok ne dođete do željene brzine (slika I1).
- Pritisnite dugme za zaključavanje brzine. Ikonica zaključane brzine će se osvetliti na LCD ekranu (slika I4).
- Zatim pustite okidač za brzinu vazduha; duvač će nastaviti da radi na „željenoj“ brzini.

**NAPOMENA:** Pritisak na turbo dugme dok ste u režimu zaključane brzine može da zaključa brzinu vazduha na maksimalnom nivou. Duvač će nastaviti na prethodnoj brzini kad budete pritisnuli turbo dugme još jednom.

- Za oslobađanje zaključane brzine,** pritisnite dugme za zaključavanje brzine ponovo. Ikonica zaključavanja brzine će nestati sa LCD ekrana a duvač će se isključiti.

I1-1	Turbo dugme	I1-2	Dugme za zaključavanje brzine
I1-3	Okidač za brzinu vazduha	I2-1	Pokazivač goriva
I2-2	Indikator brzine vazduha	I2-3	Ikonica za bateriju
I3-1	Ikonica ventilatora	I3-2	Turbo indikator
I4-1	Ikonica zaključavanja brzine		

### LED SVETLO (slika J)

LED svetlo se nalazi na prednjoj strani kontrolne drške. Ono pruža osvetljenje za povećanu vidljivost.

Pritisnite dugme za LED svetlo jednom da biste uključili svetlo; pritisnite ga ponovo da biste isključili svetlo. Ono će se takođe automatski isključiti nakon približno 5 minuta neaktivnosti duvača.

J-1	Dugme za LED svetla	J-2	LED svetlo
-----	---------------------	-----	------------

## KOMUNIKACIONA TEHNOLOGIJA

Za informacije o celoj paleti naših povezanih proizvoda i usluga, obuhvatajući i uputstva za povezivanje, skenirajte QR kod ispod ili posetite

[www.egopowerplus.eu/connect](http://www.egopowerplus.eu/connect).



## SAVETI ZA KORIŠĆENJE DUVAČA

- Da biste sprečili razbacivanje materijala, duvajte oko spoljašnjih ivica gomile materijala. Nikad ne duvajte direktno u centar gomile.
- Da biste smanjili nivo zvuka, ograničite broj komada opreme koji se koriste istovremeno.
- Koristite grablje i metlu da rastresete materijal pre duvanja. U prašnjavim uslovima, blago ovlažite površinu ako je voda dostupna.
- Pazite na decu, kućne ljubimce, otvorene prozore ili nedavno oprane automobile i duvajte materijal bezbedno dalje od njih.
- Nakon korišćenja duvača ili druge opreme, počistite za sobom! Odložite materijal pravilno na otpad.

## ODRŽAVANJE

**⚠ UPOZORENJE:** Tokom servisiranja, koristite samo identične rezervne delove. Upotreba bilo kakvih drugih delova može da dovede do opasnosti ili da izazove oštećenje proizvoda. Da bi se osigurala sigurnost i pouzdanost, sve popravke treba da radi kvalifikovani servisni tehničar.

**⚠ UPOZORENJE:** Da biste izbegli ozbiljne telesne povrede, uvek izvadite bateriju iz proizvoda kad ga čistite ili održavate.

## OPŠTE ODRŽAVANJE

Izbegavajte korišćenje rastvarača kada čistite plastične delove. Većina plastike je podložna oštećenjima od raznih tipova komercijalnih rastvarača i može se oštetiti njihovom upotrebom. Koristite čistu krpu da uklonite prijavštinu, prašinu, ulje, masnoću itd.

**⚠ UPOZORENJE:** Nemojte ni u kom trenutku dozvoliti da kočiona tečnost, benzin, proizvodi na bazi petroleja, penetraciono ulje itd. dođu u kontakt sa plastičnim delovima. Hemikalije mogu da oštete, oslabe ili unište

plastiku, što može da dovede do ozbiljne telesne povrede.

**⚠ UPOZORENJE:** Da biste smanjili rizik od požara, telesne povrede i oštećenja proizvoda zbog kratkog spoja, nikad ne potapajte mašinu, bateriju ili punjač u tečnost i ne dozvolite da tečnost uđe u njih. Korozivne ili provodničke tečnosti poput morske vode, određenih industrijskih hemikalija i izbeljivača ili proizvoda koji sadrže izbeljivač i sl. mogu da izazovu kratak spoj.

## SKLADIŠTENJE

- Izvadite akumulatore iz duvača.
- Očistite sav strani materijal iz ulaza vazduha na duvaču.
- Zakopčajte kopču za uspravno skladištenje da biste otključali cev duvača na kućište porta za bateriju (slika K).
- Skladištite u zatvorenom prostoru koji nije dostupan deci. Držite dalje od korozivnih sredstava, poput baštenskih hemikalija i soli za odmrzavanje.

K-1	Kopča za uspravno skladištenje
-----	--------------------------------

## ZAŠTITA ŽIVOTNE SREDINE



Ne odlazite električnu opremu, potrošene baterije i punjače u kućni otpad! Odnesite ovaj proizvod u ovlašćeni pogon za reciklažu ili ga odvojite od ostalog smeća radi zasebnog prikupljanja. Električni alati moraju se odneti u ekološki prihvatljiv pogon za reciklažu.

## REŠAVANJE PROBLEMA

PROBLEM	UZROK	REŠENJE
Duvač ne radi.	<ul style="list-style-type: none"> <li>■ Baterija nije spojena na duvač.</li> <li>■ Nema električnog kontakta između duvača i baterije.</li> <li>■ Punjenje baterije je potrošeno.</li> <li>■ Baterija ili duvač su prevrući.</li> <li>■ Oštećen okidač za brzinu vazduha.</li> <li>■ Baterija ili duvač su previše hladni.</li> </ul>	<ul style="list-style-type: none"> <li>■ Spojite bateriju na duvač.</li> <li>■ Izvadite bateriju, proverite kontakte i ponovo instalirajte bateriju.</li> <li>■ Napunite bateriju.</li> <li>■ Ohladite akumulator i duvač dok temperatura ne padne ispod 67 °C.</li> <li>■ Obratite se EGO korisničkoj službi za popravku.</li> <li>■ Uklonite akumulator i ostavite akumulator i duvač da se zagreju u zatvorenom prostoru. Preporučuje se da potpuno napunite akumulator i startujete duvač na maloj brzini bez aktiviranja turbo režima.</li> </ul>
Kad pritisnete okidač za brzinu vazduha, samo donje dve ikonice brzine vazduha se prikazuju na LCD ekranu.	<ul style="list-style-type: none"> <li>■ Koristite akumulator sa niskim Ah.</li> </ul>	<ul style="list-style-type: none"> <li>■ Koristite akumulatore od 4,0 ili više Ah.</li> </ul>
Režim zaključane brzine ne može da se uključi ili isključi.	<ul style="list-style-type: none"> <li>■ Oštećeno dugme za zaključavanje brzine.</li> </ul>	<ul style="list-style-type: none"> <li>■ Obratite se EGO korisničkoj službi za popravku.</li> </ul>
Brzina vazduha je приметно smanjena.	<ul style="list-style-type: none"> <li>■ Napunjenost baterije je niska.</li> <li>■ Prekomerno habanje ventilatora motora.</li> <li>■ Ulaz vazduha je blokiran prljavštinom.</li> </ul>	<ul style="list-style-type: none"> <li>■ Napunite bateriju.</li> <li>■ Obratite se EGO servisu radi popravke.</li> <li>■ Izvadite akumulator; potom očistite prljavštinu.</li> </ul>
LCD ekran ne funkcioniše pravilno.	<ul style="list-style-type: none"> <li>■ LCD ekran ili spojne žice su oštećeni.</li> </ul>	<ul style="list-style-type: none"> <li>■ Obratite se EGO servisu radi popravke.</li> </ul>
1 LED na pokazivaču goriva na LCD ekranu bleska.	<ul style="list-style-type: none"> <li>■ Napunjenost baterije je niska.</li> </ul>	<ul style="list-style-type: none"> <li>■ Napunite bateriju.</li> </ul>

## GARANCIJA

### EGO POLITIKA GARANCIJE

Posetite veb-sajt [egopowerplus.eu](http://egopowerplus.eu) za kompletne uslove i odredbe EGO garantne politike.

SR



## PROČITAJTE UPUTSTVO U CIJELOSTI!



Pročitajte korisnički priručnik

**! UPOZORENJE!** Radi osiguranja sigurnosti i pouzdanosti, sve popravke treba obavljati kvalifikovani servisni tehničar.

## SIGURNOSNI SIMBOLI

Svrha sigurnosnih simbola je skretanje pažnje na moguće opasnosti. Sigurnosni simboli i njihova objašnjenja zahtijevaju vašu potpunu pažnju i razumijevanje. Simboli upozorenja sami po sebi ne isključuju opasnost. Uputstva i upozorenja koja simboli pružaju nisu zamjena za propisne mjere za prevenciju nesreća.

**! UPOZORENJE!** Prije upotrebe ove mašine pobrinite se da sva sigurnosna uputstva u ovom korisničkom priručniku, uključujući sve sigurnosne simbole kao što su "OPASNOST", "UPOZORENJE" i "OPREZ" pročitate s razumijevanjem. Zanemarivanje svih uputstava navedenih u nastavku može rezultirati strujnim udarom, požarom i/ili teškim tjelesnim povredama.

## ZNAČENJE SIMBOLA

**! SIGURNOSNI SIMBOL UPOZORENJA:** ukazuje na **OPASNOST**, **UPOZORENJE** ili **OPREZ** i može se upotrebljavati u kombinaciji s drugim simbolima ili piktogramima.

## SIGURNOSNE NAPOMENE

Na ovoj stranici slikovno su prikazani i objašnjeni sigurnosni simboli koji se mogu pojaviti na ovom proizvodu. Prije pokušaja sastavljanja i rukovanja, s razumijevanjem pročitajte sva uputstva na proizvodu i pridržavajte ih se.



Simbol upozorenja



Radi smanjenja opasnosti od povreda, korisnik treba pročitati korisnički priručnik.



Kada upotrebljavate ovaj proizvod, uvijek nosite zaštitu za sluh.



Kada upotrebljavate ovaj proizvod, uvijek nosite zatvorene zaštitne naočale ili zaštitne naočale s bočnim štitičima i štitičnik za cijelo lice.



Sve prisutne osobe držite na udaljenosti od najmanje 15 m.



Zagarantovani nivo zvučne snage. Emisija buke u okruženju u skladu je s Direktivom Evropske unije.



Otpadni električni proizvodi ne smiju se odlagati s otpadom iz domaćinstva. Odnosite ih u ovlašteni centar za reciklažu.



Ovaj proizvod je u skladu s primjenjivim direktivama EU.



Istosmjerna struja



Usklađenost ispitana u Velikoj Britaniji



Nemojte zuriti u radnu lampu.



Bluetooth® simbol

IPX5

Zaštita od vodenih mlazova

kg

Kilogram

B

Napon

m<sup>3</sup>/h

Kubni metar po sat

°C

Celzijus

m/s


Metar u sekundi

N

Njutn

BS

## TEHNIČKI PODACI

Napon	56 V 
Maksimalna količina zraka	1870 m <sup>3</sup> /h
Maksimalna brzina zraka	85 m/s
Maksimalna sila puhanja	36 N
Opseg radne frekvencije za Bluetooth	2400-2438 MHz
Maksimalna snaga prijensa za Bluetooth	5 dBm
Masa (bez kompleta baterija)	9,6 kg
Preporučena radna temperatura	-15°C - 40°C
Preporučena temperatura skladištenja	-20°C - 70°C
Izmjereni nivo zvučne snage L <sub>WA</sub>	96 dB(A) K=1,4 dB(A)
Nivo zvučnog pritiska kod uha rukovaoca L <sub>PA</sub>	83 dB(A) K=3 dB(A)
Zagarantovani nivo zvučne snage L <sub>WA</sub> (izmjereno u skladu s Direktivom 2000/14/EZ)	98 dB(A)
Vibracije a <sub>n</sub>	0,25 m/s <sup>2</sup> K=1,5 m/s <sup>2</sup>

- Deklarisane ukupne vrijednosti vibracija izmjerene su u skladu sa standardnom metodom ispitivanja i mogu se primjenjivati za poređenje jednog alata s drugim.
- Deklarisane ukupne vrijednosti vibracija mogu se primjenjivati i u preliminarnoj procjeni izloženosti.

**NAPOMENA!** Emisija vibracija tokom aktuelne upotrebe električnog alata može se razlikovati od deklarisanе vrijednosti u kojoj se alat upotrebljavao; korisnik radi zaštite treba nositi rukavice i štitnike za uši u aktuelnim uslovima upotrebe.

## SADRŽAJ PAKOVANJA (SL. A1)

### OPIS

#### UPOZNAJTE SVOJ PUHAČ LIŠČA (sl. A1)

1. Podesivi sistem za nošenje na leđima
2. Kopča za skladištenje u uspravnom položaju

3. Pločica ledne baterije
4. Upravljački rukohvat
5. Konusna mlaznica
6. Cijev puhača lišča
7. Obujmica cijevi
8. Cijev upravljačkog rukohvata
9. Obujmica upravljačkog rukohvata
10. Obujmica fleksibilnih spojnih komponenti
11. Fleksibilne spojne komponente
12. Ulazni otvor za zrak
13. Pomoćna ručka
14. Električni kontakti
15. Bravica
16. Dugmad za oslobađanje baterije
17. Ručka
18. Okidni prekidač za brzinu zraka
19. Dugme za održavanje brzine
20. LED svjetlo
21. LCD ekran
22. Dugme za LED svjetlo
23. Dugme turbo režima rada
24. Ručice za brzo otpuštanje
25. Bluetooth indikator
26. Indikator napunjenosti
27. Ikona ventilatora
28. Indikator turbo režima rada
29. Indikator brzine zraka
30. Ikona održavanja brzine
31. Ikona baterije

## SASTAVLJANJE

**⚠ UPOZORENJE!** Ako je bilo koji dio oštećen ili ako nedostaje, nemojte upotrebljavati ovaj proizvod dok ne zamijenite dijelove. Upotreba ovog proizvoda oštećenih dijelova ili dijelova koji nedostaju može rezultirati teškim tjelesnim povredama.

**⚠ UPOZORENJE!** Nemojte pokušavati da modifikujete ovaj proizvod ili da pravite pribor koji nije preporučen za upotrebu s ovim puhačem lišča. Sve takve izmjene ili modifikacije predstavljaju nepropisnu upotrebu i mogu rezultirati opasnim stanjima koja mogu dovesti do mogućih teških tjelesnih povreda.

**⚠ UPOZORENJE!** Radi sprečavanja iznenadnog pokretanja koje može uzrokovati teške tjelesne povrede, uvijek izvadite baterije iz alata kada postavljate dijelove.

## POSTAVLJANJE CIJEVI PUHAČA LIŠĆA

### Spajanje cijevi upravljačkog rukohvata s fleksibilnim spojnim komponentama

1. Za praktičnu montažu, postavite puhač lišća sa sistemom za nošenje na leđima okrenutim prema gore, kako je prikazano na sl. B1.
2. Otpustite i uklonite dva vijka na jednoj strani obujmice fleksibilnih spojnih komponenti, djelimično otvorite obujmicu fleksibilnih spojnih komponenti, ali vodite računa da jezičak na rubu fleksibilnih spojnih komponenti potpuno zahvati utor u obujmici (sl. B2).
3. Umetnite stražnji kraj cijevi upravljačkog rukohvata u fleksibilne spojne komponente dok stražnja krajnja površina ne dodirne krajnju površinu obujmice fleksibilnih spojnih komponenti (sl. B3).
4. Obujmica fleksibilnih spojnih komponenti može se potpuno zatvoriti kada se cijev upravljačkog rukohvata pravilno spoji na fleksibilne spojne komponente. Čvrsto pritegnite vijke obujmice fleksibilnih spojnih komponenti (sl. B4).

B1-1	Sistem za nošenje na leđima	B1-2	Fleksibilne spojne komponente
B2-1	Vijci	B2-2	Utor
B2-3	Jezičak	B2-4	Obujmica fleksibilnih spojnih komponenti
B3-1	Cijev upravljačkog rukohvata	B3-2	Stražnji kraj
B3-3	Stražnja krajnja površina	B3-4	Krajnja površina obujmice fleksibilnih spojnih komponenti

### Spajanje cijevi puhača lišća sa cijevi upravljačkog rukohvata

1. Otpustite i uklonite ručicu za brzo otpuštanje i krilnu maticu sa sklopa obujmice cijevi pričvršćenog na cijevi puhača lišća (sl. C1).
2. Poravnajte žlijeb u cijevi puhača lišća s rebrom na cijevi upravljačkog rukohvata i do kraja gurnite cijev puhača lišća preko cijevi upravljačkog rukohvata (sl. C2).
3. Umetnite osovinicu ručice za brzo otpuštanje i zatvorite ručicu na obujmici cijevi (sl. C3).

4. Pritegnite krilnu maticu za učvrstite obujmicu cijevi (sl. C4).

C1-1	Cijev puhača lišća	C1-2	Obujmica cijevi
C1-3	Ručica za brzo otpuštanje	C1-4	Krilna matica
C2-1	Žlijeb cijevi puhača lišća	C2-2	Rebro cijevi upravljačkog rukohvata

### Spajanje konusne mlaznice sa cijevi puhača lišća

1. Poravnajte žlijeb u mlaznici s bravicom na cijevi. Gurajte mlaznicu preko cijevi dok sigurno ne ulegne u mjesto (sl. D1).
2. Za uklanjanje mlaznice pritisnite dugme za otpuštanje mlaznice i držite ga pritisnutim da deaktivirate bravicu i mlaznicu zatim povucite ravno sa cijevi puhača lišća (sl. D2).

D1-1	Dugme za otpuštanje mlaznice	D1-2	Bravica
------	------------------------------	------	---------

## RAD

**⚠ UPOZORENJE!** Nemojte dozvoliti da vas poznavanje ovog proizvoda učini nepažljivim. Imajte na umu da je za nanošenje teških povreda dovoljan samo djelić sekunde nepažnje.

**⚠ UPOZORENJE!** Nemojte upotrebljavati priključke ili pribor koje nije preporučio proizvođač ovog proizvoda. Upotreba nepreporučenih priključaka ili pribora može rezultirati teškim tjelesnim povredama.

**⚠ UPOZORENJE!** Kada postavljate dijelove, obavljate radove podešavanja, čišćenja ili kada ne upotrebljavate proizvod, baterije uvijek izvadite iz proizvoda. Vađenjem baterija spriječit će se iznenadno pokretanje koje može rezultirati teškim tjelesnim povredama.

Prije svake upotrebe pregledajte cijeli proizvod u pogledu oštećenih dijelova, dijelova koji nedostaju ili otpuštenih dijelova, kao što su vijci, matice, matični vijci, kapice, itd. Dobro pritegnite sve pričvrstne elemente i kapice i nemojte upotrebljavati ovaj proizvod dok ne postavite sve dijelove koji nedostaju ili zamijenite sve oštećene dijelove.

### PRIMJENA

Ovaj proizvod možete upotrebljavati za svrhe navedene u nastavku:

- Uklanjanje lišća i drugog vrtnog otpada s travnjaka i

malčiranih gredica.

- Čišćenje čvrstih površina kao što su putevi i staze.
- Održavanje trijemova i puteva očišćenim od lišća i borovih iglica.

**NAPOMENA!** Alat se smije upotrebljavati samo za prethodno opisanu namjenu. Svaka druga upotreba smatra se nepropisnom upotrebom.

## POSTAVLJANJE/UKLANJANJE KOMPLETA BATERIJA

Proizvod upotrebljavajte samo s EGO kompletima baterija i punjačima koji su navedeni na sl. A2.

Detaljne upute potražite u odgovarajućim priručnicima za komplete baterija i punjač.

### Komplet baterija potpuno napunite prije prve upotrebe.

**NAPOMENA!** Za najbolji radni učinak preporučujemo upotrebu EGO kompleta baterija BA3360T (6,0 Ah) od 56 V ili bilo kojeg EGO kompleta baterija od 56 V većeg Ah kapaciteta.

Puhač lišća ima dva aktivna priključka za baterije na lijevoj i desnoj strani kućišta priključaka za baterije.

**NAPOMENA!** Puhač lišća može raditi s jednom baterijom ili dvije baterije. Upotreba dviju baterija omogućuje duže vrijeme rada i učinkovitu potrošnju energije kojom upravlja tehnologija PEAK POWER™.

Kada se kompleti baterija umeću u odgovarajuće priključke za baterije označene s 1 ili 2 na pločici ledne baterije, a puhač lišća je uključen, na LCD ekranu svijetli odgovarajuća ikona baterije (sl. E1).

### Postavljanje (sl. E2)

Poravnajte kontakte baterije s montažnim utorima i pritiščite komplet baterija prema dolje dok ne začujete zvuk "klikanja". Pričvrstite drugu bateriju.

### Skidanje

Pritisnite dugme za oslobađanje baterije i izvucite komplet baterija.

**⚠ UPOZORENJE!** Kada pritiščete dugme za oslobađanje baterije, uvijek pazite gdje vam se nalaze stopala, djeca ili kućni ljubimci. U slučaju pada baterije može doći do teških povreda. Bateriju nemojte NIKADA vaditi kada se nalazite visokom položaju.

E1-1	Broj priključaka za baterije	E1-2	LCD ekran
E1-3	Ikona baterije	E2-1	Kontakt baterije
E2-2	Montažni utor	E2-3	Dugme za oslobađanje baterije

## POZICIONIRANJE PUHAČA LIŠĆA S LEDNOM BATERIJOM

**⚠ UPOZORENJE!** Obucite se propisno kako biste smanjili rizik od povreda tokom rukovanja ovom mašinom. Nemojte nositi široku odjeću ili nakit. Nosite zaštitu za oči i uši/sluh. Nosite robusne duge hlače, čizme i rukavice. Nemojte nositi kratke hlače, sandale ili biti bosonogi.

Prije upotrebe puhača lišća s lednom baterijom pobrinite se da rukovalac nosi zaštitu za oči i odgovarajuću odjeću te da može da održava sigurno i uravnoteženo uporište.

### Podešavanje sistema za nošenje na leđima

1. Povucite dvije trake na pločici ledne baterije kako biste osigurali da je sistem za nošenje na leđima čvrsto pričvršćen na pločici ledne baterije (sl. F1).
2. Podesite ledne jastučice i lumbalne jastučice radi udobnosti, ako je potrebno.
  - Otpustite ramene trake, odvojite ledne jastučice od čičak trake i postavite ih u željeni položaj. Zatim povucite ramene trake da pričvrstite jastučice za lednu bateriju (sl. F2).

**NAPOMENA!** Vodoravne linije na leđnim jastučicama pomažu da se oba jastučica podese na istu visinu.

- Odvojite lumbalni jastučić od čičak trake i postavite ga u željeni položaj (sl. F3).
3. Provcite ruke kroz sistem za nošenje na leđima da poduprete puhač lišća na leđima. Privremeno namjestite prsne trake u udoban položaj, vodeći računa da lakat vaše desne ruke bude u udobnom položaju dok držite upravljački rukohvat (sl. F4).
  4. Zatvorite pojasnu kopču i podesite dužinu pojasnih traka tako da vam struk dobro podupire sistem za nošenje na leđima. Ako je pojasnu kopču teško zatvoriti, podesite dvije bočne trake sa svake strane da olakšate zatvaranje (sl. F5).

**NAPOMENA!** Sistem za nošenje na leđima ne smije biti previsoko na vašim leđima; potrebno ga je pozicionirati bliže kukovima nego ramenima.

**⚠ UPOZORENJE!** U hitnom slučaju odmah otpustite pojasnu kopču da skinete sistem za nošenje na leđima. Ovo je metoda brzog otpuštanja.

- Ponovo podesite prsne trake radi sigurnosti i udobnosti. Pobrinite se da sistem za nošenje na leđima bude dobro namješten na vašim leđima, tako da njegovu masu podržava pojasna traka i da se previše ne pomjera kada se krećete (sl. F6).
- Umetnite višak traka u gumu (sl. F7).
- Postoji nekoliko reflektirajućih traka za siguran rad. Vodite računa da reflektirajuće trake ne prekrijete tokom rada (sl. F8).
- Za skidanje sistema za nošenje na leđima s leđa, jednostavno pritisnite pojasnu kopču da ga otpustite i spustite puhač lišća (sl. F9).

F1-1	Trake	F1-2	Pločica ledne baterije
F2-1	Ramene trake	F2-2	Vodoravne linije
F3-1	Lumbalni jastučić	F4-1	Prsne trake
F5-1	Pojasne trake	F5-2	Pojasna kopča
F5-3	Bočne trake	F7-1	Gumica
F7-2	Dodatna dužina trake	F8-1	Reflektirajuće trake

### Podešavanje upravljačkog rukohvata

- Otpustite ručicu za brzo otpuštanje da upravljački rukohvat prema potrebi pomaknete naprijed ili nazad (sl. G1 i G2), a zatim upotrijebite ručicu za brzo otpuštanje da učvrstite upravljački rukohvat u mjestu.
- Rukohvat prema potrebi možete i okrenuti radi ugodnijeg položaja (sl. G3).

G1-1	Upravljački rukohvat	G1-2	Ručica za brzo otpuštanje
------	----------------------	------	---------------------------

### Podešavanje dužine cijevi upravljačkog rukohvata (sl. H1, H2)

- Otpustite ručicu za brzo otpuštanje (sl. H1).
- Pomaknite cijev puhača lišća u ugodan radni položaj u okviru zone podešavanja (sl. H2).
- Upotrijebite ručicu za brzo otpuštanje da cijev puhača lišća učvrstite u mjestu (sl. H2).

H1-1	Ručica za brzo otpuštanje	H2-1	Cijev puhača lišća
H2-2	Zona podešavanja		

### POKRETANJE/ZAUSTAVLJANJE PUHAČA LIŠĆA

**NAPOMENA!** Puhač lišća možda se neće pravilno pokrenuti ako je komplet baterija ili puhač lišća izložen temperaturi od -15 °C ili nižoj. U tom slučaju izvadite komplet baterija iz puhača lišća i pričekajte 10 minuta ili duže da se komplet baterija i puhač lišća zagriju u zatvorenom prostoru. Postavite komplet baterija u puhač lišća i pokušajte ponovo.

### Okidni prekidač za brzinu zraka (sl. I1, I2)

- Za uključivanje puhača lišća pritisnite okidni prekidač za brzinu zraka. Na LCD ekranu prikazat će se mjerač goriva, ikona baterije i indikator brzine zraka.

**NAPOMENA!** Kada je nivo napunjenosti baterije nizak, na LCD ekranu treperi 1 LED indikator nivoa napunjenosti.

- Brzinom zraka puhača lišća upravlja se pomoću okidnog prekidača za varijabilnu brzinu. Veći pritisak na okidač rezultira višim brzinama puhanja, a manji pritisak na okidač nižim brzinama puhanja. Prilagodite brzinu trenutnom zadatku. Na LCD ekranu prikazuje se odgovarajući indikator brzine zraka.
- Za isključivanje puhača lišća otpustite okidni prekidač za brzinu zraka. LCD ekran se isključuje nakon određenog vremena po otpuštanju okidnog prekidača.

**NAPOMENA!** Ako se upotrebljava komplet baterija kapaciteta nižeg od 4 Ah, brzina zraka ograničena je samo na dvije crtice.

### Turbo režim rada

Kada pritisnete okidni prekidač za brzinu zraka, pritisnite i dugme za turbo režim rada da povećate protok zraka na maksimalnu brzinu (sl. I1). Na LED ekranu svijetle indikator turbo režima rada i ikona ventilatora (sl. I3).

**NAPOMENA!** Kada se dugme za turbo režim rada otpusti, puhač lišća vraća se na prethodnu brzinu.

### Režim rada održavanja brzine

Za rad puhača lišća bez kontinuiranog pritiska na okidni prekidač za brzinu zraka možete upotrebljavati funkciju održavanja brzine.

- Pritišćite okidni prekidač za brzinu zraka dok ne dostignete željenu brzinu (sl. I1).
- Pritisnite dugme za održavanje brzine. Na LED ekranu svijetli ikona održavanja brzine (sl. I4).
- Zatim otpustite okidni prekidač za brzinu zraka i puhač lišća će nastaviti raditi na "željenoj" brzini.

**NAPOMENA!** Održavanje brzine zraka na maksimalnom nivou u režimu rada održavanja brzine obavlja se pritiskom na dugme turbo režima rada. Kada se još jednom pritisne

dugme turbo režima rada, puhač lišća nastavlja raditi na prethodnoj brzini.

4. Za izlazak iz režima održavanja brzine ponovo pritisnite dugme za održavanje brzine. Ikona održavanja brzine će nestati s LCD ekrana i puhač lišća će se isključiti.

I1-1	Dugme turbo režima rada	I1-2	Dugme za održavanje brzine
I1-3	Okidni prekidač za brzinu zraka	I2-1	Indikator napunjenosti
I2-2	Indikator brzine zraka	I2-3	Ikona baterije
I3-1	Ikona ventilatora	I3-2	Indikator turbo režima rada
I4-1	Ikona održavanja brzine		

## LED SVJETLO (sl. J)

LED svjetlo se nalazi na prednjoj strani upravljačkog rukohvata. LED svjetlo omogućuje osvjetljenje, a time i bolju vidljivost.

Za uključivanje svjetla jednom pritisnite dugme za LED svjetlo, a ponovo ga pritisnite za isključivanje svjetla. LED svjetlo automatski se isključuje za oko 5 sekundi ako puhač lišća nije aktivan.

J-1	Dugme za LED svjetlo	J-2	LED svjetlo
-----	----------------------	-----	-------------

## KOMUNIKACIJSKA TEHNOLOGIJA

Za informacije o našoj cjelokupnoj ponudi povezanih proizvoda i usluga, uključujući upute za povezivanje, skenirajte QR kod u nastavku ili posjetite internetsku stranicu

[www.egopowerplus.eu/connect](http://www.egopowerplus.eu/connect).



## SAVJETI ZA UPOTREBU PUHAČA LIŠĆA

- Radi izbjegavanja rasipanja otpada, puhač lišća usmjeravajte oko vanjskih rubova hrpe otpada. Puhač lišća nemojte nikada usmjeravati u sredinu hrpe.
- Ograničite broj opreme koja se upotrebljava u isto vrijeme da smanjite nivo buke.

- Za odvajanje otpada prije otpuhivanja upotrebljavajte grablje i metle. U prašnjavim uslovima blago navlažite površine ako je voda dostupna.
- Pazite na djecu, kućne ljubimce, otvorene prozore ili svježe oprane automobile i na siguran način otpušite otpad.
- Puhače lišća ili drugu opremu očistite nakon upotrebe! Propisno zbrinite otpad.

## ODRŽAVANJE

**⚠ UPOZORENJE!** Kada obavljate radove servisiranja, upotrebljavajte samo identične zamjenske dijelove. Upotreba drugih dijelova može uzrokovati opasnost ili oštećenje proizvoda. Radi osiguranja sigurnosti i pouzdanosti, sve popravke treba obavljati kvalifikovani servisni tehničar.

**⚠ UPOZORENJE!** Radi izbjegavanja teških tjelesnih povreda, uvijek izvadite bateriju iz proizvoda prije obavljanja radova čišćenja ili održavanja.

## OSNOVNO ODRŽAVANJE

Kada čistite plastične dijelove, izbjegavajte upotrebljavati rastvore. Mnoge plastike mogu se oštetiti različitim vrstama komercijalnih rastvora i mogu se oštetiti njihovom upotrebom. Za uklanjanje prljavštine, prašine, ulja, masti i sl. upotrebljavajte čistu krpu.

**⚠ UPOZORENJE!** Nemojte nikada dozvoliti da kočione tekućine, benzin, proizvodi na bazi nafte, penetrirajuća ulja i sl., dođu u kontakt s plastičnim dijelovima. Hemikalije mogu oštetiti, oslabiti ili uništiti plastiku, što može rezultirati teškim tjelesnim povredama.

**⚠ UPOZORENJE!** Radi smanjenja opasnosti od požara, tjelesnih povreda i oštećenja proizvoda uslijed kratkog spoja, mašinu, komplet baterija ili punjač nemojte nikada uranjati u tekućinu i nemojte dozvoliti da tekućina proдре u njih. Korozivne ili vodljive tekućine kao što su morska voda, neke industrijske hemikalije i izbjeljivač ili proizvodi koji sadrže izbjeljivač i sl. mogu izazvati kratki spoj.

## SKLADIŠTENJE

- Izvadite komplet/e baterija iz puhača lišća.
- Očistite sav strani materijal iz ulaznih otvora za zrak puhača lišća.
- Pričvrstite kopču za skladištenje u uspravnom položaju da cijev puhača lišća zakačite na kućište priključka za bateriju (sl. K).

- Alat skladištite u zatvorenom prostoru na mjestu nedostupnom djeci. Alat držite podalje od korozivnih sredstava kao što su vrtna hemijska sredstva i soli za odmrzavanje.

K-1	Kopča za skladištenje u uspravnom položaju
-----	--

#### ZAŠTITA ŽIVOTNE SREDINE



Električnu opremu, iskorištenu bateriju i punjač ne odlažite u kućni otpad! Ovaj proizvod odnesite u ovlaštenu centar za reciklažu i time omogućite odvojeno sakupljanje. Električne alate potrebno je vratiti u ekološki prihvatljiv pogon za reciklažu.

## RJEŠAVANJE PROBLEMA

PROBLEM	UZROK	RJEŠENJE
Puhač lišća ne radi.	<ul style="list-style-type: none"> <li>■ Komplet baterija nije pričvršćen na puhač lišća.</li> <li>■ Nema električnog kontakta između puhača lišća i baterije.</li> <li>■ Komplet/i baterija je ispražnjen.</li> <li>■ Komplet baterija ili puhač lišća je previše vruć.</li> <li>■ Oštećen oksidni prekidač za brzinu zraka.</li> <li>■ Komplet baterija ili puhač lišća je previše hladan.</li> </ul>	<ul style="list-style-type: none"> <li>■ Pričvrstite komplet baterija na puhač lišća.</li> <li>■ Izvadite komplet baterija, provjerite kontakte i ponovo stavite komplet baterija.</li> <li>■ Napunite komplet baterija.</li> <li>■ Pričekajte da se komplet baterija i puhač lišća ohlade na temperaturu ispod 67 °C.</li> <li>■ Za popravak se obratite centru korisničke službe proizvođača EGO.</li> <li>■ Izvadite komplet baterija i pričekajte da se komplet baterija i puhač lišća zagriju u zatvorenom prostoru. Preporučujemo da se komplet baterija potpuno napuni i da se puhač lišća pokrene na niskoj brzini bez aktivacije turbo režima rada.</li> </ul>
Kada se pritisne oksidni prekidač za brzinu zraka, na LCD ekranu prikazuju se samo dvije donje ikone brzine zraka.	<ul style="list-style-type: none"> <li>■ Upotrebljava se komplet baterija niskog kapaciteta Ah.</li> </ul>	<ul style="list-style-type: none"> <li>■ Upotrebljavajte komplet baterija kapaciteta od 4,0 Ah ili većeg.</li> </ul>
Režim rada održavanja brzine ne može se uključiti niti isključiti.	<ul style="list-style-type: none"> <li>■ Oštećeno dugme za održavanje brzine.</li> </ul>	<ul style="list-style-type: none"> <li>■ Za popravak se obratite centru korisničke službe proizvođača EGO.</li> </ul>
Brzina zraka je osjetno smanjena.	<ul style="list-style-type: none"> <li>■ Nivo napunjenosti baterije je nizak.</li> <li>■ Prekomjerna istrošenost ventilatora motora.</li> <li>■ Ulazni otvor za zrak blokiran je naslagama.</li> </ul>	<ul style="list-style-type: none"> <li>■ Napunite komplet baterija.</li> <li>■ Za popravak se obratite servisnom centru proizvođača EGO.</li> <li>■ Izvadite komplet baterija i očistite naslage.</li> </ul>
LCD ekran ne radi ispravno.	<ul style="list-style-type: none"> <li>■ LCD ekran ili žičani priključak su oštećeni.</li> </ul>	<ul style="list-style-type: none"> <li>■ Za popravak se obratite servisnom centru proizvođača EGO.</li> </ul>
Na LCD ekranu treperi 1 LED indikator nivoa napunjenosti.	<ul style="list-style-type: none"> <li>■ Nivo napunjenosti baterije je nizak.</li> </ul>	<ul style="list-style-type: none"> <li>■ Napunite komplet baterija.</li> </ul>

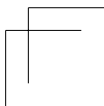
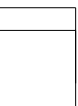
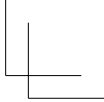
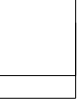
## GARANCIJA

### POLITIKA GARANCIJE PROIZVOĐAČA EGO

Za sve odredbe i uslove politike garancije proizvođača EGO posjetite internetsku stranicu [egopowerplus.eu](http://egopowerplus.eu).

BS





## ستكشاف الأعطال وإصلاحها

المشكلة	السبب	الحل
المنفاخ لا يعمل.	<ul style="list-style-type: none"> <li>مجموعة البطارية غير مركبة في المنفاخ.</li> <li>لا يوجد اتصال كهربائي بين المنفاخ والبطارية.</li> <li>نقد شحن مجموعة البطارية.</li> <li>مجموعة البطارية أو المنفاخ ساخنان للغاية.</li> <li>زناد سرعة الهواء متضرر.</li> <li>مجموعة البطارية أو المنفاخ باردان للغاية.</li> </ul>	<ul style="list-style-type: none"> <li>قم بتركيب مجموعة البطارية في المنفاخ.</li> <li>اخلع مجموعة البطارية، وافحص التوصيلات، ثم أعد تركيب مجموعة البطارية.</li> <li>اشحن مجموعة البطارية.</li> <li>اترك مجموعة البطارية والمنفاخ يبردان إلى أن تصل درجة حرارتهما إلى أقل من 67 درجة مئوية.</li> <li>تواصل مع قسم خدمة العملاء بشركة EGO لإصلاح العيب.</li> <li>قم بإخراج مجموعة البطارية من مكانها، ثم دع مجموعة البطارية والمنفاخ يذفنان داخل المنزل. من الموصى به شحن مجموعة البطارية بالكامل وتشغيل المنفاخ على سرعة منخفضة من دون تفعيل وضع "تربو".</li> </ul>
عند الضغط على زناد سرعة الهواء، يتم عرض أيقونتي سرعة الهواء السفليتين فقط على شاشة LCD.	<ul style="list-style-type: none"> <li>تم استخدام مجموعة بطارية ذات قدرة منخفضة.</li> </ul>	<ul style="list-style-type: none"> <li>استخدم مجموعات بطارية بقدرة 4.0 أمبير في الساعة أو أعلى.</li> </ul>
لا يمكن تشغيل وضع قفل السرعة أو إيقاف تشغيله.	<ul style="list-style-type: none"> <li>زر قفل السرعة متضرر.</li> </ul>	<ul style="list-style-type: none"> <li>تواصل مع قسم خدمة العملاء بشركة EGO لإصلاح العيب.</li> </ul>
يتم تقليل سرعة الهواء بشكل ملحوظ.	<ul style="list-style-type: none"> <li>شحن البطارية منخفض.</li> <li>مروحة المحرك متهالكة بشكل زائد.</li> <li>منخل الهواء مسدود بالعوالق.</li> </ul>	<ul style="list-style-type: none"> <li>اشحن مجموعة البطارية.</li> <li>تواصل مع مركز صيانة شركة EGO لإصلاح العيب.</li> <li>اخلع مجموعة البطارية، ثم نظفها من العوالق.</li> </ul>
شاشة LCD لا تعمل بشكل صحيح.	<ul style="list-style-type: none"> <li>شاشة LCD أو توصيلات الأسلاك متضررة.</li> </ul>	<ul style="list-style-type: none"> <li>تواصل مع مركز صيانة شركة EGO لإصلاح العيب.</li> </ul>
يومض مؤشر LED واحد من مقياس الوقود على شاشة LCD.	<ul style="list-style-type: none"> <li>شحن البطارية منخفض.</li> </ul>	<ul style="list-style-type: none"> <li>اشحن مجموعة البطارية.</li> </ul>

## الضمان

### سياسة ضمان EGO

تصاحبا لةلم الكلالم الكلالو طورشلا لىل ع فرعتلال [egopowerplus.eu](http://egopowerplus.eu) ينورتكللال عقوملا لرايزب لصفنت EGO. نامض قسلا يسب

شخصية، أو تلف المنتج بسبب حدوث دائرة قصر (ماس كهربائي)، لا تتم مطلقاً بغمر الآلة أو مجموعة البطارية أو الشاحن في السوائل أو السماح للسوائل بالتدفق إلى داخلهم. قد تسبب السوائل المسببة للتآكل أو الموصلة للكهرباء، مثل ماء البحر، وبعض المواد الكيميائية المتاحة تجارياً، والمبيضات أو المنتجات المحتوية على مبيضات، وما شابههم في حدوث دائرة قصر (ماس كهربائي).

## التخزين

- اخلع مجموعة (مجموعات) البطارية من المنفاخ.
- نظف فتحات دخول الهواء الخاصة بالمنفاخ من جميع المواد الغريبة.
- قم بتثبيت مشبك التخزين العمودي لتعليق أنبوب المنفاخ على هيكل منفذ البطارية (الشكل K).
- يجب تخزين المنتج في مكان مغلق لا يمكن الوصول إليه من قبل الأطفال. احتفظ بالمنتج بعيداً عن المواد المسببة للتآكل مثل كيماويات الحديقة وملح إذابة الجليد.

K-1 مشبك التخزين العمودي

## حماية البيئة

لا تتخلص من المعدات الكهربائية أو البطارية المستهلكة أو الشاحن في النفايات المنزلية! بل توجه بهذا المنتج إلى مركز إعادة تدوير معتمد ليكون متاحاً للفرز بشكل منفرد. تجب إعادة الآلات الكهربائية إلى مرفق إعادة تدوير صديق للبيئة.



J-1	زر مصباح LED	J-2	مصباح LED
-----	--------------	-----	-----------

## تكنولوجيا الاتصالات

للتعرف على المعلومات الخاصة بالمجموعة الكاملة من المنتجات والخدمات القابلة للاتصال، بما في ذلك تعليمات تنفيذ الاتصال، يرجى مسح رمز الاستجابة السريعة (QR) أدناه أو تفضل بزيارة الموقع الإلكتروني:  
[www.egopowerplus.eu/connect](http://www.egopowerplus.eu/connect)



## نصائح خاصة باستخدام المنفاخ

- لمنع تناثر العوالق، قم بالنفخ حول الحواف الخارجية لكومة العوالق. لا تقم بتوجيه الهواء مباشرة نحو منتصف كومة العوالق.
- لخفض مستويات الصوت، عليك تقليل عدد أجزاء المعدات المستخدمة في كل مرة.
- استخدم الجرافات والمكانس لتفكيك العوالق قبل نفخها. في الظروف المترية، بلل الأسطح قليلاً عند توافر الماء.
- انتبه للأطفال والحيوانات الأليفة أو النوافذ المفتوحة أو السيارات المغسولة حديثاً، واحرص على نفخ العوالق بشكل آمن.
- بعد استخدام المنفاخ والمعدات الأخرى، قم بالتنظيف! تخلص من العوالق كما ينبغي.

## الصيانة

**تحذير:** استخدم فقط قطع غيار أصلية عند إجراء أعمال الصيانة. لأن استخدام أي أجزاء أخرى قد ينشأ عنه خطر أو يتسبب في تعرض المنتج للتلوث. لضمان السلامة والاعتمادية، يجب تنفيذ جميع أعمال الإصلاح من قبل فني خدمة مؤهل.

**تحذير:** لتجنب التعرض لإصابات خطيرة، احرص دائماً على خلع البطارية من المنتج عند تنظيفه أو إجراء أي أعمال صيانة عليه.

## الصيانة العامة

تجنب استخدام المنظفات عند تنظيف الأجزاء البلاستيكية. غالبية المكونات البلاستيكية تكون سريعة التأثر بالأنواع المختلفة للمنظفات الموجودة بالسوق، وقد تتلف نتيجة استخدامها عليها. استخدم قطعة قماش نظيفة لإزالة الأوساخ والأثرية والزيت والشحم وما شابههم.

**تحذير:** لا تسمح في أي وقت من الأوقات بلامسة سائل الفرامل أو البنزين أو المنتجات القائمة على البنزول أو الزيت المتغلغل أو ما شابههم للأجزاء البلاستيكية. لأن المواد الكيميائية قد تتسبب في تلف الأجزاء البلاستيكية أو ضعفها أو تدميرها، وهو ما قد يؤدي إلى وقوع إصابات خطيرة.

**تحذير:** للحد من خطر نشوب حريق، أو التعرض لإصابات

بم التحكم في سرعة هواء المنفاخ باستخدام زناد السرعة المتغيرة. كلما زاد الضغط على الزناد، ارتفعت سرعة النفخ؛ وكلما قلّ الضغط على الزناد، انخفضت سرعة النفخ. اضبط السرعة بحيث تلائم المهمة التي تقوم بها. سيتم عرض مؤشر سرعة الهواء المقابل على شاشة LCD.

اترك زناد سرعة الهواء لإيقاف المنفاخ. سيتم إيقاف تشغيل شاشة LCD خلال فترة زمنية معينة بعد تحرير الزناد.

**ملاحظة:** إذا تم استخدام مجموعة بطاريات بسعة أقل من 4 أمبير في الساعة، فإن سرعة الهواء تقتصر على شريطين فقط.

## وضع "تربو"

في أثناء الضغط مع التثبيت على زناد سرعة الهواء، اضغط على زر وضع "تربو" لزيادة تدفق الهواء إلى السرعة القصوى (الشكل 11). سيؤدي كل من مؤشر وضع "تربو" وأيقونة المروحة على شاشة LCD (الشكل 13).

**ملاحظة:** سيعود المنفاخ إلى العمل بالسرعة السابقة عند تحرير زر وضع "تربو".

## وضع قفل السرعة

يمكن استخدام قفل السرعة لتشغيل المنفاخ من دون الضغط المستمر على زناد سرعة الهواء.

1. اضغط إلى أسفل على زناد سرعة الهواء إلى أن تصل إلى السرعة المطلوبة (الشكل 11).
2. اضغط على زر قفل السرعة. ستضيء أيقونة قفل السرعة على شاشة LCD (الشكل 14).
3. ثم حرر زناد سرعة الهواء، وسيستمر المنفاخ في العمل على السرعة "المروحة".

**ملاحظة:** يمكن أن يؤدي الضغط على زر وضع "تربو" في أثناء وجودك في وضع قفل السرعة إلى تثبيت سرعة الهواء عند الحد الأقصى. سيعود المنفاخ إلى العمل بالسرعة السابقة عند الضغط على زر وضع "تربو" مرة واحدة.

4. لتحرير قفل السرعة، اضغط على زر قفل السرعة مرة أخرى. سوف تختفي أيقونة قفل السرعة عن شاشة LCD، وسيتم إيقاف تشغيل المنفاخ.

11-1	زر وضع "تربو"	11-2	زر قفل السرعة
11-3	زناد سرعة الهواء	12-1	مقياس الوقود
12-2	مؤشر سرعة الهواء	12-3	أيقونة البطارية
13-1	أيقونة المروحة	13-2	مؤشر وضع "تربو"
14-1	أيقونة قفل السرعة		

## مصباح LED (الشكل J)

مصباح LED موجود في مقدمة مقبض التحكم. حيث يقدم إضاءة لروية أوضح.

اضغط على زر مصباح LED مرة واحدة لتشغيل المصباح، واضغط عليه مرة أخرى لإيقاف تشغيل المصباح. سيتم أيضاً إيقاف تشغيله تلقائياً بعد حوالي 5 دقائق من عدم استخدام المنفاخ.

7. توجد عدة أحزمة عاكسة للضوء لضمان التشغيل الآمن. تأكد من عدم تغطية الأحزمة العاكسة للضوء في أثناء التشغيل (الشكل F8).
8. **لخلع الحماله عن ظهرك**، ما عليك سوى الضغط على إبرزم الخصر لتحريره وخفض المنفاح (الشكل F9).

F1-1	الأحزمة	F1-2	لوحة الحمل على الظهر
F2-1	أحزمة الكتف	F2-2	خطوط أفقية
F3-1	وسادة دعم القطنية	F4-1	أحزمة الصدر
F5-1	أحزمة الخصر	F5-2	إبرزم الخصر
F5-3	الأحزمة الجانبية	F7-1	مرن
F7-2	طول إضافي للحزام	F8-1	أحزمة عاكسة للضوء

### ضبط مقبض التحكم

1. حرر ذراع التحرير السريع لتحريك مقبض التحكم إلى الأمام أو الخلف حسب الحاجة (الشكلان G1 و G2)، ثم استخدم ذراع التحرير السريع لتثبيت المقبض في مكانه.
2. يمكنك أيضاً تدوير المقبض بحسب الحاجة لمزيد من الراحة (الشكل G3).

G1-1	مقبض التحكم	G1-2	ذراع التحرير السريع
------	-------------	------	---------------------

### ضبط طول أنبوب مقبض التحكم (الشكلان H1 و H2)

1. حرر ذراع التحرير السريع (الشكل H1).
2. حرك أنبوب المنفاح إلى وضع تشغيل مريح في نطاق الضبط (الشكل H2).
3. قم بتعشيق ذراع التحرير السريع لتأمين أنبوب المنفاح في مكانه (الشكل H2).

H1-1	ذراع التحرير السريع	H2-1	أنبوب المنفاح
H2-2	نطاق الضبط		

### بدء تشغيل/إيقاف المنفاح

- ملاحظة:** قد لا يمكن بدء تشغيل المنفاح كما ينبغي إذا كانت درجة حرارة مجموعة البطارية أو المنفاح 15- درجة مئوية أو أقل. في هذه الحالة، قم بإزالة مجموعة البطارية من المنفاح، واترك مجموعة البطارية والمنفاح ليبرد في مكان داخل المنزل لمدة 10 دقائق أو أكثر. أعد تثبيت مجموعة البطارية في مكانها، ثم أعد المحاولة.

### زناد سرعة الهواء (الشكلان I1 و I2)

- اضغط على زناد سرعة الهواء لتشغيل المنفاح، ثم ستعرض شاشة LCD مقياس الوقود وأيقونة البطارية ومؤشر سرعة الهواء.
- ملاحظة:** يومض مؤشر LED واحد من مقياس الوقود على شاشة LCD عندما يكون مستوى شحن البطارية منخفضاً.

- ⚠ تحذير:** احرص دائماً على الانتباه لموقع قدميك أو الأطفال أو الحيوانات الأليفة عند الضغط على زر تحرير البطارية. فقد تقع إصابات خطيرة إذا سقطت البطارية. لا تقم أبداً بخلع البطارية وأنت في مكان شاهق الارتفاع.

E1-1	عدد منافذ البطارية	E1-2	شاشة LCD
E1-3	أيقونة البطارية	E2-1	دعامة البطارية
E2-2	فتحة التركيب	E2-3	زر تحرير البطارية

### ضبط وضع المنفاح المحمول على الظهر

- ⚠ تحذير:** احرص على ارتداء ملابس ملائمة للحد من خطر التعرض لإصابات أثناء تشغيل هذه الآلة. لا ترتد ملابس أو مجوهرات غير ثابتة. ارتد أدوات حماية العينين والأذنين/السمع. احرص على ارتداء بنطال طويل قوي، وحذاء ذي رقبة، وقفازات. لا ترتد بناطيل قصيرة أو صنادل أو أن تكون حافي القدمين.

قبل استخدام المنفاح (بالور) المحمول على الظهر، تأكد من أن المشغل يرتدي أدوات حماية للعينين وملابس مناسبة ويمكنه الحفاظ على مواضع أقدام ثابتة ومتوازنة.

### لضبط حمالة الدعم

1. اسحب حزامي لوحة الحمل على الظهر للتأكد من تثبيت الحزام بشكل آمن على لوحة الحمل على الظهر (الشكل F1).
2. قم بضبط وسادات الظهر ووسادة دعم القطنية لتناسب راحتك إذا لزم الأمر.

■ فك أحزمة الكتف، ثم أزل الوسادات الخلفية من شريط فيلكرو "Velcro" وحرك الوسادات إلى الوضع المطلوب، ثم اسحب أحزمة الكتف لتثبيت الوسادات على حقيبتك (الشكل F2).

**ملاحظة:** تساعد الخطوط الأفقية الموجودة على وسادات الظهر على ضبط كلتا الوسادتين عند نفس المستوى.

■ قم بإزالة وسادة دعم القطنية من شريط فيلكرو "Velcro" وحرك الوسادة إلى الوضع المطلوب (الشكل F3).

3. ضع ذراعك عبر الحماله لتدعم المنفاح على ظهرك. قم بضبط أحزمة الصدر مؤقتاً على أوضاع مريحة، مع التأكد من أن مرفق ذراعك اليمنى مستريح عند الإمساك بمقبض التحكم (الشكل F4).

4. اشبك إبرزم الخصر واضبط طول أحزمة الخصر بحيث تكون الحماله مدعومة جيداً بخصرك. إذا كان من الصعب تثبيت إبرزم الخصر، فقم بضبط حزامي الجانبين على كل جانب لجعل تثبيته سهلاً (الشكل F5).

**ملاحظة:** لا ينبغي وضع الحماله في وضع مرتفع على ظهرك؛ بل يجب أن تكون أقرب إلى أوراكك عن أكتافك.

- ⚠ تحذير:** عند حدوث حالة طارئة، حرر إبرزم الخصر على الفور لخلع الحماله. هذه هي طريقة التحرير السريع.
5. أعد ضبط أحزمة الصدر لمزيد من التأمين والراحة. تأكد من ثبات الحماله بشكل آمن على ظهرك، بحيث يكون الوزن مدعوماً بحزام الخصر، ومن دون حركة زائدة عند تحريك (الشكل F6).
6. أدخل أي طول إضافي للحزام في الفتحات المطاطية (الشكل F7).

**⚠ تحذير:** احرص دائماً على خلع البطاريات من المنتج عند تجميع الأجزاء، أو عمل التعديلات، أو التنظيف، أو عند عدم الاستخدام. خلع البطاريات سيمنع بدء التشغيل غير المقصود، وهو ما قد يؤدي إلى وقوع إصابات شخصية خطيرة. قبل كل استخدام، افحص المنتج بأكمله بحثاً عن الأجزاء التالفة أو المفقودة أو المفكوك، مثل المسامير الملولبة والصواميل والمسامير والأغطية وما شابه. اربط جميع عناصر التثبيت والأغطية بإحكام، ولا تقم بتشغيل هذا المنتج إلا بعد استبدال جميع الأجزاء المفقودة أو التالفة.

## الاستخدام

■ يمكنك استخدام هذا المنتج لأغراض الموضحة أدناه:  
■ إزالة أوراق الشجر والعوالم المختلفة من المروج وأسطح توزيع العشب المجزور.

■ تنظيف الأسطح الصلبة، مثل الطرقات الخاصة والممشى.

■ المحافظة على خلو الأرضيات والطرقات الخاصة من أوراق الشجر وأوراق شجر الصنوبر.

**ملاحظة:** يجب استخدام الآلة للغرض المحدد لها فقط. أي استخدام آخر يعد حالة من حالات سوء الاستخدام.

## تركيب/خلع مجموعة البطارية

لا تستخدم الآلة إلا مع مجموعات بطارية وشواحن EGO المدرجة في الشكل A2.

راجع دلائل تشغيل البطاريات والشواحن ذات الصلة للتعرف على مزيد من التفاصيل.

## اشحن البطارية بالكامل قبل الاستخدام لأول مرة.

**ملاحظة:** لتحقيق أفضل أداء، نوصي باستخدام مجموعة بطارية EGO من الطراز BA3360T بجهد 56 فولت (سعة 6.0 أمبير في الساعة) أو أي مجموعات بطارية أخرى من EGO بجهد 56 فولت ذات سعة عالية.

يحتوي المنفاخ على منفذين لتنشيط للبطارية على الجانب الأيسر والأيمن من هيكل منفذ البطارية.

**ملاحظة:** يمكن أن يعمل المنفاخ ببطارية واحدة أو ببطاريتين. استخدام بطاريتين يمنحك وقت تشغيل أطول وكفاءة استهلاك للطاقة أعلى تتم إدارتها من خلال تقنية PEAK POWER™. عندما يتم إدخال مجموعات البطاريات في منافذ البطارية المخصصة المميزة بالرقم 1 أو 2 في لوحة الحمل على الظهر، ويتم تشغيل المنفاخ، سيضيء رمز البطارية المقابل على شاشة LCD (الشكل E1).

## للتثبيت (الشكل E2)

قم بمحاذاة دعومات البطارية مع فتحات التركيب في أحد المنفذين، واضغط على مجموعة البطارية إلى أسفل إلى أن تسمع صوت "نقرة". قم بتركيب البطارية الأخرى.

## للخلع

اضغط إلى أسفل على زر تحرير البطارية، واسحب مجموعة البطارية إلى الخارج.

المرن إلى أن يتلامس سطح الطرف الخلفي مع سطح نهاية مشبك المفصل المرن (الشكل B3).

4. يمكن إغلاق مشبك المفصل المرن بالكامل عندما يتم توصيل أنبوب مقبض التحكم بالمفصل المرن بشكل صحيح. قم بإحكام ربط مسامير مشبك المفصل المرن (الشكل B4).

B1-1	حمالة الدعم	B1-2	المفصل المرن
B2-1	مسامير	B2-2	فتحة
B2-3	لسان	B2-4	مشبك المفصل المرن
B3-1	أنبوب مقبض التحكم	B3-2	الطرف الخلفي
B3-3	سطح الطرف الخلفي	B3-4	سطح طرف مشبك المفصل المرن

## توصيل أنبوب المنفاخ في أنبوب مقبض التحكم

1. قم بفك وإزالة ذراع التحرير السريع والصامولة المجنحة من مجموعة مشبك الأنابيب المثبتة في أنبوب المنفاخ (الشكل C1).
2. قم بمحاذاة التجويف الموجود في أنبوب المنفاخ مع الدعامة الموجودة في أنبوب مقبض التحكم، أدخل أنبوب المنفاخ في أنبوب مقبض التحكم حتى النهاية (الشكل C2).
3. أدخل دبوس ذراع التحرير السريع، وأغلق الذراع على مشبك الأنابيب (الشكل C3).
4. اربط الصامولة المجنحة لتثبيت مشبك الأنابيب (الشكل C4).

C1-1	أنبوب المنفاخ	C1-2	مشبك الأنبوب
C1-3	ذراع التحرير السريع	C1-4	صامولة مجنحة
C2-1	تجويف أنبوب المنفاخ	C2-2	دعامة أنبوب مقبض التحكم

## توصيل الفوهة المخروطية في أنبوب المنفاخ

1. قم بمحاذاة التجويف الموجود بالفوهة مع اللسان الموجود بالأنبوب. ادفع الفوهة في الأنبوب إلى أن تثبت في مكانها بإحكام (الشكل D1).
2. لإزالة الفوهة، اضغط مع التثبيت على زر تحرير الفوهة لفتح تشبيك اللسان، ثم اسحب الفوهة إلى الخارج مباشرة من أنبوب المنفاخ (الشكل D2).

D1-1	زر تحرير الفوهة	D1-2	مزلاج
------	-----------------	------	-------

## التشغيل

**⚠ تحذير:** لا تسمح لاعتيادك على تشغيل هذا المنتج أن يجعلك مستهتراً عند التعامل معه. ولا تنس أن الاستهتار لجزء من الثانية كافٍ للتسبب في حدوث إصابات خطيرة.

**⚠ تحذير:** لا تستخدم أي مرفقات أو ملحقات سوى تلك الموصى بها من قبل الشركة الصانعة لهذا المنتج. لأن استخدام مرفقات أو ملحقات غير موصى بها قد يؤدي إلى وقوع إصابات شخصية خطيرة.

## المواصفات

4. مقبض التحكم
5. الفوهة المخروطية
6. أنبوب المنفاخ
7. مشبك الأنبوب
8. أنبوب مقبض التحكم
9. مشبك مقبض التحكم
10. مشبك المفصل المرن
11. المفصل المرن
12. منخل الهواء
13. مقبض المساعدة
14. الوصلات الكهربائية
15. مزلاج
16. أزرار تحرير البطارية
17. المقبض
18. زناد سرعة الهواء
19. زر قفل السرعة
20. مصباح LED
21. شاشة LCD
22. زر مصباح LED
23. زر وضع "تربو"
24. أذرع التحرير السريع
25. مؤشر البلوتوث
26. مقاييس الوقود
27. أيقونة المروحة
28. مؤشر وضع "تربو"
29. مؤشر سرعة الهواء
30. أيقونة قفل السرعة
31. أيقونة البطارية

الجهد الكهربائي	56 فولت
الحد الأقصى لكمية الهواء	1870 م <sup>3</sup> /ساعة
الحد الأقصى لسرعة الهواء	85 م/ثانية
الحد الأقصى لقوة النفخ	36 نيوتن
نطاق تردد تشغيل البلوتوث	2400-2438 ميغاهرتز
الطاقة القصوى لبث البلوتوث	5 ديسيبل ميلي واط
الوزن (من دون وحدة البطارية)	9.6 كجم
درجة حرارة التشغيل الموصى بها	15- 40 درجة مئوية
درجة حرارة التخزين الموصى بها	20- 70 درجة مئوية
مستوى قوة الصوت المقدّر $L_{WA}$	96 ديسيبل(أ) K=1.4 ديسيبل(أ)
مستوى ضغط الصوت عند أذن مشغل الآلة $L_{PA}$	83 ديسيبل(أ) K=3 ديسيبل(أ)
مستوى قوة الصوت المضمون $L_{WA}$ (تم قياسه وفقاً للمعيار 2000/14/EC)	98 ديسيبل(أ)
الاهتزاز $a_h$	0.25 م/ثانية <sup>2</sup> K=1.5 م/ثانية <sup>2</sup>

## التجميع

**⚠ تحذير:** إذا حدث تلف أو فقد في أي أجزاء، لا تقم بتشغيل هذا المنتج إلا بعد استبدال الأجزاء. استخدام هذا المنتج مع وجود أجزاء تالفة أو مفقود قد يؤدي إلى وقوع إصابات شخصية خطيرة.

**⚠ تحذير:** لا تحاول إجراء أي تعديلات على هذا المنتج أو ابتداء ملحقات غير موصى بها للاستخدام مع هذا المنفاخ. أي تغيير أو تعديل من هذا النوع يعتبر سوء استخدام، وقد يؤدي إلى وضع خطير قد يتسبب في وقوع إصابات شخصية خطيرة محتملة.

**⚠ تحذير:** لمنع بدء التشغيل غير المقصود، والذي قد يؤدي إلى وقوع إصابات شخصية خطيرة، احرص دائماً على خلع البطاريات من الآلة عند تجميع الأجزاء.

## تجميع أنابيب المنفاخ

### توصيل أنبوب مقبض التحكم بالمفصل المرن للمنفاخ

1. لتسهيل التجميع، ضع المنفاخ مع توجيه حمالة الدعم إلى أعلى كما هو موضح في الشكل B1.
2. قم بترك المسامير من أحد جانبي مشبك المفصل المرن وأزلهما، ثم افتح مشبك المفصل المرن جزئياً ولكن تأكد من أن اللسان الموجود على حافة المفصل المرن معشوق بالكامل في الفتحة الموجودة في المشبك (الشكل B2).
3. قم بإدخال الطرف الخلفي لأنبوب مقبض التحكم في المفصل

■ القيمة الكلية للاهتزاز الموضحة تم قياسها وفقاً لطريقة اختبار قياسية وقد تستخدم لمقارنة أداة بأخرى؛

■ كما يمكن استخدام القيمة الكلية للاهتزاز الموضحة في التقييم التمهيدي للتعرض.

**ملاحظة:** قد تختلف انبعاثات الاهتزاز أثناء الاستخدام الفعلي للآلة العاملة بالطاقة عن القيمة المعلنة التي يتم استخدام الآلة فيها؛ ولحماية مشغل الآلة، ينبغي على المستخدم ارتداء قفازات وواقبات للأذن في ظروف الاستخدام الفعلية.

## قائمة المحتويات (الشكل A1)

### الوصف

#### تعرف على المنفاخ (الشكل A1)

1. حمالة دعم قابلة للضغط
2. مشبك التخزين العمودي
3. لوحة الحمل على الظهر

## اقرأ جميع التعليمات!



**⚠ تحذير:** لضمان السلامة والاعتمادية، يجب تنفيذ جميع أعمال الإصلاح من قبل فني خدمة مؤهل.

## رموز السلامة

الغرض من رموز السلامة هو جذب انتباهك إلى المخاطر المحتملة. رموز السلامة والشروح المصاحبة لها تستحق اهتمامك وفهمك الدقيق. تحذيرات كل رمز، بنفسها، لا تمنع وقوع أي خطر. التعليمات والتحذيرات التي تمنحك إياها لا تعد بديلاً عن تطبيق الإجراءات الملائمة لمنع وقوع الحوادث.

**⚠ تحذير:** احرص على قراءة وفهم جميع تعليمات السلامة في دليل التشغيل هذا، بما في ذلك جميع رموز تنبيهات السلامة، مثل "خطر"، وتحذير، وتنبيه قبل استخدام هذه الآلة. عدم اتباع جميع التعليمات الواردة أدناه قد يؤدي إلى حدوث صدمة كهربائية أو نشوب حريق أو التعرض للإصابة الشخصية، أحدها أو جميعها.

## معنى الرمز

**⚠ رمز تنبيه السلامة:** يشير إلى خطر أو تحذير أو تنبيه، وقد يتم استخدامه بشكل متزامن مع الرموز أو الصور الكتابية الأخرى.

## تعليمات السلامة

هذه الصفحة تصف وتشرح رموز السلامة التي قد تظهر على هذا المنتج. اقرأ جميع التعليمات المذكورة على الآلة وافهمها واتبعها قبل محاولة تجميع الآلة وتشغيلها.

للحد من خطر التعرض لإصابة، ينبغي على المستخدم قراءة دليل التشغيل.		تنبيه سلامة	
ارتد دائماً نظارات الحماية المزودة بواقيات على الجانبين، وينبغي ارتداء واقي لكامل الوجه أثناء تشغيل هذا المنتج.		احرص دائماً على ارتداء أدوات حماية الأذنين عند تشغيل هذا المنتج.	
مستوى قوة الصوت المضمن. انبعاثات الضوضاء في البيئة وفقاً لتوجيه الاتحاد الأوروبي.		احتفظ بجميع الأشخاص المجاورين لك على مسافة لا تقل عن 15 متراً عن مكان العمل.	
هذا المنتج متوافق مع توجيهات شهادة الجودة الأوروبية (EC) المعمول بها.		لا يجب التخلص من الأجهزة الكهربائية المستهلكة في النفايات المنزلية. توجه بالجهاز إلى مركز إعادة تدوير معتمد.	
تقييم المطابقة في المملكة المتحدة		تيار مستمر	
رمز البلوتوث®		لا تحملق في لمبة التشغيل.	
كيلوجرام	kg	الحماية من نفثات الماء	IPX5
متر مكعب في الساعة	m³/h	الجهد الكهربائي	V
متر في الثانية	m/s	درجة مئوية	°C
		نيوتن	N



## איתור וטיפול בבעיות

בעיה	סיבה	פתרון
המפוח אינו עובד.	<ul style="list-style-type: none"> <li>מארז הסוללה איננו מחובר למפוח.</li> <li>לא מתבצע חיבור חשמלי בין המפוח לסוללה.</li> </ul>	<ul style="list-style-type: none"> <li>חברו את מארז הסוללה אל המפוח.</li> <li>הסירו את מארז הסוללה, בדקו את החיבורים והתקינו מחדש את מארז הסוללה.</li> </ul>
	<ul style="list-style-type: none"> <li>טעינת מארז הסוללה ריקה.</li> </ul>	<ul style="list-style-type: none"> <li>הטעינו את מארז הסוללה.</li> </ul>
	<ul style="list-style-type: none"> <li>מארז הסוללה או המפוח חמים מדי.</li> </ul>	<ul style="list-style-type: none"> <li>קררו את מארז הסוללה או המפוח עד לטמפרטורה של פחות מ-67°C.</li> </ul>
	<ul style="list-style-type: none"> <li>הדק מהירות אוויר פגום.</li> </ul>	<ul style="list-style-type: none"> <li>צרו קשר עם מחלקת שירות הלקוחות של EGO לתיקונים.</li> </ul>
	<ul style="list-style-type: none"> <li>מארז הסוללה או המפוח קרים מידי.</li> </ul>	<ul style="list-style-type: none"> <li>הסר את מארז הסוללות, אפשר למארז הסוללות ולמפוח להתחמם בתוך הבית. מומלץ לטעון את מארז הסוללות במלואו ולהפעיל את המפוח במהירות נמוכה מבלי להפעיל את מצב טורבו.</li> </ul>
<ul style="list-style-type: none"> <li>כאשר הדק מהירות האוויר נלחץ, רק שני סמלי מהירות האוויר התחתונים מוצגים על גבי מסך ה-LCD.</li> </ul>	<ul style="list-style-type: none"> <li>חבילת סוללות Ah נמוכה נמצאת בשימוש.</li> </ul>	<ul style="list-style-type: none"> <li>השתמשו במארזי סוללות hA של 4.0 ומעלה.</li> </ul>
<ul style="list-style-type: none"> <li>לא ניתן להפעיל או לכבות את מצב נעילת המהירות.</li> </ul>	<ul style="list-style-type: none"> <li>לחצן נעילת מהירות פגום.</li> </ul>	<ul style="list-style-type: none"> <li>צרו קשר עם מחלקת שירות הלקוחות של EGO לתיקונים.</li> </ul>
מהירות האוויר מופחתת במידה ניכרת.	<ul style="list-style-type: none"> <li>רמת טעינת הסוללה נמוכה.</li> <li>בלאי מוגבר של מאוורר המנוע.</li> </ul>	<ul style="list-style-type: none"> <li>הטעינו את מארז הסוללה.</li> <li>צרו קשר עם שירות EGO לתיקון.</li> </ul>
	<ul style="list-style-type: none"> <li>פתח כניסת האוויר חסום על ידי פסולת.</li> </ul>	<ul style="list-style-type: none"> <li>הסירו את מארז הסוללה, ואז נקו את הפסולת.</li> </ul>
<ul style="list-style-type: none"> <li>מסך ה-LCD אינו פועל כראוי.</li> </ul>	<ul style="list-style-type: none"> <li>מסך LCD או חיבור חוטי פגומים.</li> </ul>	<ul style="list-style-type: none"> <li>צרו קשר עם שירות EGO לתיקון.</li> </ul>
<ul style="list-style-type: none"> <li>נורית LED אחת של מד הדלק במסך ה-LCD מהבהבת.</li> </ul>	<ul style="list-style-type: none"> <li>רמת טעינת הסוללה נמוכה.</li> </ul>	<ul style="list-style-type: none"> <li>הטעינו את מארז הסוללה.</li> </ul>

## אחריות

### מדיניות האחריות של EGO

ניתן לבקר באתר [egopowerplus.eu](http://egopowerplus.eu) כדי לעיין בתנאים וההתניות המלאים של מדיניות האחריות של EGO.

HE

233

## הגנה על הסביבה

אין לזרוק ציוד חשמלי, מטעני סוללות וסוללות ביחד עם אשפה ביתית! קחו מוצרים אלו למרכז מחזור מוסמך ו-וודאו שהם זמינים לאיסוף נפרד. יש להחזיר כלים חשמליים אל מתקן מחזור המתאים לסביבה.



השליכו את הפסולת כראוי.

## תחזוקה

**⚠ אזהרה:** במקרה של עבודות תיקון, השתמש רק בחלקי חילוף זהים. שימוש בחלקי חילוף אחרים עלול לגרום לסכנה או נזק למוצר. על מנת להבטיח בטיחות ואמינות, יש לבצע את כל התיקונים וההחלפות בעזרת טכנאי שירות מוסמך.

**⚠ אזהרה:** על מנת למנוע פציעות אישיות, הסירו תמיד את הסוללה מן המוצר לפני הניקיון או ביצוע כל עבודת תחזוקה.

## תחזוקה כללית

הימנע משימוש בממסים כאשר אתה מנקה את חלקי הפלסטיק. רוב חלקי הפלסטיק עלולים להינזק מסוגים שונים של ממסים מסחריים ועל ידי השימוש בהם. השתמשו במטלית נקיה על מנת להסיר לכלוך, אבק, שמן, חומר סיכה וכו'.

**⚠ אזהרה:** לעולם אל תאפשרו לנוזלי בלימה, בנזין, מוצרים מבוססי בנזין, שמנים וכו' לבוא במגע עם חלקי פלסטיק. חומרים כימיים עלולים להזיק, להחליש או להרוס את הפלסטיק והדבר עלול לגרום לפגיעה אישית חמורה.

**⚠ אזהרה:** על מנת להפחית את הסיכוי לשרפה, פגיעה אישית ולא לגרום לנזק בשל קצר חשמלי, לעולם אין לטבול את המכונה, את הסוללה או את המטען בתוך נוזלים ואין לאפשר לנוזלים כלשהם לזרום לתוכם. נוזלים הגורמים לקורוזיה או נוזלים מולכים, כגון מי ים, כימיקלים תעשייתיים מסוימים ומלבינים או מוצרים המכילים מלבינים, עלולים לגרום לקצר.

## אחסון

- הסירו את מארז(י) הסוללה מהמפוח.
- נקו את כל החומרים הזרים מפתחי כניסת האוויר של המפוח.
- הצמד את אבזם האחסון הזקוף כדי לחבר את צינור המפוח לבית יציאת הסוללה (איור K).
- אחסנו את הכלי במקום סגור הרחק מהישג ידם של ילדים. הרחיקו מחומרים הגורמים לקורוזיה כגון כימיקלים לגינה ומלחים מסירי קרח.

אבזם אחסון זקוף	K-1
-----------------	-----

כפתור הטורבו.

4. כדי לשחרר את נעילת המהירות, לחצו שוב על לחצן נעילת המהירות. סמל נעילת המהירות ייעלם ממסך ה-LCD והמפוח יכבה.

לחצן נעילת מהירות	I1-2	לחצן טורבו	I1-1
מד דלק	I2-1	הדק מהירות האוויר	I1-3
סמל סוללה	I2-3	מחונן מהירות-אוויר	I2-2
מחונן טורבו	I3-2	סמל מאוורר	I3-1
		סמל נעילת מהירות	I4-1

### תאורת LED (איור J)

נורית ה-LED ממוקמת בחלק הקדמי של ידית הבקרה. היא מספקת תאורה להגברת הראות. לחצו על לחצן תאורת ה-LED פעם אחת כדי להדליק את האור, לחצו עליו שוב כדי לכבות את האור. היא גם תכובה באופן אוטומטי לאחר כ-5 דקות של חוסר פעילות של המפוח.

J-1	לחצן אור לד	J-2	תאורת LED
-----	-------------	-----	-----------

### טכנולוגיית תקשורת

למידע עבור המגוון המלא של המוצרים והשירותים המחוברים שלנו, כולל הוראות חיבור, אנא סרקו את קוד ה-QR למטה או בקרו בכתובת [www.egopowerplus.eu/connect](http://www.egopowerplus.eu/connect).



### טיפים לשימוש במפוח

- כדי להימנע מפזור הפסולת, נשפו סביב הקצוות החיצוניים של ערימת פסולת. לעולם אל תנשפו ישירות למרכז הערימה.
- להפחתת רמות הרעש, הגבילו את מספר חלקי הציוד המשמשים בבת אחת.
- השתמשו במגרפות ומטאטאים לשחרור הפסולת לפני השימוש במפוח. בתנאי אבק, הרכיבו מעט את המשטחים אם יש מים בנמצא.
- שימו לב לילדים, חיות מחמד, חלונות פתוחים או מכונות שה עתה נשטפו, ונשפו את הפסולת הרחק משם בבטחה.
- לאחר שימוש במפוחים או בציוד אחר, נקו אחריכם!

H1-1	מנוף לשחרור הידית	H2-1	צינור המפוח
H2-2	אזור התאמה		

### הפעלה/כיבוי של המפוח

**הערה:** ייתכן שהמפוח לא יופעל כראוי אם טמפרטורת מארז הסוללות או המפוח היא  $15^{\circ}\text{C}$  או פחות. במקרה זה, יש להסיר את מארז הסוללות מהמפוח, לאפשר למארז הסוללות ולמפוח להתחמם בתוך הבית למשך 10 דקות או יותר. התקינו מחדש את מארז הסוללות ונסו שוב.

### הדק מהירות אוויר (איור I1 ו-I2)

■ לחצו על הדק מהירות האוויר כדי להפעיל את המפוח, ואז מסך ה-LCD יציג את מד הדלק, את סמל הסוללה ואת מחונן מהירות האוויר.

**הערה:** נורית LED אחת של מד הדלק במסך ה-LCD מהבהבת כאשר טעינת הסוללה נמוכה.

■ מהירות האוויר של המפוח מבוקרת על ידי הדק המהירות המשתנה. לחץ נוסף על ההדק גורם למהירויות נשיפה גבוהות יותר, לחץ מופחת על ההדק גורם למהירויות נשיפה נמוכות יותר. התאימו את המהירות כך שתתאים למשימה הנוכחית. מחונן המהירות האוויר המתאים יוצג על גבי מסך ה-LCD.

■ שחררו את הדק מהירות האוויר כדי לכבות את המפוח. מסך ה-LCD יכבה תוך פרק זמן מסוים לאחר שחרור ההדק.

**הערה:** אם נעשה שימוש במארז סוללות מתחת ל-4 Ah, מהירות האוויר מוגבלת לשני בר בלבד.

### מצב טורבו

בזמן שהדק מהירות האוויר נלחץ ומוחזק, לחצו על לחצן הטורבו כדי להגביר את זרימת האוויר למהירות המרבית (איור I1). הן מחונן הטורבו והן סמל המאוורר מוארים על גבי מסך ה-LCD (איור I3).

**הערה:** המפוח יחזור למהירות הקודמת עם שחרור כפתור הטורבו.

### מצב נעילת מהירות

ניתן להשתמש בנעילת המהירות כדי להפעיל את המפוח ללא ללחץ ברציפות על הדק מהירות האוויר.

1. לחצו על הדק מהירות האוויר עד שתגיעו למהירות הרצויה (איור I1).
2. לחצו על לחצן נעילת המהירות. סמל נעילת המהירות יאיר על גבי מסך ה-LCD (איור I4).
3. לאחר מכן שחררו את הדק מהירות האוויר, המפוח ימשיך לפעול במהירות ה"רצויה".

**הערה:** לחיצה על כפתור הטורבו במצב נעילת מהירות יכולה לנעול את מהירות האוויר אל הרמה המרבית. המפוח יחזור למהירות הקודמת כאשר תלחצו שוב על

בעת החזקת ידית הבקרה (איור F4).  
 4. הצמידו את אבזם המותניים וכווננו את אורך רצועת המותניים כך שהתרמיל ייתמך היטב באזור המותניים. אם אבזם המותניים קשה להצמדה, כווננו את שתי רצועות הצד בכל צד כדי להקל עליו (איור F5).

**הערה:** הרתמה לא אמורה לשבת במיקום גבוה מידי על גבכם, עליה להיות מונחת קרוב יותר למותניים מאשר לכתפיים.

**⚠ אזהרה:** במקרה חירום, שחררו מיד את אבזם המותניים כדי להסיר את הרתמה. זוהי שיטת שחרור מהיר.

5. כווננו מחדש את רצועות החזה לביטחון ונוחות. וודאו שהרתמה יושבת בבטחה על גבכם, כשהמשקל נתמך על ידי רצועת המותן, וללא תזוזה יתירה כאשר אתם זזים (איור F6).

6. הכניסו כל אורך נוסף של הרצועות לתוך החלק האלסטי (איור F7).

7. ישנם מספר רצועות מחזירות אור להפעלה בטוחה. יש להקפיד שלא לכסות את הפסים מחזירי האור במהלך ההפעלה (איור F8).

8. **לניתוק הרתמה מהגב,** פשוט לחצו על אבזם המותניים כדי לשחרר אותו והורידו את המפוח (איור F9).

F1-1	רצועות	F1-2	לוחית תרמיל
F2-1	רצועת כתף	F2-2	קווים אופקיים
F3-1	כריות מותניים	F4-1	רצועות חזה
F5-1	רצועות מותניים	F5-2	אבזם מותן
F5-3	רצועות צד	F7-1	אלסטי
F7-2	אורך עודף של הרצועה	F8-1	רצועות מחזירות אור

### על מנת להתאים את ידית הבקרה

1. שחררו את הידית לשחרור מהיר כדי להזיז את ידית הבקרה קדימה או אחורה לפי הצורך (איור G1 ו-G2) ולאחר מכן הפעילו את ידית השחרור המהיר כדי לאבטח את ידית הבקרה במקומה.
2. תוכלו גם לסובב את הידית לפי הצורך למען נוחותכם (איור G3).

G1-1	ידית בקרה	G1-2	מנף לשחרור הידית
------	-----------	------	------------------

### על מנת להתאים את אורך הצינור של ידית הבקרה (איור H1, H2)

1. שחררו את ידית השחרור המהיר (איור H1).
2. הזיזו את צינור המפוח למצב הפעלה נוח בתוך אזור ההתאמה (איור H2).
3. הפעילו את ידית השחרור המהיר כדי לאבטח את צינור המפוח במקומו (איור H2).

כאשר מארזי הסוללות מוכנסים ליציאות הסוללה המתאימות המסומנות ב-1 או 2 על גבי לוחית התרמיל, והמפוח מופעל, סמל הסוללה המתאים יאר על מסך ה-LCD (איור E1).

### להצמדה (איור E2)

יישרו את עורקי הסוללה עם חריצי ההרכבה ולחצו את מארז הסוללה כלפי מטה עד הישמע "קליק". חברו את הסוללה השנייה.

### הסרה

לחצו על כפתור שחרור הסוללה והסירו את מארז הסוללה.

**⚠ אזהרה:** שימו לב תמיד אל המיקום של הרגליים שלכם, מיקום ילדים או חיות מחמד, בעת לחיצה על כפתור שחרור הסוללה. עלולה להיגרם פציעה חמורה אם הסוללה תיפול. לעולם אל תסירו את הסוללה במקומות גבוהים.

E1-1	מספר יציאות סוללה	E1-2	מסך DCL
E1-3	סמל סוללה	E2-1	עורק הסוללה
E2-2	חריץ הרכבה	E2-3	כפתור שחרור סוללה

### הצבת מפוח הגב

**⚠ אזהרה:** לבשו בגדים מתאימים על מנת להפחית את הסיכון לפציעות בעת השימוש במכונה זו. אין ללבוש בגדים רפויים או תכשיטים. השתמשו בהגנה לעיניים / אוזניים. לבשו מכנסיים כבדים, ארוכים, מגפיים וכפפות. אל תלבושו מכנסיים קצרים, סנדלים ואל תפעילו כאשר אתם יחפים.  
 לפני השימוש במפוח התרמיל, יש לוודא כי המפעיל לובש מגני עיניים וביגוד מתאים ויכול לשמור על בסיס בטוח ומאוזן.

### להתאמת רתמת התמיכה

1. משכו את שתי רצועות לוחית התרמיל כדי לוודא שהרתמה מחוברת היטב ללוחית התרמיל (איור F1).
  2. כווננו את רפידות הגב ואת כרית המותניים לנוחותכם לפי הצורך.
- שחררו את רצועות הכתפיים, קלפו את כריות הגב מהסקוטש והזיזו את הכריות לתנוחה הרצויה, ואז משכו את רצועות הכתפיים כדי להדק את הכריות לתרמיל (איור F2).

**הערה:** הקווים האופקיים ברפידות האחוריות מסייעים לכוונן את שתי הרפידות באותה רמה.

- קלפו את כרית המותניים מהסקוטש והזיזו את הכרית למיקום הרצוי (איור F3).
- 3. השחילו את זרועותכם דרך רצועות הכתפיים כדי לתמוך במפוח על גבכם. התאימו זמנית את רצועות החזה למיקום נוח, וודאו שמרפק זרוע ימין מרגיש בנוח

D1-1	לחצן לשחרור זרבובית	D1-2	בריח
------	---------------------	------	------

## הרכבת צינורות המפוח

### חיבור צינור ידית הבקרה למפוח

- להרכבה נוחה, הניחו את המפוח כאשר רתמת התמיכה פונה כלפי מעלה כפי שמוצג באיור B1.
- שחררו והסירו את שני הברגים מצד אחד של מהדק המפוח, פתחו חלקית את מהדק המפוח אך ודאו שהלשונית בשולי המפוח משולבת במלואה בחריץ שבמהדק (איור B2).
- הכניסו את הקצה האחורי של צינור ידית הבקרה למפוח עד שהמשטח האחורי ייגע במשטח המהדק של המפוח (איור B3).
- מהדק המפוח יכול להיסגר לחלוטין כאשר צינור ידית הבקרה מחובר כראוי למפוח. הדקו היטב את ברגי מהדק המפוח (איור B4).

B1-1	רתמת תמיכה	B1-2	מפוחים
B2-1	ברגים	B2-2	חריץ
B2-3	לשונית	B2-4	מהדק מפוחים
B3-1	צינור ידית בקרה	B3-2	קצה אחורי
B3-3	משטח קצה אחורי	B3-4	קצה משטח מהדק המפוח

### חיבור צינור המפוח לצינור ידית הבקרה

- שחררו והסירו את ידית השחרור המהיר ואת אום הכנף ממכלול הידוק הצינור הצמוד לצינור המפוח (איור C1).
- יישרו את החריץ בצינור המפוח עם הצלע על צינור ידית הבקרה, החליקו את צינור המפוח מעל צינור ידית הבקרה עד כמה שניתן (איור C2).
- הכניסו את הסיכה של ידית השחרור המהיר וסגרו את הידית על מהדק הצינור (איור C3).
- הדקו את אום הכנף כדי לאבטח את מהדק הצינור (איור C4).

C1-1	צינור המפוח	C1-2	מהדק צינור
C1-3	מנוף לשחרור הידית	C1-4	אום כנף
C2-1	חריץ של צינור מפוח	C2-2	עורק צינור ידית הבקרה

### חיבור הזרבובית המחוודת לצינור המפוח

- יישרו את החריץ בזרבובית עם הבריח על גבי הצינור. דחפו את הזרבובית מעל הצינור עד שהיא תינעל במקומה (איור D1).
- על מנת להסיר את הזרבובית, לחצו והחזיקו את לחצן שחרור הפיה כדי לנתק את הבריח, ואז משכו את הפיה הישר מצינור המפוח (איור D2).

## הפעלה

**⚠ אזהרה:** אל תניח לעובדה שאתה מכיר את המוצר להפוך אותך לפחות זהיר. זכור שחוסר זהירות של שבריר אחד של שנייה מספיק כדי לגרום לפגיעה אישית חמורה.

**⚠ אזהרה:** אין לעשות שימוש בחיבורים או אביזרים אשר לא הומלצו על ידי יצרן מוצר זה. השימוש בחיבורים או אביזרים אשר לא הומלצו עלול לגרום לפגיעה חמורה.

**⚠ אזהרה:** הסירו תמיד את הסוללות מן המכשיר בעת הרכבת חלקים, ביצוע התאמות, ניקיון או כאשר המכשיר אינו נמצא בשימוש. על מנת למנוע הפעלה מקרית אשר עלולה להוביל לפגיעה אישית חמורה, הסירו תמיד את הסוללות מן המכשיר.

לפני כל שימוש בדקו את כל המוצר עבור חלקים פגומים, משוחררים או חסרים, כגון ברגים, אומים, בריחים, מכסים וכו'. הדקו בבטחה את כל האבזמים והמכסים ואל תפעילו את המוצר עד אשר חלקים חסרים או ניזוקים תוקנו או הוחלפו.

## יישום

- ניתן להשתמש במוצר אך ורק לצורך המטרות המפורטות להלן:
- פינוי עלים ופסולת חצר שונות ממדשאות ומיטות גבבה.
- פינוי משטחים קשים, כגון דרכי גישה ברגל או ברכב.
- שמירה על דרכי גישה ומשטחי עץ פנויים מעלים ומחטי אורן.

**הודעה:** יש להשתמש במכשיר רק עבור המטרות להן הוא יועד. כל שימוש אחר ייחשב לשימוש בלתי הולם.

### הצמדה/הסרה של מארז הסוללה

יש להשתמש רק במארזי הסוללה והמטענים של EGO המפורטים באיור A2. עיינו במדריכי הסוללות והמטענים התואמים לפרטים נוספים.

### יש לבצע הטענה מלאה לפני השימוש הראשון.

**הערה:** לקבלת הביצועים הטובים ביותר, אנו ממליצים להשתמש במארז הסוללה EGO 56V BA3360T (6.0 Ah) או במארזי סוללות EGO אחרים של 56V עם דירוג Ah גבוה יותר.

למפוח שתי יציאות סוללה פעילות הנמצאות בצד שמאל וימין של תא יציאת הסוללות.

**הערה:** המפוח יכול לפעול עם סוללה אחת או עם שתי סוללות. שימוש בשתי סוללות מעניק לכם זמן הפעלה ארוך יותר וצריכת חשמל יעילה המנוהלת על ידי טכנולוגיית PEAK POWER™.

## רשימת אריזה (איור A1)

## מפרטים

### תיאור

#### הכירו את המפוח שלכם (איור A1)

1. רתמת תמיכה הניתנת להתאמה
2. אבזם אחסון זקוף
3. לוחית תרמיל
4. ידית בקרה
5. פיה מחודדת
6. צינור המפוח
7. מהדק צינור
8. צינור ידית בקרה
9. מהדק ידית בקרה
10. מהדק מפוחים
11. מפוחים
12. פתח כניסת אוויר
13. ידית עזר
14. חיבורים חשמליים
15. בריח
16. לחצני שחרור סוללה
17. ידית
18. הדק מהירות האוויר
19. לחצן נעילת מהירות
20. תאורת LED
21. מסך LCD
22. לחצן אור לד
23. לחצן טורבו
24. ידיות לשחרור מהיר
25. מחוון BLUETOOTH
26. מד דלק
27. סמל מאוורר
28. מחוון טורבו
29. מחוון מהירות-אוויר
30. סמל נעילת מהירות
31. סמל סוללה

מתח	56 V
נפח אוויר מקסימלי	1870 מ"ק"ש
מהירות האוויר המקסימלית	85 מ'/שנייה
עוצמת נשיפה מקסימלית	36 N
פס תדירות תפעול Bluetooth	2400-2438 MHz
כוח העברה מקסימלי עבור Bluetooth	5 דציבלים
משקל (ללא מארז סוללה)	9.6 ק"ג
טמפרטורת הפעלה מומלצת	-15°C עד 40°C
טמפרטורת אחסון מומלצת	-20°C עד 70°C
רמת עוצמת קול נמדדת $L_{WA}$	96 dB(A) $K=(A)dB 1.4$
רמת לחץ קול באוזן המפעיל $L_{PA}$	83 dB(A) $K=(A)dB 3$
רמת עוצמת קול מובטחת $L_{WA}$ (נמדד בהתאם ל-2000/14/EC)	98 dB(A)
רטט $a_h$	0.25 מ'/שנייה <sup>2</sup> $K=1.5$

### הרכבה

**⚠ אזהרה:** אם ישנם חלקים ניזוקים או חסרים, אל תפעילו את המכשיר עד אשר חלקים אלו יוחלפו. שימוש במכשיר זה עם חלקים פגומים או חסרים עלול לגרום לפציעה אישית חמורה.

**⚠ אזהרה:** אל תנסו לשנות את המוצר או ליצור אביזרים אשר אינם מומלצים לשימוש ביחד עם המפוח. כל שינוי שכזה או הוספה מהווה שימוש לא נכון במכשיר ועלול לגרום לתנאים מסוכנים אשר יובילו לפציעה אישית אפשרית.

**⚠ אזהרה:** על מנת למנוע הפעלה מקרית אשר עלולה להוביל לפציעה אישית חמורה, הסירו תמיד את הסוללות מן המכשיר בעת הרכבת חלקים.

ערך הרטט הכללי המוצהר נמדד בהתאם לשיטת בדיקה סטנדרטית וניתן להשתמש בו על מנת להשוות ציוד אחד עם ציוד אחר;

ניתן להשתמש בערך הרטט הכללי המוצהר בהערכה ראשונית של חשיפה.

**הודעה:** פליטת הרטט בעת השימוש המעשי בכלי יכולה להיות שונה מן הערך המוצהר כאשר הכלי נמצא בשימוש; על מנת להגן על המפעיל, על המשתמש ללבוש כפפות ומגני אוזניים בעת השימוש למעשה.

## קראו את כל ההוראות!



**⚠ אזהרה:** על מנת להבטיח בטיחות ואמינות, יש לבצע את כל התיקונים וההחלפות בעזרת טכנאי שירות מוסמך.

### סימני בטיחות

מטרתם של סמלי הבטיחות היא למשוך את תשומת לבך לסכנות אפשריות. סמלי הבטיחות וההסברים שלהם דורשים את תשומת הלב וההבנה המלאות שלך. סימני הבטיחות בעצמם לא ימנעו כל סכנה. ההוראות והאזהרות אותן הם מספקים לא תחלפנה נקיטת אמצעי מניעה מתאימים בעת תאונה.

**⚠ אזהרה:** דאוג שאתם קוראים ומבינים את כל ההוראות הבטיחות המופיעות במדריך זה למשתמש, כולל כל סימני התראות הבטיחות כגון „סכנה“, „אזהרה“ ו”זהירות“ לפני השימוש במכשיר. אי מילוי אחר כל ההוראות המופיעות למטה יכול לגרום להלם חשמלי, שרפה ו/או פציעות אישיות חמורות.

### פירוש הסימן

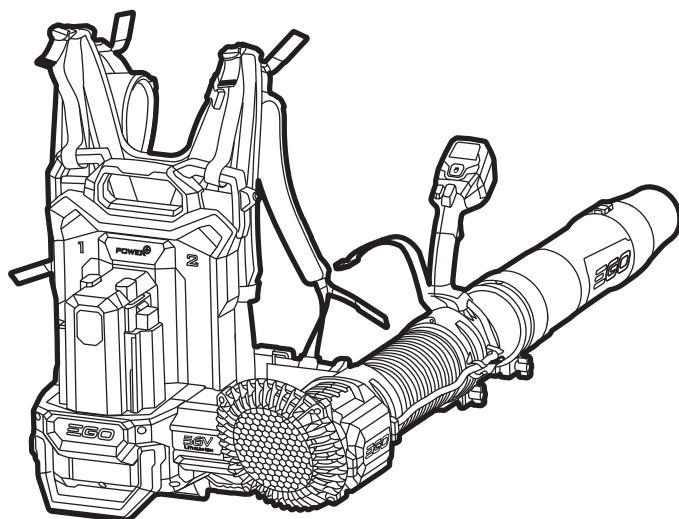
**⚠ סימן התראת בטיחות:** מצוין סכנה, אזהרה, או זהירות, יכול להיות מלווה בסימנים או תמונות אחרים.

### הוראות בטיחות

עמוד זה מצוין ומתאר את סימני הבטיחות העשויים להופיע על גבי המוצר. קראו, הבינו ועקבו אחר ההוראות המופיעות על המכשיר לפני כל ניסיון להרכיב ולהשתמש בו.

כדי להפחית את הסיכון לפציעות, יש לקרוא את המדריך למשתמש.		התראת בטיחות	
חבשו תמיד משקפי מגן או משקפי בטיחות עם הגנה צדדית, ובעת הצורך, הגנה עבור כל הפנים, בעת הפעלת מוצר זה.		השתמשו תמיד במגני אזניים בעת הפעלת מוצר זה.	
רמת עוצמת קול מובטחת. פליטת רעש אל הסביבה בהתאם לתקנת האיחוד האירופי.		הרחיקו אנשים אחרים למרחק של 15 מ' לפחות.	
מוצר זה תואם לתקנת ה-CE הרלוונטיות.		אין לזרוק מוצרים חשמליים עם האשפה הביתית. יש להביא את המכשיר למרכז מחזור מוסמך.	
הערכת התאמה בבריטניה		זרם ישיר	
סמל Bluetooth®		אין להביט ישירות על נורת ההפעלה.	
קילוגרם	ג"ק	הגנה מפני זרנוקי מים	IPX5
מ"ר לשעה	m <sup>3</sup> /h	מתח	V
מטר לשנייה	היינש/מ	צלזיוס	°C
		ניוטון	N

# EGO™ PRO X



**LBPX1100**

HE מפוח גב אלחוטי בעל סוללת ליתיום-יון 56 וולט

AR منفاخ لاسلكي محمول على الظهر ببطارية  
ليثيوم-أيون 56 فولت

